



US00D961974S

(12) **United States Design Patent**
Shen

(10) **Patent No.:** **US D961,974 S**

(45) **Date of Patent:** **** Aug. 30, 2022**

(54) **OFFICE CHAIR**

(71) Applicant: **Dongguan ChangYu Furniture Co. Ltd, Dongguan (CN)**

(72) Inventor: **Guicheng Shen, Dongguan (CN)**

(**) Term: **15 Years**

(21) Appl. No.: **29/744,976**

(22) Filed: **Aug. 3, 2020**

(51) **LOC (13) Cl.** **06-01**

(52) **U.S. Cl.**

USPC **D6/716**

(58) **Field of Classification Search**

USPC D6/334, 366, 367, 372, 373, 374, 379,
D6/380, 716.1, 716.4

CPC A47C 1/02; A47C 1/022; A47C 1/024;
A47C 3/12; A47C 3/18; A47C 3/026;
A47C 7/18; A47C 7/36; A47C 7/40;
A47C 7/46

See application file for complete search history.

(56) **References Cited**

U.S. PATENT DOCUMENTS

D695,538 S * 12/2013 Geelen D6/366
D781,604 S * 3/2017 Smith D6/366

D801,717 S * 11/2017 Barber D6/366
D863,802 S * 10/2019 Wang D6/366
D908,381 S * 1/2021 Breen D6/366
D913,004 S * 3/2021 Chen D6/366
D931,640 S * 9/2021 Feng D6/366
D936,984 S * 11/2021 Deevers D6/366
D936,985 S * 11/2021 Deevers D6/366
D937,595 S * 12/2021 Deevers D6/366

* cited by examiner

Primary Examiner — R. Johnson

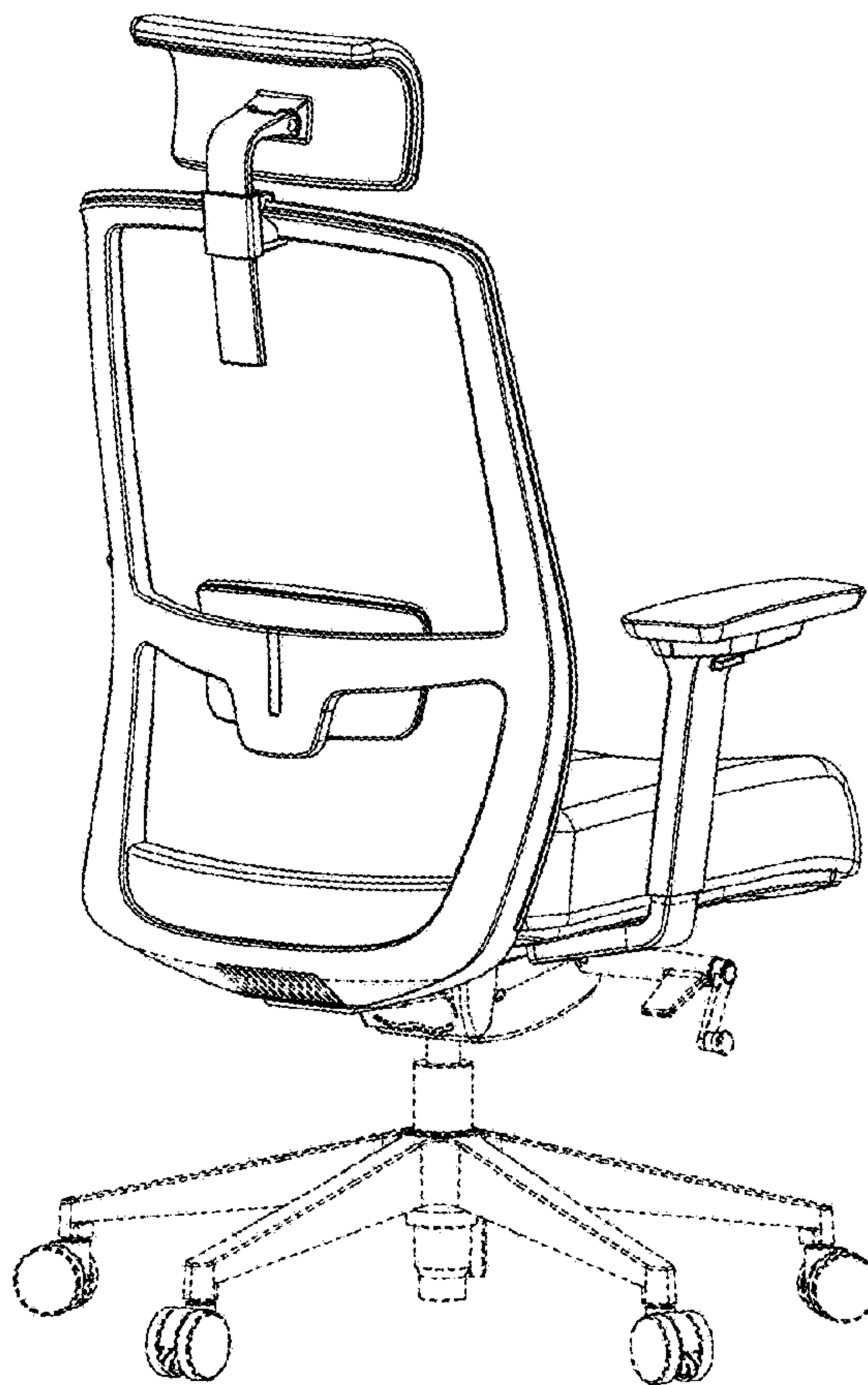
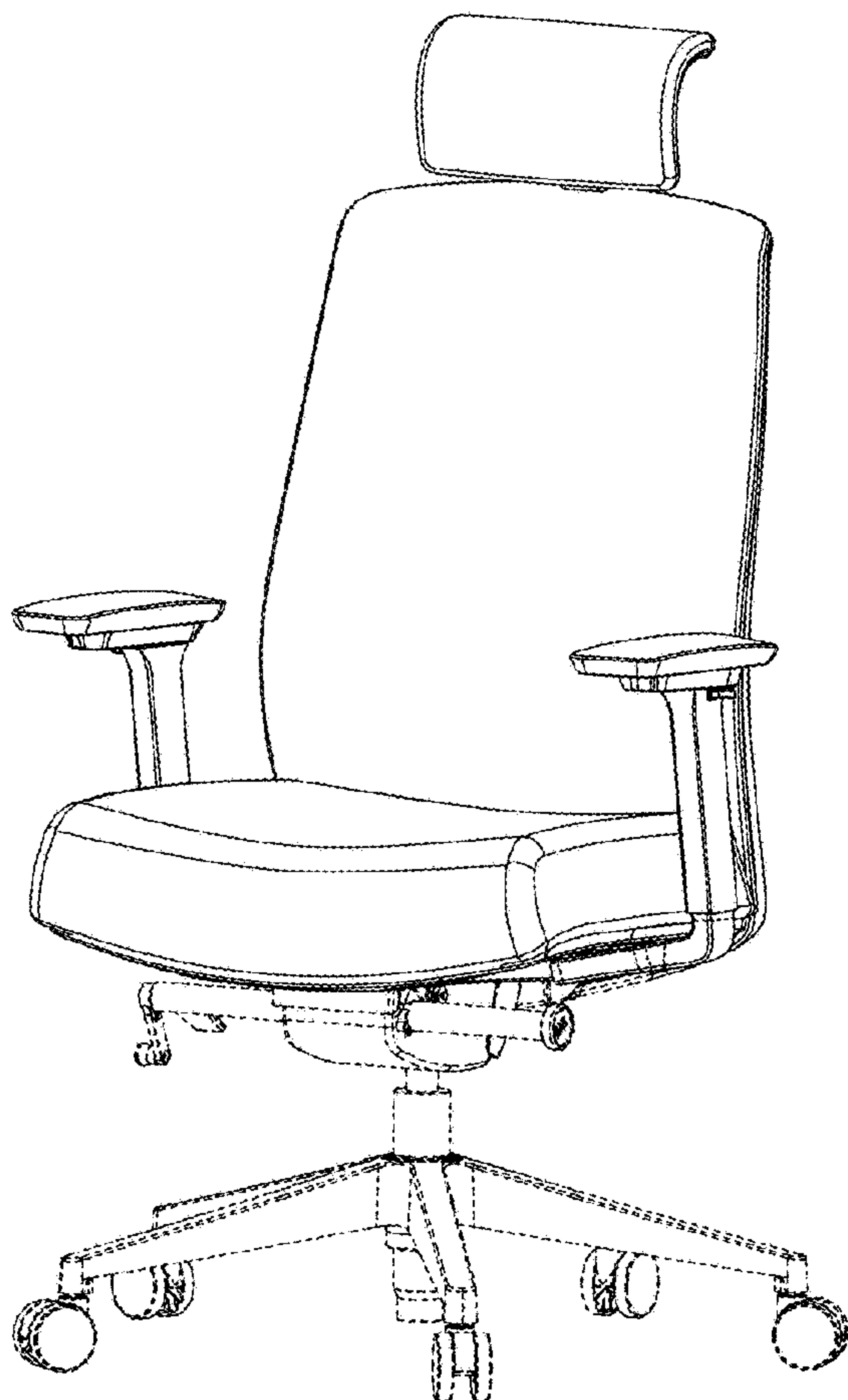
(57) **CLAIM**

The ornamental design for an office chair, as shown and described.

DESCRIPTION

FIG. 1 is a front perspective view of an office chair showing the claimed new design;
FIG. 2 is a rear perspective view thereof;
FIG. 3 is a front elevational view thereof;
FIG. 4 is a rear elevational view thereof;
FIG. 5 is a right elevational view thereof;
FIG. 6 is left elevational view thereof;
FIG. 7 is a top plan view thereof; and,
FIG. 8 is a bottom plan view thereof.
The broken lines represent the portions of the office chair that form no part of the claimed design.

1 Claim, 8 Drawing Sheets



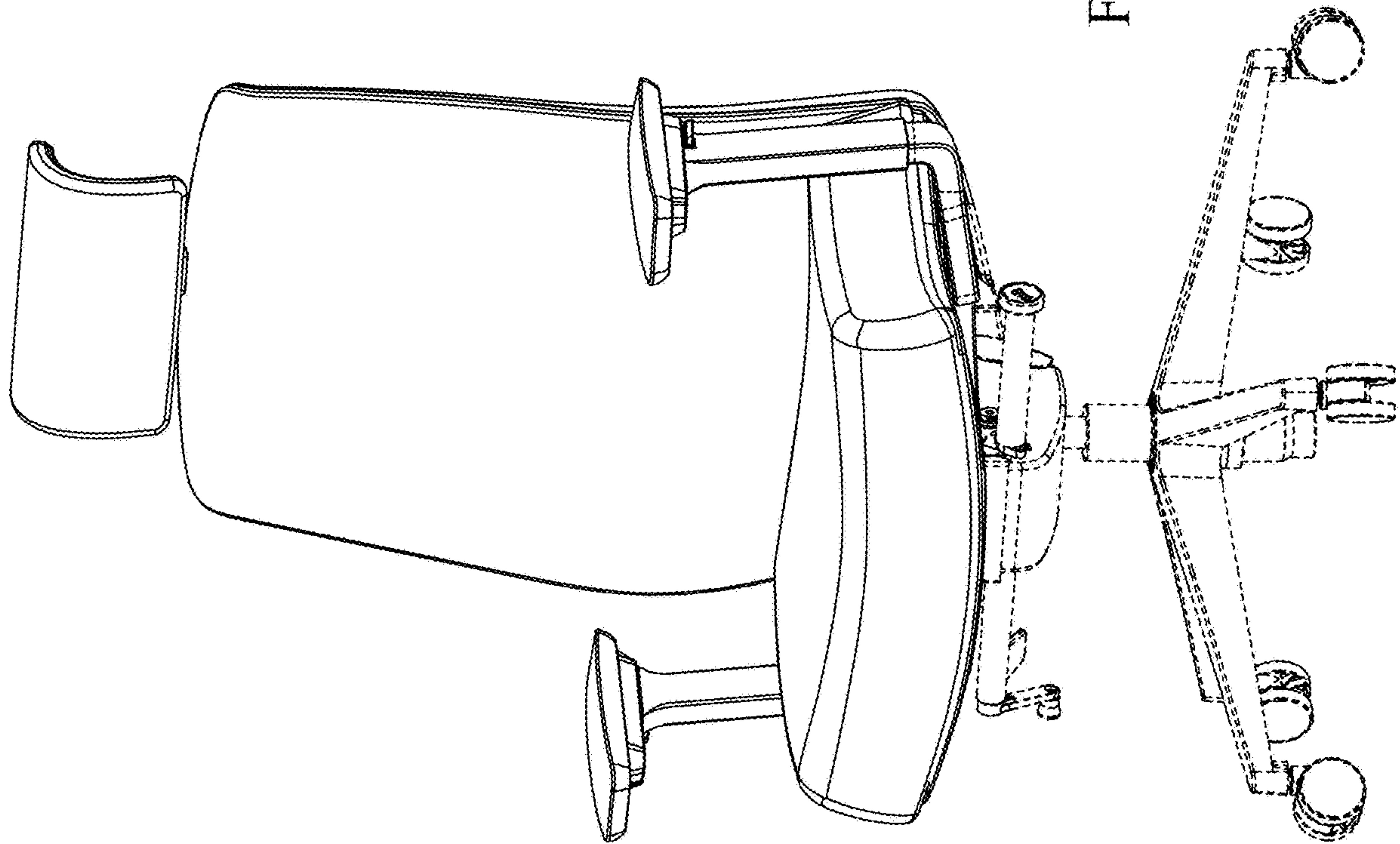


Fig. 1

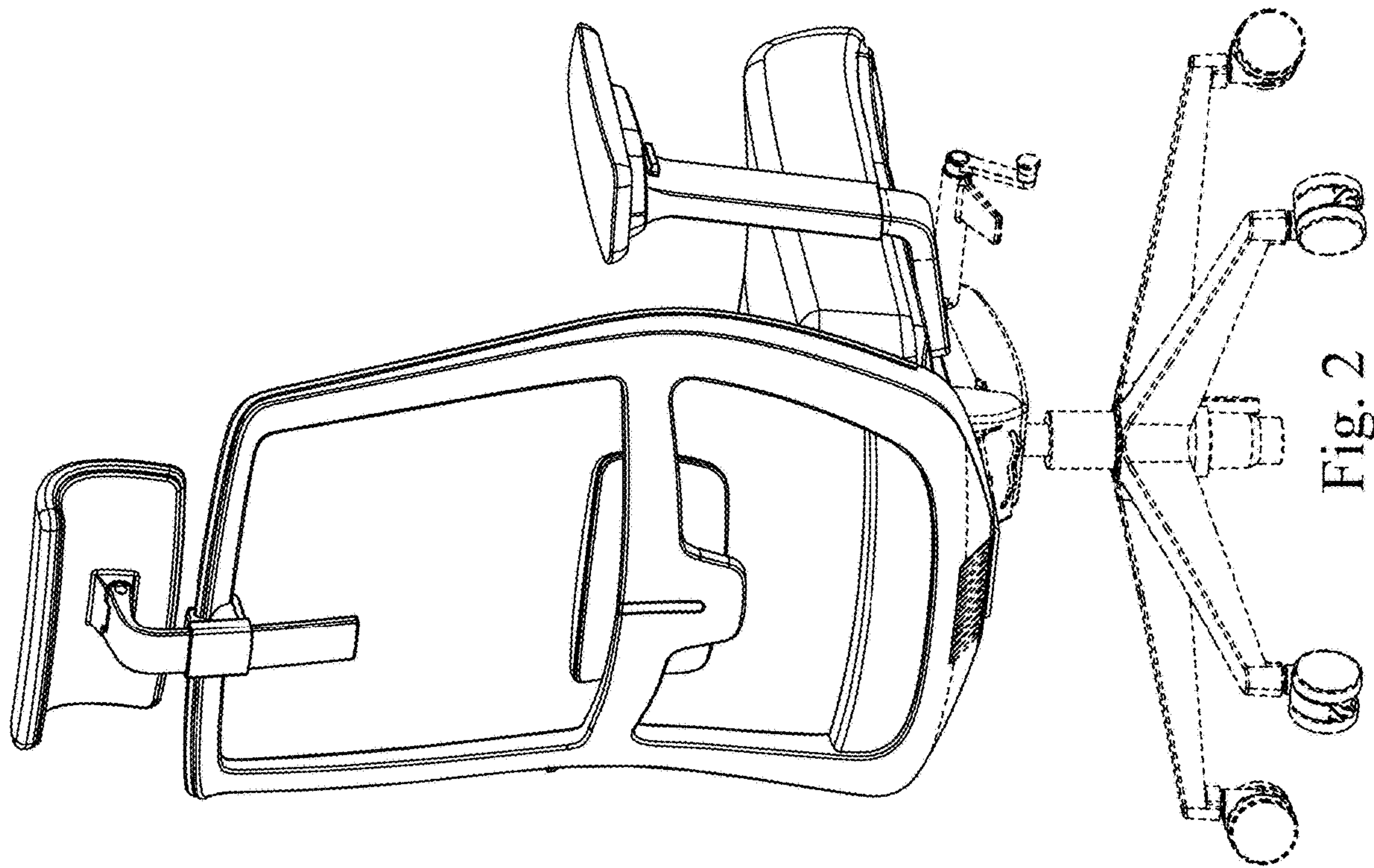


Fig. 2

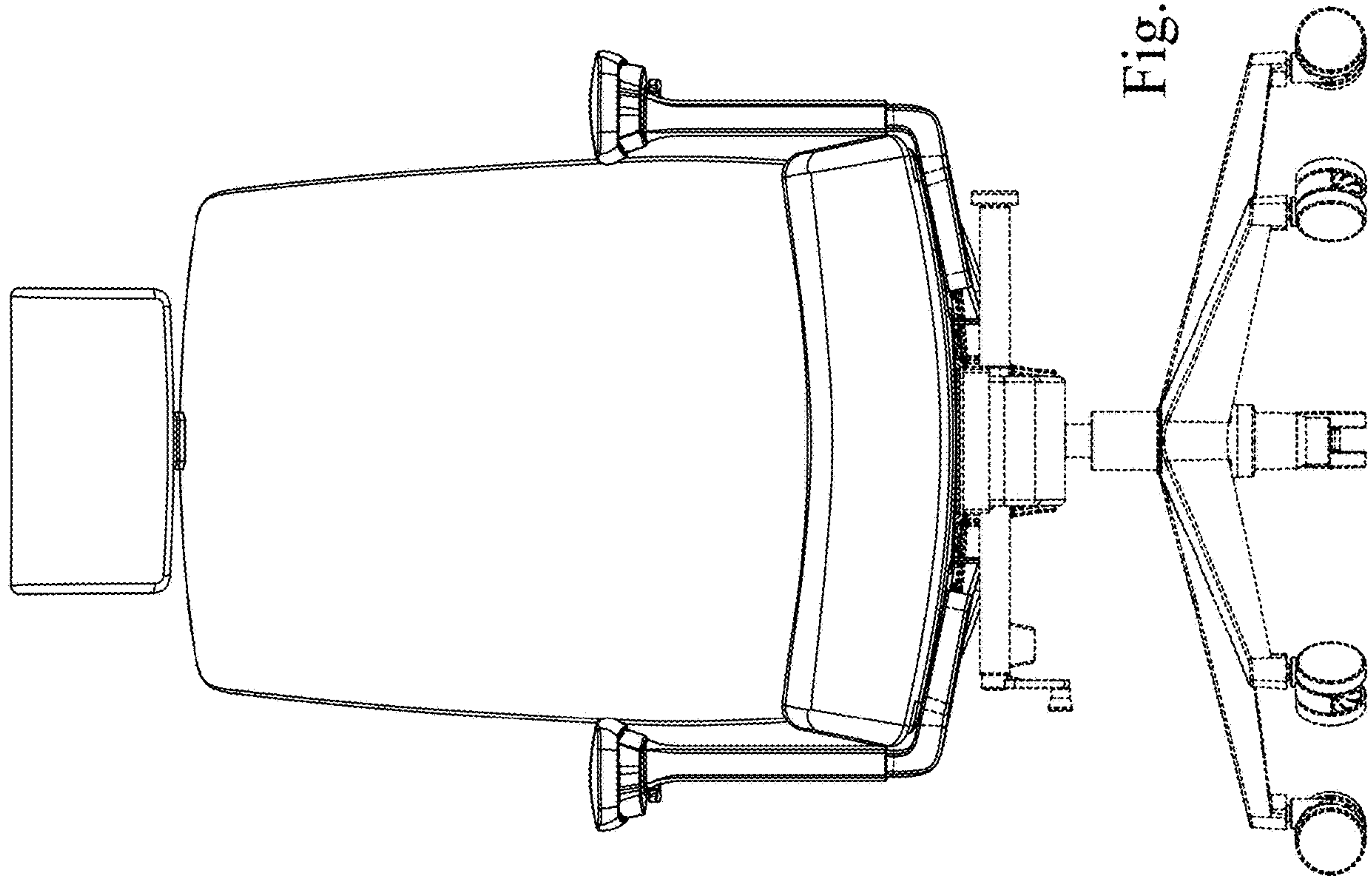


Fig. 3

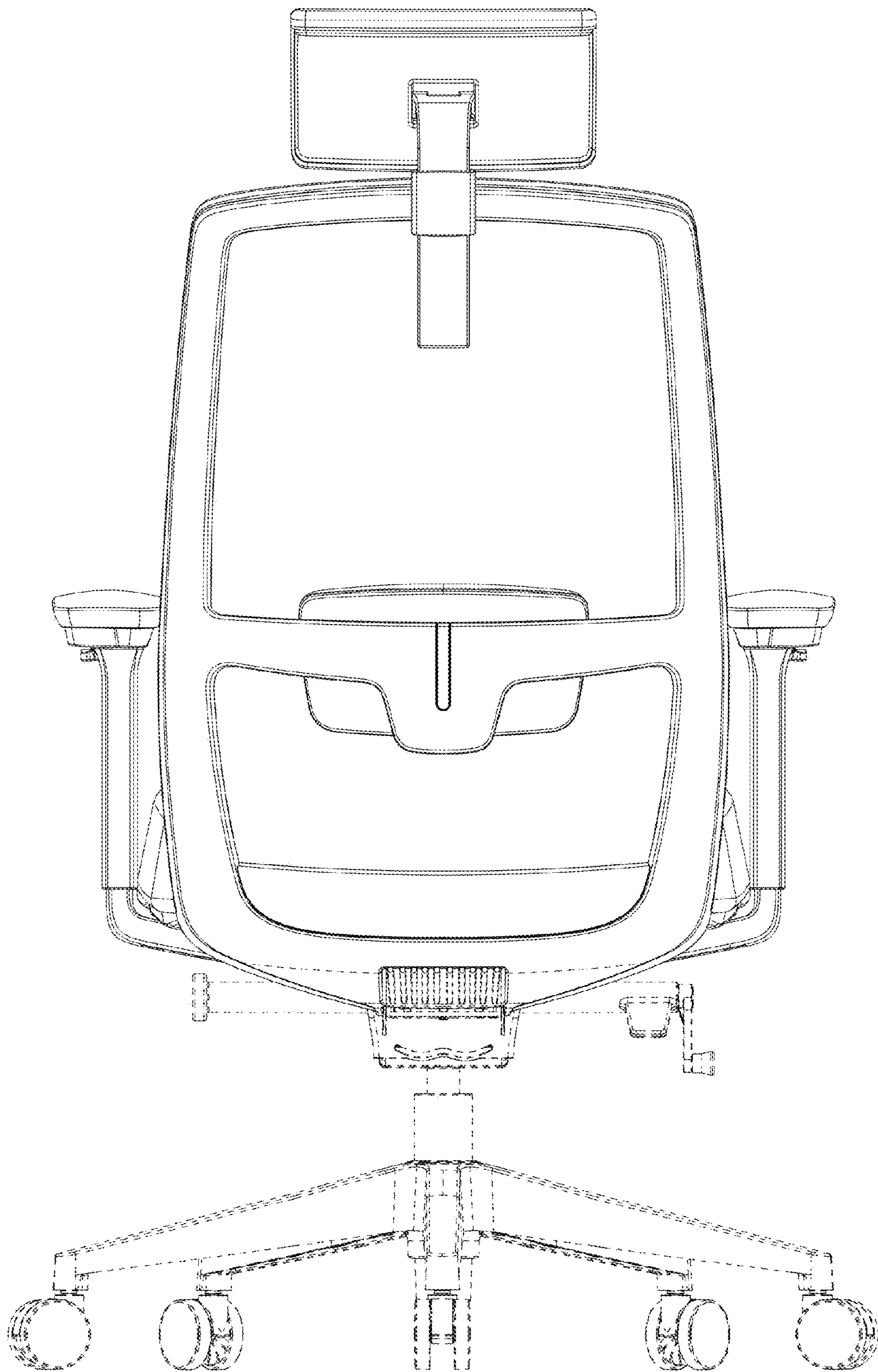
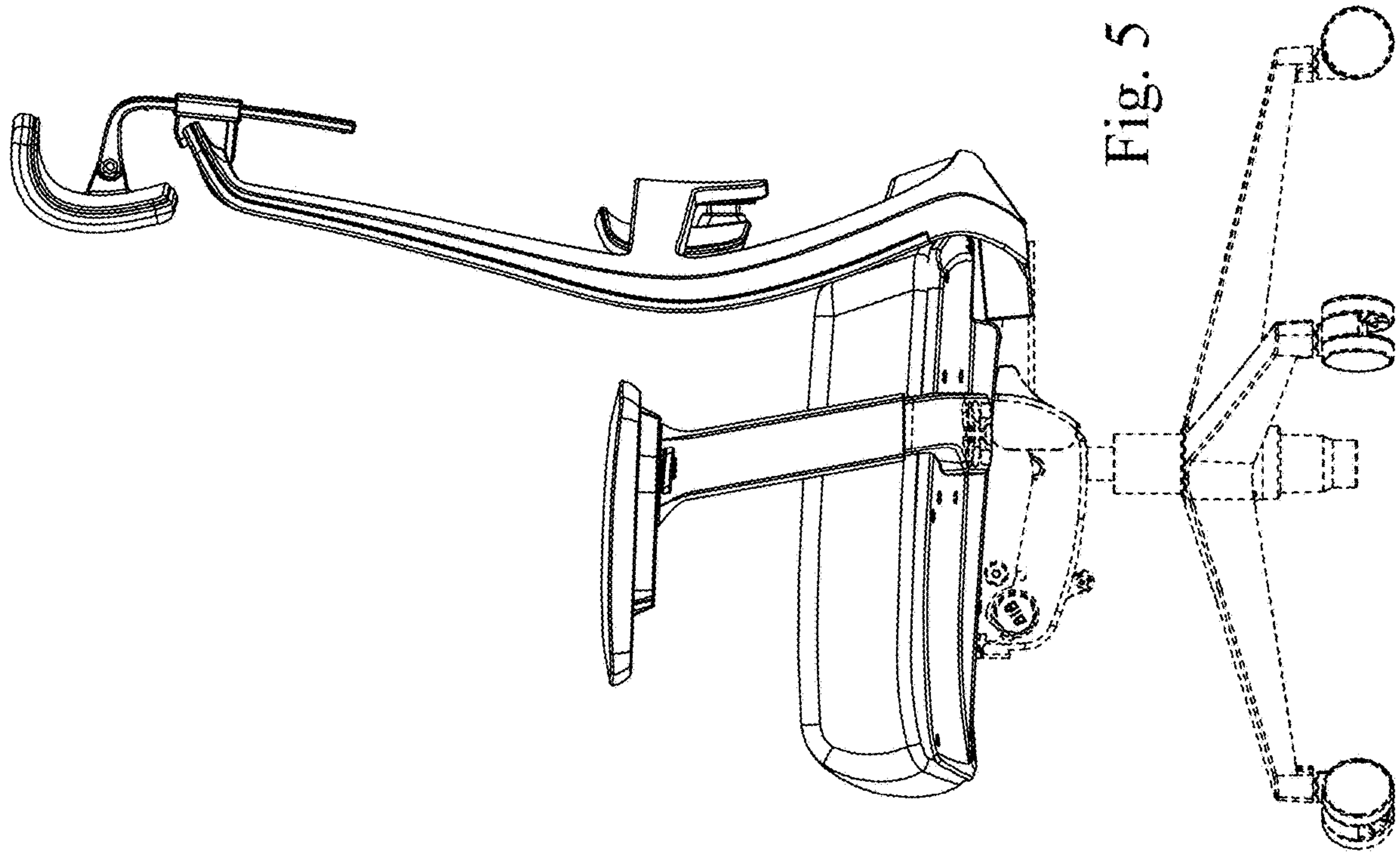


Fig. 4



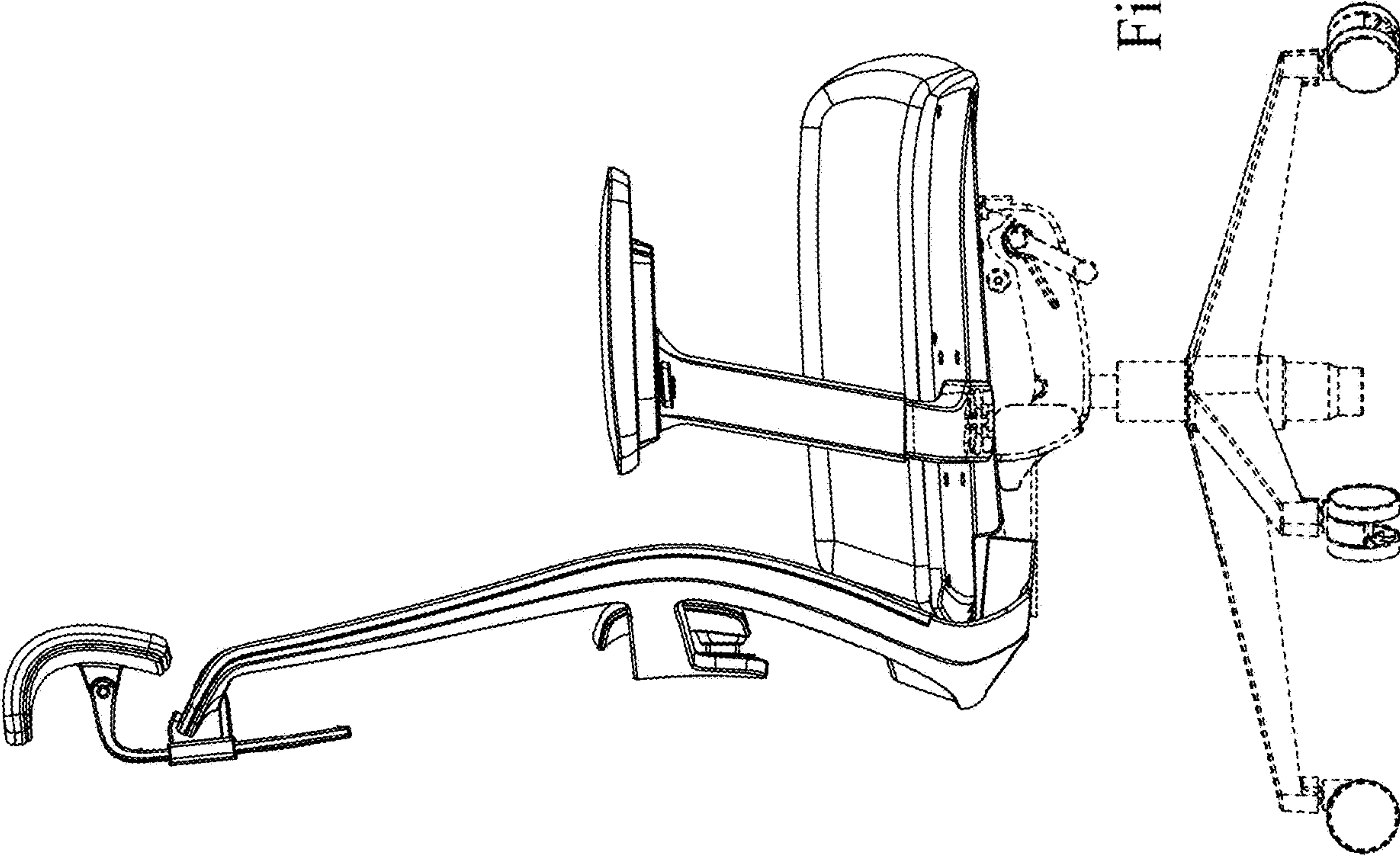


Fig. 6

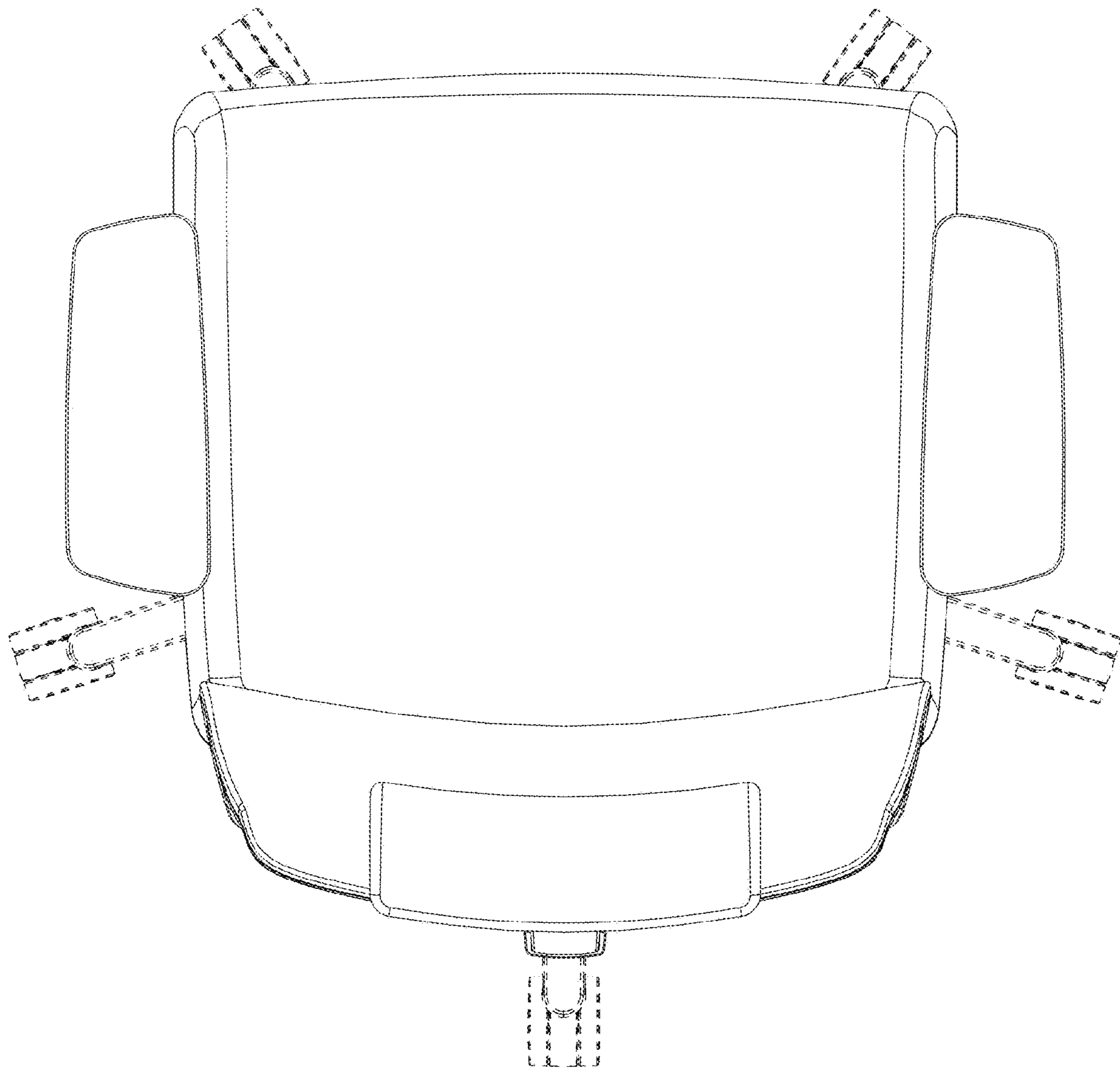


Fig. 7

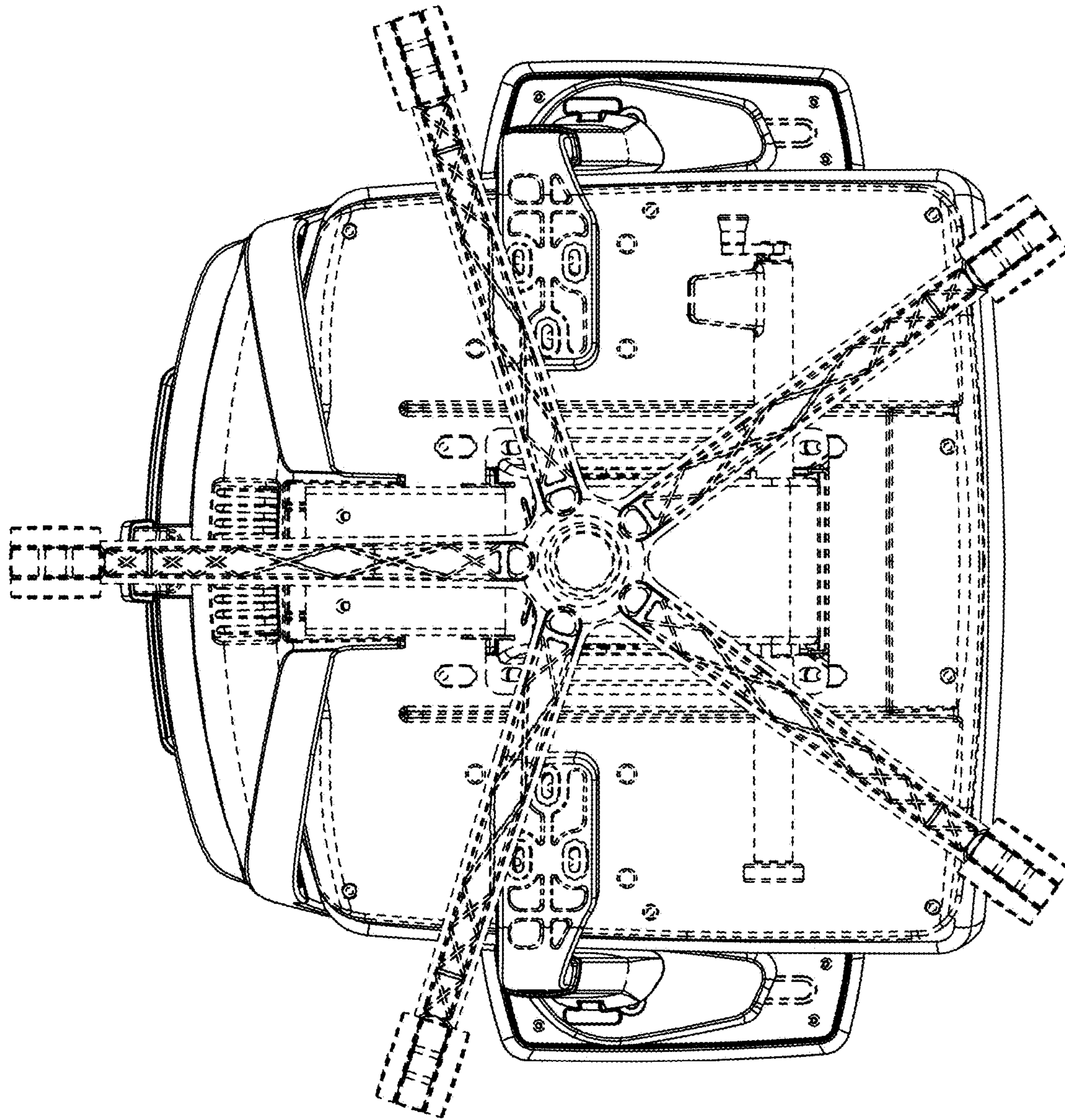


Fig. 8