



US00D961972S

(12) **United States Design Patent**  
**Elkarat et al.**

(10) **Patent No.:** **US D961,972 S**

(45) **Date of Patent:** **\*\* Aug. 30, 2022**

(54) **SHELF DIVIDER FOR DIVIDING SHELF OR TRAY**

D843,149 S \* 3/2019 Nilsson ..... D6/706  
D885,813 S \* 6/2020 Snell ..... D6/706  
D929,163 S \* 8/2021 Au ..... D6/706

(71) Applicant: **GRADUATE PLASTICS, INC.**,  
Miami, FL (US)

\* cited by examiner

(72) Inventors: **Ilan Elkarat**, Rehovot (IL); **Michael Peretz Ben Asher**, Tel Aviv (IL)

*Primary Examiner* — Abraham Bahta

(74) *Attorney, Agent, or Firm* — Daniel S. Polley, P.A.

(73) Assignee: **GRADUATE PLASTICS, INC.**,  
Miami, FL (US)

(57) **CLAIM**

The ornamental design for a shelf divider for dividing a shelf or a tray, as shown and described.

(\*\*) Term: **15 Years**

(21) Appl. No.: **29/762,697**

**DESCRIPTION**

(22) Filed: **Dec. 17, 2020**

(51) **LOC (13) Cl.** ..... **06-06**

(52) **U.S. Cl.**  
USPC ..... **D6/706**

(58) **Field of Classification Search**  
USPC ..... D6/706, 332, 512, 705.7, 329, 574;  
D8/380, 381, 349; D25/120, 126;  
108/60; 312/348.3; 211/153, 184, 183,  
211/59.1, 59.2, 86.01, 90.01, 175  
CPC ..... A47F 5/005; A47F 5/0068; A47F 5/0043;  
A47B 57/58; A47B 57/583; A47B 57/585  
See application file for complete search history.

FIG. 1 is a top perspective view of the shelf divider for dividing a shelf or a tray showing my new design; FIG. 2 is a bottom perspective view thereof; FIG. 3 is a top view thereof; FIG. 4 is a bottom view thereof; FIG. 5 is a front view thereof; FIG. 6 is a back view thereof; FIG. 7 is a right side view thereof; FIG. 8 is a left side view thereof; and, FIG. 9 is a front perspective view thereof, the shelf divider shown in use.

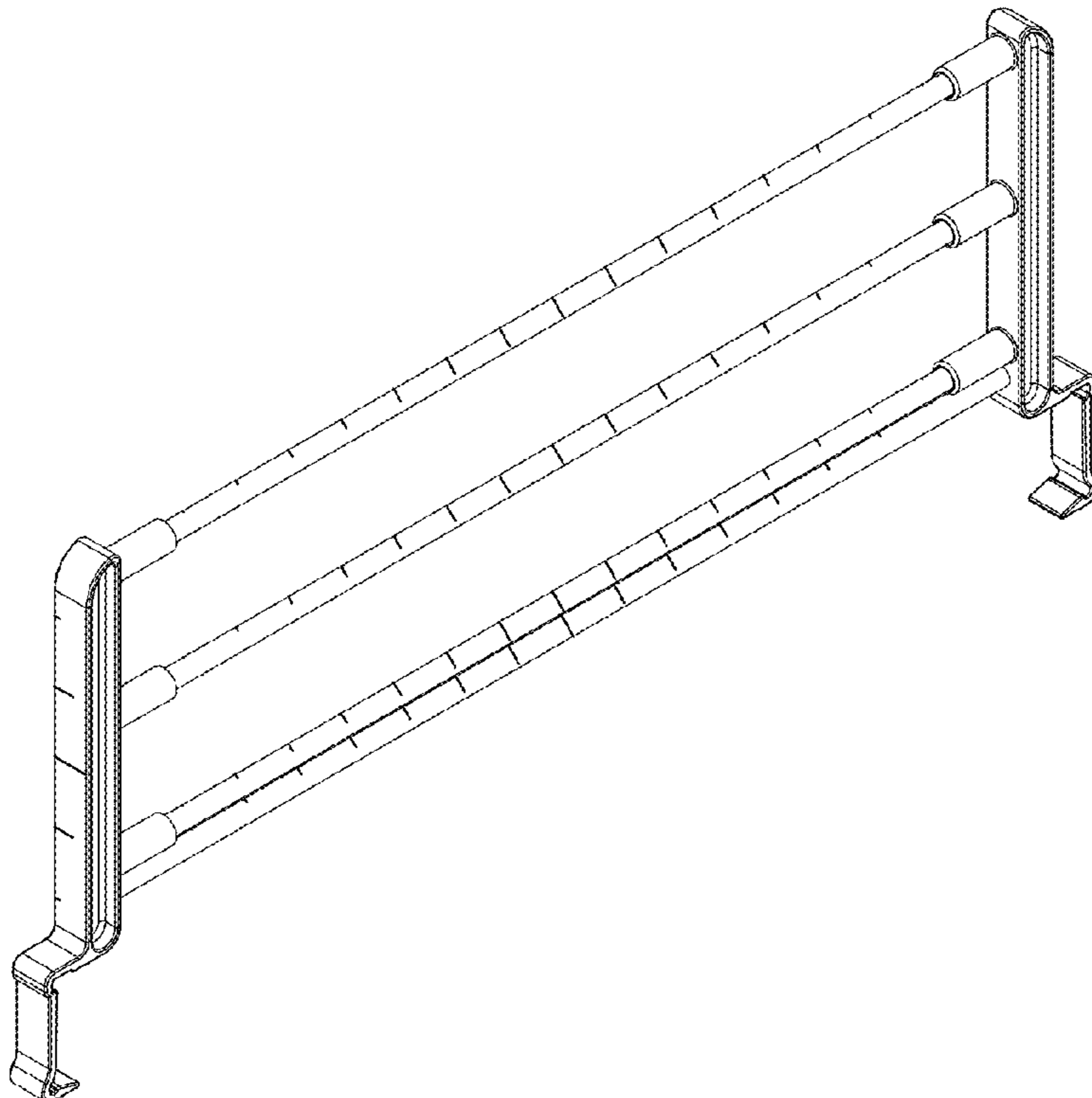
In the figures, features shown by broken lines are for illustrative purposes only and form no part of the claimed design. Certain solid lines of varying length indicate surface shading and the lines themselves form no part of the claimed design.

(56) **References Cited**

U.S. PATENT DOCUMENTS

D707,994 S \* 7/2014 Le ..... D6/706  
D760,519 S \* 7/2016 Le ..... D6/706

**1 Claim, 4 Drawing Sheets**



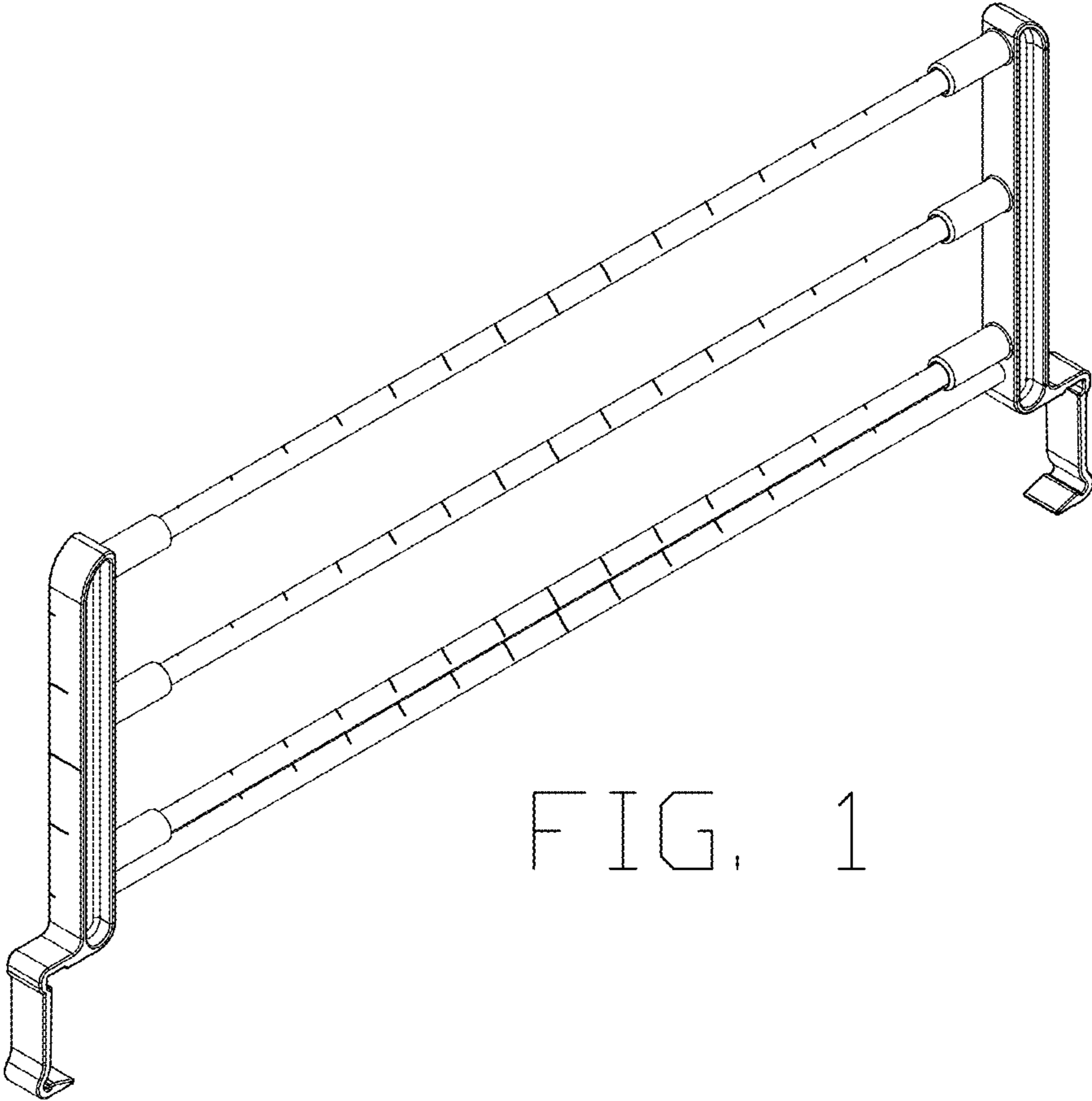


FIG. 1

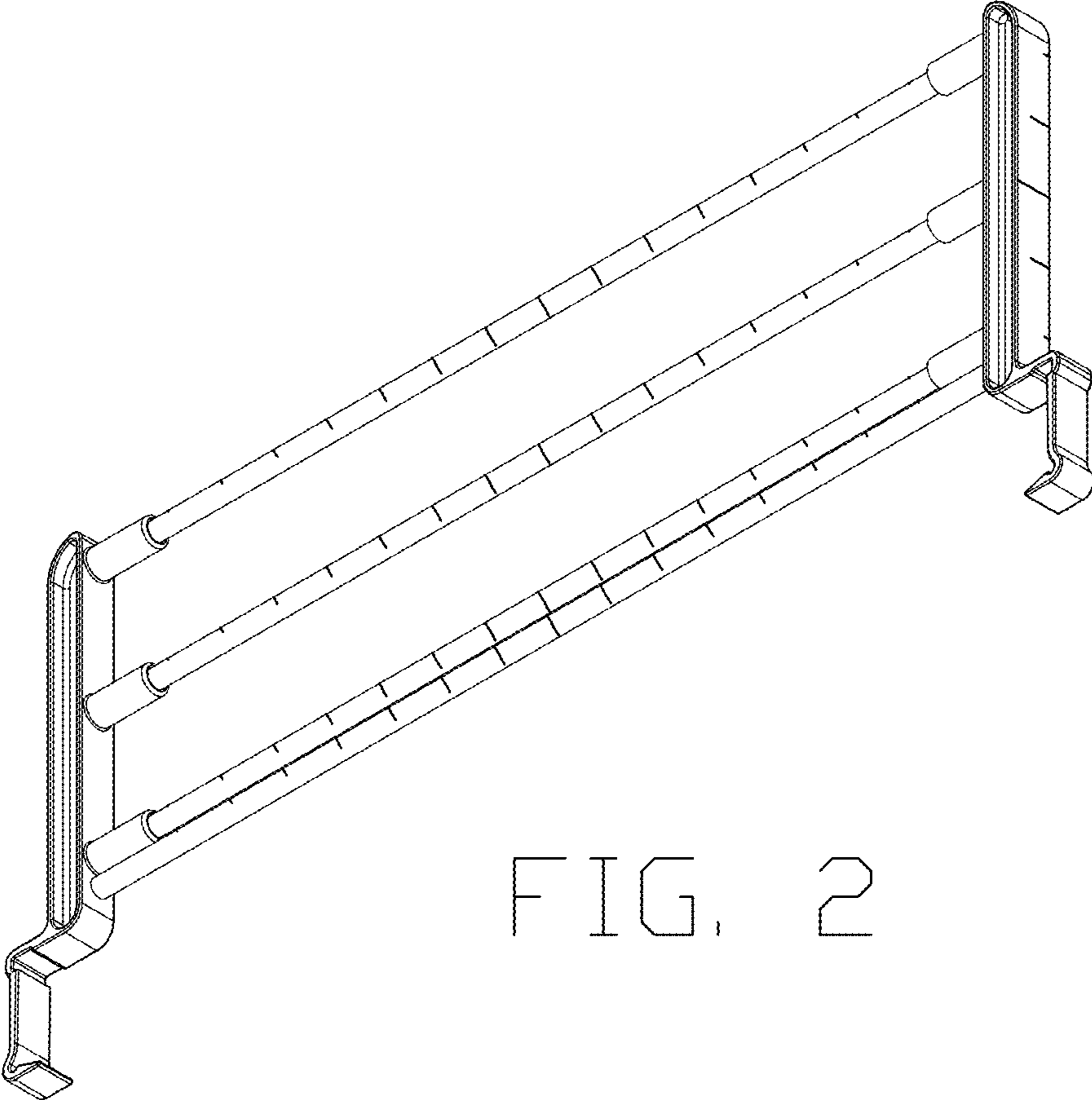


FIG. 2

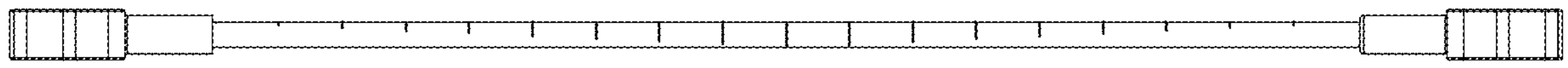


FIG. 3

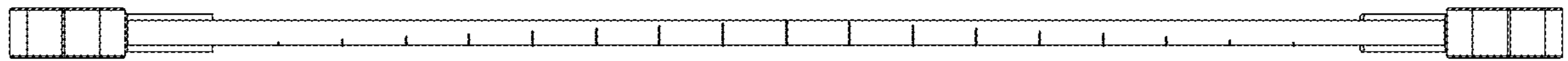


FIG. 4

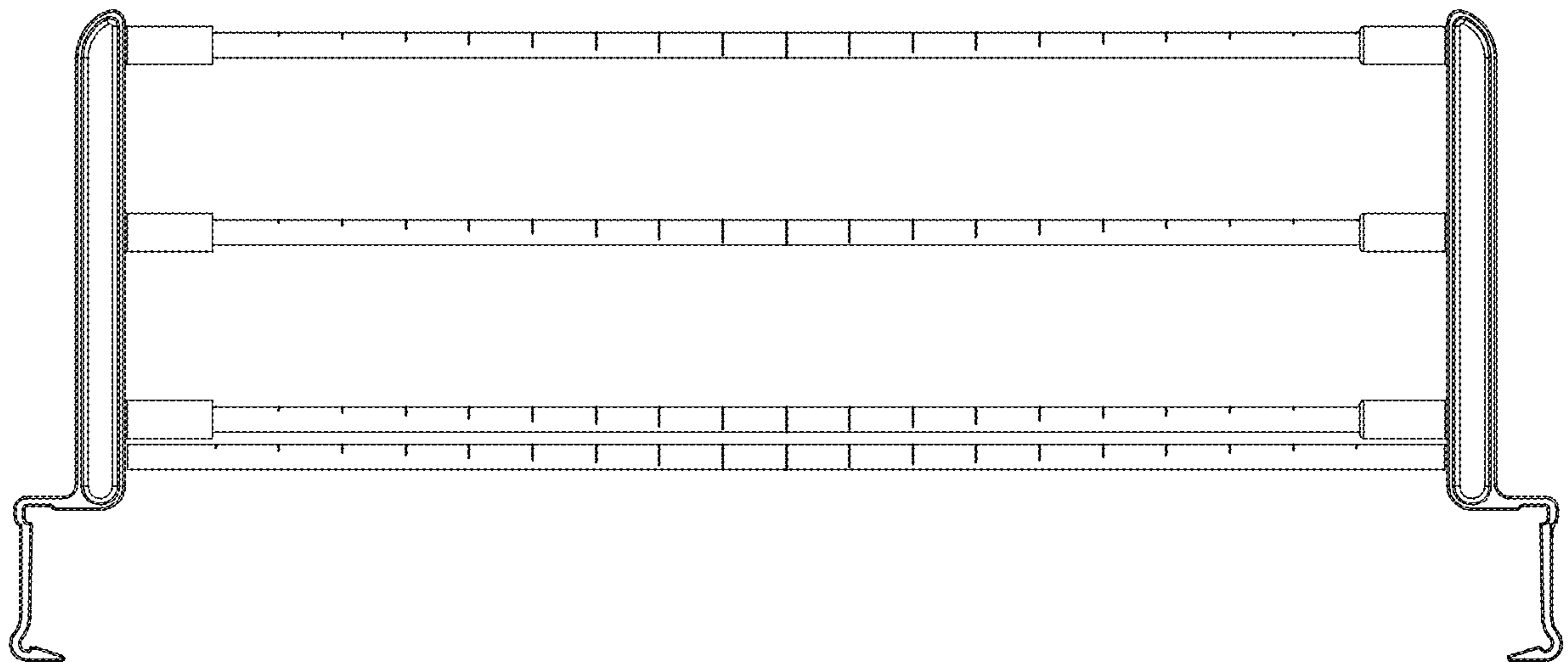


FIG. 5

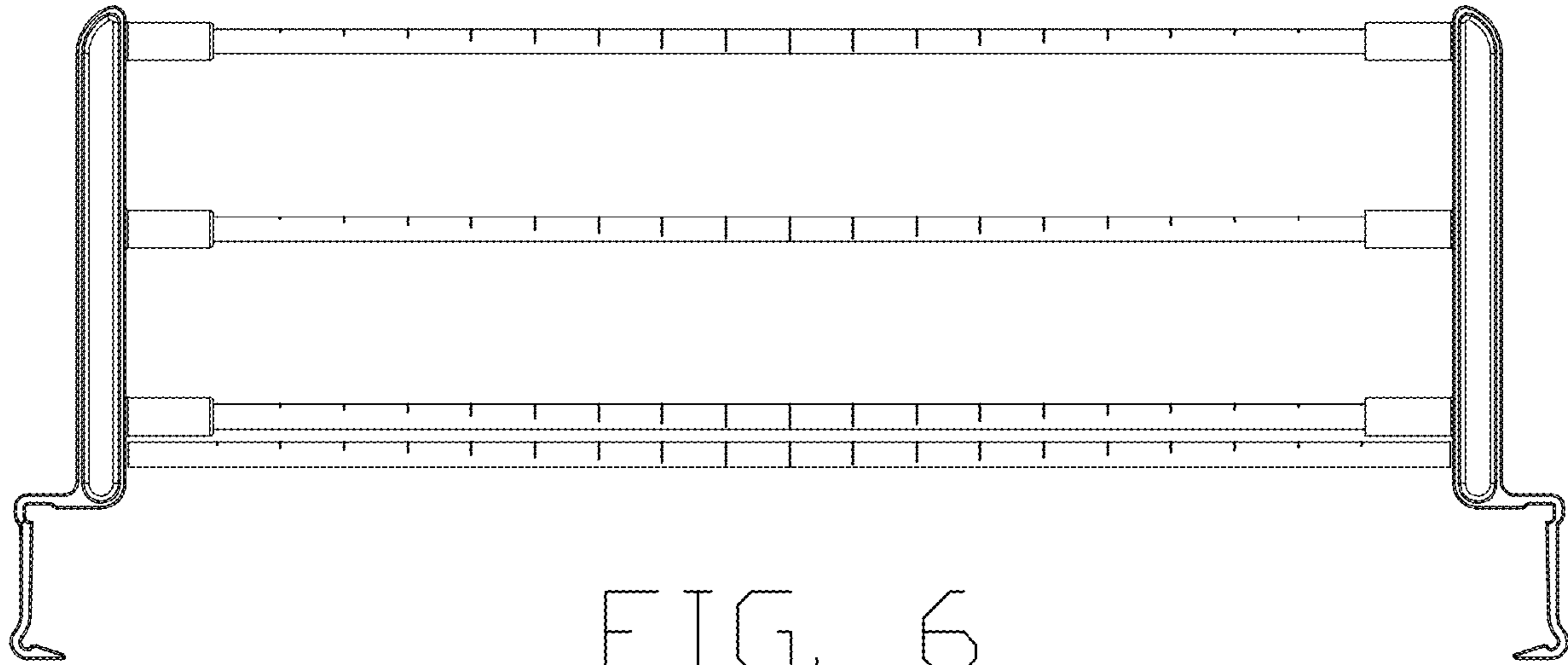


FIG. 6

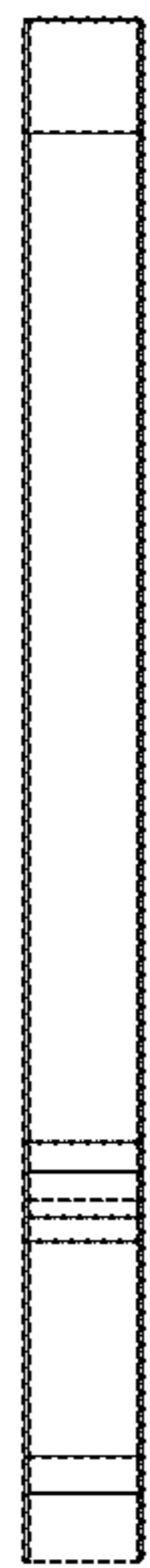


FIG. 7



FIG. 8

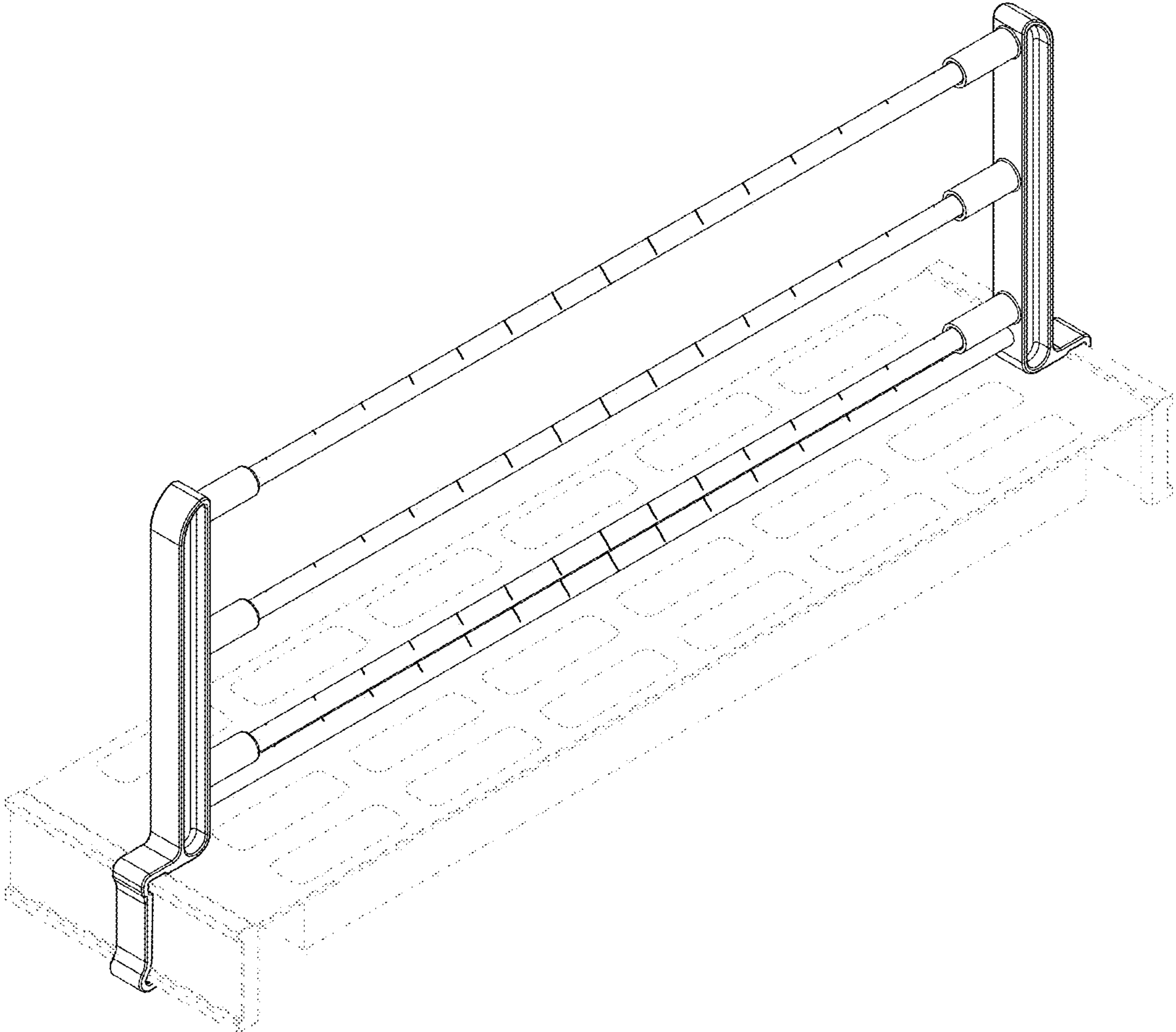


FIG. 9