



US00D961968S

(12) **United States Design Patent**
Hendifar

(10) **Patent No.:** **US D961,968 S**

(45) **Date of Patent:** **** Aug. 30, 2022**

(54) **TABLE**

(71) Applicant: **Apparatus LLC**, New York, NY (US)

(72) Inventor: **Gabriel Hendifar**, New York, NY (US)

(73) Assignee: **APPARATUS LLC**, New York, NY (US)

(**) Term: **15 Years**

(21) Appl. No.: **29/652,821**

(22) Filed: **Dec. 10, 2020**

(51) **LOC (13) Cl.** **06-03**

(52) **U.S. Cl.**

USPC **D6/691.4**; D6/686

(58) **Field of Classification Search**

USPC D6/334, 335, 336, 337, 338, 339, 340,
D6/349, 350, 352, 353, 354, 356, 357,
D6/360, 379, 685, 686, 691, 691.4, 692,
D6/692.2, 692.3, 692.4, 692.6

CPC A47B 2001/005; A47B 5/04; A47B
2031/008; A47B 31/04; A47B 2031/026;
A47B 1/04

See application file for complete search history.

(56) **References Cited**

U.S. PATENT DOCUMENTS

- 145,145 A * 12/1873 Baggs A47B 13/023
108/150
- 1,646,099 A * 10/1927 Mitchell A24F 19/0071
220/576
- D127,562 S * 6/1941 Cloutier D6/691.3
- D202,713 S * 11/1965 Hawkes D6/692.3
- D222,836 S * 1/1972 Sciarrino D30/158
- D397,496 S * 8/1998 Luedecke D27/125
- 5,893,604 A * 4/1999 Yao A47C 9/007
108/118
- D526,820 S * 8/2006 Nutsos D6/692.3
- D647,713 S * 11/2011 Unterrainer D6/349

- D696,675 S * 12/2013 Delrue D14/447
- D745,287 S * 12/2015 Chadwick D6/352
- D772,624 S * 11/2016 Levy D6/691.4
- D808,674 S * 1/2018 Handler D6/352
- D816,380 S * 5/2018 Levine D6/708.17
- D828,062 S * 9/2018 Lykouria D6/692.3
- D882,314 S * 4/2020 Derrick D6/692.3
- D882,315 S * 4/2020 Derrick D6/692.3
- D883,704 S * 5/2020 Monnes D6/406.1

(Continued)

Primary Examiner — Catherine Ho

(74) *Attorney, Agent, or Firm* — Gottlieb, Rackman & Reisman, P.C.

(57) **CLAIM**

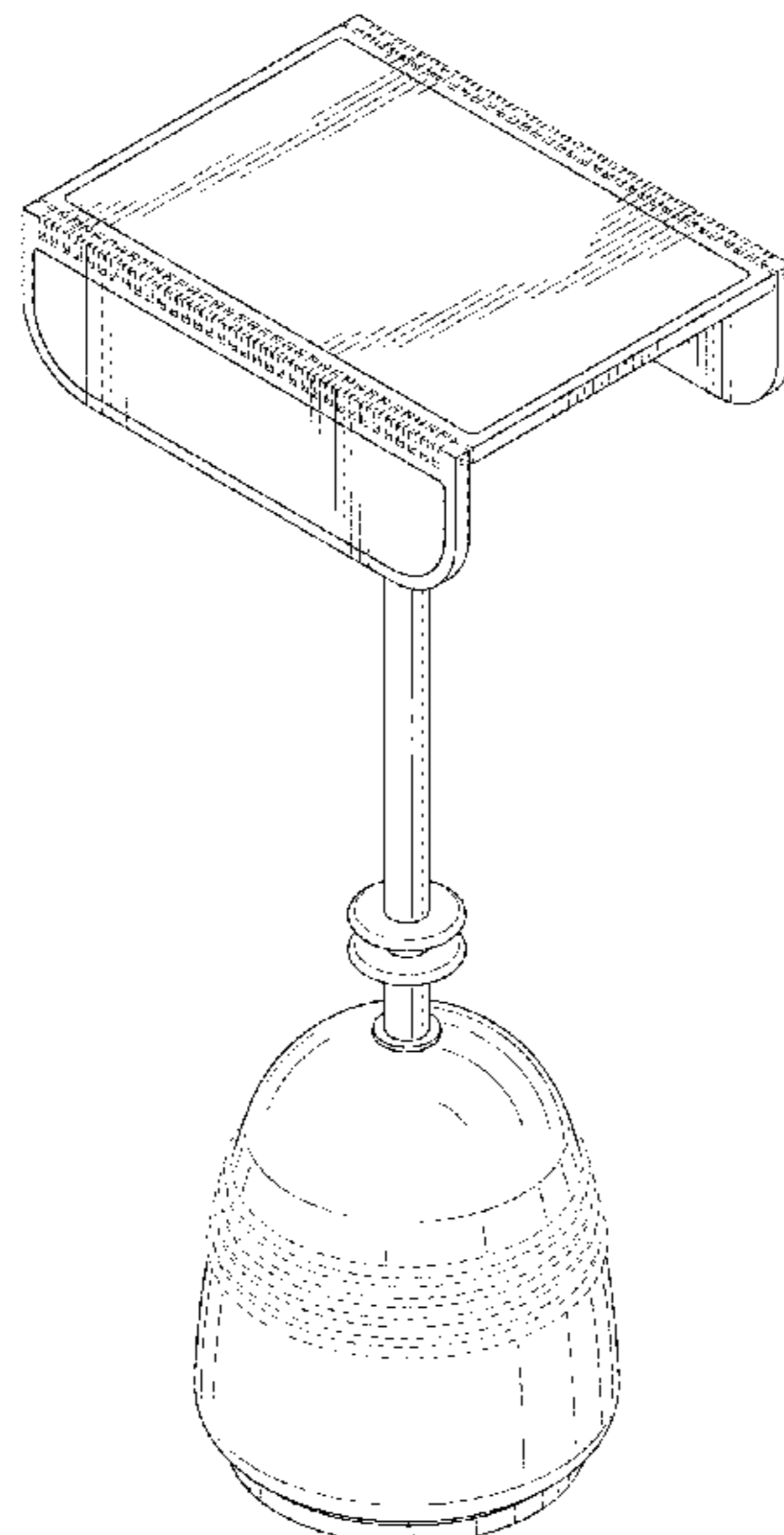
The ornamental design for a table, as shown and described.

DESCRIPTION

FIG. 1 is a front top perspective view of a table in a closed configuration showing my new design;
 FIG. 2 is a front bottom perspective view of FIG. 1;
 FIG. 3 is a front elevational view of FIG. 1;
 FIG. 4 is a rear elevational view of FIG. 1;
 FIG. 5 is a left side elevational view of FIG. 1;
 FIG. 6 is a right side elevational view of FIG. 1;
 FIG. 7 is a top plan view of FIG. 1;
 FIG. 8 is a bottom plan view of FIG. 1;
 FIG. 9 is a front top perspective view of a table in an open configuration;
 FIG. 10 is a front bottom perspective view of FIG. 9;
 FIG. 11 is a front elevational view of FIG. 9;
 FIG. 12 is a rear elevational view of FIG. 9;
 FIG. 13 is a left side elevational view of FIG. 9;
 FIG. 14 is a right side elevational view of FIG. 9;
 FIG. 15 is a top plan view of FIG. 9; and,
 FIG. 16 is a bottom plan view of FIG. 9.

The broken lines shown in the drawings are included for the purpose of illustrating elements of the table that form no part of the claimed design.

1 Claim, 16 Drawing Sheets



(56)

References Cited

U.S. PATENT DOCUMENTS

D927,498 S * 8/2021 Wang D14/447
D950,973 S * 5/2022 Hendifar D6/406.3

* cited by examiner

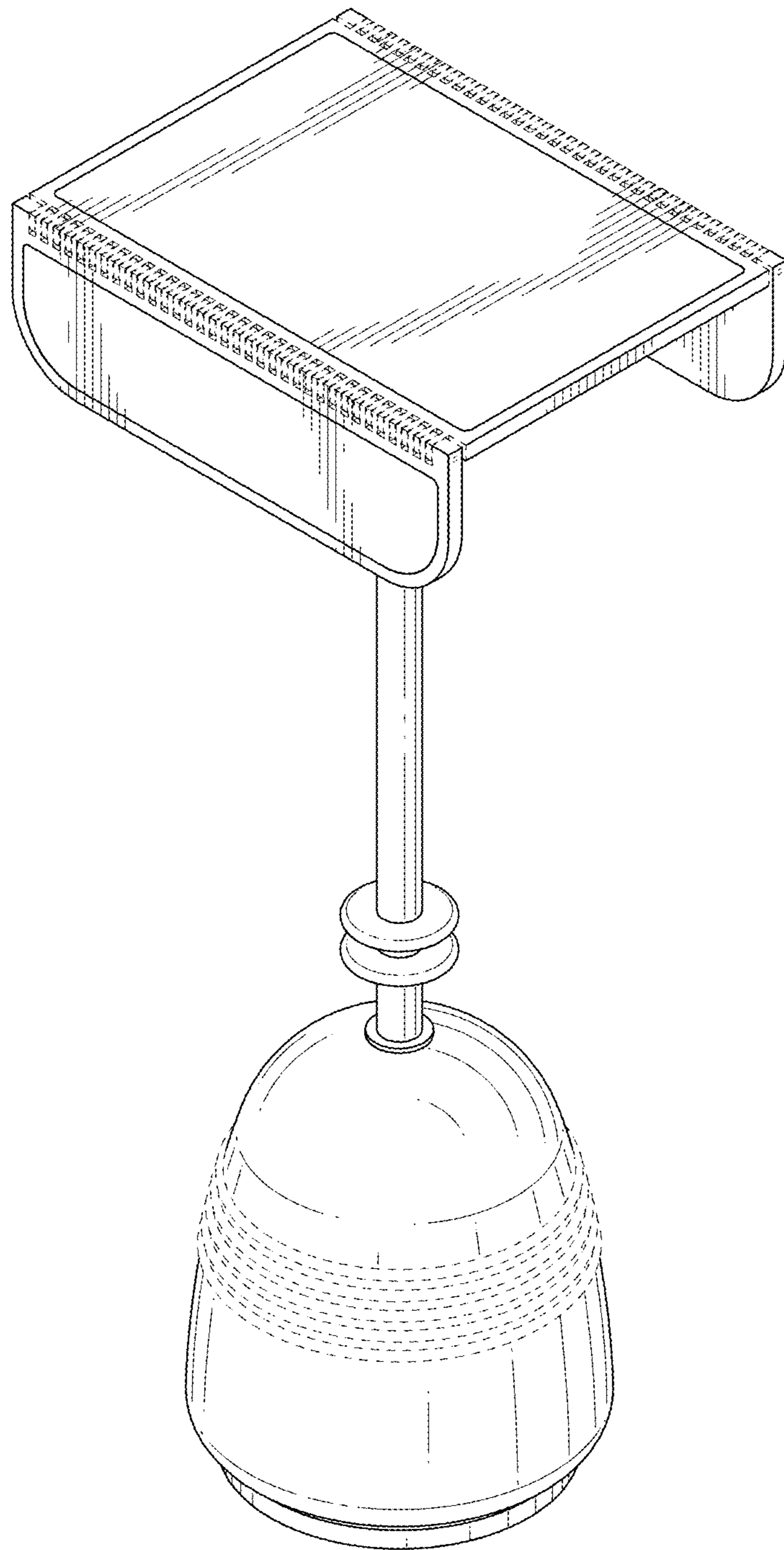


FIG. 1

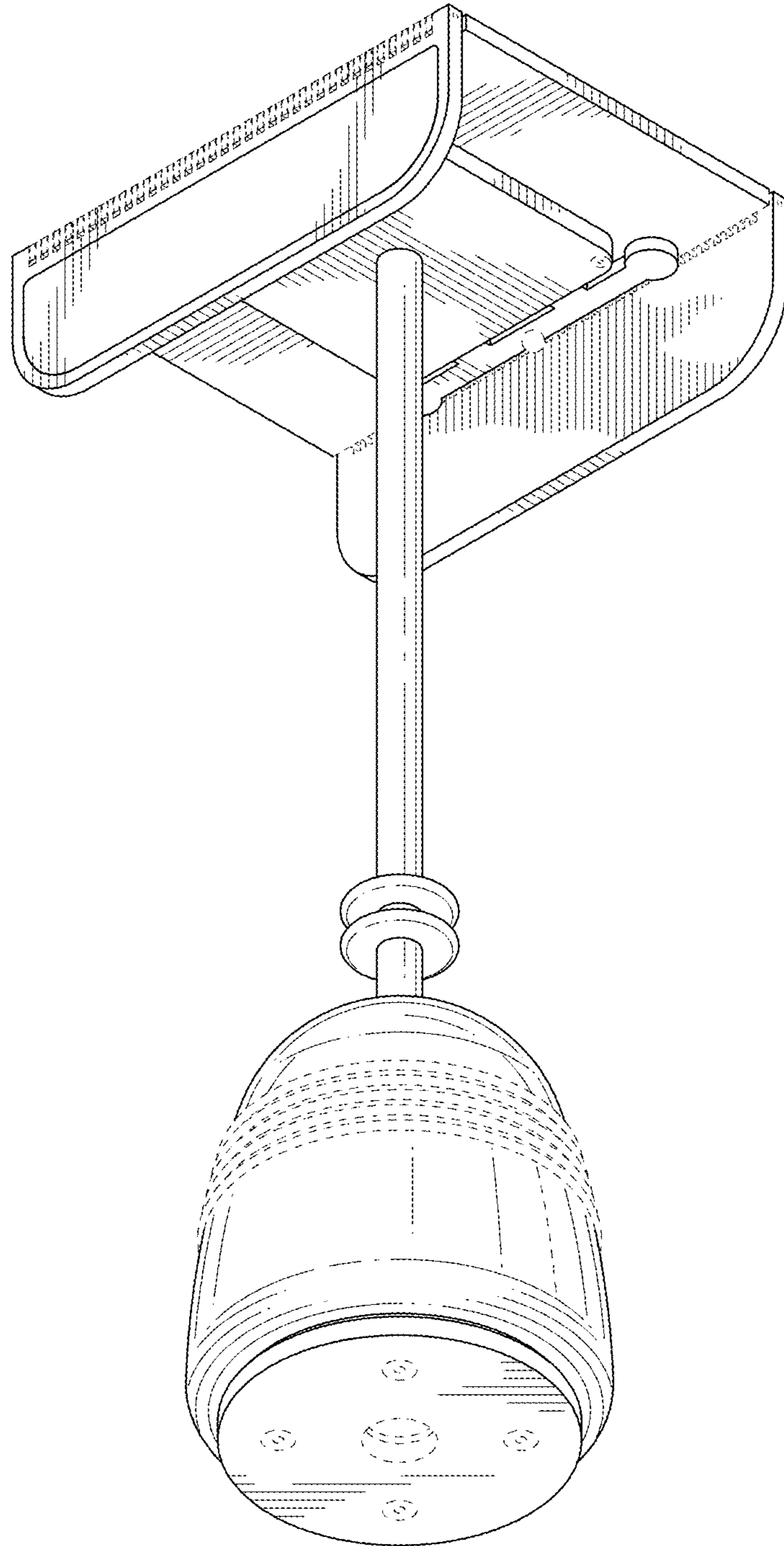


FIG. 2

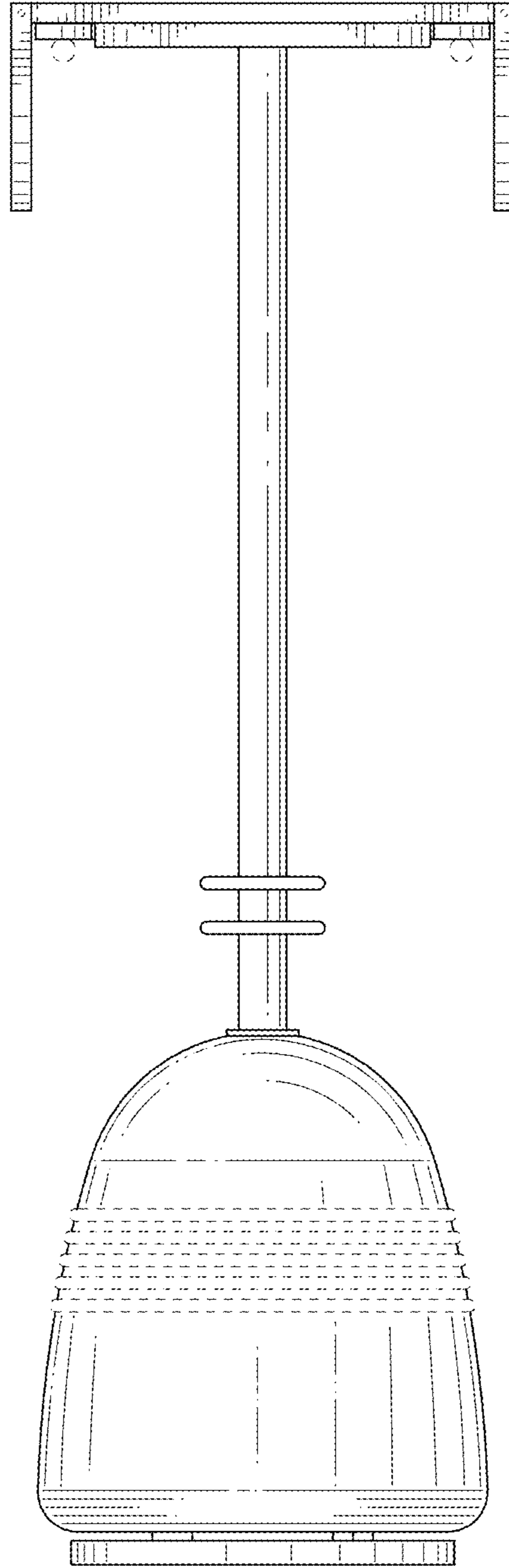


FIG. 3

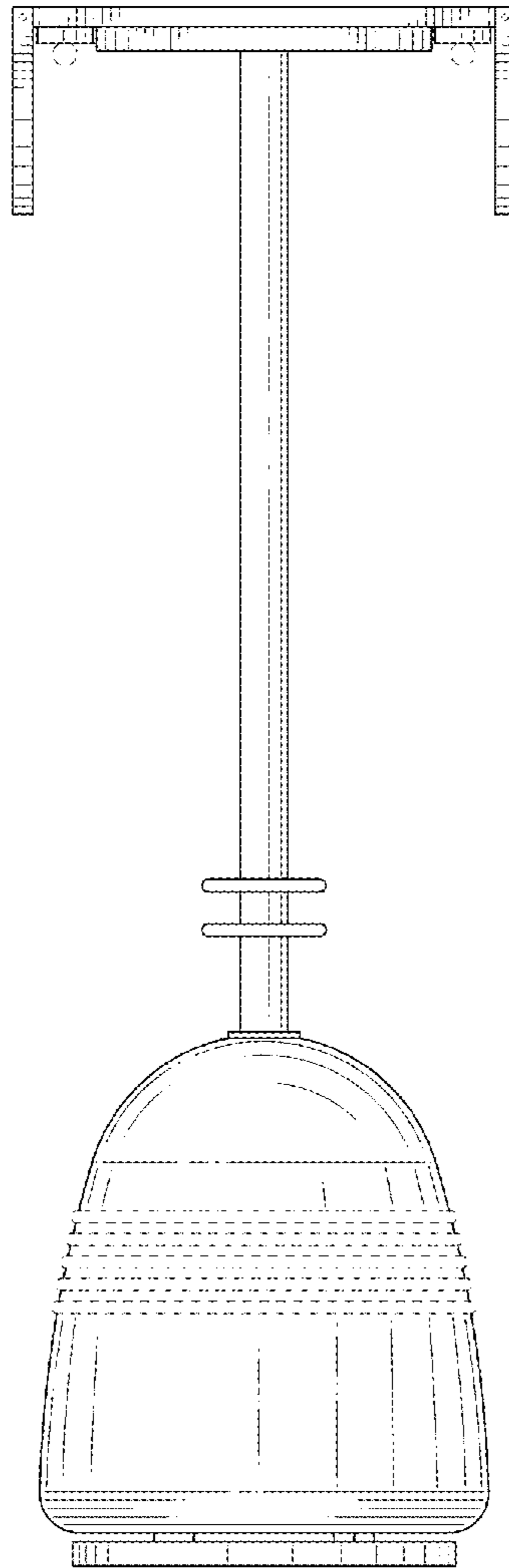


FIG.4

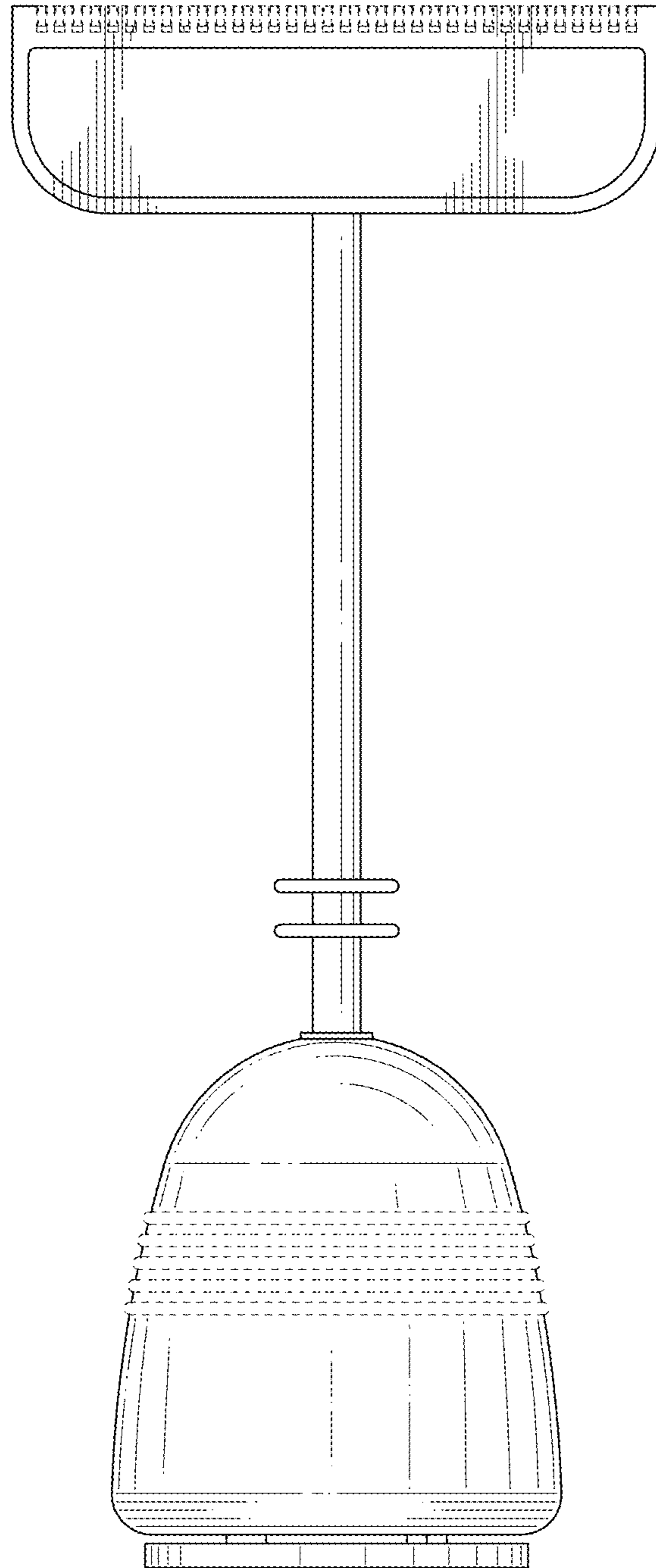


FIG. 5

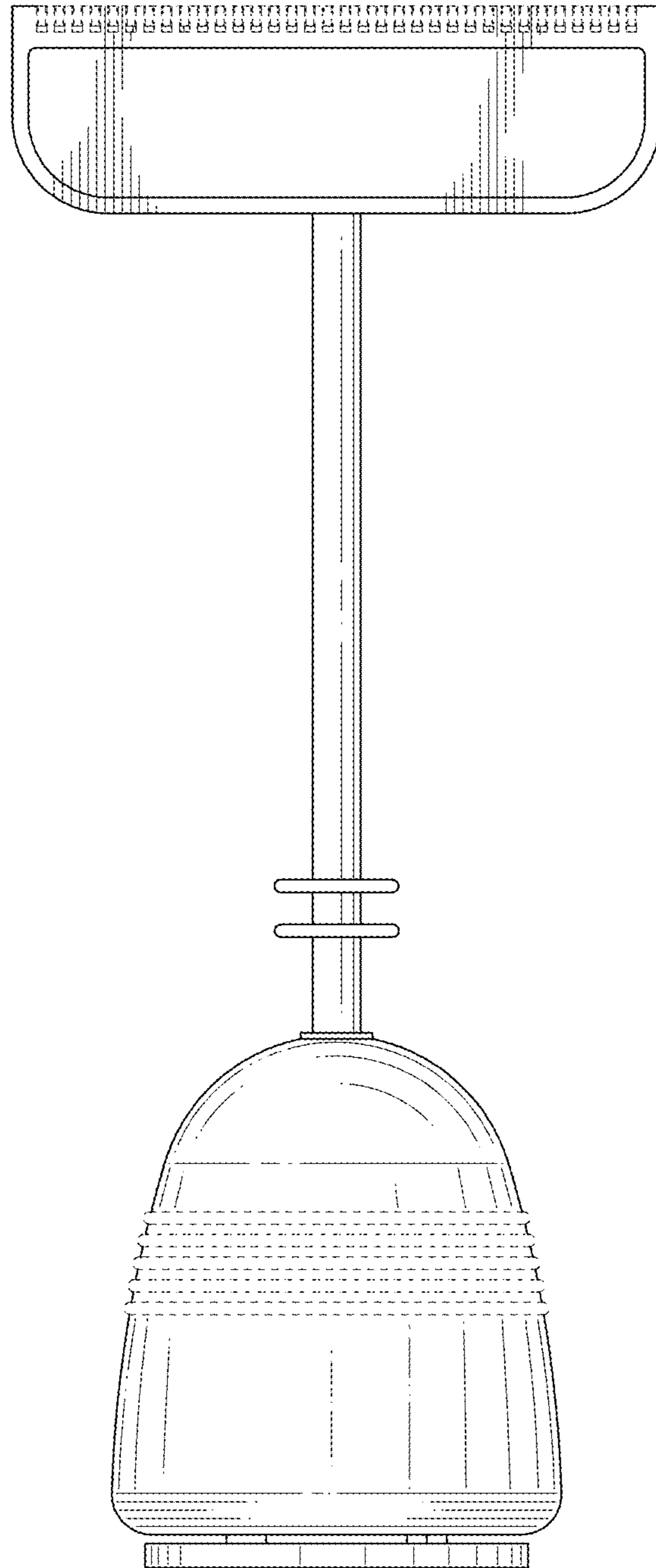


FIG. 6

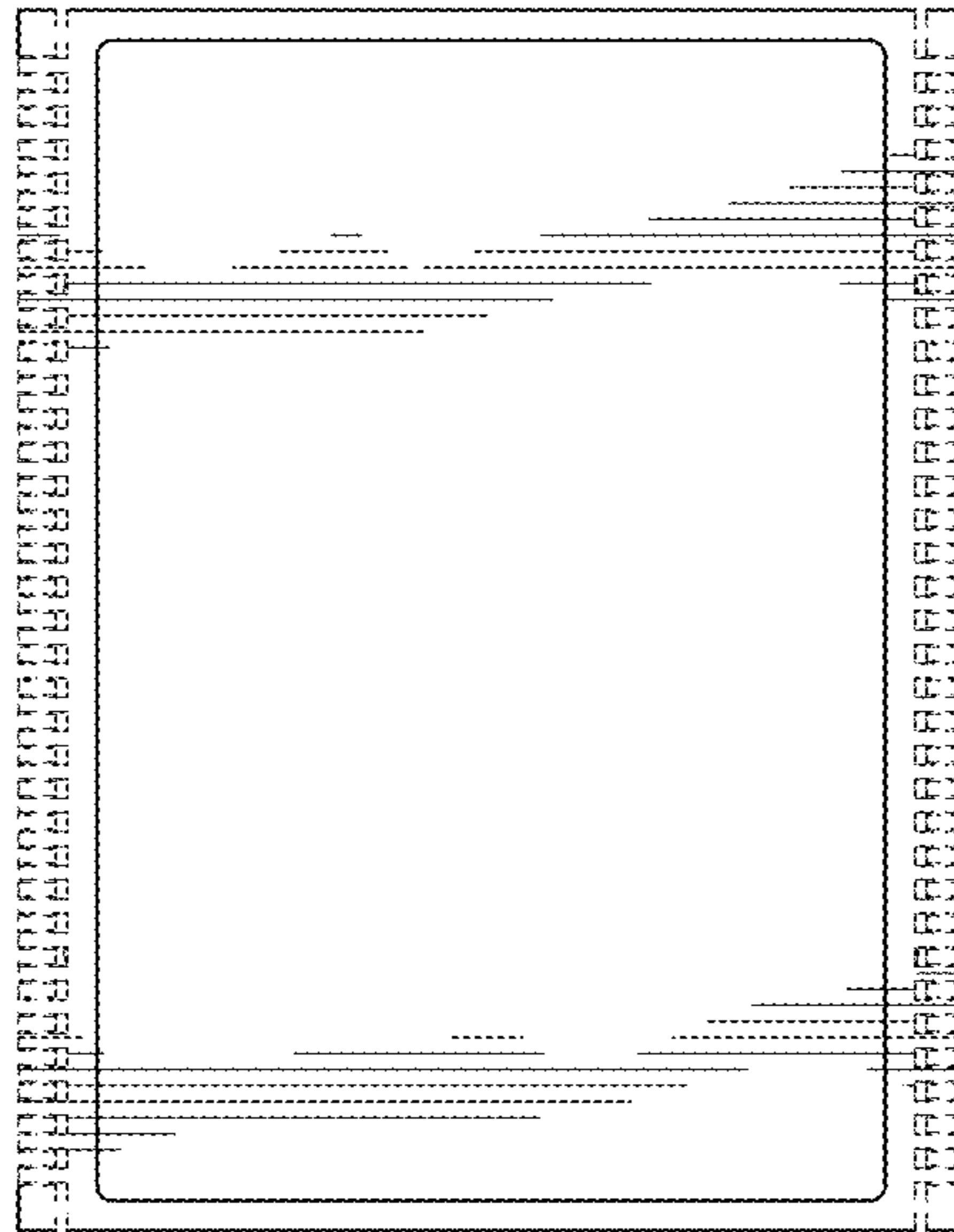


FIG. 7

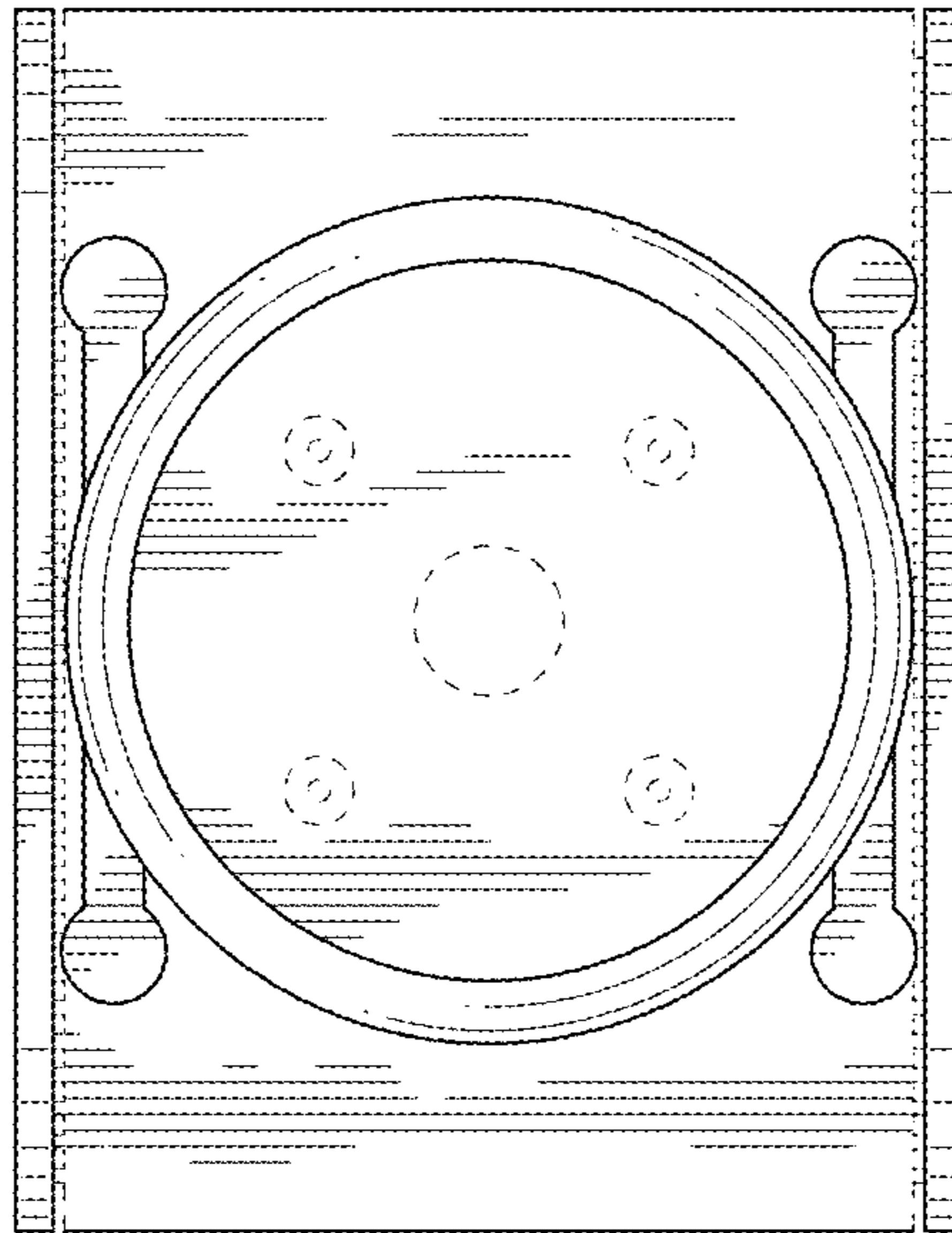


FIG. 8

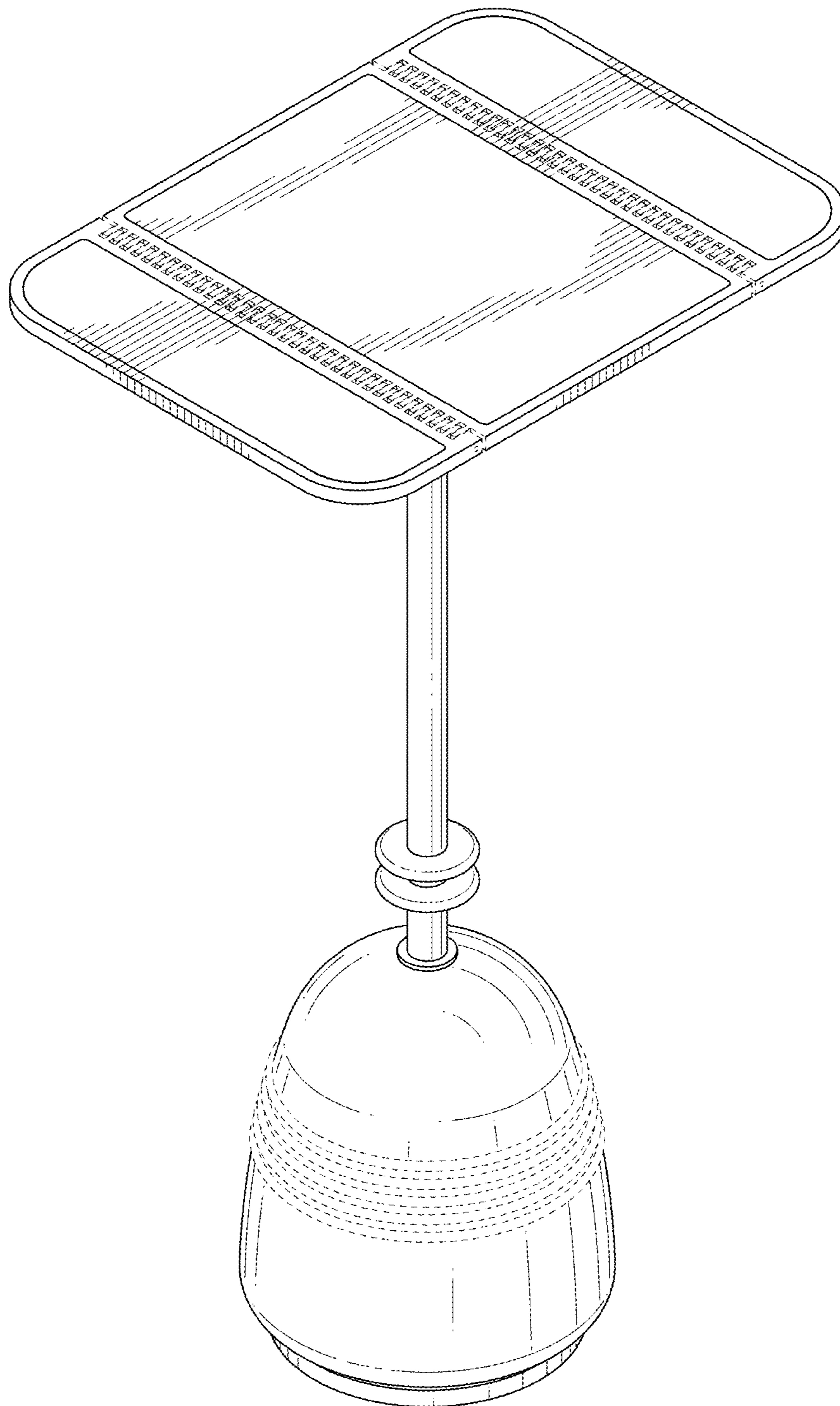


FIG. 9

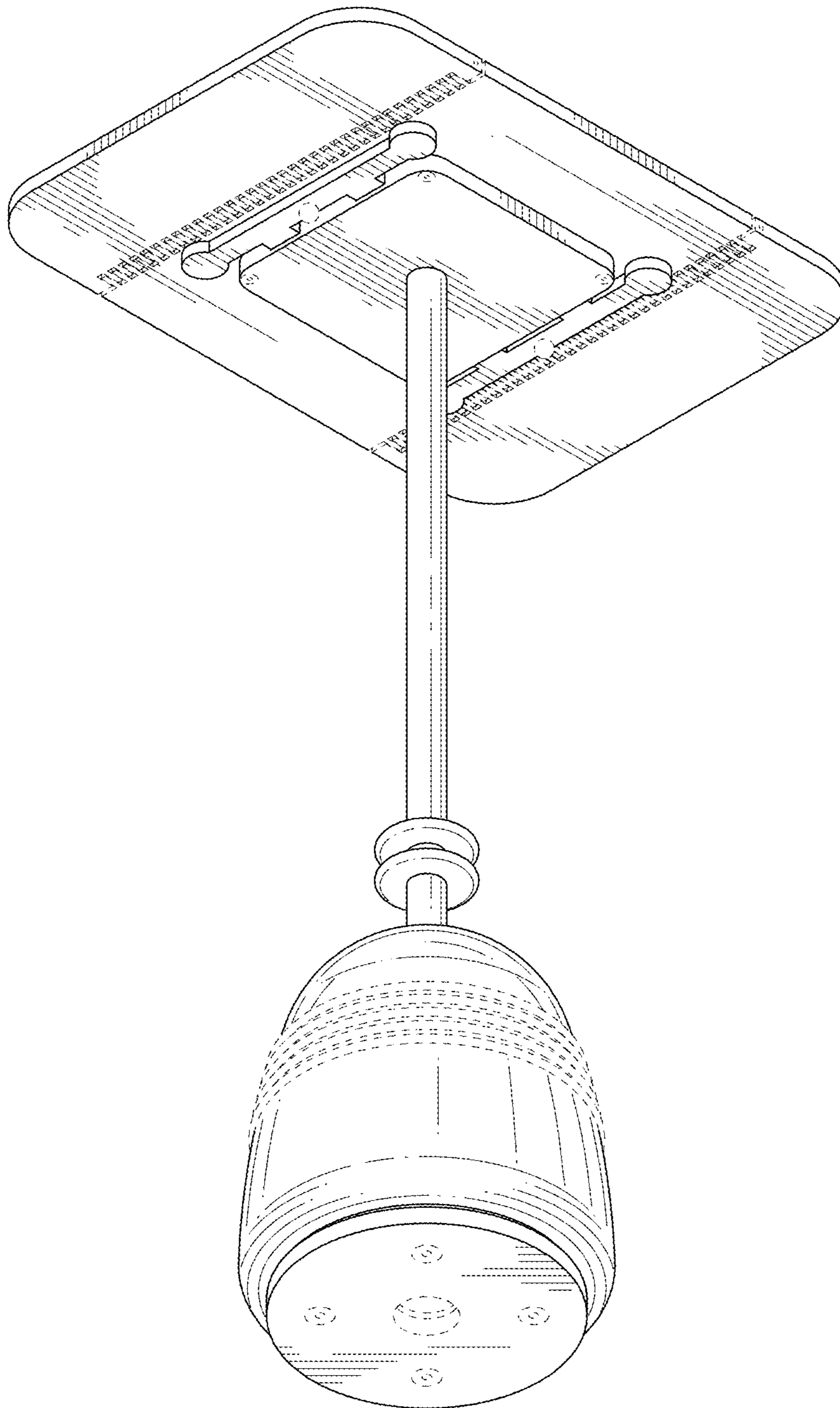


FIG. 10

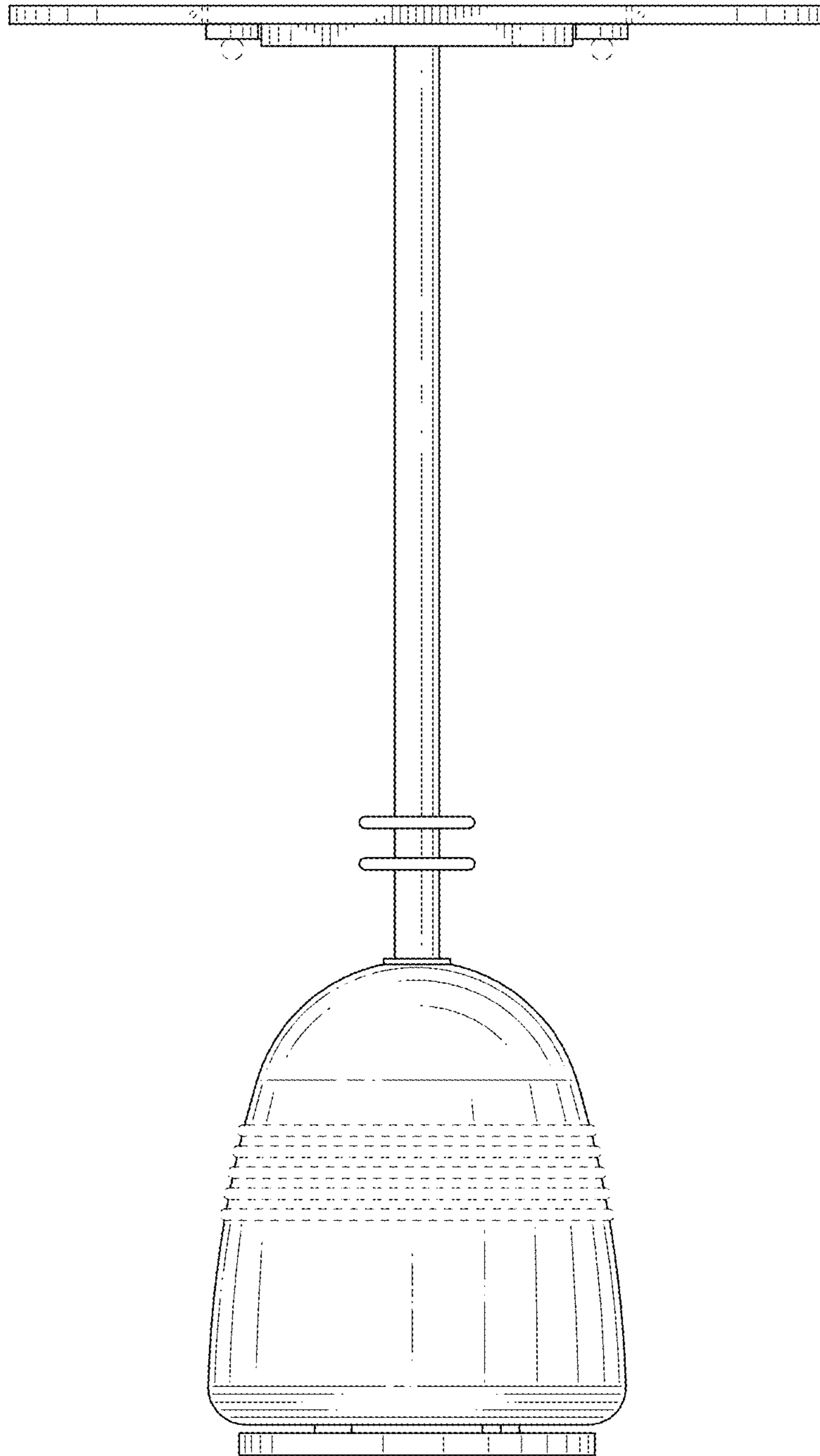


FIG. 11

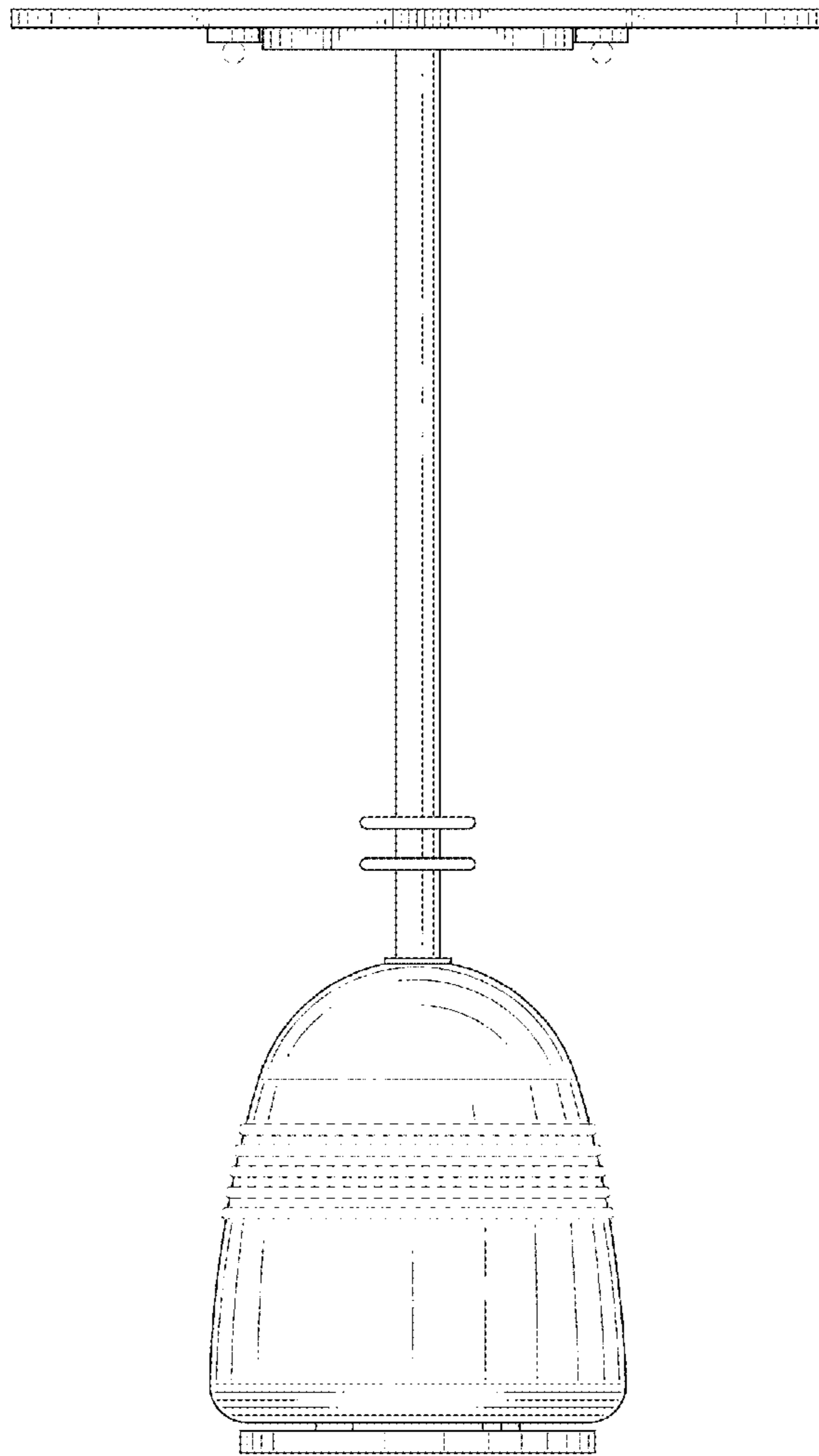


FIG. 12

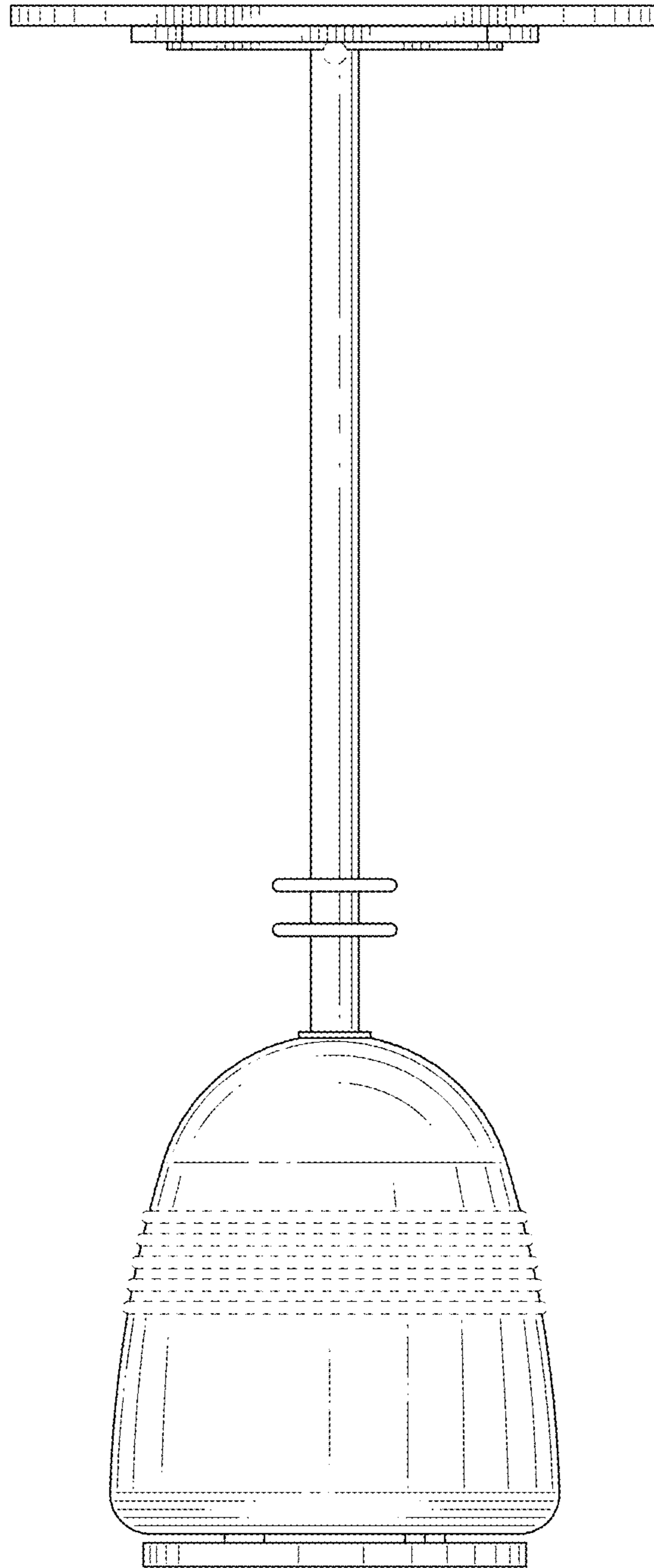


FIG. 13

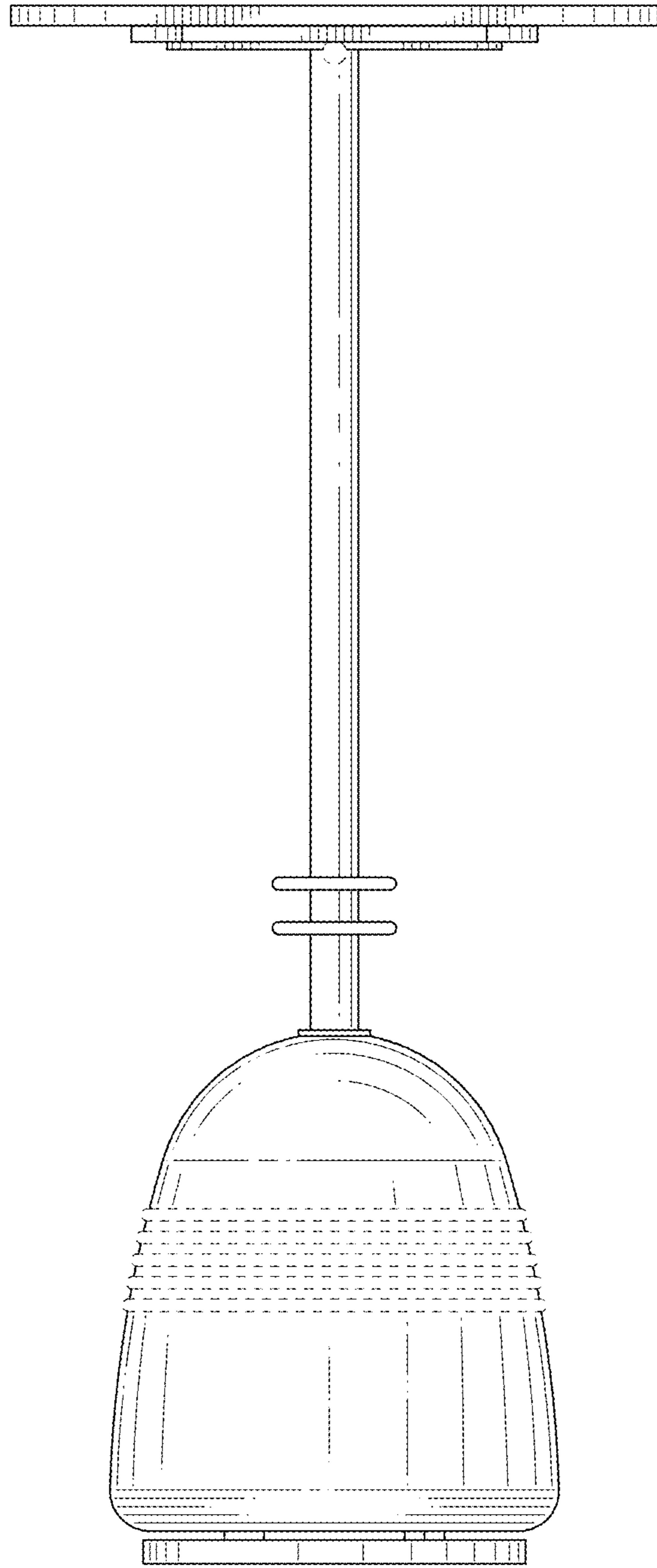


FIG. 14

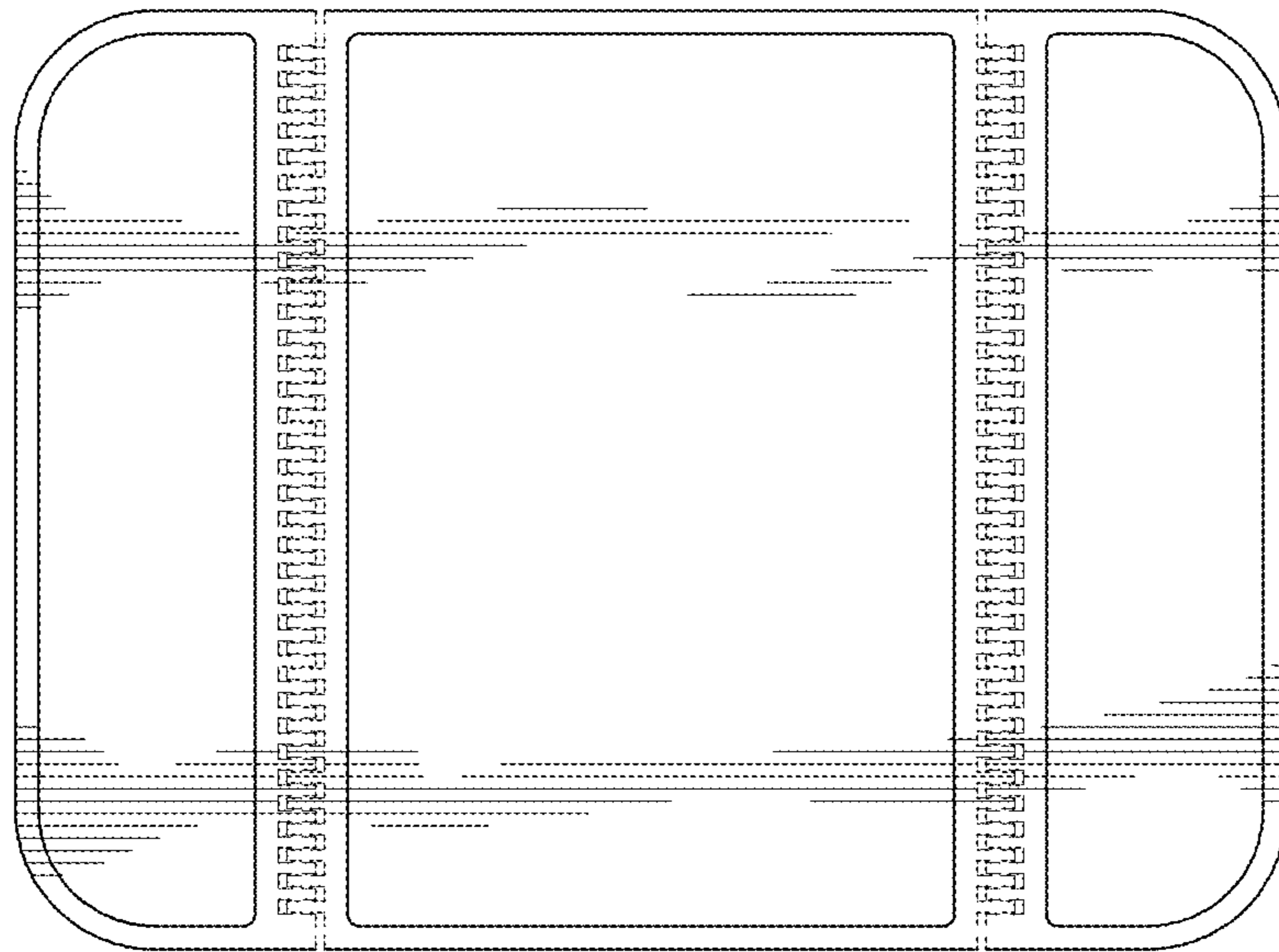


FIG. 15

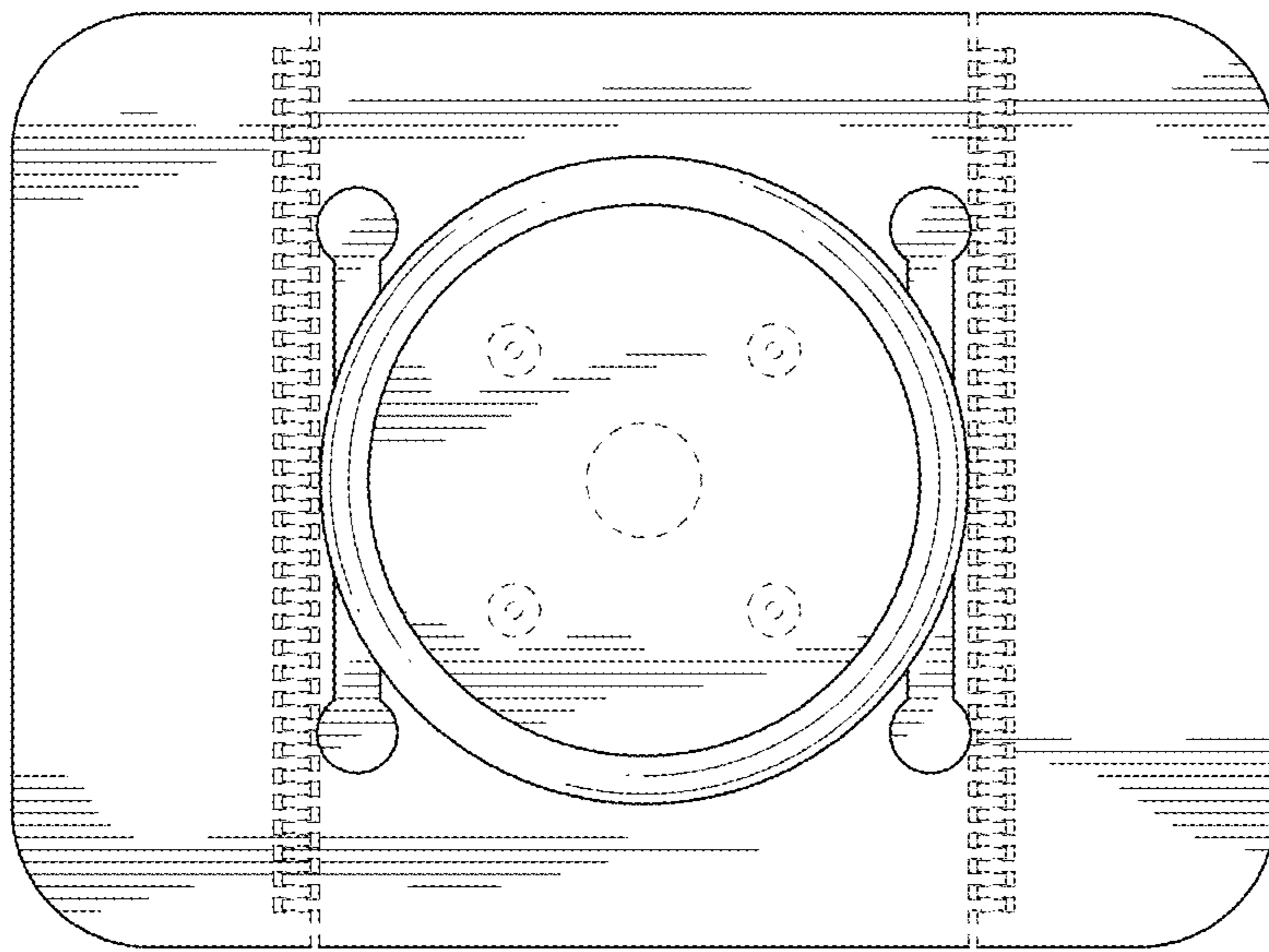


FIG. 16