



US00D961965S

(12) **United States Design Patent** (10) **Patent No.:** **US D961,965 S**
Wong (45) **Date of Patent:** **** Aug. 30, 2022**

(54) **DESK**
(71) Applicant: **MY LAUFT INC.**, Toronto (CA)
(72) Inventor: **Graham Stuart Wong**, Toronto (CA)
(73) Assignee: **MY LAUFT INC.**, Toronto (CA)
(**) Term: **15 Years**

(21) Appl. No.: **29/700,884**
(22) Filed: **Aug. 6, 2019**

(30) **Foreign Application Priority Data**

May 10, 2019 (CA) CA 187546

(51) **LOC (13) Cl.** **06-03**

(52) **U.S. Cl.**
USPC **D6/656**

(58) **Field of Classification Search**
USPC D6/329, 641, 642, 655, 655.14, 655.16,
D6/655.18, 655.21, 655.23, 685, 686,
D6/688.14, 688.15, 691, 691.5
CPC .. A47B 3/00; A47B 3/002; A47B 7/00; A47B
9/00; A47B 13/00; A47B 13/02; A47B
13/04; A47B 13/06; A47B 13/08; A47B
13/10; A47B 13/12; A47B 17/00; A47B
17/003; A47B 17/006; A47B 21/00; A47B
21/02

See application file for complete search history.

(56) **References Cited**

U.S. PATENT DOCUMENTS

D54,485 S * 2/1920 Valentine D26/58
D101,100 S * 9/1936 Bate D6/655
D166,300 S * 4/1952 Curtis D6/691.5
2,615,770 A * 10/1952 Curtis A47B 13/003
108/155
2,717,815 A * 9/1955 Hubbard A47B 13/08
108/161
D176,176 S * 11/1955 Dahlgren D6/655.23

3,418,030 A * 12/1968 Golden F16B 12/46
312/194
D275,913 S * 10/1984 Mulligan D6/301
D281,555 S * 12/1985 Levy D6/406.6
D473,728 S * 4/2003 Chang D6/655
D489,200 S * 5/2004 Antonioni D6/655.21
D558,489 S * 1/2008 Christensen D6/691.5
D558,490 S * 1/2008 Christensen D6/691.5

(Continued)

OTHER PUBLICATIONS

“Flexible Workspace Company LAUFT 1st Mall Location.” Found online Oct. 19, 2021 at www.retail-insider.com. Page dated Jan. 21, 2019. Retrieved from URL: [https://retail-insider.com/retail-insider/2019/01/flexible-workspace-company-lauft-1st-mall-location-in-canada-with-plans-for-global-expansion/\(Year: 2019\).*](https://retail-insider.com/retail-insider/2019/01/flexible-workspace-company-lauft-1st-mall-location-in-canada-with-plans-for-global-expansion/(Year: 2019).*)

(Continued)

Primary Examiner — Mary Ann Calabrese
Assistant Examiner — Katelin G Kloberg
(74) *Attorney, Agent, or Firm* — Greer, Burns & Crain, Ltd

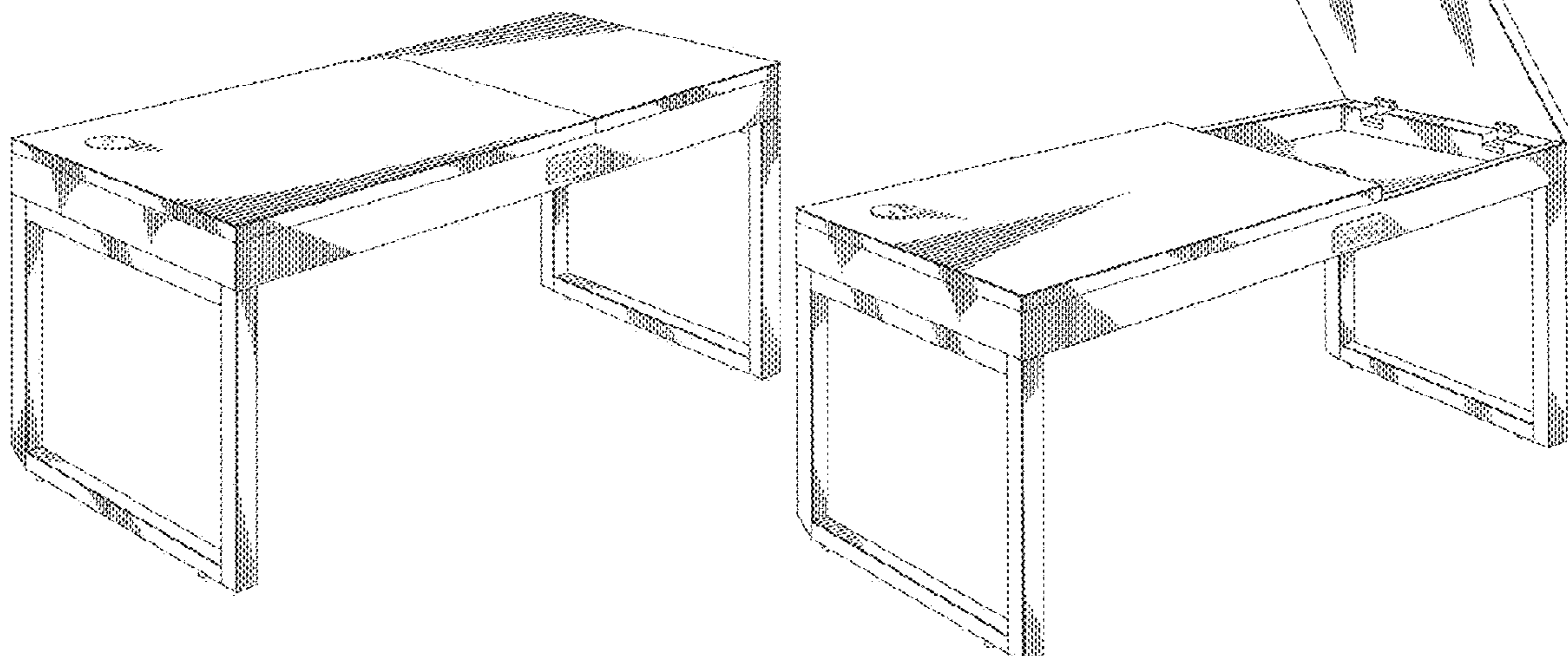
(57) **CLAIM**

The ornamental design for a desk, as shown and described.

DESCRIPTION

FIG. 1 is a top perspective view of a desk, showing my new design;
FIG. 2 is a front elevation view thereof;
FIG. 3 is a rear elevation view thereof;
FIG. 4 is a right side elevation view thereof;
FIG. 5 is a left side elevation view thereof;
FIG. 6 is a top plan view thereof;
FIG. 7 is a bottom plan view thereof; and,
FIG. 8 is a top perspective view of the desk, shown in an open configuration.
The area shown in broken lines depicts features that form no part of the claimed design.

1 Claim, 5 Drawing Sheets



(56)

References Cited

U.S. PATENT DOCUMENTS

D588,380	S	*	3/2009	Bucholz	D6/691.5
D614,889	S	*	5/2010	Van Duysen	D6/691.5
D637,836	S	*	5/2011	Cortivo	D6/656
D757,464	S	*	5/2016	Chiang	D6/642
D783,316	S	*	4/2017	Davis	D6/655.1
D817,669	S	*	5/2018	Burden	D6/671
D840,730	S	*	2/2019	Bougay	D6/691.1
D873,059	S	*	1/2020	Hultqvist	D6/687
D877,543	S	*	3/2020	Davis	D6/655
D888,467	S	*	6/2020	Li	D6/655

OTHER PUBLICATIONS

“Vari—Table 60×30.” Found online Oct. 19, 2021 at www.vari.com. Product reviewed Oct. 8, 2019. Retrieved from URL: <https://tinyurl.com/wc7n9e7r> (Year: 2019).*

The Vaulta Storage Flagship Facility in Toronto. Found online Oct. 19, 2021 at www.insideselfstorage.com. Page dated May 6, 2021. Retrieved from URL: <https://www.insideselfstorage.com/development/vaulta-storage-flagship-facility-toronto-creating-template-future-development-success> (Year: 2021).*

* cited by examiner

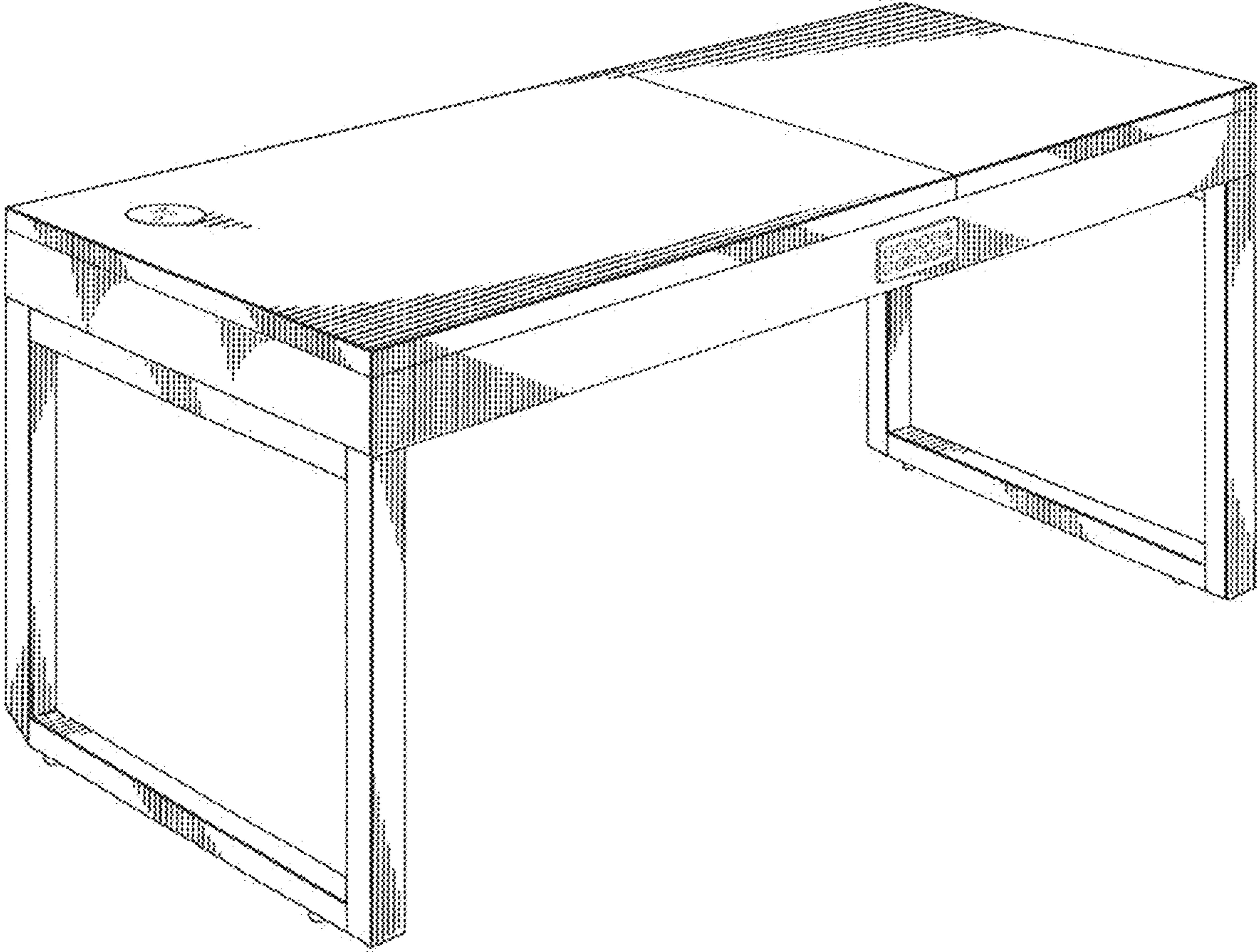


FIG. 1

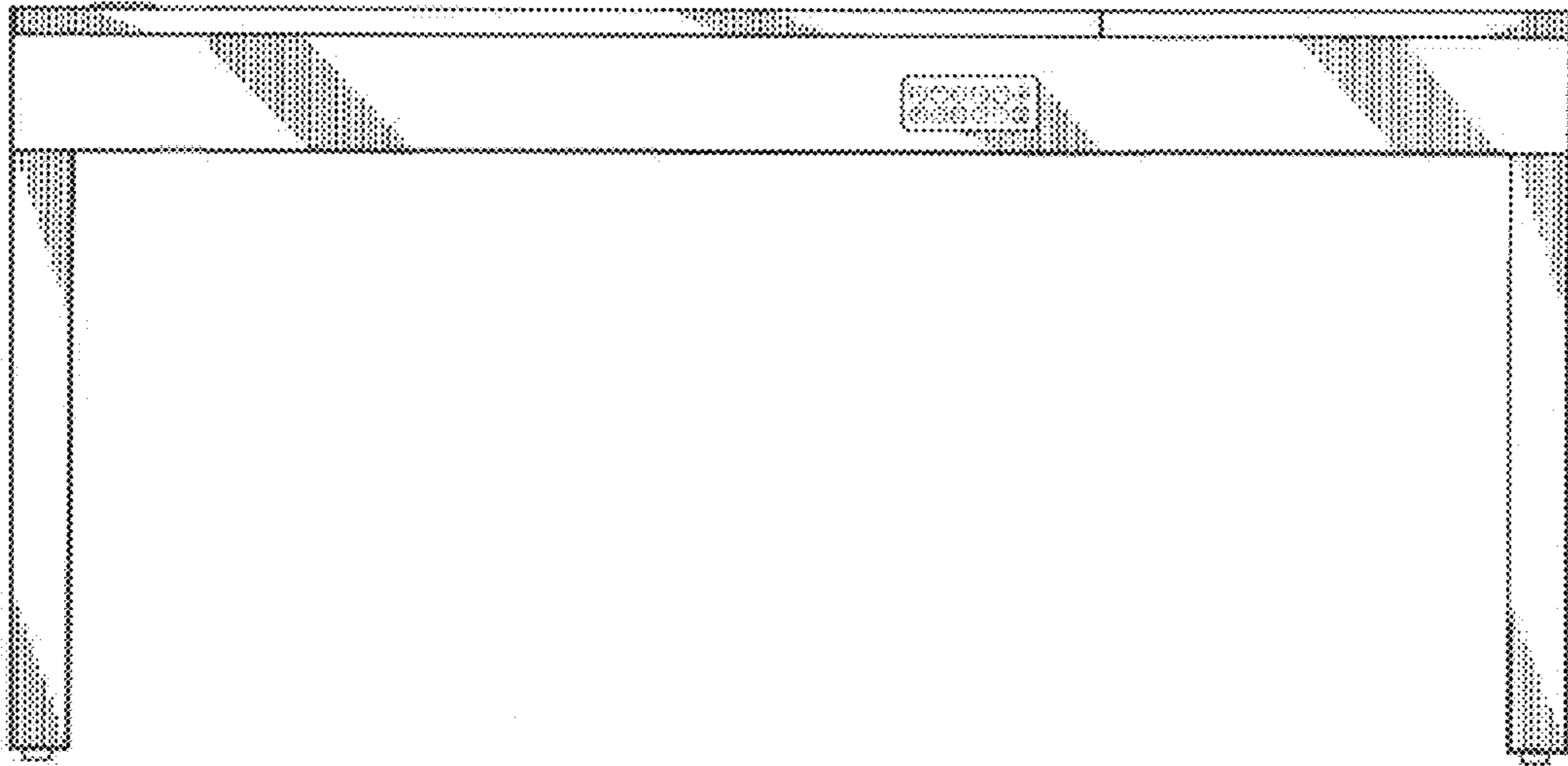


FIG. 2

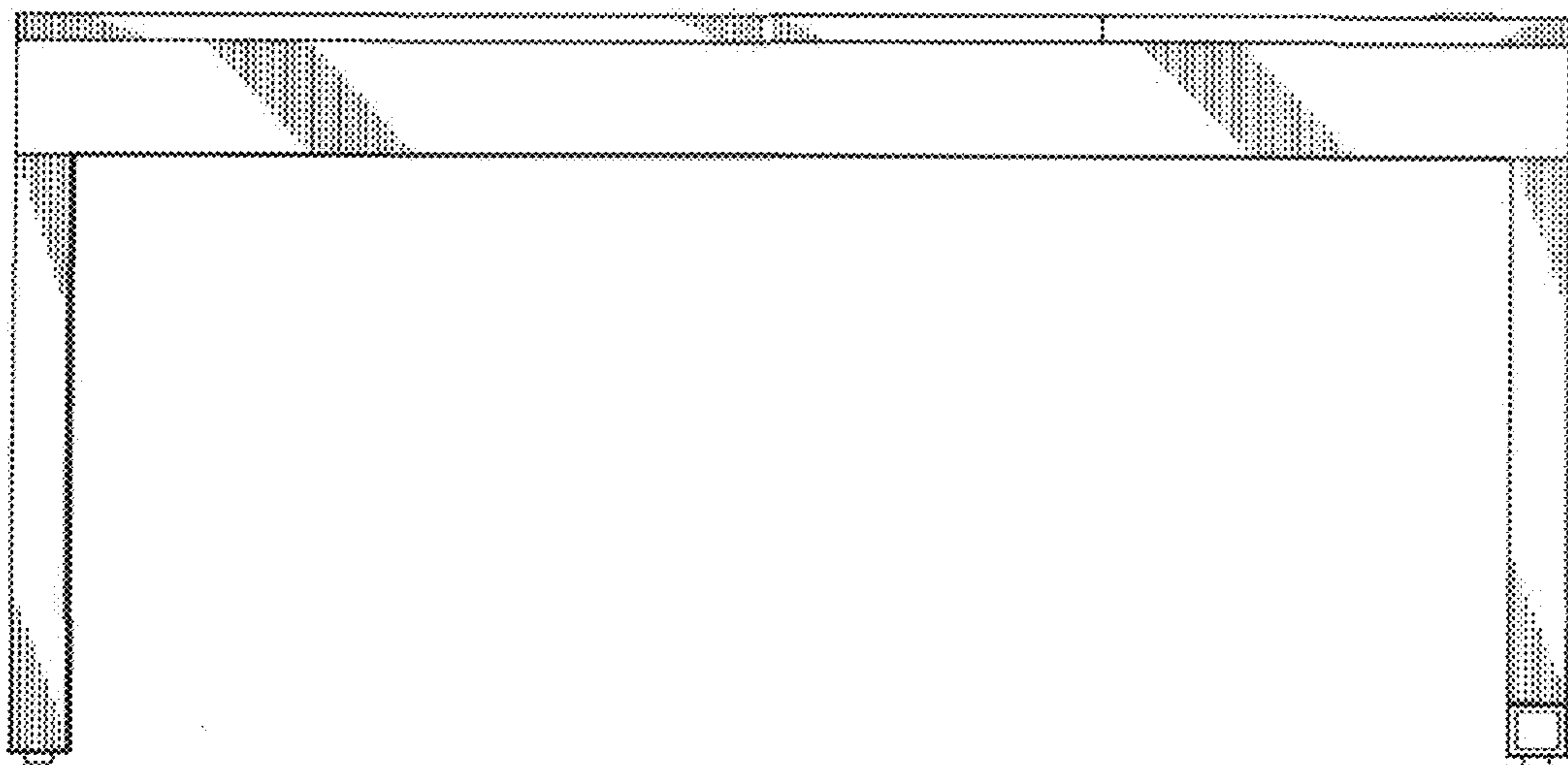


FIG. 3

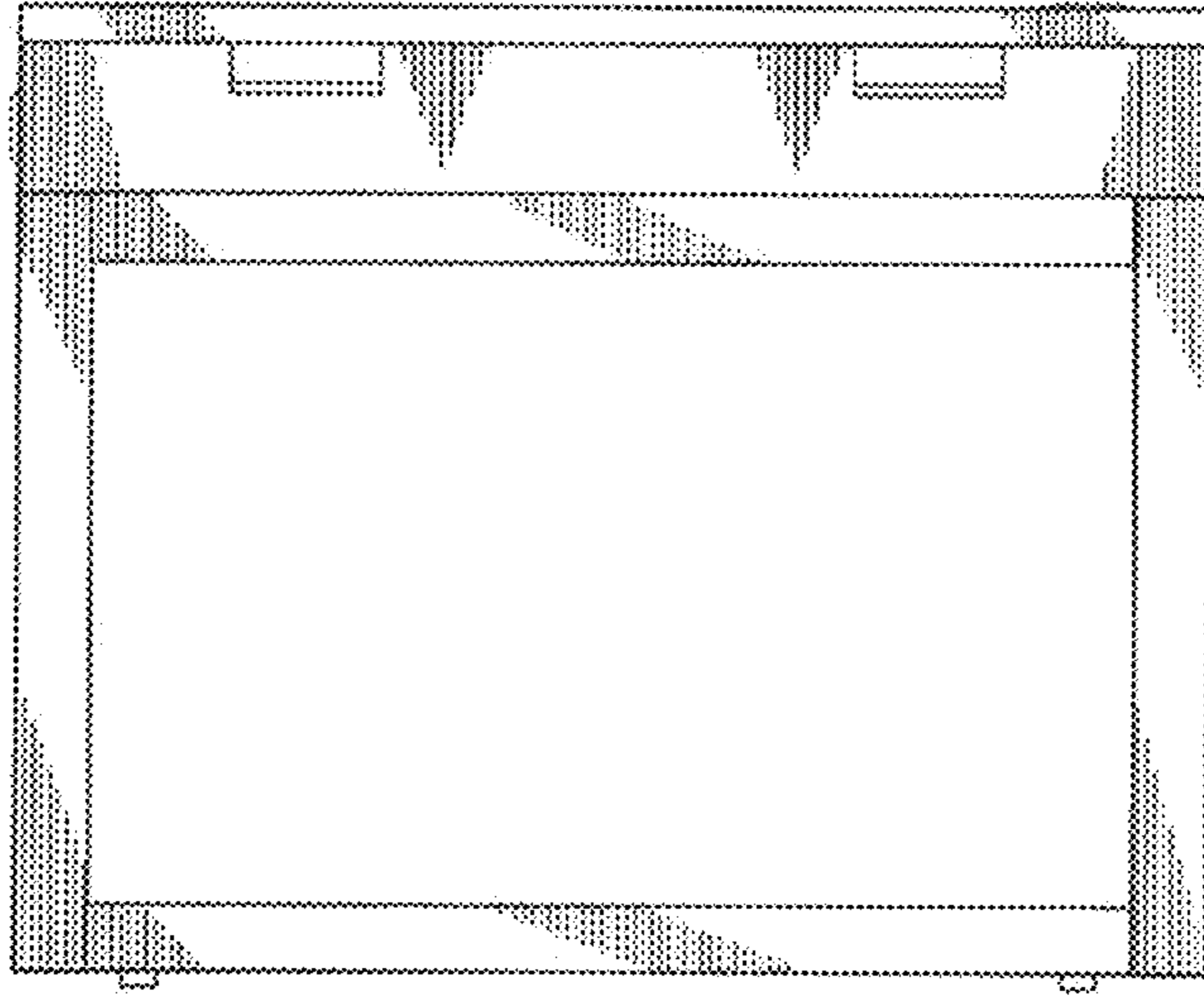


FIG. 4

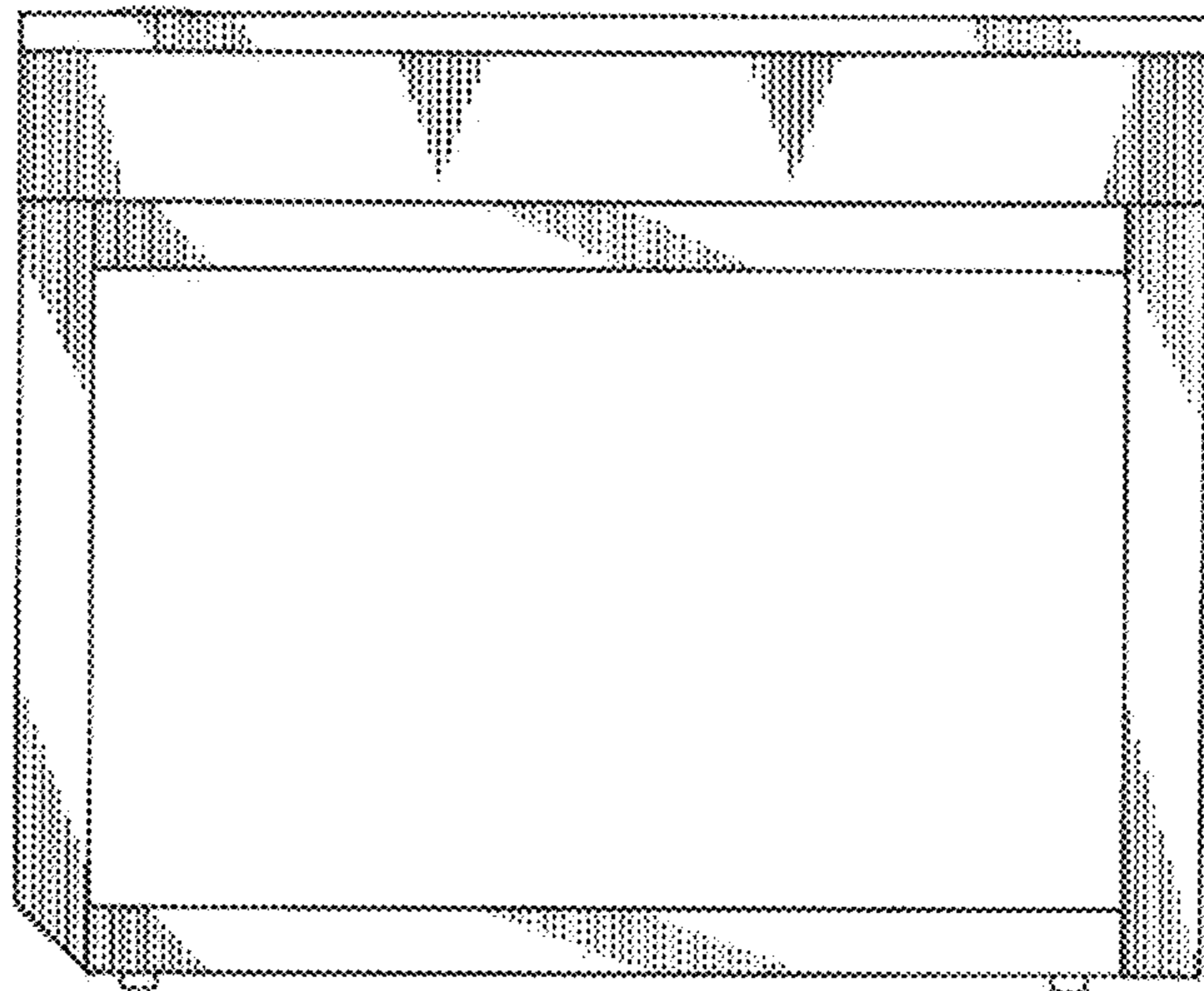


FIG. 5

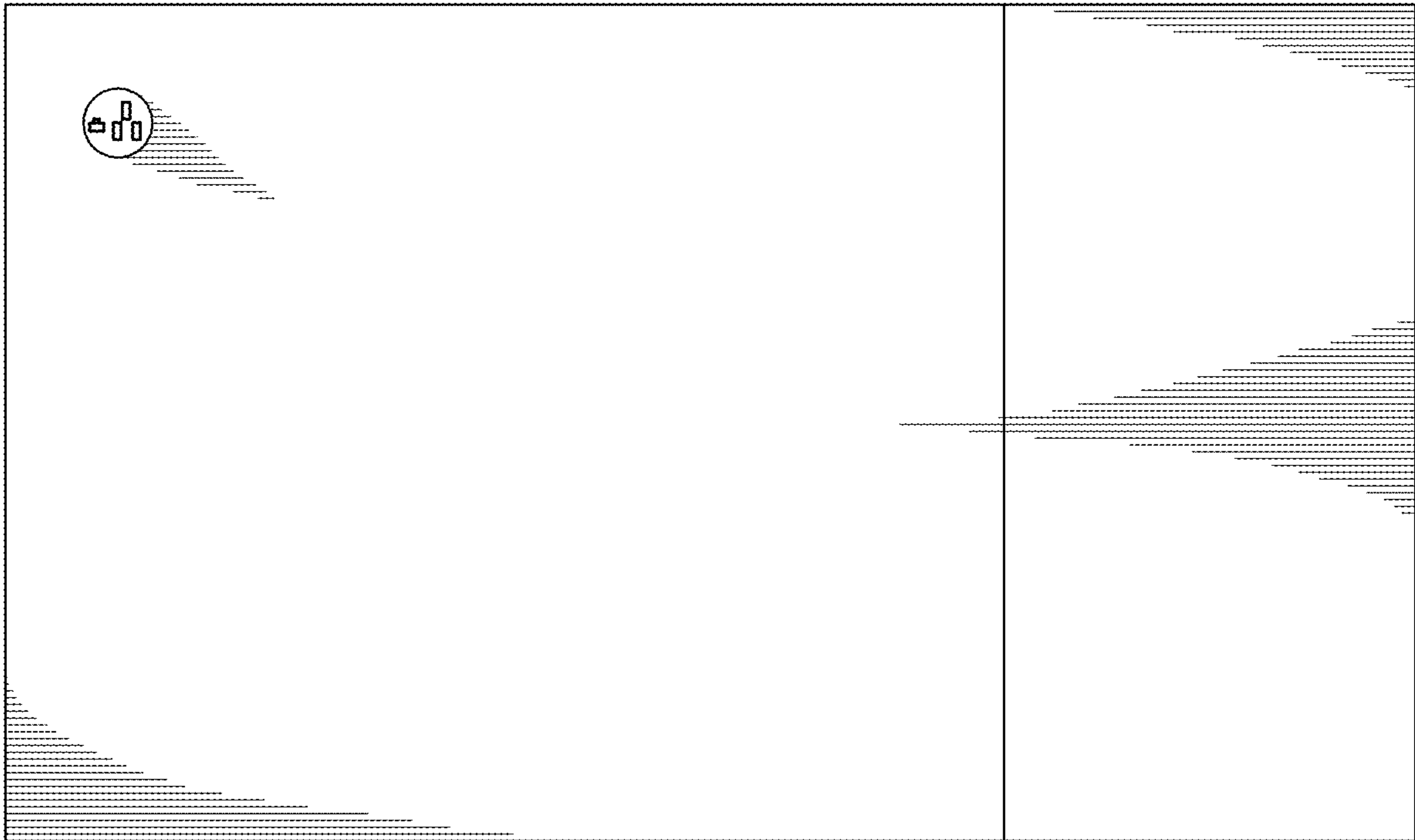


FIG. 6



FIG. 7

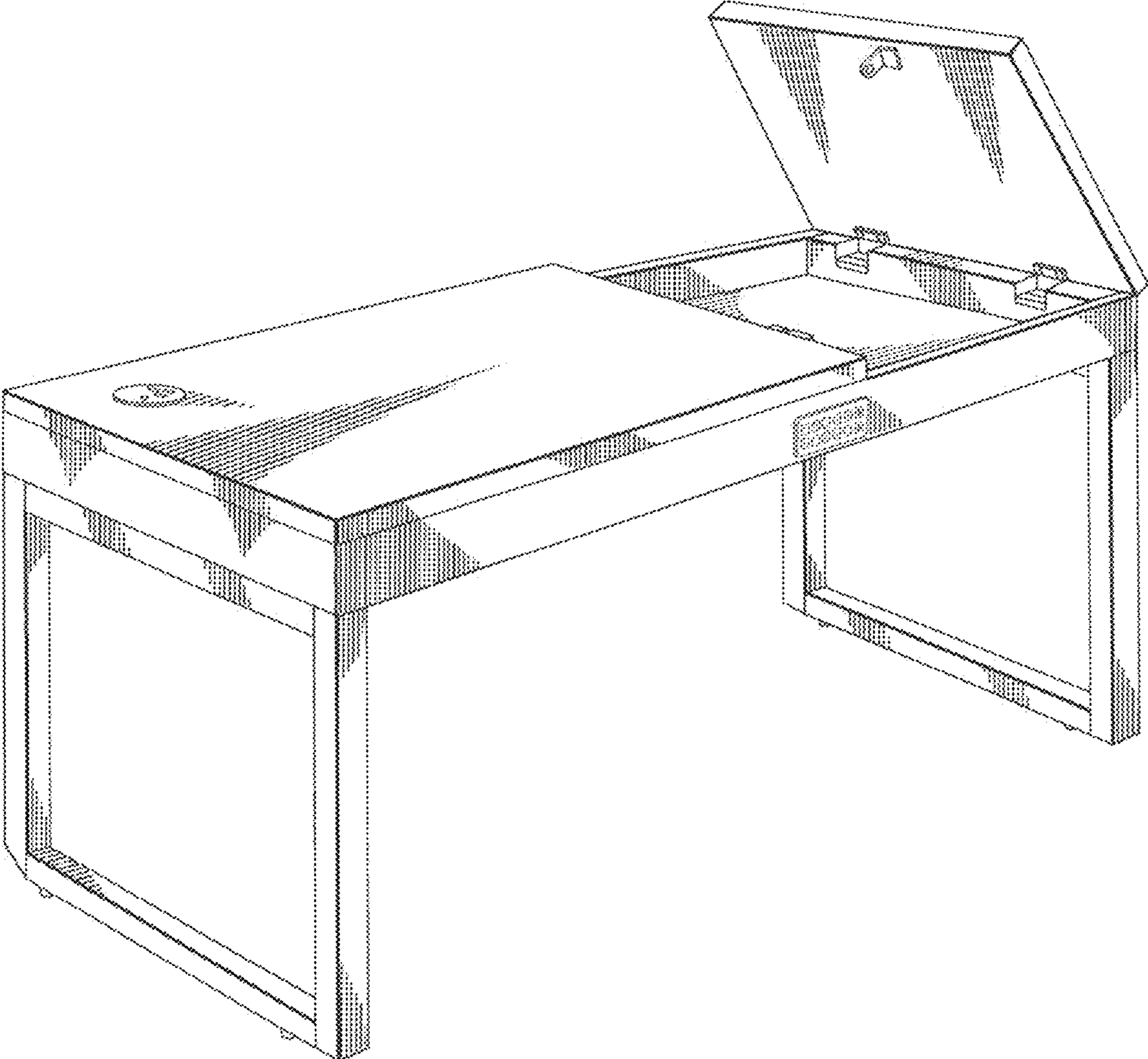


FIG. 8