



US00D961964S

(12) **United States Design Patent**
Duhadway

(10) **Patent No.:** **US D961,964 S**

(45) **Date of Patent:** **** Aug. 30, 2022**

- (54) **DESK**
- (71) Applicant: **WALKER EDISON FURNITURE COMPANY LLC**, West Jordan, UT (US)
- (72) Inventor: **Tiffany Duhadway**, Salt Lake City, UT (US)
- (73) Assignee: **Walker Edison Furniture Company LLC**, West Jordan, UT (US)

- 2,545,253 A 3/1951 Bergson
- D169,375 S 4/1953 Knoll
- D177,195 S * 3/1956 Smith D6/691.6
- D179,871 S 3/1957 Wrablica
- D181,602 S 12/1957 Polk
- D183,576 S 9/1958 Joseph
- D187,188 S 2/1960 Schrift-Gross
- D187,232 S 2/1960 Theodore
- D188,196 S 6/1960 Lubberts
- D194,573 S 2/1963 Owendale

(Continued)

- (**) Term: **15 Years**
- (21) Appl. No.: **29/767,928**
- (22) Filed: **Jan. 26, 2021**
- (51) **LOC (13) Cl.** **06-03**
- (52) **U.S. Cl.**
USPC **D6/655.22**
- (58) **Field of Classification Search**
USPC D6/641, 642, 644, 647, 648.1, 648.4,
D6/650.1, 651, 653.1, 653.18, 655, 655.1,
D6/655.18, 655.22, 656, 691-691.9
CPC A47B 7/00; A47B 13/00; A47B 13/03;
A47B 13/02; A47B 13/04; A47B 13/06;
A47B 13/08; A47B 2200/0001; A47B
22/0011; A47B 2200/0035; A47B 21/00;
A47B 21/03; A47B 21/034
See application file for complete search history.

(56) **References Cited**

U.S. PATENT DOCUMENTS

- 606,845 A 7/1898 Simmons
- 1,549,586 A 8/1925 Marsh
- D96,633 S 8/1935 Swanson
- D104,153 S 4/1937 Wilson
- D120,370 S 5/1940 Bach
- D146,845 S 6/1947 Bach
- D146,846 S 6/1947 Bach
- D154,440 S 7/1949 Taubert

OTHER PUBLICATIONS

Metal and Glass Two Tier Desk by Silver Orchid, first available: Unknown. Overstock.com [online], [site visited Feb. 15, 2022], Internet URL: <https://www.overstock.com/Home-Garden/Silver-Orchid-48-inch-Metal-and-Glass-Two-Tier-Desk/32021906/product.html> (Year: 2022).*

(Continued)

Primary Examiner — Steven J Czyz
Assistant Examiner — Hillary Catherine Shepard
(74) *Attorney, Agent, or Firm* — Workman Nydegger

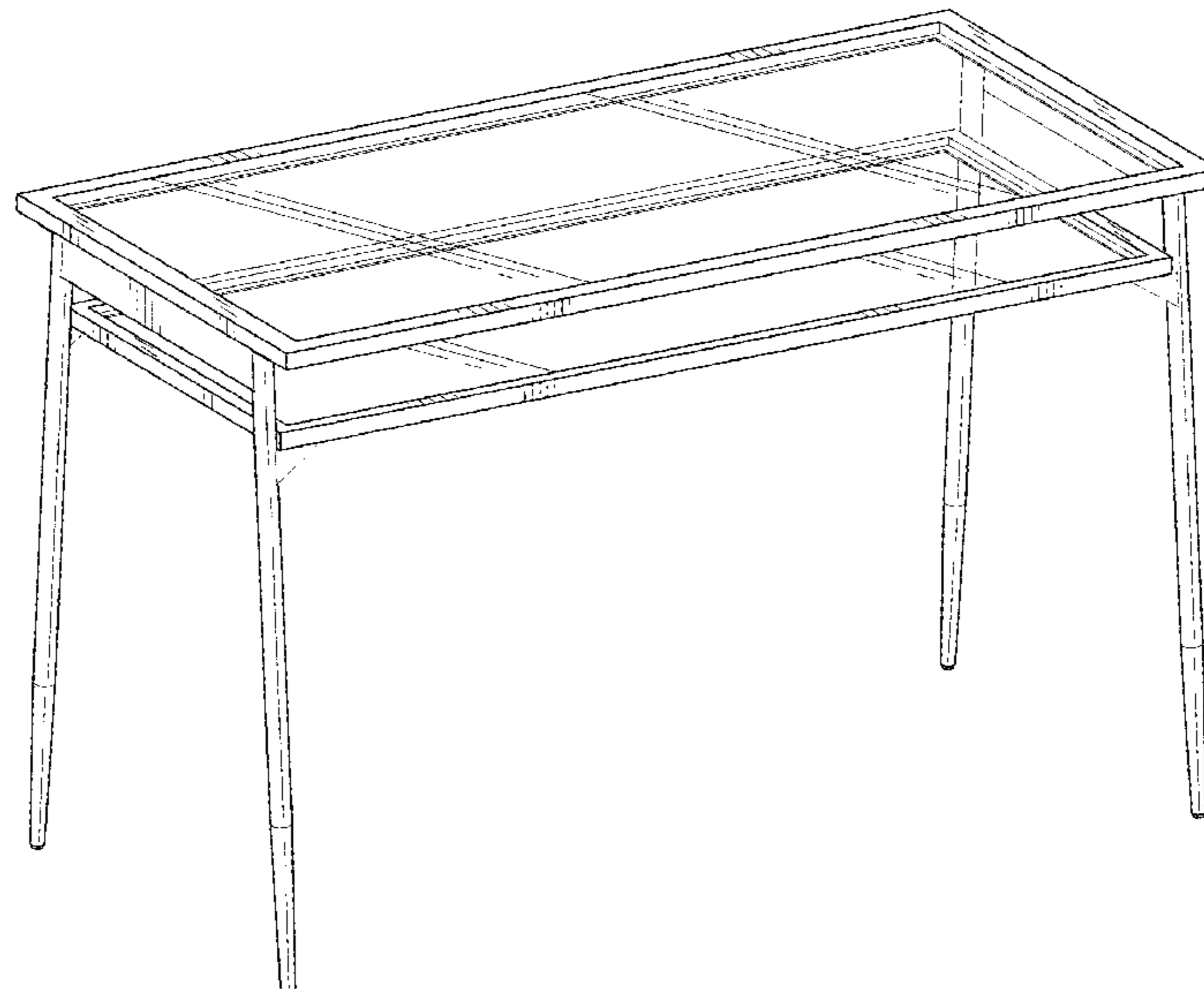
(57) **CLAIM**

The ornamental design for a desk, as shown and described.

DESCRIPTION

FIG. 1 is a front perspective view of a desk showing the new design;
FIG. 2 is a front elevation view thereof;
FIG. 3 is a back elevation view thereof;
FIG. 4 is a top plan view thereof;
FIG. 5 is a bottom plan view thereof;
FIG. 6 is a right elevation view thereof; and,
FIG. 7 is a left elevation view thereof.
The broken lines in the drawings are for the purpose of illustrating portions of the article that form no part of the claimed design.

1 Claim, 4 Drawing Sheets



(56)

References Cited

U.S. PATENT DOCUMENTS

D200,783 S	4/1965	Carr	D546,503 S	7/2007	Kreiss
3,243,246 A	3/1966	Eversman	D549,025 S	8/2007	Van Alstyne
D155,976 S	11/1967	Dimham	D552,885 S	10/2007	Saotome
D209,404 S	11/1967	Edwin	D574,635 S	8/2008	Eustace
3,359,930 A	12/1967	Schreyer	D584,073 S	1/2009	Mohundro
D220,443 S	4/1971	Beavers	D588,380 S	3/2009	Bucholz
D228,106 S	8/1973	Klotz	D592,435 S	5/2009	Jasman
3,806,219 A	4/1974	Ahmann	D608,568 S	1/2010	Manz
D234,735 S	4/1975	Podell	7,640,869 B2	1/2010	Leng
D237,337 S	10/1975	Peets	7,641,294 B1	1/2010	Goldberg
3,920,298 A	11/1975	Lopez	D611,748 S	3/2010	Stephens
D242,969 S	1/1977	Carter	D614,889 S	5/2010	Van Duysen
D243,813 S	3/1977	Pratt	D618,016 S	6/2010	Metcalf
D244,072 S	4/1977	Schaecher	D618,936 S	7/2010	Xu
D261,712 S	11/1981	Ferdinand	D618,939 S	7/2010	Gibbs
4,326,760 A	4/1982	Ziegelheim	D620,732 S	8/2010	Andrews
4,445,731 A	5/1984	Ahmann	D624,336 S	9/2010	Schultz
D278,294 S	4/1985	Dau	D626,759 S	11/2010	Joh
D281,555 S	12/1985	Levy	D626,767 S	11/2010	Lucci
D288,880 S	3/1987	Favaretto	D632,115 S	2/2011	Gibbs
D290,913 S	7/1987	Righter	D632,900 S	2/2011	Goldberg
D293,181 S	12/1987	Solaro	D635,376 S	4/2011	Cortivo
D302,088 S	7/1989	Burt	D640,075 S	6/2011	Petrick
D304,530 S	11/1989	Bush	D648,568 S	11/2011	Cortivo
D304,979 S	12/1989	Bush	D655,946 S	3/2012	Sexton
D313,518 S	1/1991	Bush	D655,951 S	3/2012	McCurry
D314,112 S	1/1991	Dainty	D662,335 S	6/2012	Schultz
5,082,336 A	1/1992	Munch	D669,704 S	10/2012	Zambelli
D324,963 S	3/1992	LaCour	D669,709 S	10/2012	Nakamura
D326,384 S	5/1992	Burt	D670,105 S	11/2012	Jespersion
D334,856 S	4/1993	Sielaff	D671,339 S	11/2012	Nakamura
D336,394 S	6/1993	Ball	D676,689 S	2/2013	Matsushita
D343,072 S	1/1994	Schulman	D684,406 S	6/2013	Cockrell
D343,311 S	1/1994	Ball	D688,075 S	8/2013	Lucci
D346,078 S	4/1994	Schulman	D695,557 S	12/2013	Carretta
D362,141 S	9/1995	Paus	D703,465 S	4/2014	Weatherly
D362,769 S	10/1995	Paus	D721,525 S	1/2015	Huang
D363,176 S	10/1995	Berry	D721,907 S	2/2015	Boll-Wilson
5,483,901 A	1/1996	Tisbo	D721,908 S	2/2015	Hughes
D367,379 S	2/1996	Nicholson	D723,306 S	3/2015	Kielwasser
D376,711 S	12/1996	Harris	D728,980 S	5/2015	Asner
D378,966 S	4/1997	Helmsderfer	D736,529 S	8/2015	Cohen
D380,624 S	7/1997	Mezger	D742,142 S	11/2015	Everson
D391,421 S	3/1998	Steelman	D746,614 S	1/2016	Sheppard
D391,794 S	3/1998	Helmsderfer	9,254,045 B2	2/2016	Nassif
D397,893 S	9/1998	Helmsderfer	D757,464 S *	5/2016	Chiang D6/642
D406,708 S	3/1999	Hilton	D774,334 S	12/2016	Lawrence
D408,190 S	4/1999	Helmsderfer	D775,877 S	1/2017	Lin
D412,258 S	7/1999	Helmsderfer	D780,469 S	3/2017	Cohen
D412,634 S	8/1999	Helmsderfer	D782,855 S	4/2017	Scagnellato
D440,793 S	4/2001	Iannaccone	D783,316 S	4/2017	Davis
D443,440 S	6/2001	Deimen	D784,742 S	4/2017	Grossinger
D444,313 S	7/2001	Hutton	D785,384 S	5/2017	Betti
D465,941 S	11/2002	Ko	D794,366 S	8/2017	Tsuchiyama
D474,355 S	5/2003	Sexton	D794,982 S	8/2017	Palma
D481,229 S	10/2003	Weaver	D798,084 S	9/2017	Acuff
D486,016 S	2/2004	Stanton	D805,817 S	12/2017	Beckman
D488,320 S	4/2004	De Blois	D807,671 S *	1/2018	Caillouet D6/708
D489,200 S *	5/2004	Antonioni D6/655.21	D808,207 S	1/2018	Davis
D497,742 S	11/2004	Dortch	D815,464 S	4/2018	Caillouet
D501,335 S	2/2005	Stangl	D815,465 S	4/2018	Hannoosh
D503,298 S *	3/2005	Juneau D6/691	D815,466 S	4/2018	Hannoosh
D505,566 S	5/2005	Juneau	D815,467 S	4/2018	Hannoosh
D506,091 S	6/2005	Cioncada	D817,036 S	5/2018	Palma
D509,683 S	9/2005	Mohundro	D818,750 S	5/2018	Hannoosh
D510,492 S	10/2005	Sakurai	D824,703 S *	8/2018	Yamamoto D6/675.1
D512,586 S	12/2005	Cross	D826,599 S	8/2018	Janhs
D519,299 S	4/2006	Boudreau	D826,608 S	8/2018	Pederson
D520,779 S *	5/2006	DeBlois D6/675.1	D829,013 S	9/2018	Velez
D530,548 S	10/2006	McCurry	D829,025 S	9/2018	Davis
D530,941 S	10/2006	Domack	D832,613 S	11/2018	Parikh
D532,999 S	12/2006	Domack	D834,856 S	12/2018	Parikh
D535,116 S	1/2007	Maitland	D845,041 S	4/2019	Davis
D544,275 S	6/2007	Tanus	D845,668 S	4/2019	Parikh
D545,099 S	6/2007	Fernandez	D848,767 S	5/2019	Smrstick
			D850,831 S *	6/2019	Bieschke D6/687
			D850,832 S	6/2019	Bieschke
			D851,964 S *	6/2019	Davis D6/655.11
			D853,160 S	7/2019	Barber

(56)

References Cited

U.S. PATENT DOCUMENTS

D853,161	S	7/2019	Parikh	
D854,864	S	7/2019	Lim	
D859,038	S *	9/2019	Davis	D6/675
D860,687	S	9/2019	Parikh	
D867,033	S	11/2019	Bellini	
D870,493	S	12/2019	Young	
D871,111	S *	12/2019	Parikh	D6/655.1
D874,856	S	2/2020	Davis	
D877,543	S	3/2020	Davis	
D878,822	S	3/2020	Davis	
D882,300	S	4/2020	Li	
D882,996	S	5/2020	Hale	
D885,091	S	5/2020	Davis	
D886,499	S *	6/2020	Davis	D6/691.8
D888,466	S	6/2020	Li	
D891,821	S	8/2020	Li	
D891,823	S	8/2020	Li	
D893,226	S	8/2020	Parikh	
D898,485	S *	10/2020	Pedersen	D6/675
D899,830	S	10/2020	Parikh	
D900,518	S	11/2020	Davis	
D904,084	S	12/2020	Davis	
D904,799	S	12/2020	Li	
D906,020	S	12/2020	Davis	
D906,021	S	12/2020	Davis	
D908,400	S *	1/2021	Wu	D6/656
D908,851	S	1/2021	Lee	
D909,095	S	2/2021	Li	
D909,098	S	2/2021	Li	
D910,341	S	2/2021	Ye	
D911,086	S *	2/2021	Crocker	D6/691.6
D915,799	S *	4/2021	Davis	D6/675
D916,537	S	4/2021	Davis	
D917,934	S	5/2021	Chu	
D922,103	S	6/2021	Wang	
D927,894	S	8/2021	Jia	
D928,536	S	8/2021	Huang	
D931,026	S	9/2021	Crocker	
D931,654	S	9/2021	Li	
D931,656	S	9/2021	Li	
D931,657	S	9/2021	He	
D932,819	S	10/2021	Parikh	
D937,014	S *	11/2021	Jackson	D6/655.11
2002/0020655	A1	2/2002	McKsymick	
2007/0169673	A1	7/2007	Tseng	
2010/0018442	A1	1/2010	Knudsen	
2010/0186640	A1	7/2010	Leng	
2011/0061571	A1	3/2011	Hilde	
2014/0239136	A1 *	8/2014	Ortega	A01G 9/20 248/165
2014/0265754	A1 *	9/2014	Patterson	A47B 87/005 312/111

OTHER PUBLICATIONS

Glass Desk by Three Posts, first available: Sep. 11, 2020. Wayfair.com [online], [site visited Feb. 15, 2022], Internet URL: <https://www.wayfair.com/furniture/pdp/three-posts-stivers-glass-desk-w003445169.html> (Year: 2020).*

Stoughton Glass Desk by MilanHome, first available: Jan. 7, 2021. Amazon.com [online], [site visited Feb. 15, 2022], Internet URL: https://www.amazon.com/Stoughton-Glass-Desk-Overall-Finished/dp/B08RXTZFCJ/ref=sr_1_198 (Year: 2021).*

U.S. Appl. No. 29/634,908, filed Jan. 25, 2018, Davis.
 U.S. Appl. No. 29/634,915, filed Jan. 25, 2018, Davis.
 U.S. Appl. No. 29/656,481, filed Jul. 12, 2018, Davis.
 U.S. Appl. No. 29/699,080, filed Jul. 23, 2019, Davis.
 U.S. Appl. No. 29/743,233, filed Jul. 20, 2020, Packer.
 U.S. Appl. No. 29/743,595, filed Jul. 22, 2020, Packer.
 U.S. Appl. No. 29/797,125, filed Jun. 29, 2021, Duhadway.
 U.S. Appl. No. 29/797,134, filed Jun. 29, 2021, Duhadway.
 U.S. Appl. No. 29/797,347, filed Jun. 30, 2021, Duhadway.

U.S. Appl. No. 29/796,669, filed Jun. 25, 2021, Naylor.
 U.S. Appl. No. 29/818,157, filed Dec. 7, 2021, Duhadway.
 Metal Coffee Table; <https://www.overstock.com/Home-Garden/42-Metal-Coffee-Table-42-x-24-x-18h/15951452/product.html> Retrieved on Nov. 13, 2018.
 Madelyn Urban Blend Wood Dining Table, posted at Allmodern.com, posted on Apr. 29, 2017, site visited Mar. 8, 2019. online, available from internet: <https://www.allmodern.com/furniture/pdp/madelyn-urban-blend-wood-dining-table-lrfy7130.html?piid=20742762#2izwgxw61p-7> (Year: 2017).
 BonVIVO Designer Coffee Table, posted at Amazon.com, posted on Feb. 15, 2017, site visited Mar. 8, 2019. online, available from internet: <https://www.amazon.com/bonVIVO-Designer-Coffee-Donatella-Natural/dp/B06VVXJ6BH> (Year: 2017).
 48" Angle Iron Wood Dining Table Barnwood by Walker Edison Furniture Company—Amazon.com <https://www.amazon.com/W-Designs-Angle-Dining-Barnwood/dp/B0719416WK> retrieved from the internet on Sep. 8, 2019.
 Mireille Acrylic Coffee Table—Houzz.com <https://www.houzz.com/products/mireille-acrylic-coffee-table-prvw-vr~75509456>, retrieved from the internet on Dec. 5, 2019.
 Y leg coffee table—Walker Edison Furniture Company, <http://tyronetees.info/walker-edison-furniture-company/>, retrieved from the internet on Dec. 5, 2019.
 Silver Orchid Ipsen Coffee Table—Overstock.com—retrieved from the internet on Dec. 5, 2019, <https://www.overstock.com/Home-Garden/42-Modern-Y-Base-Coffee-Table-42-x-22-x-18h/20272628/product.html?refcicid=HGEC4SSBYVX2DRKE6RT64Z32A4&searchidx=0&option=33674622&kwds=Silver%20rchip%20lpsen%2042-inch&rfmt=>.
 Pallet Coffee Table with Patterened Top—Pinterest <https://www.pinterest.com/pin/421227371379534170/> retrieved from the internet on Dec. 29, 2020.
 Kirkland's; Mara Glass and Black Metal Coffee Table; retrieved on Mar. 12, 2021; https://www.kirklands.com/product/Furniture/Living-Room-Furniture/Coffee-Tables/Mara-Glass-and-Black-Metal-Coffee-Table/pc/2285/c/3058/sc/2609/224973.uts?cid=cse_google&gclid=Cj0KCQjw4dr0BRCxARIsAKUNjWTgvNSa0TFS_9BwWAKj-yLxfmqPii994XFcgkoGh-wJ5MPQ8mnlz8aApieEALw_wcB.
 Bridgeport Outdoor 36' Square Poly Lumber Dining Table; Found online on Mar. 29, 2021 at <https://leadersfurniture.com/bridgeport-outdoor-36-square-poly-lumber-dining-table/>.
 Stein World Furniture Bridgeport Sofa Table, Weathered Grey; Found online on 3/29/201 at <https://www.amazon.com/stein-world-furniture-bridgeport-weathered/dp/BOOJS12P5A>.
 Table—Item#AF44MATCT, assembly instruction; found online Jun. 5, 2020; retrieved on May 3, 2021 (online); <https://images.homedepot-static.com/catalog/pdfImages/04/0401cbaa-4bcc-4c4b-9c06-f382a920f87c.pdf>.
 Emiliano End Table; Wayfair.com; found online Apr. 21, 2021; retrieved May 5, 2021 (online); https://www.wayfair.com/furniture/pdp/emiliano-end-table-with-storage-w003045594.html?categoryid=414604&placement=8&slot=5&sponsoredid=55e3ea67d482513ccd907812431688c72f887a20472fa22ebd69af379f96157&_txid=I%2FcmXF%2B1R6opLCeuuZUzAg%3D%3D&isB2b=0&auctionId=e4f918a7-5847-46ec-9233-f4883f0dc71d.
 Krantz Coffee Table; Wayfair.com; found online Apr. 21, 2021; retrieved May 5, 2021 (online); <https://www.wayfair.com/furniture/pdp/loon-peak-krantz-coffee-table-with-storage-w003001470.html>.
 Bronson 4 Legs Coffee Table; Wayfair.com; found online Apr. 21, 2021; retrieved May 5, 2021 (online); <https://www.wayfair.com/furniture/pdp/bronson-4-legs-coffee-table-w002922392.html>.
 McKay Coffee Table; Wayfair.com; found online Apr. 21, 2021; retrieved May 5, 2021 (online); https://www.wayfair.com/furniture/pdp/17-stories-mckay-coffee-table-with-storage-w001736935.html?categoryid=414602&placement=7&slot=2&sponsoredid=8ff2d9f7d69f6264c3db411de4b616d6fdc3901b2e41caccb2bb2ee711c34ccf&_txid=I%2FcmXF%2B1Ss1SLXzAcr9TAG%3D%3D&isB2b=0&auctionId=ed328372-bd32-4335-a3b2-2174292d3029.
 Katharyn Frame Coffee Table; Wayfair.com; found online Apr. 21, 2021; retrieved May 5, 2021 (online); <https://www.wayfair.com/furniture/pdp/williston-forge-katharyn-frame-coffee-table-w002601540.html>.

(56)

References Cited

OTHER PUBLICATIONS

Bancroft Glass Top End Table; Wayfair.com; found online Apr. 21, 2021; retrieved May 5, 2021 (online); <https://www.wayfair.com/furniture/pdp/everly-quinn-bancroft-glass-top-end-table-w003138986.html>.

West Elm Website “furniture” search; Westelm.com; retrieved Apr. 20, 2020 (online); https://www.westelm.com/shop/furniture/?searchedir=true&cm_sp=HeaderLinks-_-OnsiteSearch-_-MainSite&cm_type=OnsiteSearch&term=furniture&searchredirtype=br.

Walker Edison Blog Post, How to Style an Entryway to Impress; walkerredisonshop.com; retrieved Apr. 8, 2021 (online); <https://walkerredisonshop.com/blogs/news>.

Raymour Flanigan Website “Living Rooms” search; raymourflanigan.com; retrieved Nov. 6, 2020 (online); <https://raymourflanigan.com/living-rooms>.

Pacific Green Website “Our Collection” search; pacificgreen.net; retrieved Nov. 6, 2020 (online); <http://www.pacificgreen.net/collection/>.

Crate and Barrel Website “Business Interior Design” search; crateandbarrel.com; retrieved Nov. 6, 2020 (online); https://www.crateandbarrel.com/trade-program/?a=784&campaignid=1061902950&adgroupid=55881134521&targetid=aud-1097585102856:kwd-415008832538&adpos=&creative=251673559670&device=c&matchtype=e&network=g&gclid=Cj0KCQjwytOEBhD5ARIsANnRjVgCRKanmeP5yMquG6rsNP7KAU-nUpzG5NfgZU-PhRCRUgz507lttMaAhvLEALw_wcB.

Crate and Barrel Website “Business Office Design” search; crateandbarrel.com; retrieved Nov. 6, 2020 (online); <https://www.crateandbarrel.ca/trade-program/>.

Urban Wood Goods Website; urbanwoodgoods.com; retrieved Nov. 6, 2020 (online); https://urbanwoodgoods.com/?gclid=Cj0KCQjwytOEBhD5ARIsANnRjVjosDOY-qph1qh4aR1ZtVcUEoz4sYGbP_dI5pgF4uBwJXNcdEdWxWkaAge3EALw_wcB.

Furniture Mall of Kansas Website “dining room furniture, dining tables, Brideport” search; furnitremallofkansas.com; retrieved May 13, 2020 (online); <https://www.thefurnituremall.com/shop-dining-room/dining-tables/fusion-d-esigns-a-bttb-bridgeport-table.html>.

Stein World Living Room Bridgeport Round End Table 611-023, retrieved from BenningtonFurniture.com on May 13, 2020 (online). Winhome Furniture Collection, found online May 20, 2021 at <https://www.whfurni.com/collections/all, and> retrieved Jun. 3, 2021.

Knobel Modern Coffee Table, retrieved from https://www.amazon.com/Knobel-Modern-Rectangle-Waterproof-Tabletop/dp/B086X8DF7B/ref=sr_1_802?dchild=1&m=A3P20C6SOQ47R1&marketplaceID=ATVPDKIKX0DER&qid=1627316205&s=merchant-items&sr=1-802&th=1, available on information and belief as of Apr. 2, 2020; retrieved on Aug. 18, 2021.

Knobel Arc-Shaped Dining Table with Metal Legs, retrieved from https://www.amazon.com/Knobel-Arc-Shaped-Dining-Capacity-Marble/dp/B085XZKDLH/ref=sr_1_817?dchild=1&m=A3P20C6SOQ47R1&marketplaceID=ATVPDKIKX0DER&qid=1627316224&s=merchant-items&sr=1-817, available on information and belief as of Mar. 16, 2020; Retrieved on Aug. 18, 2021.

Sha Cerlin Modern Farmhouse Wood Side Table, retrieved from https://www.amazon.com/Farmhouse-X-Shaped-Support-Cocktail-Storage/dp/B097BNFB4T/ref=zg_bs_3733631_33?encoding=UTF8&refRID=661REG95PF2MHP5NG4DJ&th=1, available on information and belief as of Jun. 16, 2021; Retrieved on Aug. 18, 2021. Aarez End Table, retrieved from <https://www.wayfair.com/furniture/pdp/gracie-oaks-aarez-end-table-w004904728.html?piid=1157214008%2C1157214009> on Sep. 23, 2021.

Evangelista End Table by Laurel Foundry Modern Farmhouse, retrieved from <https://www.wayfair.com/furniture/pdp/evangelista-end-table-with-storage-w001315644.html?piid=&placement=3> on Sep. 23, 2021.

JAXSUNNY Modern Farmhouse Coffee Table with Storage Shelf, Wood Look Rustic Coffee Table w/Metal X Frame, Accent Cocktail Table for Living Room, Grey Wash; retrieved from https://www.amazon.com/JAXSUNNY-Storage-Cocktail-Farmhouse-Assembly/dp/B089ZTCXXG?ref=ast_sto_dp; found online on Sep. 27, 2021.

15.5 in. W Rustic Natural Wood Square Particle Board End Table; https://www.homedepot.com/p/15-5-in-W-Rustic-Natural-Wood-Square-Particle-Board-End-Table-WHIF1341/317384810?&irgwc=1&cm_mmc=afl-ir-33720-459920-RealSimple&clickid=X7TQwCjTxyITsw1%3A2sxUYiUkBXI0x5uTroQs0; Found online Nov. 12, 2021, Retrieved on Dec. 17, 2021.

LuxenHome 4 Piece Light Oak Wood Farmhouse Living Room Set; <https://www.cymax.com/LuxenHome-4-Piece-Farmhouse-Living-Room-Set-2318717-PKG.htm>; Found online Nov. 12, 2021, Retrieved on Dec. 17, 2021.

LuxenHome White Oak Wood Metal X-Frame End Table; https://www.amazon.com/LuxenH%C3%B6me-White-Metal-X-Frame-Table/dp/B097TTPW98?ref=ast_sto_dp; Found online Nov. 12, 2021, Retrieved on Dec. 17, 2021.

39.37 in. L Rectangle Natural Wood Wood Sofa Console Table (Seats 4); https://www.homedepot.com/p/39-37-in-L-Rectangle-Natural-Wood-Wood-Sofa-Console-Table-Seats-4-WHIF1343/317384846?&irgwc=1&cm_mmc=afl-ir-33720-459920-RealSimple&clickid=X7TQwCjTxyITsw1%3A2sxUYiUkBXI0yduTroQs0; Found online Nov. 12, 2021, Retrieved on Dec. 17, 2021.

Lockland End Table; Gracie Oaks; <https://www.wayfair.com/furniture/pdp/gracie-oaks-lockland-end-table-with-storage-w004232430.html>; Found online Nov. 12, 2021, Retrieved on Dec. 17, 2021.

Acquanette Glass Frame End Table Set; Gracie Oaks; <https://www.wayfair.com/furniture/pdp/gracie-oaks-traditional-end-table-with-wood-frame-tempered-glass-tabletop-and-underneath-storage-shelf-white-oak-w002180600.html>; Found online Nov. 12, 2021, Retrieved on Dec. 17, 2021.

Christos Floor Shelf End Table, Gracie Oaks; <https://www.wayfair.com/furniture/pdp/gracie-oaks-christos-floor-shelf-end-table-with-storage-w001279213.html>; Found online Nov. 12, 2021, Retrieved on Dec. 17, 2021.

Avent Coffee Table with Storage; <https://www.wayfair.com/furniture/pdp/gracie-oaks-avent-coffee-table-with-storage-w002719615.html>; Found online Nov. 12, 2021, Retrieved on Dec. 17, 2021.

Fordingbridge Coffee Table with Storage; Gracie Oaks; <https://www.wayfair.com/furniture/pdp/gracie-oaks-fordingbridge-coffee-table-with-storage-w001410845.html>; Found online Nov. 12, 2021, Retrieved on Dec. 17, 2021.

Silex Solid Wood Coffee Table with Storage; Gracie Oaks; <https://www.wayfair.com/furniture/pdp/gracie-oaks-silex-solid-wood-coffee-table-with-storage-w003150620.html>; Found online Nov. 12, 2021, Retrieved on Dec. 17, 2021.

Harton 48.03" Console Table, Gracie Oaks; <https://www.wayfair.com/furniture/pdp/gracie-oaks-lucca-console-table-w002092952.html>; Found online Nov. 12, 2021, Retrieved on Dec. 17, 2021.

Theobald End Table, Gracie Oaks; <https://www.wayfair.com/furniture/pdp/gracie-oaks-theobald-end-table-with-storage-w005274882.html>; Found online Nov. 12, 2021, Retrieved on Dec. 17, 2021.

Fordingbridge End Table; <https://www.wayfair.com/furniture/pdp/gracie-oaks-fordingbridge-end-table-w001410789.html>; Found online Nov. 12, 2021, Retrieved on Dec. 17, 2021.

FurnitureR Modern Coffee Table Occsional Living Room Table TV Stand Table with Storage Shelves (Walnut); <https://www.amazon.com/FurnitureR-Modern-Occsional-Storage-Shelves/dp/B07LG7ZH7H?th=1>; Found online Nov. 12, 2021, Retrieved on Dec. 17, 2021.

FurnitureR Industrial Square Side End Accent Table 19.7-in—Dark Brown; <https://www.lowes.ca/product/coffee-tables/furniture-industrial-square-side-end-accent-table-197-in-dark-brown-330744823>; Found online Nov. 12, 2021, Retrieved on Dec. 17, 2021.

FurnitureR Grain 43.3 in. Black Rectangular Glass Coffee Table; <https://www.homedepot.com/p/FurnitureR-Grain-43-3-in-Black-Rectangular-Glass-Coffee-Table-GRAIN-GLASS/315275696>; Found online Nov. 12, 2021, Retrieved on Dec. 17, 2021.

FurnitureR Vintage Coffee Table Side Table with Storage, Wooden Color Cocktail Table with Storage Shelf for Living Room; <https://www.amazon.com/FurnitureR-Vintage-Coffee-Storage-Cocktail/dp/B083J156N2>; Found online Nov. 12, 2021, Retrieved on Dec. 17, 2021.

(56)

References Cited

OTHER PUBLICATIONS

Industrial style 3 tier storage shelf in black metal and dark wood effect—Honourable Glass; <https://www.homycasa.com/collections/study-room/products/honourable-glass>; Found online Nov. 12, 2021, Retrieved on Dec. 17, 2021.

FurnitureR 3-Tier Console Table, Modern Entry Tables with Open Shelf, Glass Top, Accent Living Room Vintage Wooden Color Sofa Table, Entryway Furniture; <https://www.amazon.com/FurnitureR-3-Tier-Console-Accent-Vintage/dp/B07L3WCTRR>; Found online Nov. 12, 2021, Retrieved on Dec. 17, 2021.

FurnitureR Vexa Beech Color Dining Table; <https://www.homedepot.com/p/FurnitureR-Vexa-Beech-Color-Dining-Table-Vexa-I/311452254>; Found online Nov. 12, 2021, Retrieved on Dec. 17, 2021.

Kenna XJR LMKZ; <https://houseinbox.com/forestage/foreGoodsDetails?aname=KENNA%20XJR%20LMKZ&anumber=0500400006576>; Found online Nov. 12, 2021, Retrieved on Dec. 17, 2021.

Deberry 4—Person Dining Set; <https://www.wayfair.com/furniture/pdp/foundry-select-deberry-3-piece-dining-set-w002777951.html>; Found online Nov. 12, 2021, Retrieved on Dec. 17, 2021.

FurnitureR Carvalho Black Metal Console Table; <https://www.homedepot.com/p/FurnitureR-Carvalho-Black-Metal-Console-Table-CARVALHO-CONSOLE-TABLE-A/315260954>; Found online Nov. 12, 2021, Retrieved on Dec. 17, 2021.

FurnitureR Morden Cross Legs Coffee Table; <https://www.walmart.com/ip/FurnitureR-Morden-Cross-Legs-Coffee-Table/709449853>; Found online Nov. 12, 2021, Retrieved on Dec. 17, 2021.

Furniture R Industrial Office Writing Desk with Metal X Leg; <https://www.newegg.com/p/1HJ-012F-00023>; Found online Nov. 12, 2021, Retrieved on Dec. 17, 2021.

Rustic coffee table plans; <https://www.youtube.com/watch?v=tNCcBBEQCb0>; Found online Nov. 12, 2021, Retrieved on Dec. 17, 2021.

How to make a rustic coffee table with a bottom shelf. Ana White—DIY. Video #4; <https://www.youtube.com/watch?v=jHT1VZPI4Ts>; Found online Nov. 12, 2021, Retrieved on Dec. 17, 2021.

U.S. Appl. No. 29/634,908, dated Mar. 15, 2019, Non-Final Office Action.

U.S. Appl. No. 29/634,908, dated Aug. 6, 2019, Notice of Allowance.

U.S. Appl. No. 29/634,915, dated Sep. 19, 2019, Notice of Allowance.

U.S. Appl. No. 29/656,481, dated Dec. 12, 2019, Non-Final Office Action.

U.S. Appl. No. 29/656,481, dated Mar. 18, 2020, Notice of Allowance.

U.S. Appl. No. 29/699,080, dated Jan. 4, 2021, Office Action.

U.S. Appl. No. 29/699,080, dated Apr. 21, 2021, Notice of Allowance.

Amazon.com, Walker Edison Modern Wood and Metal Wall Mounted Writing Desk Home Office Workstation Small, Jul. 30, 2020, <https://www.amazon.com/Walker-Edison-Mounted-Writing-Workstation/dp/B08D KLN23 H/> (Year: 2020).

Convenience Concepts Tucson 42 in. Black/Cherry Large Rectangle Wood Coffee Table with Shelf; <https://www.homedepot.com/p/Convenience-Concepts-Tucson-42-in-Black-Cherry-Large-Rectangle-Wood-Coffee-Table-with-Shelf-161842/302768747>; found on Apr. 12, 2022; retrieved Jun. 2, 2022.

Wrenshall 4 Legs Coffee Table with Storage by Breakwater Bay; <https://www.wayfair.com/furniture/pdp/breakwater-bay-wrenshall-4-legs-coffee-table-with-storage-w000297227.html?piid=206567667#0ntlalza15u-3> found on Apr. 12, 2022; retrieved Jun. 2, 2022.

Hampton Pure White End Table; <https://www.homedepot.com/p/International-Concepts-Hampton-Pure-White-End-Table-OT08-70E/301841597> found on Apr. 12, 2022; retrieved Jun. 2, 2022.

Gannett 22' Tall End Table; <https://www.wayfair.com/furniture/pdp/august-grove-gannett-end-table-with-storage-w004698268.html?piid=975687093%2C975687088>; retrieved on Apr. 26, 2022.

EDYO LIVING Coffee Table Industrial Metal Legs with Storage Shelf for Living Room, Modern Farmhouse Coffee Table (Grey/Espresso); https://www.amazon.com/EDYO-LIVING-Industrial-Farmhouse-Expresso/dp/B09B6N32BT/ref=sr_1_13?keywords=Coffee+Table+Farmhouse&qid=1636678977&sr=8-13; retrieved on Apr. 26, 2022.

Harton 48.03' Console Table; <https://www.wayfair.com/furniture/pdp/gracie-oaks-lucca-console-table-w002092952.html>; retrieved on Apr. 26, 2022.

Rossitano 25" Tall Solid Wood End Table; <https://www.wayfair.com/furniture/pdp/gracie-oaks-rossitano-end-table-hlds6279.html>; retrieved on Apr. 26, 2022.

Persephone TV Stand for TVs up to 55"; <https://www.wayfair.com/furniture/pdp/sand-stable-persephone-tv-stand-for-tvs-up-to-55-w003215231.html> found on Apr. 12, 2022; retrieved Jun. 2, 2022.

O&K Furniture Rustic Rectangular Coffee Table with Open Bottom Shelf, Industrial Cocktail Table for Living Room, Gray-Brown, 1-Pcs; <https://www.amazon.ae/Furniture-Rectangular-Industrial-Cocktail-Gray-Brown/dp/B076SLXY8C> found on Apr. 12, 2022; retrieved Jun. 2, 2022.

O&K Furniture Industrial Rectangular Cocktail Coffee Table with Storage Shelf for Living Room, Gray Finish; <https://www.importitall.co.za/OK-Furniture-Industrial-Rectangular-Cocktail-Coffee-Table-with-Storage-Shelf-for-Living-Room-Gray-Finish-ap-B07838LTG9.html> found on Apr. 12, 2022; retrieved Jun. 2, 2022.

O&K Furniture 24" Height Square End/Side Table/Night Stand with Open Bottom Shelf, Gray-Brown (1-Pcs); <https://us.amazon.com/Furniture-Height-Square-Bottom-Gray-Brown/dp/B076S8QTSL> found on Apr. 12, 2022; retrieved Jun. 2, 2022.

O&K Furniture Industrial Square Side End Table with Lower Shelf for Living Room & Bedroom, Vintage Brown (1-Pcs); <https://us.amazon.com/Furniture-Industrial-Square-Bedroom-Vintage/dp/B078DXVD1X> found on Apr. 12, 2022; retrieved Jun. 2, 2022.

O&K Furniture Industrial Rustic 2-Tier Occasional Console Sofa Table for Living Room & Entryway, Brown Finish (1-Pcs); https://www.amazon.com/Furniture-Industrial-Occasional-Console-Entryway/dp/B0786FTJC4/ref=sr_1_5?m=A1ATSEO2Z9RH3P&marketplaceID=ATVPDKIKX0DER&qid=1555349664&s=merchant-items&sr=1-5 found on Apr. 12, 2022; retrieved Jun. 2, 2022.

O&K Furniture 2-Tier Industrial Sofa Table, Metal Hall Console Table with Storage Shelf for Living Room and Entryway, Gray Finish (1-Pcs); https://www.amazon.com/Furniture-Industrial-Console-Storage-Entryway/dp/B0786B11F1?ref_=bl_dp_s_web_13673518011 found on Apr. 12, 2022; retrieved Jun. 2, 2022.

Rory Mid Century 1 Drawer Side Table by Walker Edison, first available: Unknown. Amazon.com [online], [site visited Mar. 8, 2022], Internet URL: <https://www.amazon.com/Walker-Edison-Century-Drawer-Caramel/dp/B08LF34J M7?th=1> (Year: 2022).

Mateo Coffee Table by Walker Edison, first available: Unknown. Walkeredison.com [online], [site visited Mar. 8, 2022], Internet URL: <https://walkeredison.com/collections/coffee-tables/products/mateo-coffee-table?variant=32159682592834> (Year: 2022).

Nightstand End Tables with Storage by Catrimown Store, first available: Jun. 4, 2021. Amazon.com [online], [site visited Mar. 8, 2022], Internet URL: https://www.amazon.com/dp/B096M2GZWT/ref=sbl_dp_bedroom-nightstands_B07KXRV19W_O (Year: 2021).

U.S. Appl. No. 29/767,930, dated Jun. 7, 2022, Office Action.

U.S. Appl. No. 29/743,595, dated Jun. 2, 2022, Restriction Requirement.

U.S. Appl. No. 29/573,766, filed Aug. 9, 2016, Davis.

U.S. Appl. No. 29/634,920, filed Jan. 25, 2018, Davis.

U.S. Appl. No. 29/634,929, filed Jan. 25, 2018, Davis.

U.S. Appl. No. 29/656,477, filed Jul. 12, 2018, Davis.

U.S. Appl. No. 29/654,952, filed Jun. 28, 2018, Davis.

U.S. Appl. No. 29/720,947, filed Jan. 16, 2020, Davis.

U.S. Appl. No. 29/743,397, filed Jul. 21, 2020, Packer.

U.S. Appl. No. 29/743,408, filed Jul. 21, 2020, Packer.

U.S. Appl. No. 29/743,410, filed Jul. 21, 2020, Packer.

U.S. Appl. No. 29/743,593, filed Jul. 22, 2020, Packer.

U.S. Appl. No. 29/677,755, filed Jan. 23, 2019, Davis.

(56)

References Cited

OTHER PUBLICATIONS

- U.S. Appl. No. 29/677,761, filed Jan. 23, 2019, Davis.
- U.S. Appl. No. 29/767,930, filed Jan. 26, 2021, Duhadway.
- U.S. Appl. No. 29/768,093, filed Jan. 27, 2021, Duhadway.
- U.S. Appl. No. 29/768,095, filed Jan. 27, 2021, Duhadway.
- U.S. Appl. No. 29/784,675, filed May 20, 2021, Duhadway.
- U.S. Appl. No. 29/796,683, filed Jun. 25, 2021, Naylor.
- U.S. Appl. No. 29/801,168, filed Jul. 27, 2021, Duhadway.
- Small Wooden Desk With Drawers—suspilstvo.info <http://suspilstvo.info/small-wooden-desk-with-drawers/small-wooden-desk-with-drawers-wood-desk-with-drawers-modern-solid-wood-desk-computer-study-show-homes-minimalist-with-drawers-m-wood-desk-with-drawers-small-wood-comput>; retrieved from the internet on Nov. 5, 2018.
- Legend Desk—Harvey Norman <https://www.harveynorman.co.nz/furniture/home-office-equip/desks-and-suites/legend-desk.html>; retrieved from the internet on Nov. 5, 2018.
- Diana Desk with Drawer—walmart.com <https://www.walmart.com/ip/Diana-Desk-with-Drawer/126384407?sourceid=csebr035413>; retrieved from the internet on Nov. 5, 2018.
- 52 in. A-Frame Rustic Faux Marble and Walnut Entry Console Table by Walker Edison Furniture Company—Home Depot <https://www.homedepot.com/p/Walker-Edison-Furniture-Company-52-in-A-Frame-Rustic-Faux-Marble-and-Walnut-Entry-Console-Table-HDF52AFTMNW/302034903>; retrieved from the internet on Sep. 8, 2019.
- 52 A-Frame Rustic Entry Console Table Reclaimed Barnwood—Walmart.com <https://www.walmart.com/ip/52-A-Frame-Rustic-Entry-Console-Table-Reclaimed-Barnwood/561617562>; retrieved from the internet on Sep. 9, 2019.
- 46" Rustic Farmhouse Wood Computer Desk by Walker Edison Furniture Company—Home Depot <https://www.homedepot.com/p/Walker-Edison-Furniture-Company-52-in-A-Frame-Rustic-Faux-Marble-and-Walnut-Entry-Consol-Table-HDF52AFTMNW/302034903>; retrieved from the internet on Sep. 9, 2019.
- 48 in. White Oak Open-Top Storage Bench with Shoe Shelf, [online] Retrieved Oct. 15, 2019 from URL: <https://www.homedepot.com/p/Walker-Edison-Furniture-Company-48-in-White-Oak-Open-Top-Storage-Bench-with-Shoe-Shelf-HD48PCSBWO/303295636>.
- 50" Entryway Bench with Slatted Shelf—50×14×18h. [online] Retrieved Oct. 8, 2019 from URL: <https://www.overstock.com/Home-Garden/50-Entryway-Bench-with-Slatted-Shelf-50-x-14-x-18h/17179515/product.html?option=28693203>.
- Ermont Wood Storage Bench, [online] Retrieved Oct. 8, 2019 from URL: <https://www.allmodern.com/furniture/pdp/ermont-wood-storage-bench-lrfy1915.html>.
- Odetta Desk; anthropologie.com; <https://www.anthropologie.com/shop/odetta-desk?color=006&size=0000>; Retrieved on Aug. 20, 2018.
- Pinterest; Odetta Desk—Anthropologie; <https://www.pinterest.com/pin/33636328453037064/>; Retrieved on Aug. 20, 2018.
- Wayfair; Glenell Floating Desk; retrieved on Mar. 12, 2021; <https://www.wayfair.com/furniture/pdp/latitude-run-glenell-floating-desk-w001974591.html>.
- Wayfair; Coward Executive Desk; retrieved on Mar. 12, 2021; <https://www.wayfair.com/furniture/pdp/union-rustic-coward-executive-desk-lgly7134.html?piid=>.
- Crate and Barrel Website “Business Interior Design” search; crateandbarrel.com; retrieved Nov. 6, 2020 (online); https://www.crateandbarrel.com/trade-program/?a=784&campaignid=1061902950&adgroupid=55881134521&targetid=aud-1097585102856:kwd-415008832538&adpos=&creative=251673559670&device=c&cmatchtype=e&network=g&gclid=Cj0KCQjwytOEBhD5ARIsANnRjVgCRKameP5yMquG6rsNP7KAU-nUpzG5NfgZU-PhRCRUgz507littMaAhvLEALw_wcB.
- Raymour Flanigan Website “Home Office, Office Desk” search; raymourflanigan.com; retrieved Nov. 6, 2020 (online); <https://www.raymourflanigan.com/home-office/office-desks>.
- Borofka’s Furniture Website “Bridgeport, Bookcase, Allison” search; borofkasfurniture.com; retrieved May 13, 2020; <https://www.borofkasfurniture.com/bridgeport-desk-system-1/bballisondesk1-p207/iteminformation.aspx>.
- Writers Desk Elm 77 Black Leather—The Modern Furniture Store <https://themodern.net.au/products/writers-desk-elm-77-black-leather> retrieved from the internet on Jul. 14, 2021.
- Canal Desk by Sand & Sable, first available: Jul. 4, 2020. Wayfair.com [online], [site visited Feb. 15, 2022], Internet URL: <https://www.wayfair.com/furniture/pdp/sand-stable-canal-desk-w004726572.html> (Year: 2020).
- Writing Desk by Carbon Loft, first available: Jun. 3, 2020. Overstock.com [online], [site visited Feb. 15, 2022], Internet URL: <https://www.overstock.com/Home-Garden/Carbon-Loft-42-3-Drawer-Writing-Desk/30680135/product.html#reviewRegion> (Year: 2020).
- Evelyn 3 Drawer Angled Writing Desk by Saracina Home, first available: Unknown. Target.com [online], [site visited Feb. 15, 2022], Internet URL: <https://www.target.com/p/evelyn-3-drawer-angled-writing-desk-with-cord-management-slots-saracina-home/-/A-80698671?preselect=80224904#Ink=sametaB> (Year: 2022).
- Metal X Farmhouse Desk by The Gray Barn, first available: May 20, 2020. Overstock.com [online], [site visited Feb. 15, 2022], Internet URL: <https://www.overstock.com/Home-Garden/The-Grey-Barn-42-Metal-X-Farmhouse-Desk/27989122/product.html?kwd=&rfmt=color%3AGREY&option=64326779> (Year: 2020).
- Arsenault Desk by 17 Stories, first available: Jul. 15, 2019. Wayfair.com [online], [site visited Feb. 15, 2022], Internet URL: <https://www.wayfair.com/furniture/pdp/17-stories-arsenault-desk-w005934740.html> (Year: 2019).
- Englewood Desk by ForestGate, first available: Unknown. Bedbathandbeyond.com [online], [site visited Feb. 15, 2022], Internet URL: <https://www.bedbathandbeyond.com/store/product/forest-gate-englewood-42-inch-desk/5499504?keyword=office-desk> (Year: 2022).
- Mesh Back Writing Desk by Carbon Loft, first available: Sep. 17, 2019. Overstock.com [online], [site visited Feb. 15, 2022], Internet URL: <https://www.overstock.com/Home-Garden/Carbon-Loft-42-Mesh-Back-Writing-Desk/27989012/product.html> (Year: 2019).
- Mesh Back Writing Desk by Walker Edison, first available: Unknown. Englishelm.com [online], [site visited Feb. 15, 2022], Internet URL: <https://englishelm.com/products/walker-edison-42-mesh-back-writing-desk-d42cormbsg-d42cormbro-d42cormbdw?variant=32204581732397> (Year: 2022).
- Mesh Back Writing Desk by Corbin, first available: Unknown. Homesquare.com [online], [site visited Feb. 15, 2022], Internet URL: <https://www.homesquare.com/42-Mesh-Back-Writing-Desk-Dark-Walnut-D42CORMBDW.htm#reviewSection> (Year: 2022).
- Onamia L-Shape Desk by 17 Stories, first available: Mar. 28, 2020. Wayfair.com [online], [site visited Apr. 11, 2022], Internet URL: <https://www.wayfair.com/furniture/pdp/17-stories-onamia-l-shape-desk-w002807498.html> (Year: 2020).
- 52" L-Shepard Computer Desk with Storage by Home Accent Furnishings Store, first available: May 18, 2020. Amazon.com [online], [site visited Apr. 11, 2022], Internet URL: <https://www.amazon.com/52-L-Shaped-Computer-Desk-Storage/dp/B088SGSNJW> (Year: 2020).
- 52" L-Shaped Computer Desk by Middlebrook Designs, first available: Apr. 10, 2020. Website [online], [site visited Apr. 11, 2022], Internet URL: <https://www.overstock.com/Home-Garden/Carbon-Loft-52-L-Shaped-Computer-Desk-with-Storage/30679901/product.html#reviewRegion> (Year: 2020).
- Tucson 42 in. Black/Cherry Large Rectangle Wood Coffee Table with Shelf; <https://www.homedepot.com/p/Convenience-Concepts-Tucson-42-in-Black-Cherry-Large-Rectangle-Wood-Coffee-Table-with-Shelf-161842/302768747>; retrieved on Apr. 26, 2022.
- Verlyn 4 Legs Coffee Table with Storage; <https://www.wayfair.com/furniture/pdp/beachcrest-home-verlyn-4-legs-coffee-table-with-storage-w000297227.html?piid=206567667#ontlalzal15u-3>; retrieved on Apr. 26, 2022.
- Hampton Pure White End Table; <https://www.homedepot.com/p/International-Concepts-Hampton-Pure-White-End-Table-OT08-70E/301841597>; retrieved on Apr. 26, 2022.
- U.S. Appl. No. 29/634,920, dated Sep. 13, 2019, Office Action.

(56)

References Cited

OTHER PUBLICATIONS

U.S. Appl. No. 29/656,477, dated Sep. 13, 2019, Office Action.
U.S. Appl. No. 29/634,929, dated Nov. 1, 2019, Notice of Allowance.
U.S. Appl. No. 29/656,477, dated Jan. 30, 2020, Notice of Allowance.
U.S. Appl. No. 29/654,952, dated Apr. 21, 2020, Notice of Allowance.
U.S. Appl. No. 29/634,920, dated Sep. 15, 2020, Notice of Allowance.
U.S. Appl. No. 29/720,947, dated Oct. 4, 2021, Office Action.
U.S. Appl. No. 29/720,947, dated Jan. 21, 2022, Notice of Allowance.
U.S. Appl. No. 29/743,397, dated Mar. 9, 2022, Office Action.
U.S. Appl. No. 29/743,410, dated Mar. 9, 2022, Office Action.
U.S. Appl. No. 29/743,408, dated Mar. 16, 2022, Office Action.
U.S. Appl. No. 29/743,593, dated Apr. 26, 2022, Office Action.

* cited by examiner

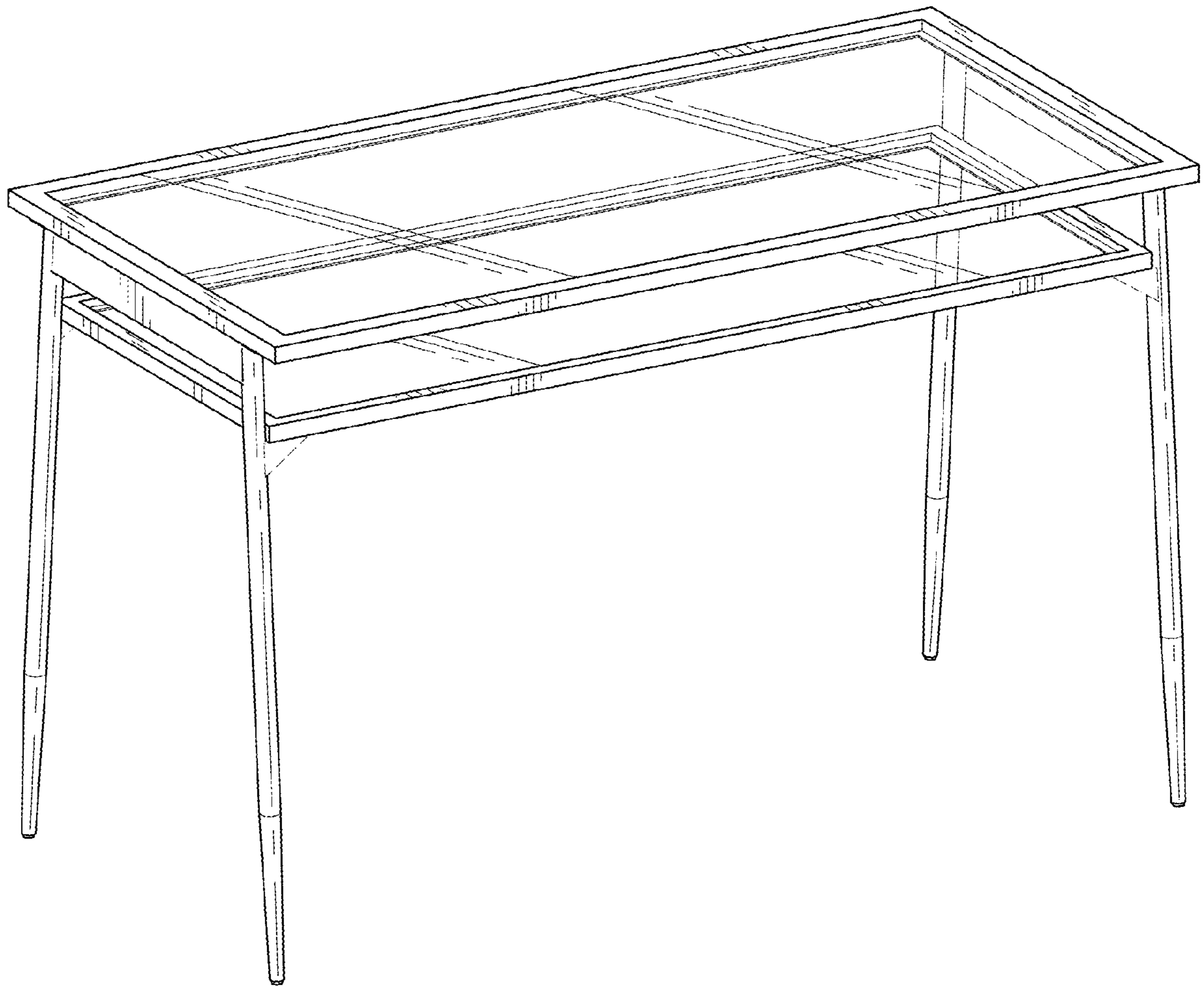


FIG. 1

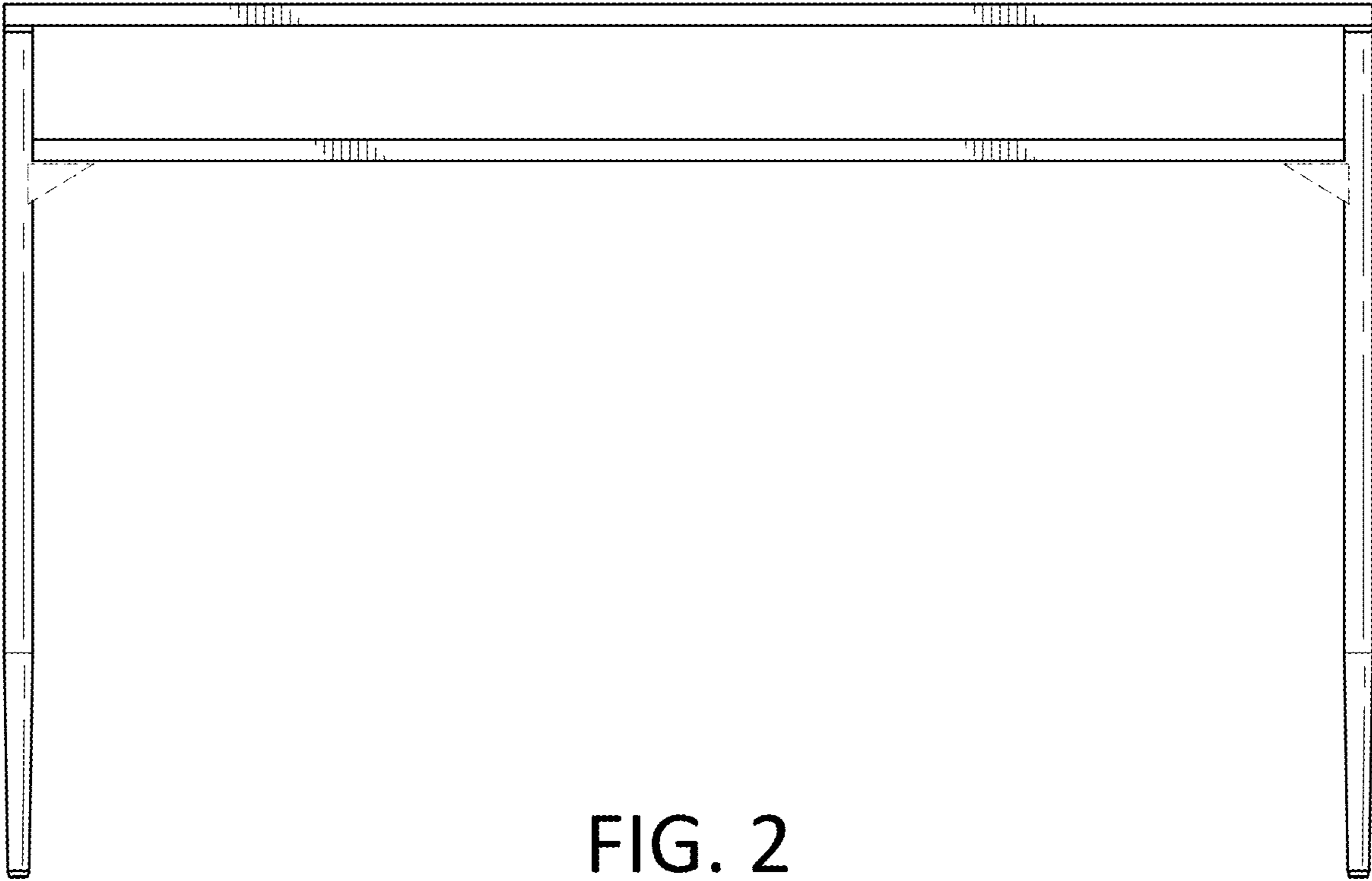


FIG. 2

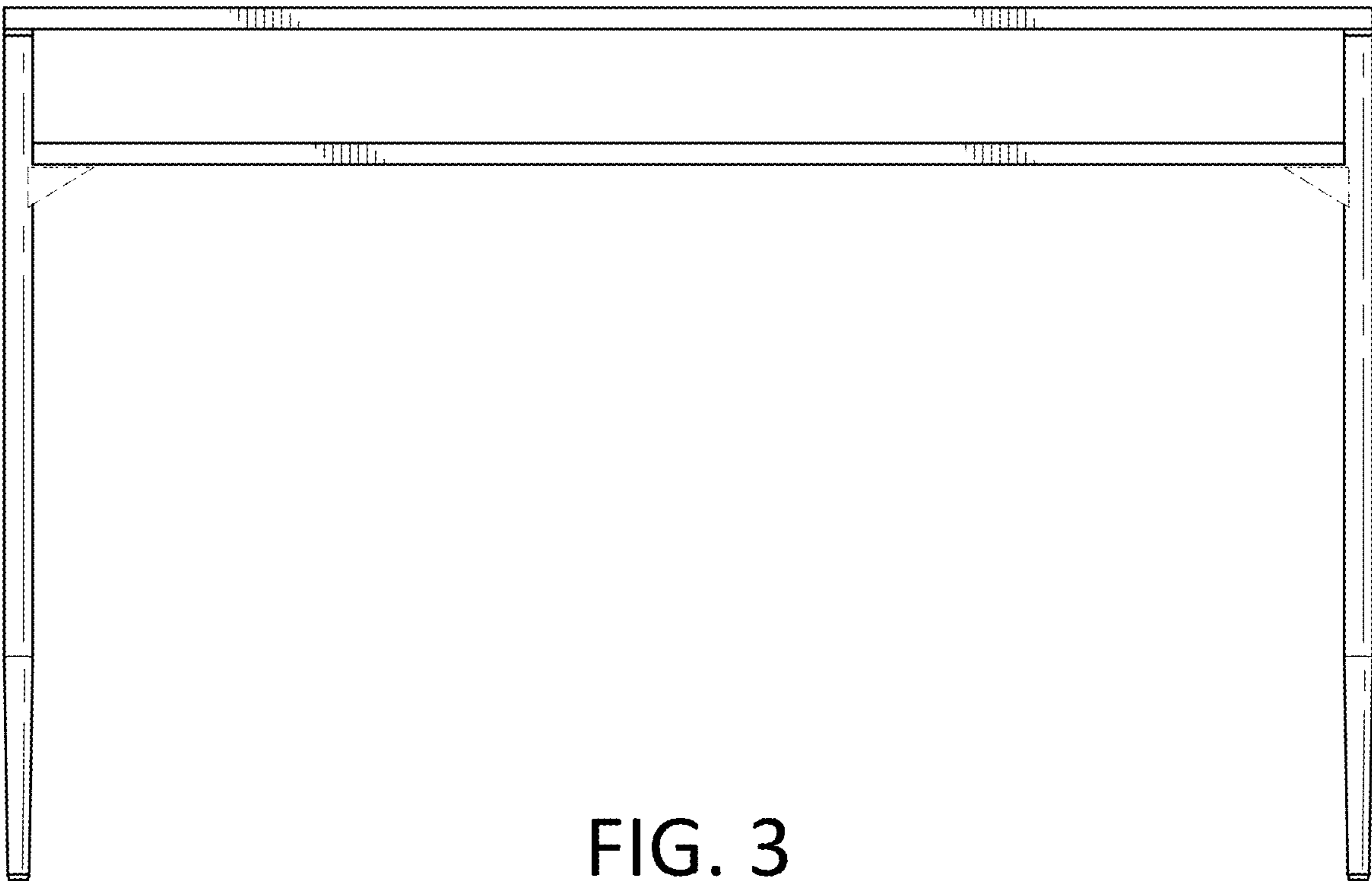


FIG. 3

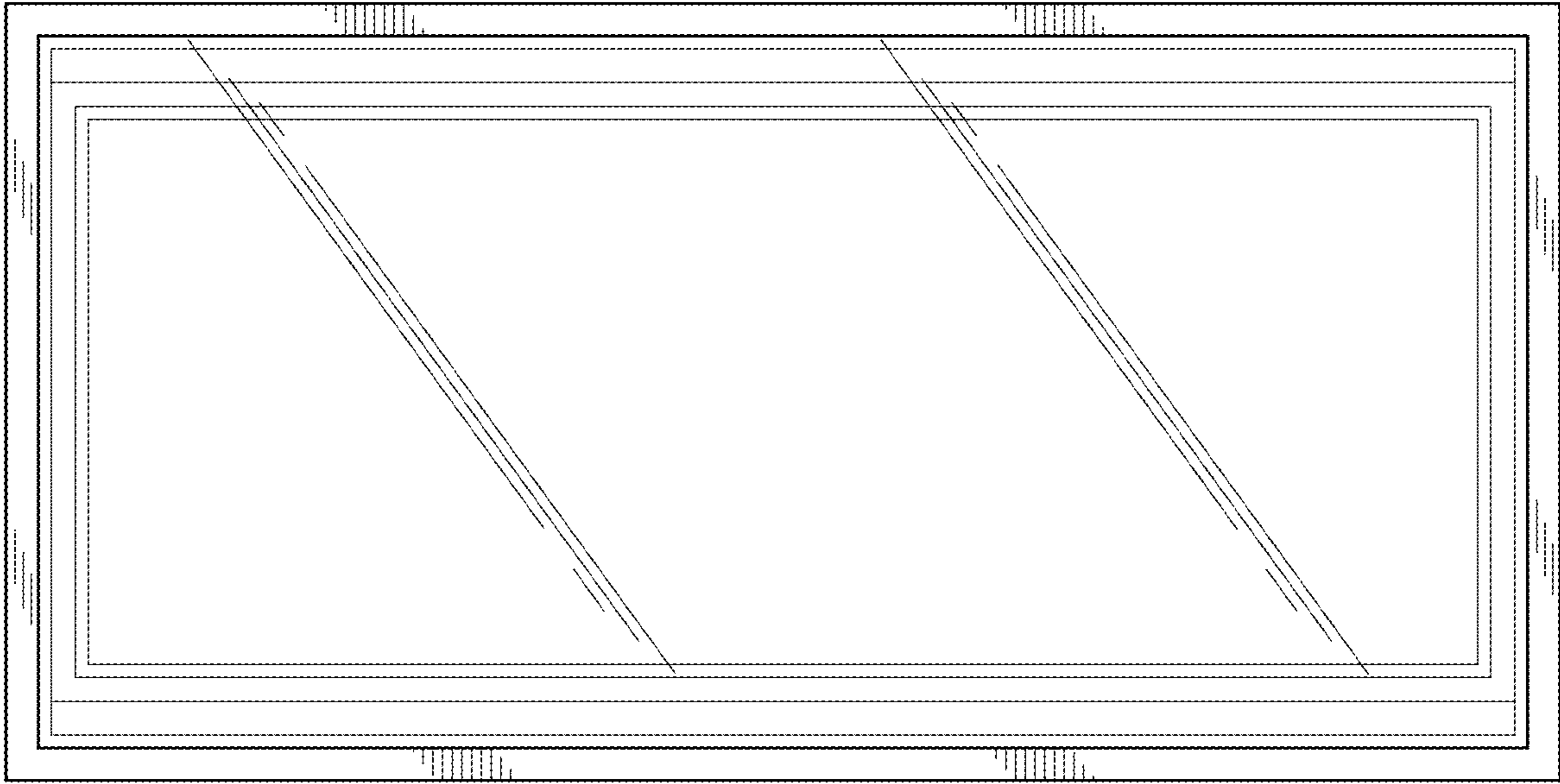


FIG. 4

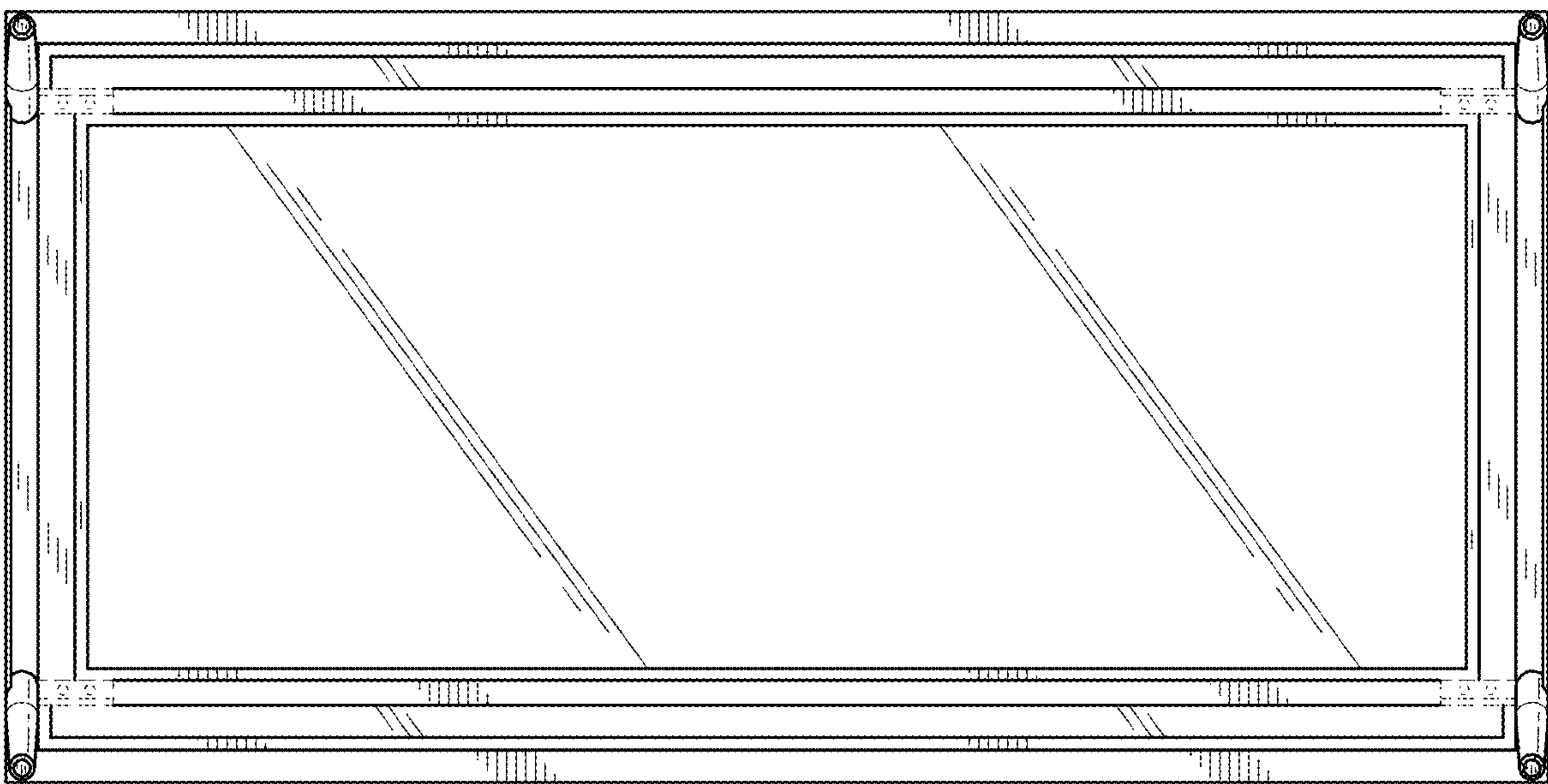


FIG. 5

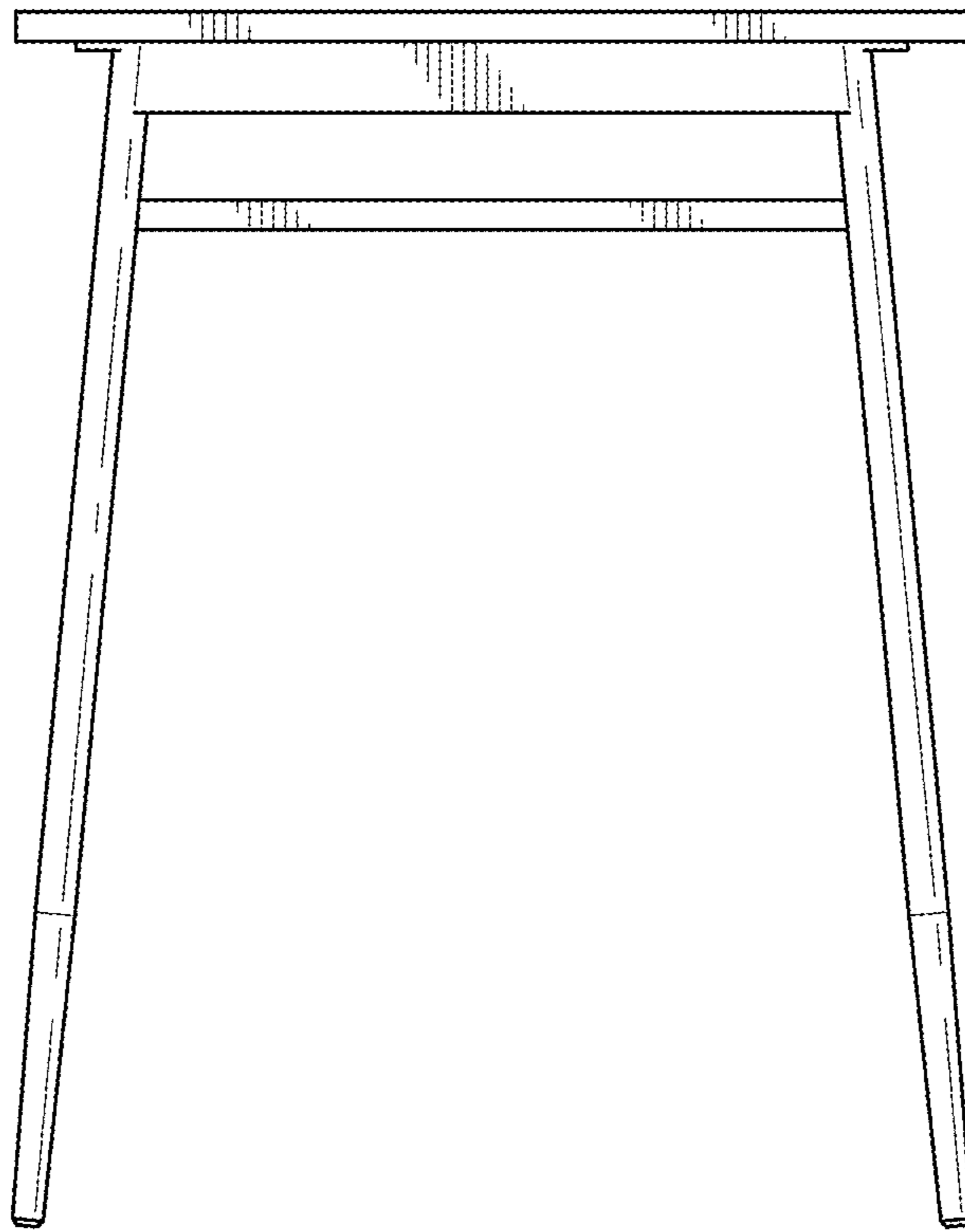


FIG. 6

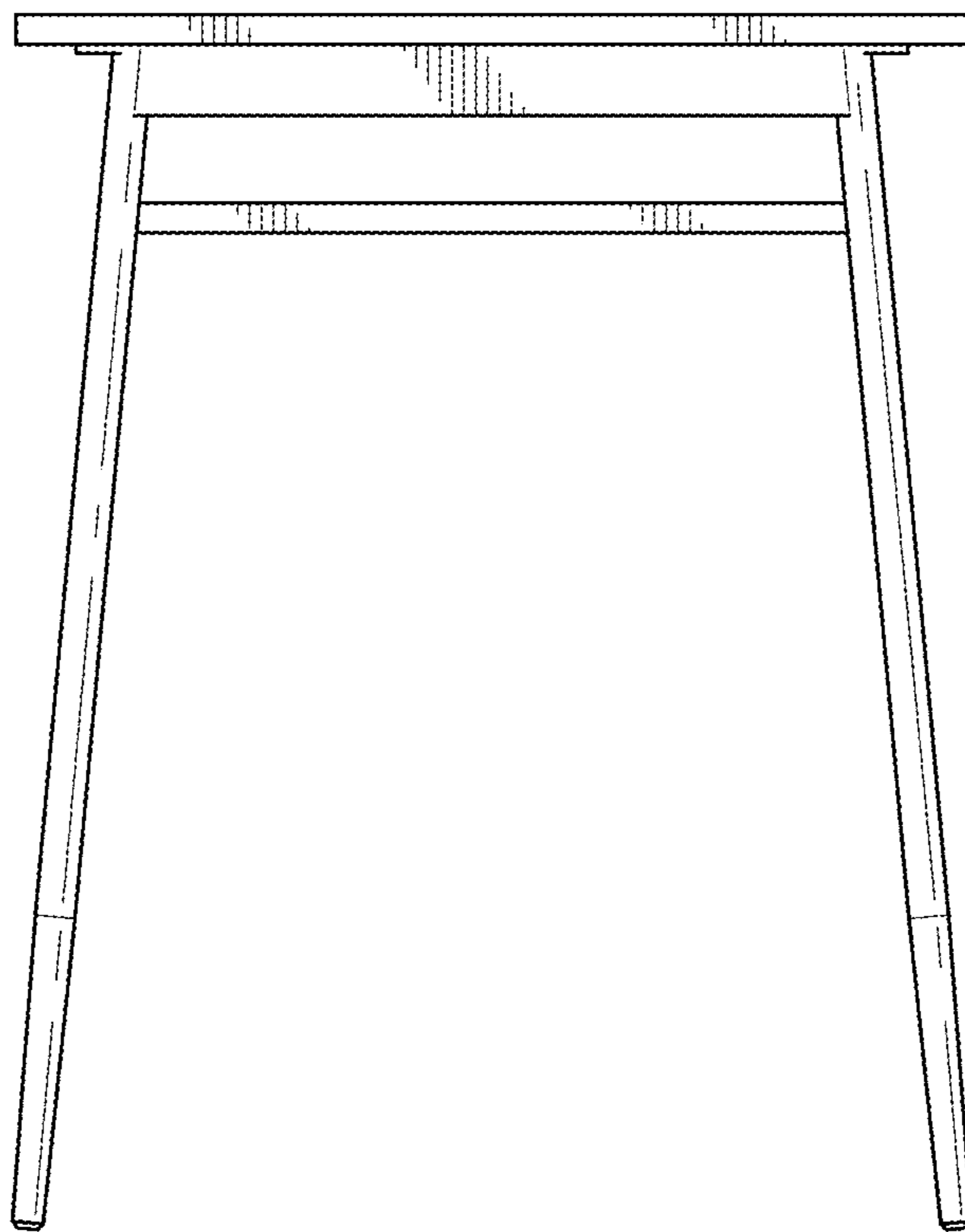


FIG. 7