

US00D961963S

(12) **United States Design Patent**
Packer et al.

(10) **Patent No.:** **US D961,963 S**

(45) **Date of Patent:** **** Aug. 30, 2022**

(54) **DESK**

(71) Applicant: **WALKER EDISON FURNITURE COMPANY LLC**, Salt Lake City, UT (US)

(72) Inventors: **Richard Packer**, Kaysville, UT (US);
Alexa Naylor, South Jordan, UT (US)

(73) Assignee: **Walker Edison Furniture Company LLC**, West Jordan, UT (US)

(**) Term: **15 Years**

(21) Appl. No.: **29/743,397**

(22) Filed: **Jul. 21, 2020**

(51) **LOC (13) Cl.** **06-03**

(52) **U.S. Cl.**
USPC **D6/655.1**

(58) **Field of Classification Search**
USPC D6/641, 642, 644, 647, 648.1, 648.4,
D6/650.1, 651, 653.1, 653.18, 655, 655.1,
D6/655.18, 655.22, 656, 691-691.9
CPC A47B 7/00; A47B 13/00; A47B 13/03;
A47B 13/02; A47B 13/04; A47B 13/06;
A47B 13/08; A47B 2200/0001; A47B
22/0011; A47B 2200/0035; A47B 21/00;
A47B 21/03; A47B 21/034

See application file for complete search history.

(56) **References Cited**

U.S. PATENT DOCUMENTS

- | | | | | | |
|---------------|--------|---------|-------|------------|---------|
| 1,549,586 A * | 8/1925 | Marsh | | A47B 21/00 | 108/131 |
| D146,845 S | 6/1947 | Bach | | | |
| D146,846 S | 6/1947 | Bach | | | |
| D154,440 S | 7/1949 | Taubert | | | |
| 2,545,253 A | 3/1951 | Bergson | | | |
| D169,375 S | 4/1953 | Knoll | | | |
| D177,195 S | 3/1956 | Smith | | | |

- | | | | | |
|--------------|---------|---------------------|-------|----------|
| D179,871 S | 3/1957 | Wrablica | | |
| D181,602 S | 12/1957 | Polk | | |
| D183,576 S | 9/1958 | Joseph | | |
| D187,188 S * | 2/1960 | Schift Gross et al. | | D6/641 |
| D200,783 S * | 4/1965 | Carr | | D6/691.1 |
| 3,243,246 A | 3/1966 | Eversman | | |
| D155,976 S | 11/1967 | Dimham | | |
| D209,404 S | 11/1967 | Pearlman | | |
| 3,359,930 A | 12/1967 | Schreyer | | |
| 3,806,219 A | 4/1974 | Ahmann | | |

(Continued)

OTHER PUBLICATIONS

Canal Desk by Sand & Sable, first available: Jul. 4, 2020. Wayfair.com [online], [site visited Feb. 15, 2022], Internet URL: <https://www.wayfair.com/furniture/pdp/sand-stable-canal-desk-w004726572.html> (Year: 2020).*

(Continued)

Primary Examiner — Steven J Czyz
Assistant Examiner — Hillary Catherine Shepard
(74) *Attorney, Agent, or Firm* — Workman Nydegger

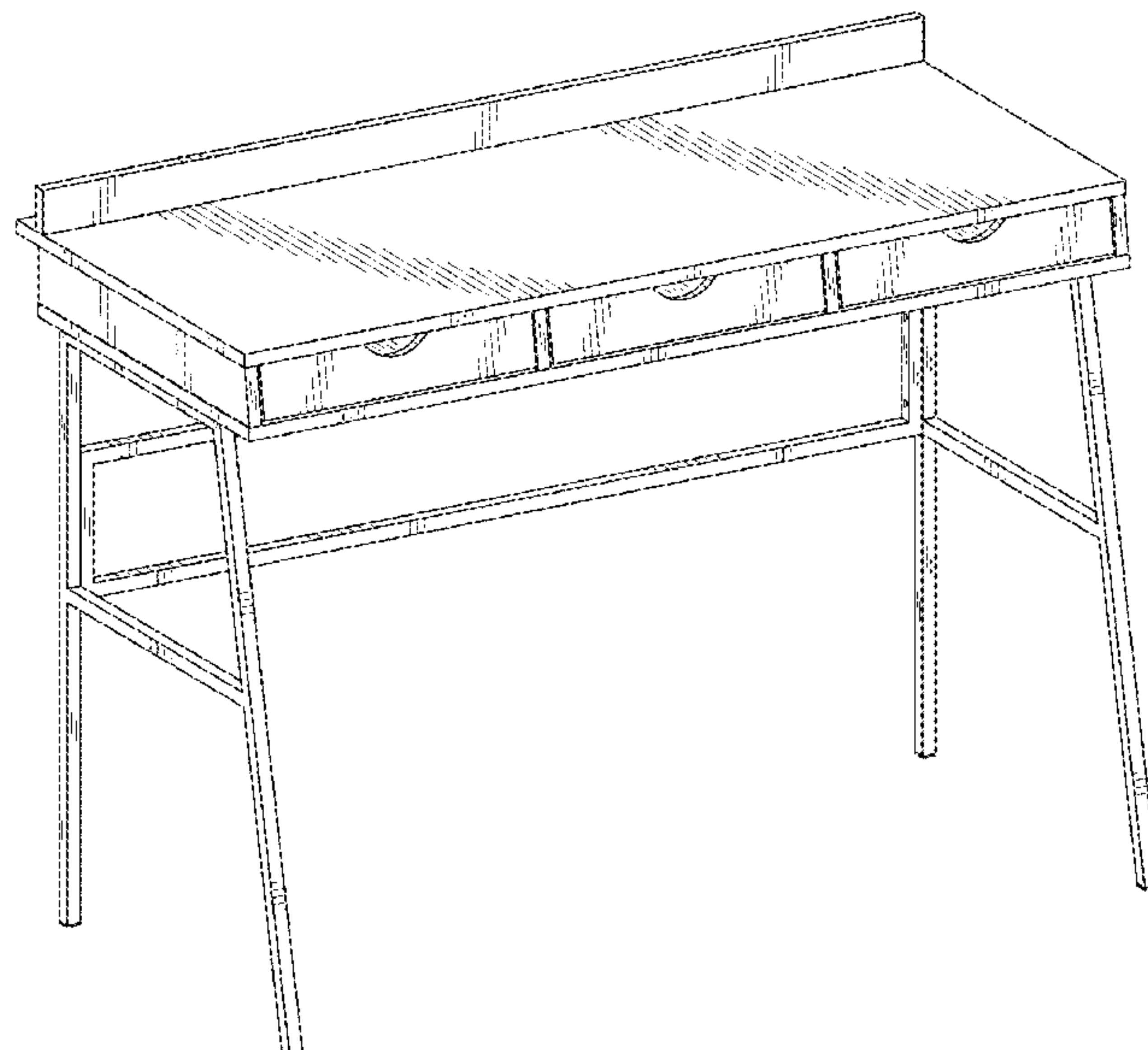
(57) **CLAIM**

The ornamental design for a desk, as shown and described.

DESCRIPTION

FIG. 1 is a front perspective view of a desk showing the new design;
FIG. 2 is a front elevation view thereof;
FIG. 3 is a back elevation view thereof;
FIG. 4 is a top plan view thereof;
FIG. 5 is a bottom plan view thereof;
FIG. 6 is a right elevation view thereof; and,
FIG. 7 is a left elevation view thereof.
The broken lines in the drawings are for the purpose of illustrating portions of the article that form no part of the claimed design.

1 Claim, 4 Drawing Sheets



(56)

References Cited

U.S. PATENT DOCUMENTS

D237,337 S * 10/1975 Peets D6/655.18
 3,920,298 A 11/1975 Lopez
 D242,969 S 1/1977 Carter
 D244,072 S 4/1977 Schaecher
 4,326,760 A 4/1982 Ziegelheim
 4,445,731 A 5/1984 Ahmann
 D278,294 S 4/1985 Dau
 D302,088 S 7/1989 Burt
 D304,530 S 11/1989 Bush
 D304,979 S 12/1989 Bush
 D313,518 S 1/1991 Bush
 D314,112 S 1/1991 Dainty
 5,082,336 A 1/1992 Munch
 D324,963 S 3/1992 LaCour
 D326,384 S 5/1992 Burt
 D343,072 S 1/1994 Schulman
 D346,078 S 4/1994 Schulman
 D378,966 S 4/1997 Helmsderfer
 D380,624 S 7/1997 Mezger
 D391,421 S 3/1998 Steelman
 D391,794 S 3/1998 Helmsderfer
 D397,893 S 9/1998 Helmsderfer
 D408,190 S 4/1999 Helmsderfer
 D412,258 S 7/1999 Helmsderfer
 D412,634 S 8/1999 Helmsderfer
 D440,793 S 4/2001 Iannaccone
 D444,313 S * 7/2001 Hutton D6/691
 D465,941 S 11/2002 Ko
 D474,355 S 5/2003 Sexton
 D481,229 S 10/2003 Weaver
 D486,016 S 2/2004 Stanton
 D488,320 S 4/2004 De Blois
 D497,742 S * 11/2004 Dortch D6/695
 D501,335 S 2/2005 Stangl
 D505,566 S 5/2005 Juneau
 D530,941 S 10/2006 Domack
 D532,999 S 12/2006 Domack
 D535,116 S 1/2007 Maitland
 D544,275 S 6/2007 Tanus
 D545,099 S 6/2007 Fernandez
 D546,503 S * 7/2007 Kreiss D6/653
 D549,025 S 8/2007 Van Alstyne
 D574,635 S 8/2008 Eustace
 D584,073 S 1/2009 Mohundro
 D592,435 S 5/2009 Jasman
 7,641,294 B1 1/2010 Goldberg
 D611,748 S 3/2010 Stephens
 D618,939 S 7/2010 Gibbs
 D620,732 S 8/2010 Andrews
 D626,759 S 11/2010 Joh
 D632,115 S 2/2011 Gibbs
 D632,900 S 2/2011 Goldberg
 D635,376 S 4/2011 Cortivo
 D648,568 S 11/2011 Cortivo
 D669,704 S 10/2012 Zambelli
 D670,105 S * 11/2012 Jespersen D6/691
 D684,406 S 6/2013 Cockrell
 D721,525 S * 1/2015 Huang D6/691.9
 D721,908 S * 2/2015 Hughes D6/691.9
 D723,306 S 3/2015 Kielwasser
 D736,529 S 8/2015 Cohen
 D746,614 S 1/2016 Sheppard
 9,254,045 B2 2/2016 Nassif
 D774,334 S 12/2016 Lawrence
 D783,316 S 4/2017 Davis
 D794,366 S * 8/2017 Tsuchiyama D6/709
 D794,982 S 8/2017 Palma
 D798,084 S 9/2017 Acuff
 D826,599 S * 8/2018 Jahns D6/654.1
 D829,025 S 9/2018 Davis
 D832,613 S 11/2018 Parikh
 D834,856 S 12/2018 Parikh
 D845,668 S 4/2019 Parikh
 D851,964 S * 6/2019 Davis D6/655.11
 D853,160 S 7/2019 Barber

D854,864 S 7/2019 Lim
 D860,687 S * 9/2019 Parikh D6/655.1
 D871,111 S * 12/2019 Parikh D6/655.1
 D877,543 S 3/2020 Davis
 D878,822 S 3/2020 Davis
 D882,300 S 4/2020 Li
 D885,091 S 5/2020 Davis
 D888,466 S 6/2020 Li
 D891,821 S 8/2020 Li
 D891,823 S 8/2020 Li
 D900,518 S 11/2020 Davis
 D904,084 S 12/2020 Davis
 D904,799 S * 12/2020 Li D6/654.1
 D908,851 S 1/2021 Lee
 D909,095 S 2/2021 Li
 D909,098 S * 2/2021 Li D6/654.1
 D910,341 S 2/2021 Ye
 D916,537 S 4/2021 Davis
 D917,934 S 5/2021 Chu
 D922,103 S 6/2021 Wang
 D927,894 S 8/2021 Jia
 D928,536 S 8/2021 Huang
 D931,654 S * 9/2021 Li D6/655.1
 D931,656 S 9/2021 Li
 D931,657 S 9/2021 He
 D937,014 S * 11/2021 Jackson D6/655.11
 D945,797 S * 3/2022 Davis D6/654.11
 D946,330 S * 3/2022 Li D6/691
 2002/0020655 A1 * 2/2002 McKsymick A47B 3/06
 206/738
 2007/0169673 A1 7/2007 Tseng
 2010/0018442 A1 1/2010 Knudsen
 2011/0061571 A1 3/2011 Hilde
 2014/0265754 A1 9/2014 Patterson

OTHER PUBLICATIONS

Writing Desk by Carbon Loft, first available: Jun. 3, 2020. Overstock.com [online], [site visited Feb. 15, 2022], Internet URL: <https://www.overstock.com/Home-Garden/Carbon-Loft-42-3-Drawer-Writing-Desk/30680135/product.html#reviewRegion> (Year: 2020).
 Evelyn 3 Drawer Angled Writing Desk by Saracina Home, first available: Unknown. Target.com [online], [site visited Feb. 15, 2022], Internet URL: <https://www.target.com/p/evelyn-3-drawer-angled-writing-desk-with-cord-management-slots-saracina-home/-/A-80698671?preselect=80224904#Ink=sametab> (Year: 2022).
 U.S. Appl. No. 29/573,766, filed Aug. 9, 2016, Davis.
 U.S. Appl. No. 29/634,920, filed Jan. 25, 2018, Davis.
 U.S. Appl. No. 29/634,929, filed Jan. 25, 2018, Davis.
 U.S. Appl. No. 29/656,477, filed Jul. 12, 2018, Davis.
 U.S. Appl. No. 29/654,952, filed Jun. 28, 2018, Davis.
 U.S. Appl. No. 29/720,947, filed Jan. 16, 2020, Davis.
 U.S. Appl. No. 29/743,408, filed Jul. 21, 2020, Packer.
 U.S. Appl. No. 29/743,410, filed Jul. 21, 2020, Packer.
 U.S. Appl. No. 29/743,593, filed Jul. 22, 2020, Packer.
 U.S. Appl. No. 29/677,755, filed Jan. 23, 2019, Davis.
 U.S. Appl. No. 29/677,761, filed Jan. 23, 2019, Davis.
 U.S. Appl. No. 29/767,930, filed Jan. 26, 2021, Duhadway.
 U.S. Appl. No. 29/768,093, filed Jan. 27, 2021, Duhadway.
 U.S. Appl. No. 29/768,095, filed Jan. 27, 2021, Duhadway.
 U.S. Appl. No. 29/784,675, filed May 20, 2021, Duhadway.
 U.S. Appl. No. 29/796,683, filed Jun. 25, 2021, Naylor.
 U.S. Appl. No. 29/801,168, filed Jul. 27, 2021, Duhadway.
 Small Wooden Desk With Drawers, suspilstvo.info <http://suspilstvo.info/small-wooden-desk-with-drawers/small-wooden-desk-with-drawers-wood-desk-with-drawers-modern-solid-wood-desk-computer-study-show-homes-minimalist-with-drawers-m-wood-desk-with-drawers-small-wood-comput>, retrieved from the internet on Nov. 5, 2018.
 Legend Desk—Harvey Norman, <https://www.harveynorman.co.nz/furniture/home-office-equip/desks-and-suites/legend-desk.html>, retrieved from the internet on Nov. 5, 2018.
 Diana Desk with Drawer—walmart.com, <https://www.walmart.com/ip/Diana-Desk-with-Drawer/126384407?sourceid=csebr035413>, retrieved from the internet on Nov. 5, 2018.

(56)

References Cited

OTHER PUBLICATIONS

52 in. A-Frame Rustic Faux Marble and Walnut Entry Console Table by Walker Edison Furniture Company—Home Depot, <https://www.homedepot.com/p/Walker-Edison-Furniture-Company-52-in-A-Frame-Rustic-Faux-Marble-and-Walnut-Entry-Console-Table-HDF52AFTMNW/302034903>, retrieved from the internet on Sep. 8, 2019.

52 A-Frame Rustic Entry Console Table Reclaimed Barnwood—Walmart.com, <https://www.walmart.com/ip/52-A-Frame-Rustic-Entry-Console-Table-Reclaimed-Barnwood/561617562>, retrieved from the internet on Sep. 9, 2019.

46" Rustic Farmhouse Wood Computer Desk by Walker Edison Furniture Company—Home Depot, <https://www.homedepot.com/p/Walker-Edison-Furniture-Company-52-in-A-Frame-Rustic-Faux-Marble-and-Walnut-Entry-Consol-Table-HDF52AFTMNW/302034903>, retrieved from the internet on Sep. 9, 2019.

48 in. White Oak Open-Top Storage Bench with Shoe Shelf, [online] Retrieved Oct. 15, 2019 from URL: <https://www.homedepot.com/p/Walker-Edison-Furniture-Company-48-in-White-Oak-Open-Top-Storage-Bench-with-Shoe-Shelf-HD48PCSBWO/303295636>.

50" Entryway Bench with Slatted Shelf—50×14×18h. [online] Retrieved Oct. 8, 2019 from URL: <https://www.overstock.com/Home-Garden/50-Entryway-Bench-with-Slatted-Shelf-50-x-14-x-18h/17179515/product.html?option=28693203>.

Ermont Wood Storage Bench, [online] Retrieved Oct. 8, 2019 from URL: <https://www.allmodern.com/furniture/pdp/ermont-wood-storage-bench-lrfy1915.html>.

Odetta Desk; anthropologie.com; <https://www.anthropologie.com/shop/odetta-desk?color=006&size=0000>; Retrieved on Aug. 20, 2018. Pinterest; Odetta Desk—Anthropologie; <https://www.pinterest.com/pin/33636328453037064/>; Retrieved on Aug. 20, 2018.

Wayfair; Glenell Floating Desk; retrieved on Mar. 12, 2021; <https://www.wayfair.com/furniture/pdp/latitude-run-glenell-floating-desk-w001974591.html>.

Wayfair; Coward Executive Desk; retrieved on Mar. 12, 2021; <https://www.wayfair.com/furniture/pdp/union-rustic-coward-executive-desk-lgly7134.html?piid=>.

West Elm Website “furniture” search; Westelm.com; retrieved Apr. 20, 2020 (online); https://www.westelm.com/shop/furniture/?searchredir=true&cm_sp=HeaderLinks-_-OnsiteSearch-_-MainSite&cm_type=OnsiteSearch&term=furniture&searchredirtype=br.

Crate and Barrel Website “Business Interior Design” search; crateandbarrel.com; retrieved Nov. 6, 2020 (online); https://www.crateandbarrel.com/trade-program/?a=784&campaignid=1061902950&adgroupid=55881134521&targetid=aud-1097585102856:kwd-415008832538&adpos=&creative=251673559670&device=c&matchtype=e&network=g&gclid=Cj0KCQjwytOEBhD5ARIsANnRjVgCRKameP5yMquG6rsNP7KAU-nUpzG5NfgZU-PhRCRUgz507ltaAhvLEALw_wcB.

Raymour Flanigan Website “Home Office, Office Desk” search; raymourflanigan.com; retrieved Nov. 6, 2020 (online); <https://www.raymourflanigan.com/home-office/office-desks>.

Urban Wood Goods Website; urbanwoodgoods.com; retrieved Nov. 6, 2020 (online); https://urbanwoodgoods.com/?gclid=Cj0KCQjwytOEBhD5ARIsANnRjVjosDOY-qph1qh4aR1ZtVcUEoz4sYGbP_dI5pgF4uBWjXNcdEdWxWkaAge3EALw_wcB.

Borofka’s Furniture Website “Bridgeport, Bookcase, Allison” search; borofkasfurniture.com; retrieved May 13, 2020; <https://www.borofkasfurniture.com/bridgeport-desk-system-1/bballisondesk1-p207/iteminformation.aspx>.

Writers Desk Elm 77 Black Leather—The Modern Furniture Store <https://themodern.net.au/products/writers-desk-elm-77-black-leather> retrieved from the internet on Jul. 14, 2021.

U.S. Appl. No. 29/634,920, dated Sep. 13, 2019, Office Action.

U.S. Appl. No. 29/656,477, dated Sep. 13, 2019, Office Action.

U.S. Appl. No. 29/634,929, dated Nov. 1, 2019, Notice of Allowance.

U.S. Appl. No. 29/656,477, dated Jan. 30, 2020, Notice of Allowance.

U.S. Appl. No. 29/654,952, dated Apr. 21, 2020, Notice of Allowance.

U.S. Appl. No. 29/634,920, dated Sep. 15, 2020, Notice of Allowance.

U.S. Appl. No. 29/720,947, dated Oct. 4, 2021, Office Action.

U.S. Appl. No. 29/767,928, filed Jan. 26, 2021, Duhadway.

Metal X Farmhouse Desk by The Gray Barn, first available: May 20, 2020. Overstock.com [online], [site visited Feb. 15, 2022], Internet U R L : <https://www.overstock.com/Home-Garden/The-Grey-Barn-42-Metal-X-Farmhouse-Desk/27989122/product.html?kwds=&rfmt=color%3AGREY&option=64326779> (Year: 2020).

Arsenault Desk by 17 Stories, first available: Jul. 15, 2019. Wayfair.com [online], [site visited Feb. 15, 2022], Internet URL: <https://www.wayfair.com/furniture/pdp/17-stories-arsenault-desk-w005934740.html> (Year: 2019).

Englewood Desk by ForestGate, first available: Unknown. Bedbathandbeyond.com [online], [site visited Feb. 15, 2022], Internet URL: <https://www.bedbathandbeyond.com/store/product/forest-gate-englewood-42-inch-desk/5499504?keyword=office-desk> (Year: 2022).

Mesh Back Writing Desk by Carbon Loft, first available: Sep. 17, 2019. Overstock.com [online], [site visited Feb. 15, 2022], Internet URL: <https://www.overstock.com/Home-Garden/Carbon-Loft-42-Mesh-Back-Writing-Desk/27989012/product.html> (Year: 2019).

Mesh Back Writing Desk by Walker Edison, first available: Unknown. Englishelm.com [online], [site visited Feb. 15, 2022], Internet URL: <https://englishelm.com/products/walker-edison-42-mesh-back-writing-desk-d42cormbsg-d42cormbro-d42cormbdw?variant=32204581732397> (Year: 2022).

Mesh Back Writing Desk by Corbin, first available: Unknown. Homesquare.com [online], [site visited Feb. 15, 2022], Internet URL: <https://www.homesquare.com/42-Mesh-Back-Writing-Desk-Dark-Walnut-D42CORMBDW.htm#reviewSection> (Year: 2022).

Onamia L-Shape Desk by 17 Stories, first available: Mar. 28, 2020. Wayfair.com [online], [site visited Apr. 11, 2022], Internet URL: <https://www.wayfair.com/furniture/pdp/17-stories-onamia-l-shape-desk-w002807498.html> (Year: 2020).

52" L-Shepard Computer Desk with Storage by Home Accent Furnishings Store, first available: May 18, 2020. Amazon.com [online], [site visited Apr. 11, 2022], Internet URL: <https://www.amazon.com/52-L-Shaped-Computer-Desk-Storage/dp/B088SGSNJW> (Year: 2020).

52" L-Shaped Computer Desk by Middlebrook Designs, first available: Apr. 10, 2020. Website [online], [site visited Apr. 11, 2022], Internet URL: <https://www.overstock.com/Home-Garden/Carbon-Loft-52-L-Shaped-Computer-Desk-with-Storage/30679901/product.html#reviewRegion> (Year: 2020).

Tucson 42 in. Black/Cherry Large Rectangle Wood Coffee Table with Shelf; <https://www.homedepot.com/p/Convenience-Concepts-Tucson-42-in-Black-Cherry-Large-Rectangle-Wood-Coffee-Table-with-Shelf-161842/302768747>; retrieved on Apr. 26, 2022.

Verlyn 4 Legs Coffee Table with Storage; <https://www.wayfair.com/furniture/pdp/beachcrest-home-verlyn-4-legs-coffee-table-with-storage-w000297227.html?piid=206567667#0ntlalza15u-3>; retrieved on Apr. 26, 2022.

Hampton Pure White End Table; <https://www.homedepot.com/p/International-Concepts-Hampton-Pure-White-End-Table-OT08-70E/301841597>; retrieved on Apr. 26, 2022.

Gannett 22' Tall End Table; <https://www.wayfair.com/furniture/pdp/august-grove-gannett-end-table-with-storage-w004698268.html?piid=975687093%2C975687088>; retrieved on Apr. 26, 2022.

Edyo Living Coffee Table Industrial Metal Legs with Storage Shelf for Living Room, Modern Farmhouse Coffee Table (Grey/Espresso); https://www.amazon.com/EDYO-LIVING-Industrial-Farmhouse-Expresso/dp/B09B6N32BT/ref=sr_1_13?keywords=Coffee+Table+Farmhouse&qid=1636678977&sr=8-13; retrieved on Apr. 26, 2022.

Harton 48.03' Console Table; <https://www.wayfair.com/furniture/pdp/gracie-oaks-lucca-console-table-w002092952.html>; retrieved on Apr. 26, 2022.

(56)

References Cited

OTHER PUBLICATIONS

Rossitano 25" Tall Solid Wood End Table; <https://www.wayfair.com/furniture/pdp/gracie-oaks-rossitano-end-table-hlds6279.html>; retrieved on Apr. 26, 2022.

U.S. Appl. No. 29/743,410, dated Mar. 9, 2022, Office Action.

U.S. Appl. No. 29/743,408, dated Mar. 16, 2022, Office Action.

U.S. Appl. No. 29/743,593, dated Apr. 26, 2022, Office Action.

U.S. Appl. No. 29/720,947, dated Jan. 21, 2022, Notice of Allowance.

Amazon.com, Walker Edison Modern Wood and Metal Wall Mounted Writing Desk Home Office Workstation Small, Jul. 30, 2020, <https://www.amazon.com/Walker-Edison-Mounted-Writing-Wprkstation/dp/B08D KLN23 H/> (Year: 2020).

U.S. Appl. No. 29/767,930, dated Jun. 7, 2022, Office Action.

* cited by examiner

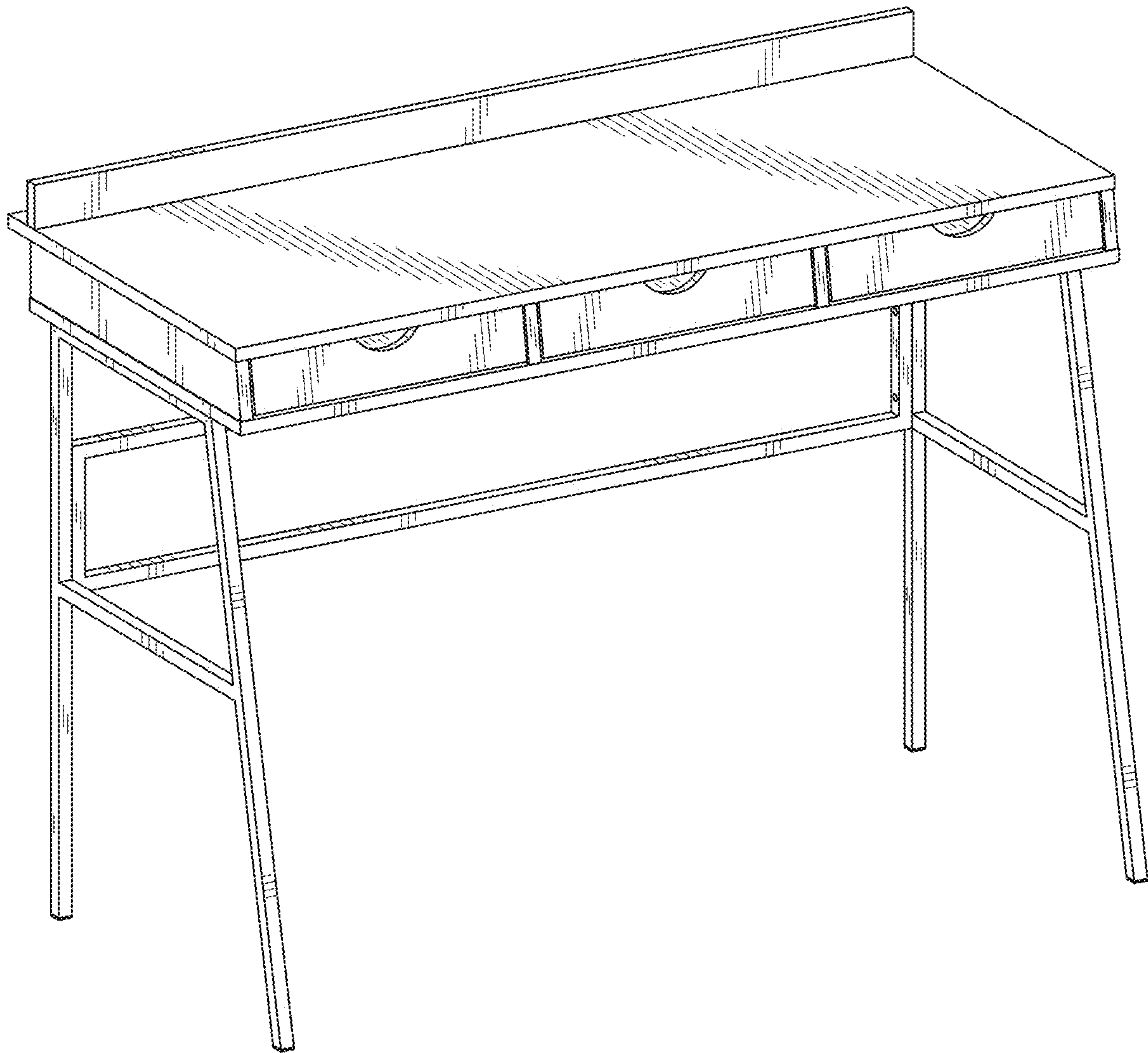


FIG. 1

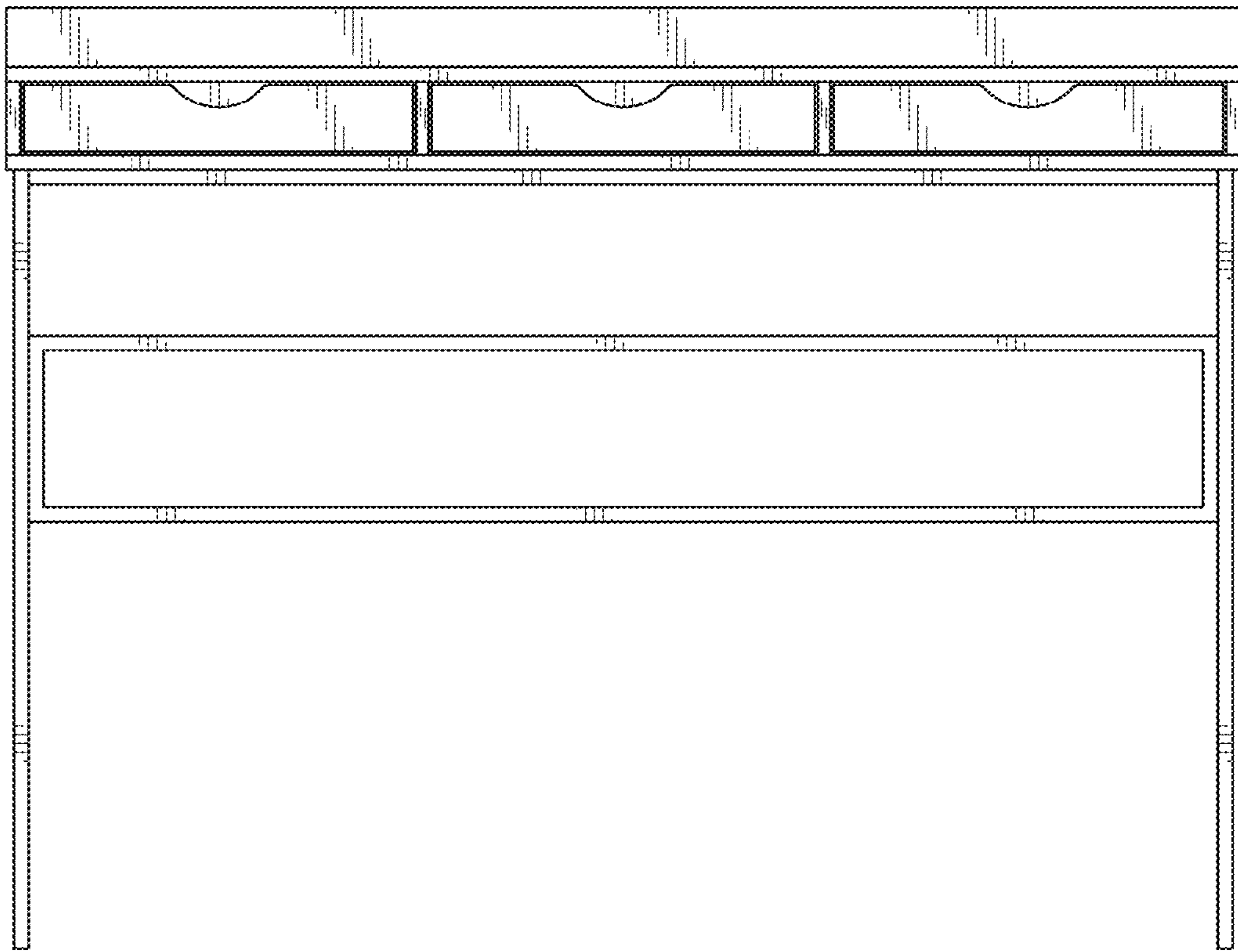


FIG. 2

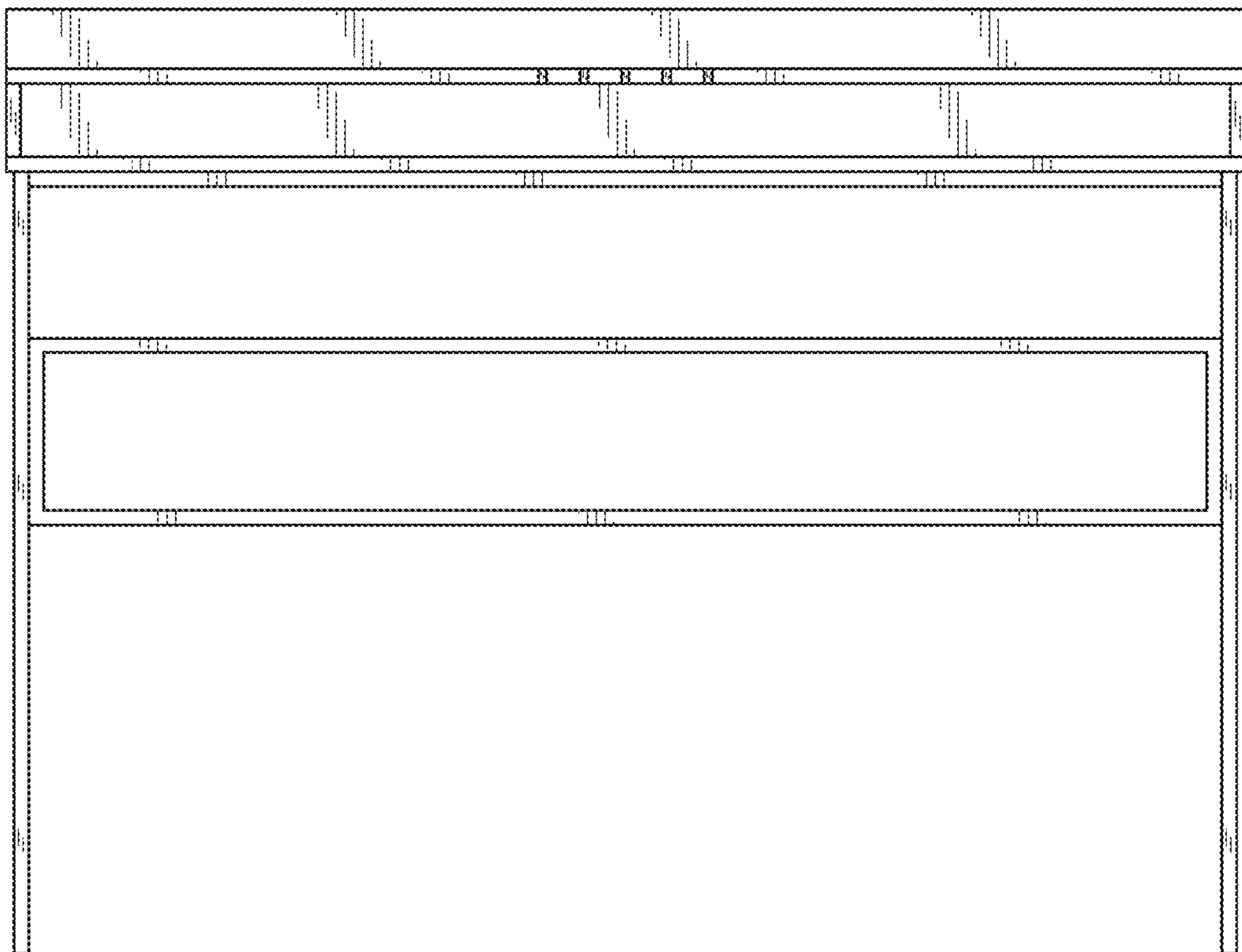


FIG. 3

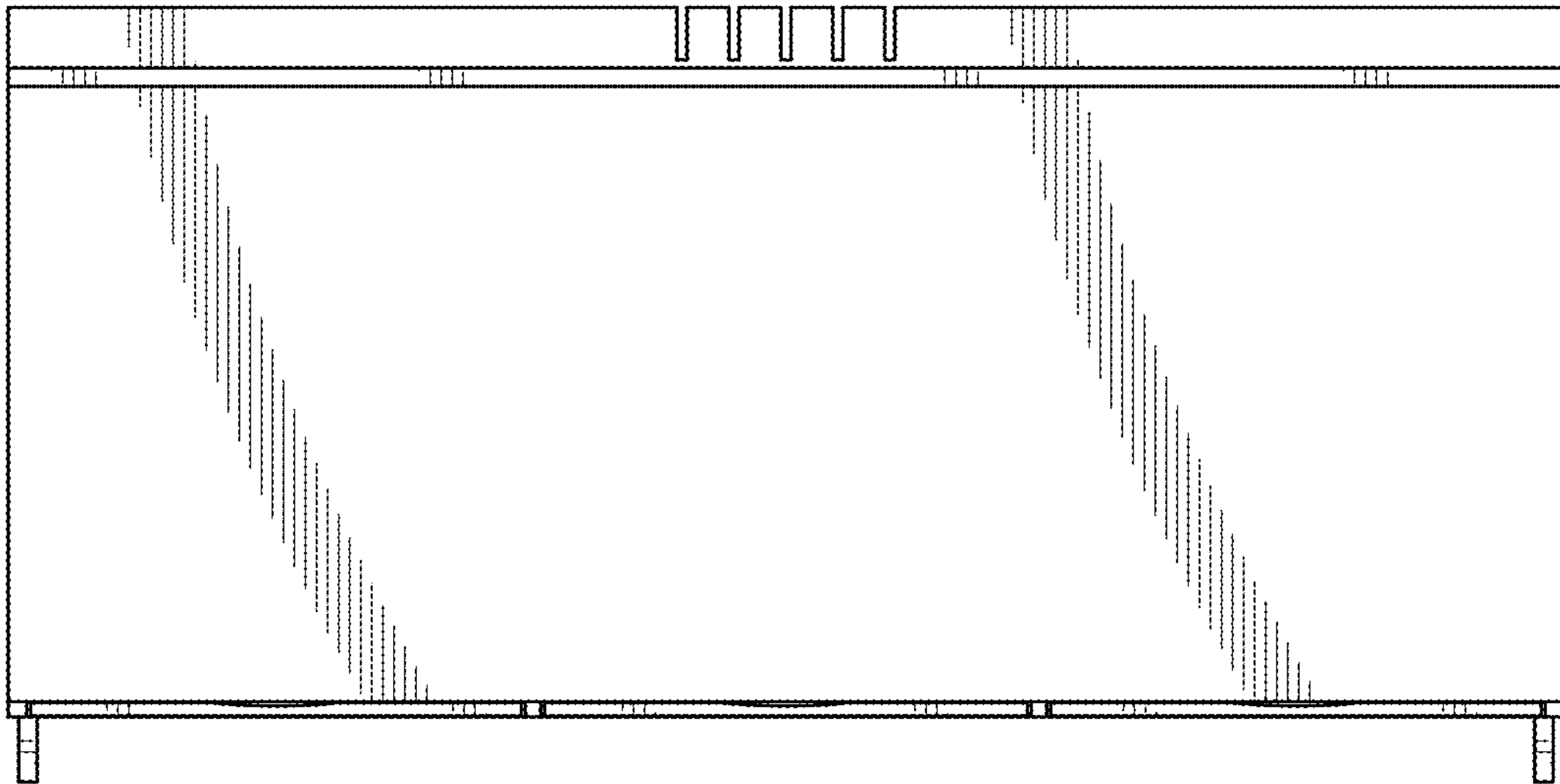


FIG. 4

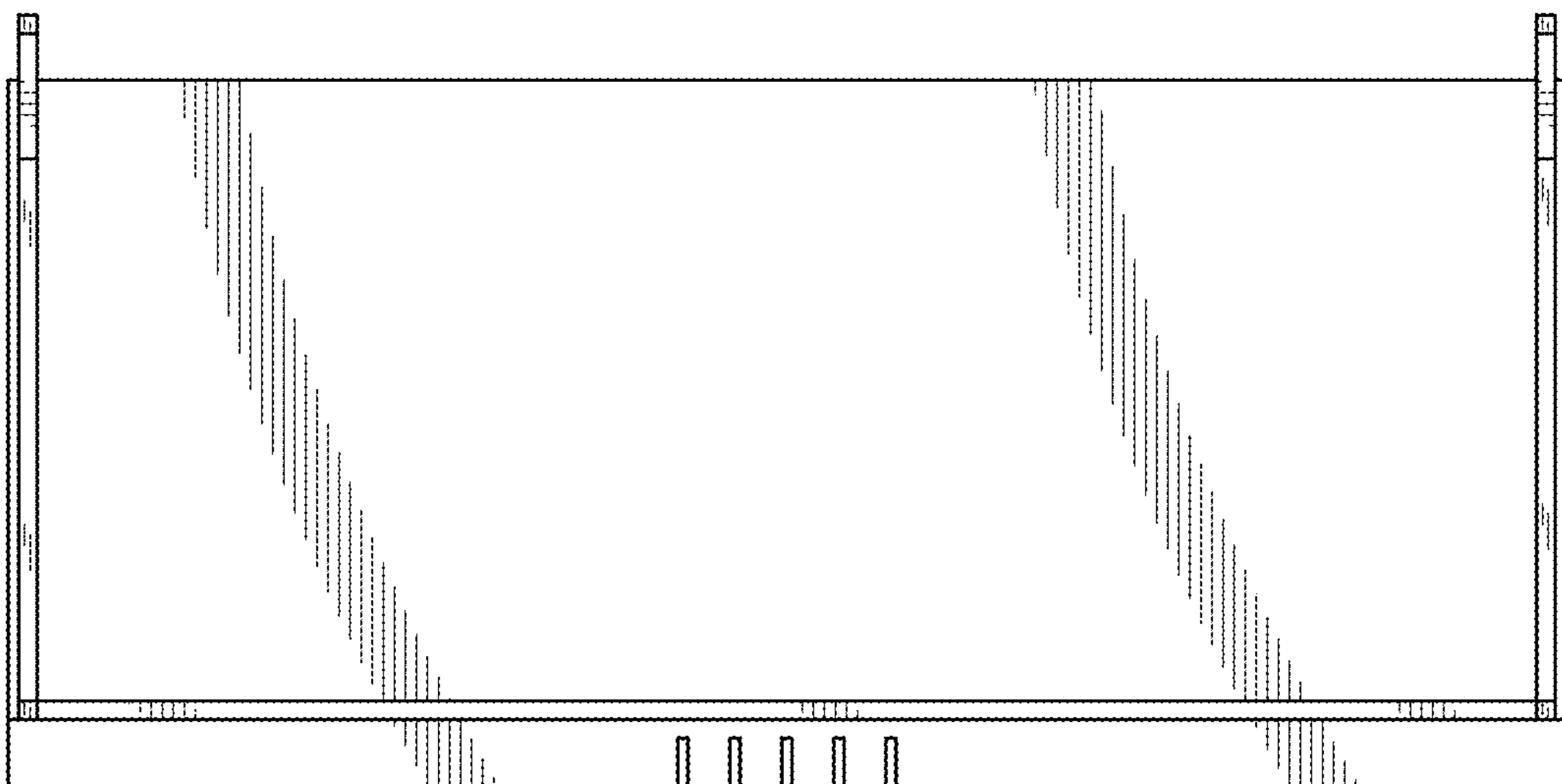


FIG. 5

FIG. 6

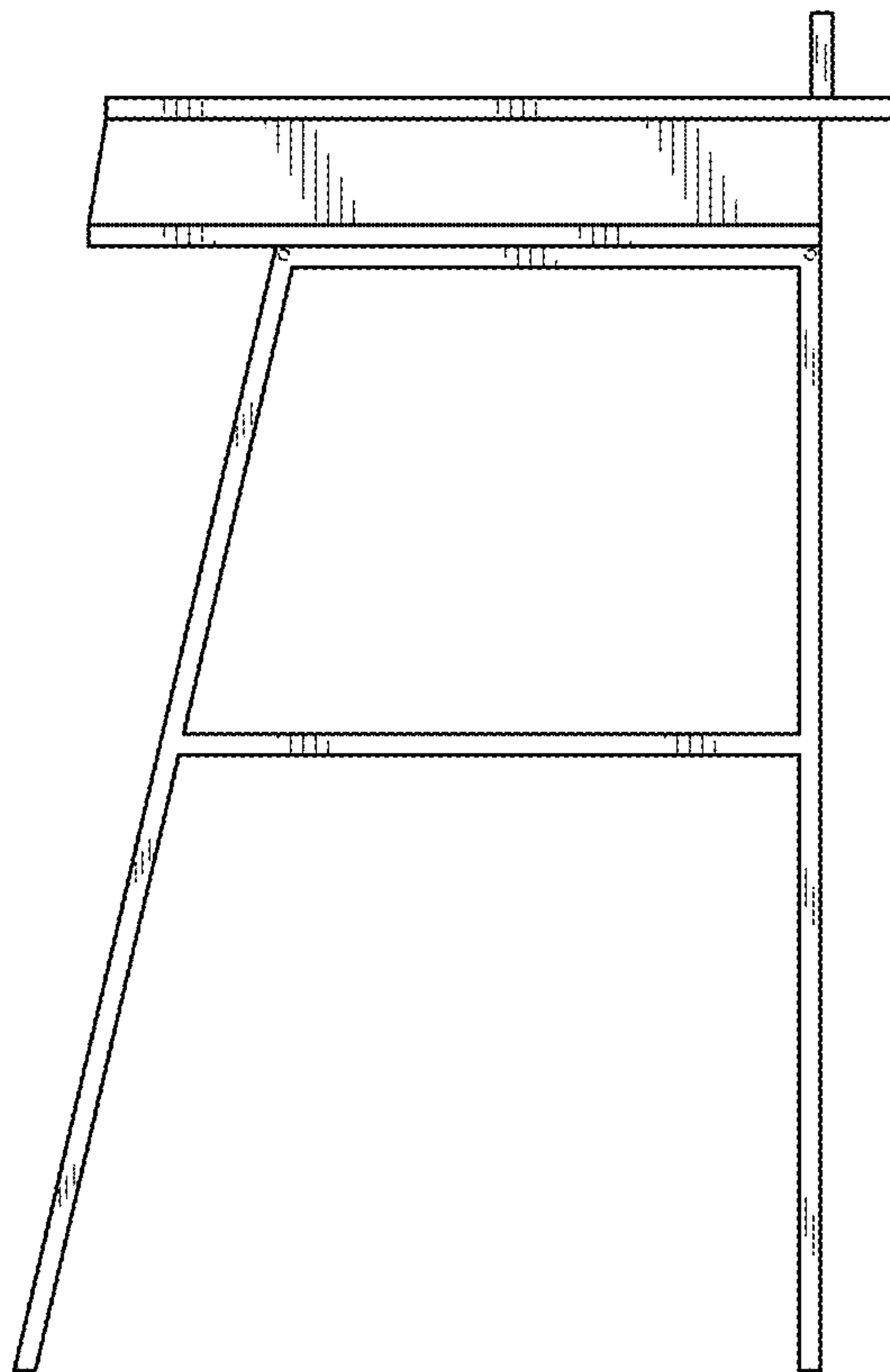


FIG. 7

