



US00D961962S

(12) **United States Design Patent** (10) **Patent No.:** **US D961,962 S**
Hu (45) **Date of Patent:** **** Aug. 30, 2022**

(54) **GAMING DESK**
(71) Applicant: **Yajun Hu**, El Dorado Hills, CA (US)
(72) Inventor: **Yajun Hu**, El Dorado Hills, CA (US)
(73) Assignees: **Yajun Hun; EUREKA LLC**, EL Dorado Hills, CA (US)
(**) Term: **15 Years**
(21) Appl. No.: **29/740,367**
(22) Filed: **Jul. 2, 2020**
(51) **LOC (13) Cl.** **06-03**
(52) **U.S. Cl.**
USPC **D6/655**
(58) **Field of Classification Search**
USPC D6/655.21, 654.1, 654, 654.21, 655, D6/654.18, 648.2, 648.3, 648.4, 652.2, D6/651.1, 651.2, 652.1, 653, 653.1, D6/653.11, 653.14, 653.16, 653.17, D6/653.18, 653.21, 653.23, 654.11, D6/654.14, 654.16, 654.17, 654.23, D6/655.11, 655.1, 655.14, 655.17, 655.18, D6/655.23, 656, 656.1, 656.12, 656.13, D6/656.16, 656.17, 656.19
CPC .. A47B 3/00; A47B 3/002; A47B 7/00; A47B 9/00; A47B 9/06; A47B 9/16; A47B 2009/065; A47B 13/00; A47B 13/02; A47B 13/04; A47B 13/06; A47B 13/08; A47B 13/10; A47B 13/12; A47B 17/00; A47B 21/02; A47B 2200/0001; A47B 2200/0011; A47B 2200/002; A47B 2200/0035; A47B 2200/0037; A47B 2200/004; A47B 2200/0066
See application file for complete search history.

D305,188 S * 12/1989 van Engeland D6/691.5
D322,729 S * 12/1991 Diffrient D6/691.5
D478,225 S 8/2003 Wang
(Continued)

FOREIGN PATENT DOCUMENTS

WO WO-D212176-001 * 1/2021
WO WO-D212176-002 * 1/2021

OTHER PUBLICATIONS

Computer Gaming Desk 60" by Eureka Ergonomic, first available: Aug. 15, 2019. Amazon.com [online], [site visited Mar. 9, 2022], Internet URL: https://www.amazon.com/EUREKA-ERGONOMIC-Computer-Texture-Boyfriend/dp/B07KQW3FPF/ref=sr_1_4_sspa (Year: 2019).*

(Continued)

Primary Examiner — Steven J Czyz
Assistant Examiner — Hillary Catherine Shepard

(57) **CLAIM**

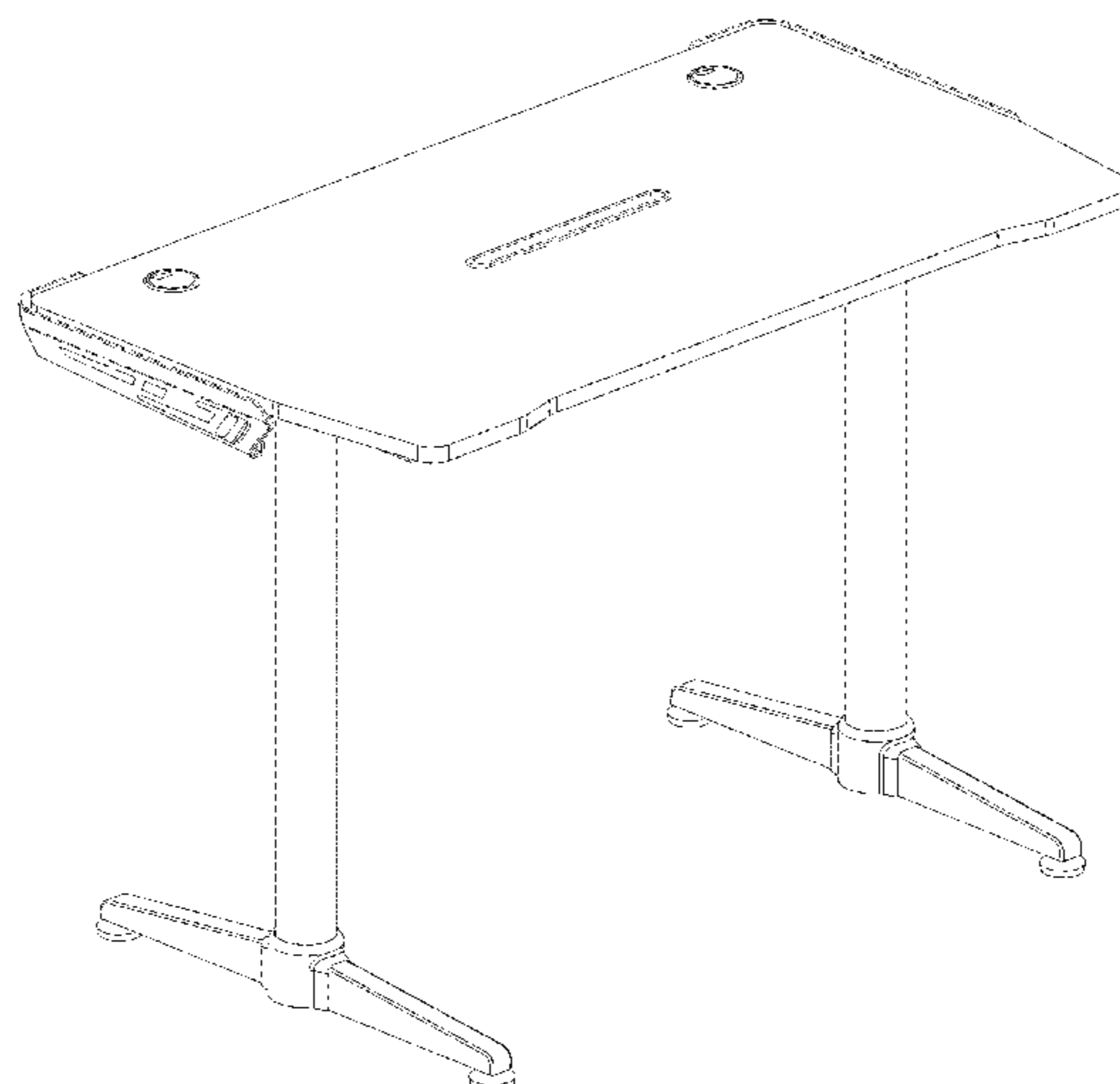
I claim the ornamental design for a gaming desk, as shown and described.

DESCRIPTION

FIG. 1 is a front perspective view of a gaming desk, showing my new design;
FIG. 2 is a back perspective view thereof;
FIG. 3 is a front view thereof;
FIG. 4 is a bottom view thereof;
FIG. 5 is a top view thereof;
FIG. 6 is a rear side view thereof;
FIG. 7 is a left side view thereof; and,
FIG. 8 is a right side view thereof.
The broken line portion of the figure drawings is included to show portions of the article that forms no part of the claimed design.

1 Claim, 8 Drawing Sheets

(56) **References Cited**
U.S. PATENT DOCUMENTS
2,342,631 A * 2/1944 Hillenbrand A47B 9/04
108/147
2,786,727 A * 3/1957 Nordmark A47B 13/083
108/27



(56)

References Cited

U.S. PATENT DOCUMENTS

D499,273 S 12/2004 Chang
 D499,576 S 12/2004 Long
 D512,587 S * 12/2005 Frenkler D6/691.5
 D526,812 S 8/2006 Chen
 D547,970 S 8/2007 Chou
 D549,009 S 8/2007 Lin
 D776,961 S * 1/2017 Yamamoto D6/656.16
 9,591,919 B2 3/2017 Ergun et al.
 D784,049 S * 4/2017 Labrosse D6/650
 9,635,932 B2 5/2017 Kelley et al.
 D819,371 S * 6/2018 Cao D6/656.16
 D832,016 S * 10/2018 Ezure D6/656.17
 D838,126 S * 1/2019 Hu D6/655.21
 D843,136 S * 3/2019 Ezure D6/643
 10,321,755 B1 * 6/2019 Sie A47B 9/08
 D861,381 S * 10/2019 Hu D6/656.11
 D861,382 S * 10/2019 Hu D6/656.11
 D862,129 S * 10/2019 Hu D6/656.17
 D865,405 S * 11/2019 Hu D6/656.16
 D875,442 S * 2/2020 Duan D6/656.16
 D877,544 S * 3/2020 Hu D6/656.16
 D879,515 S * 3/2020 Goldberg D6/656.16
 10,842,258 B2 * 11/2020 Applegate A47B 13/02
 D916,532 S * 4/2021 Chen D6/656.16
 D916,533 S * 4/2021 Huang D6/656.16
 D924,602 S * 7/2021 Wang D6/656.19
 D926,498 S * 8/2021 Hu D6/656.16
 D931,660 S * 9/2021 Hu D6/656.16
 D931,661 S * 9/2021 Hu D6/656.17
 D942,188 S * 2/2022 Hu D6/656.17

D942,779 S * 2/2022 Li D6/654.21
 D950,986 S * 5/2022 Hu D6/656.16
 2008/0178779 A1 * 7/2008 Agee A47B 9/04
 108/147
 2008/0289544 A1 * 11/2008 Buitmann A47B 9/00
 108/20
 2011/0168064 A1 * 7/2011 Jahnsen A47B 13/021
 108/147
 2012/0126072 A1 * 5/2012 Pettersson A47B 9/04
 248/157
 2014/0196553 A1 * 7/2014 Rinman A47B 9/02
 74/89.2
 2014/0367538 A1 * 12/2014 Widholzer F16F 15/08
 248/188.1
 2018/0177288 A1 * 6/2018 Lin H02K 7/06
 2018/0184799 A1 * 7/2018 Lin A47B 17/02
 2021/0030146 A1 * 2/2021 Riebner A47B 9/00
 2021/0052064 A1 * 2/2021 Miller A47B 9/00

OTHER PUBLICATIONS

Curved Gaming Desk by Eureka Ergonomic, first available: Nov. 17, 2018. Amazon.com [online], [site visited Mar. 9, 2022], Internet URL: https://www.amazon.com/Eureka-Ergonomic-I1-Computer-Management/dp/B07KQV1PVH/ref=sr_1_7 (Year: 2018).*
 EFX60BLK Flex Series 60 inch by ApexDesk Store, first available: Aug. 12, 2016. Amazon.com [online], [site visited Mar. 25, 2022], Internet URL: https://www.amazon.com/ApexDesk-Electric-Adjustable-Standing-Controller/dp/B07ZQQPSCT/ref=sr_1_10 (Year: 2016).*

* cited by examiner

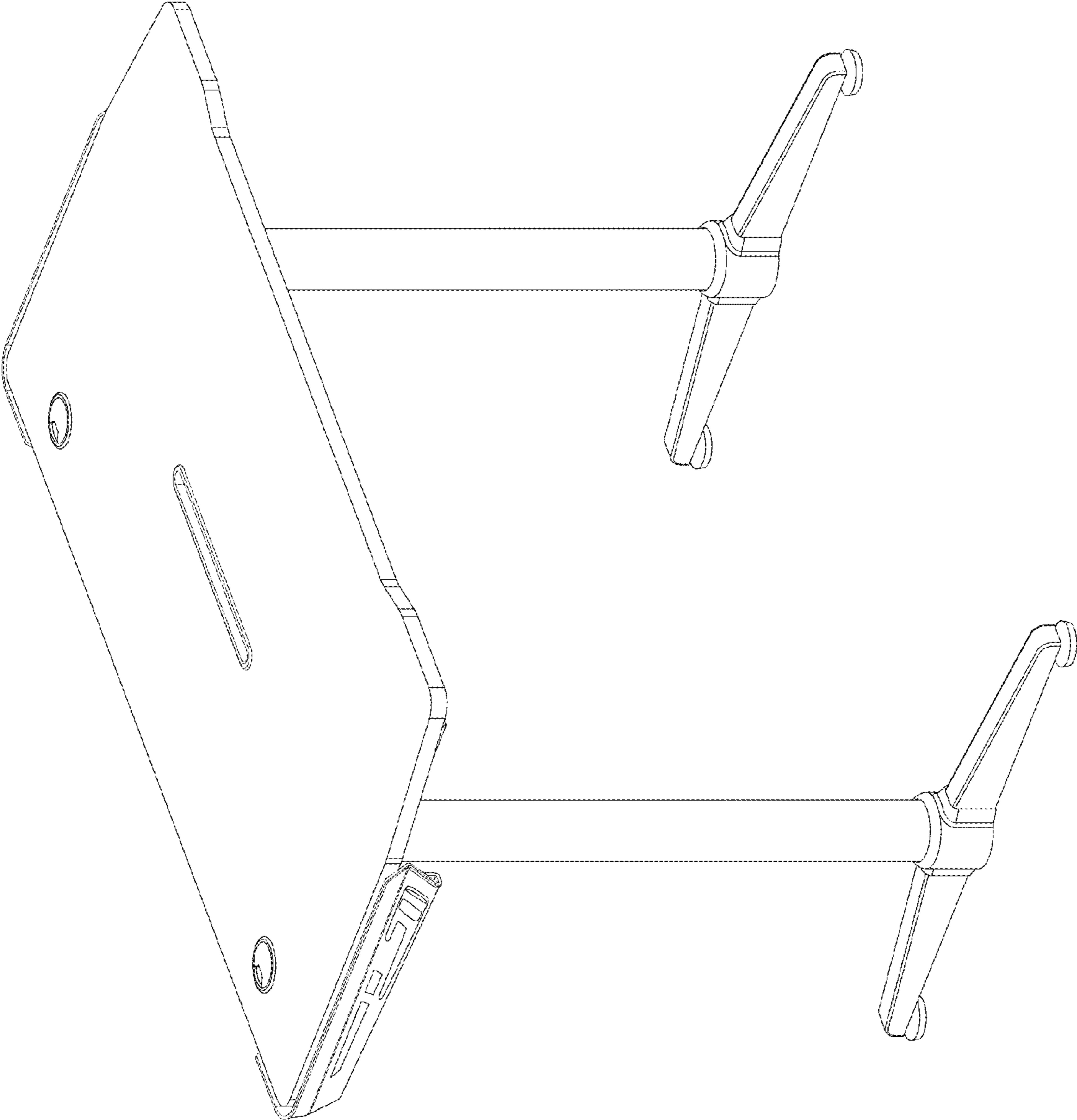


FIG.1

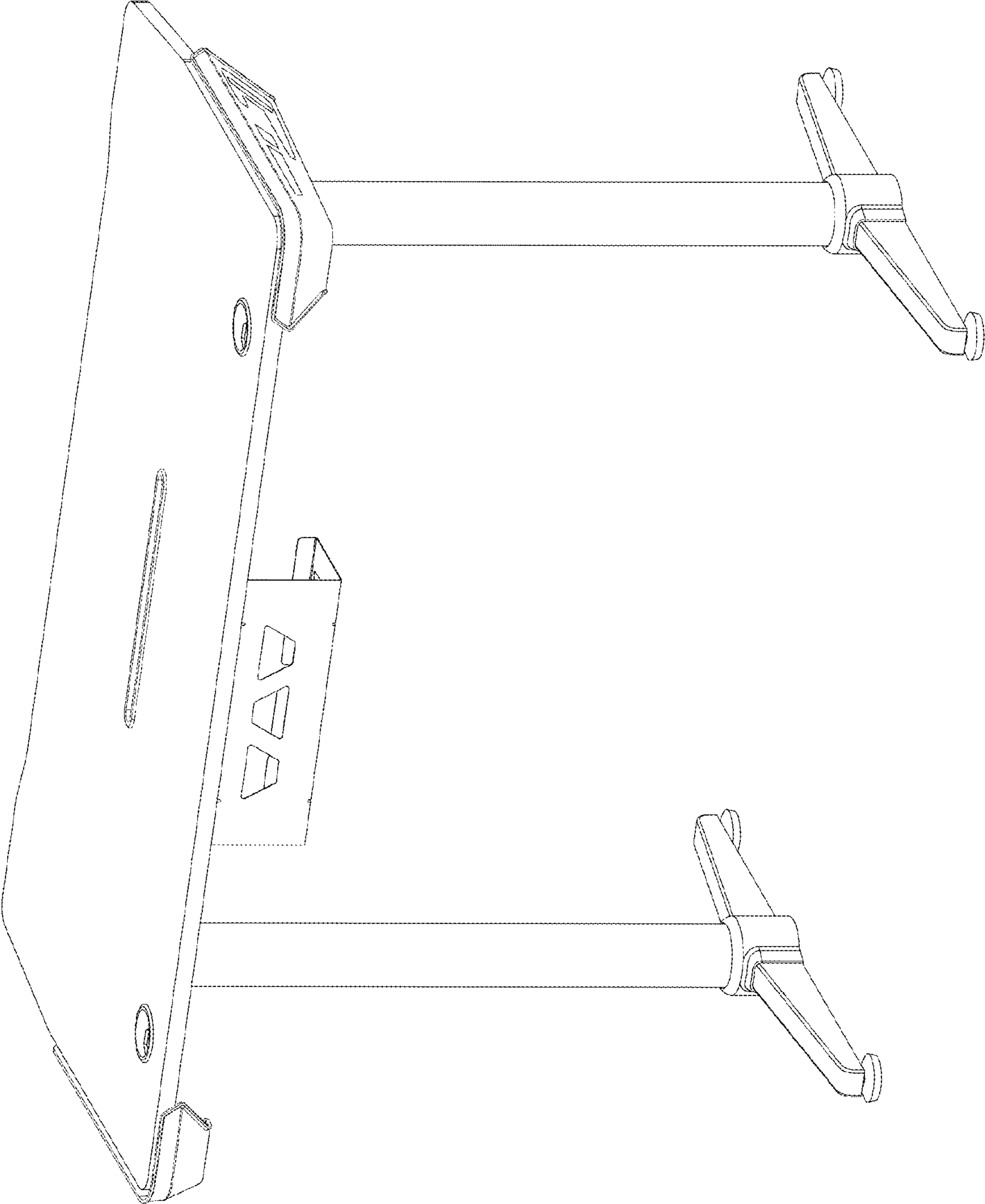


FIG.2

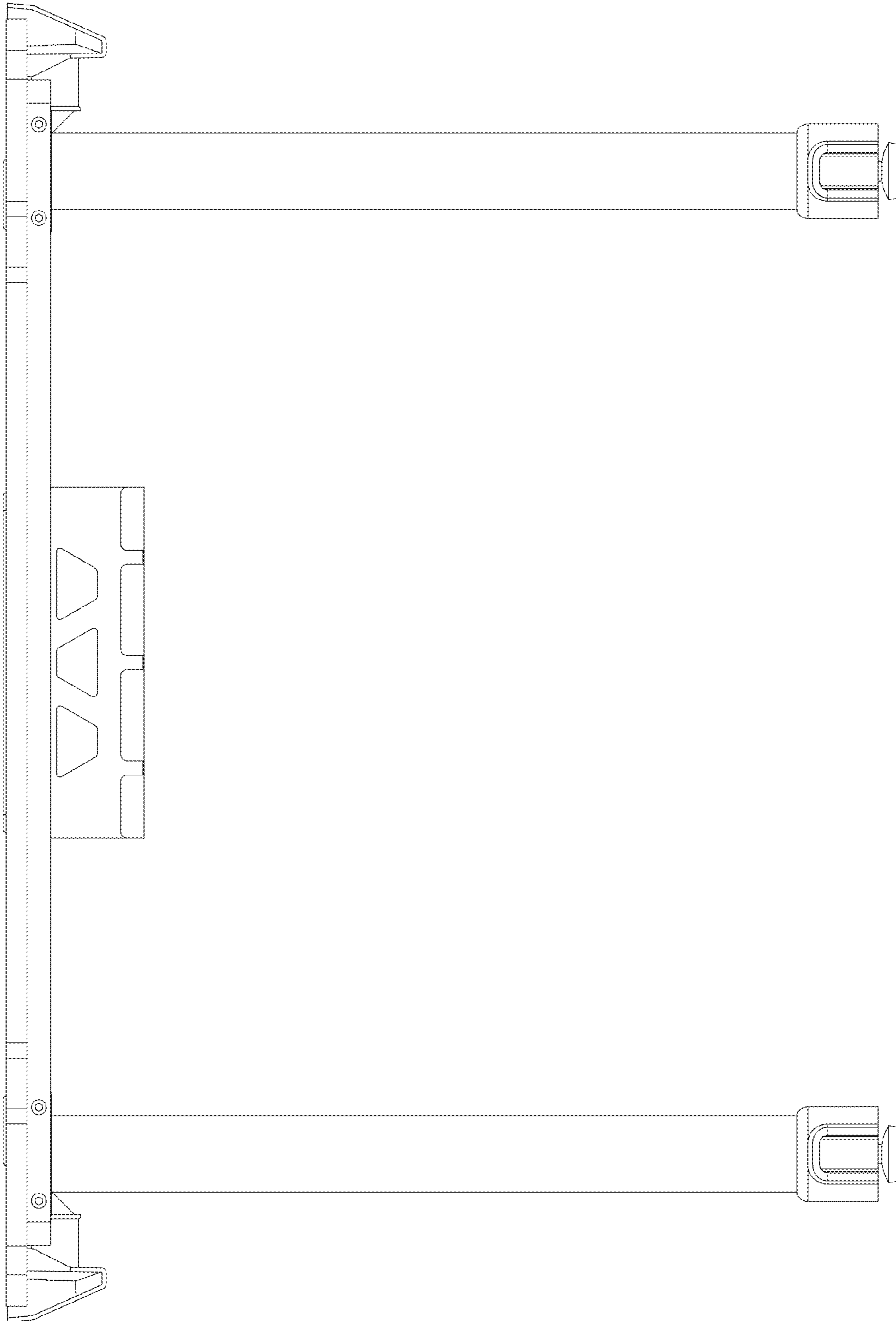


FIG.3

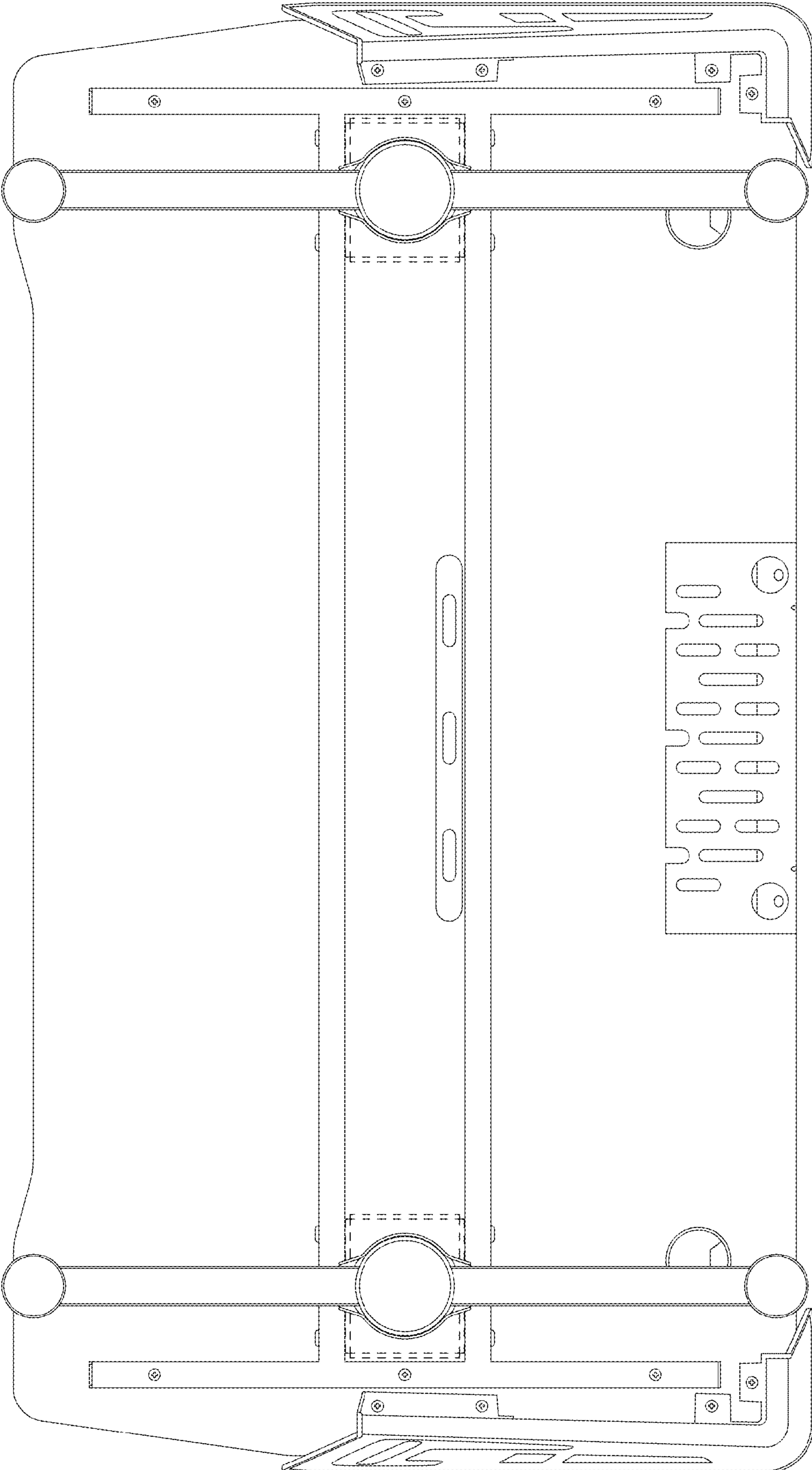


FIG.4

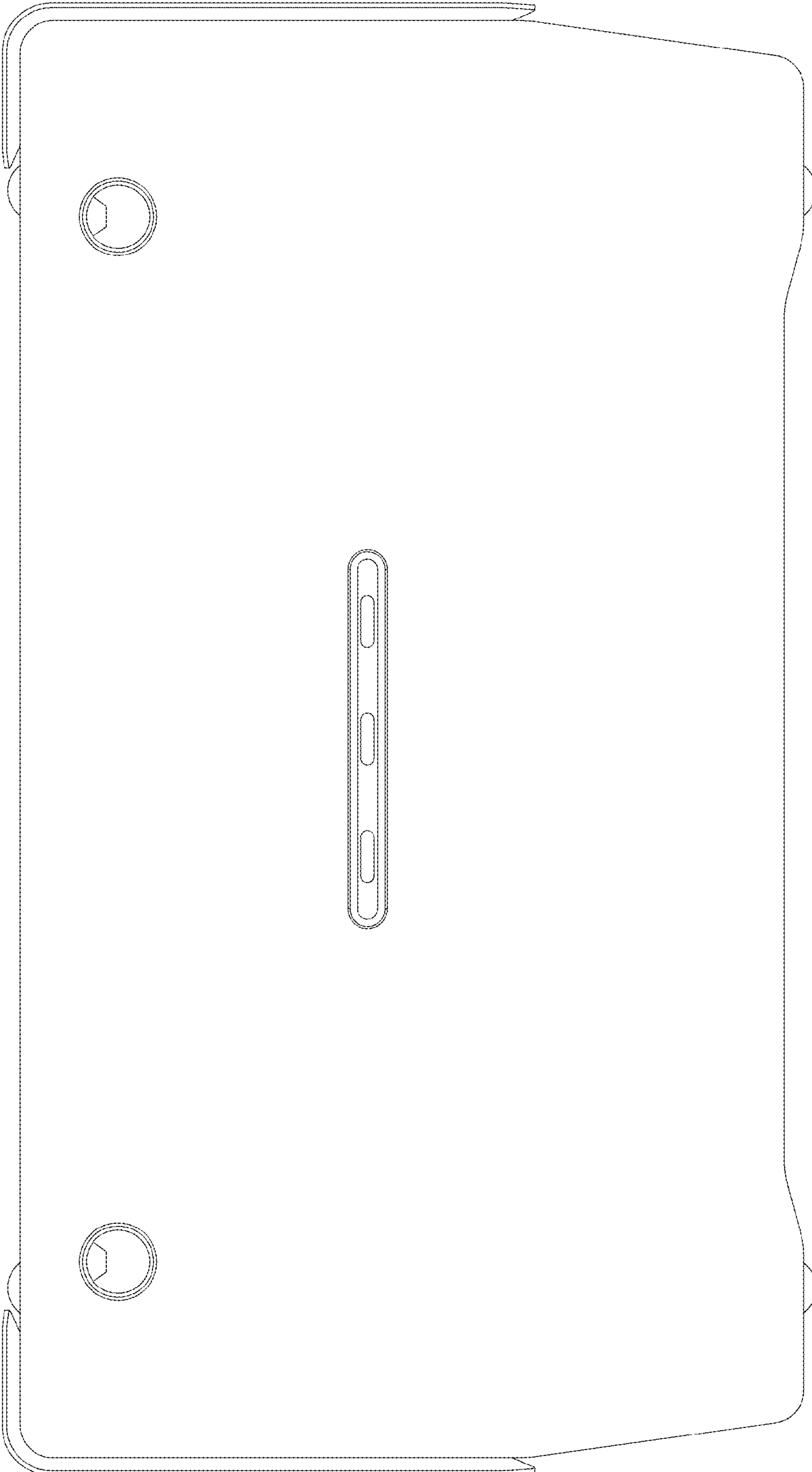


FIG.5

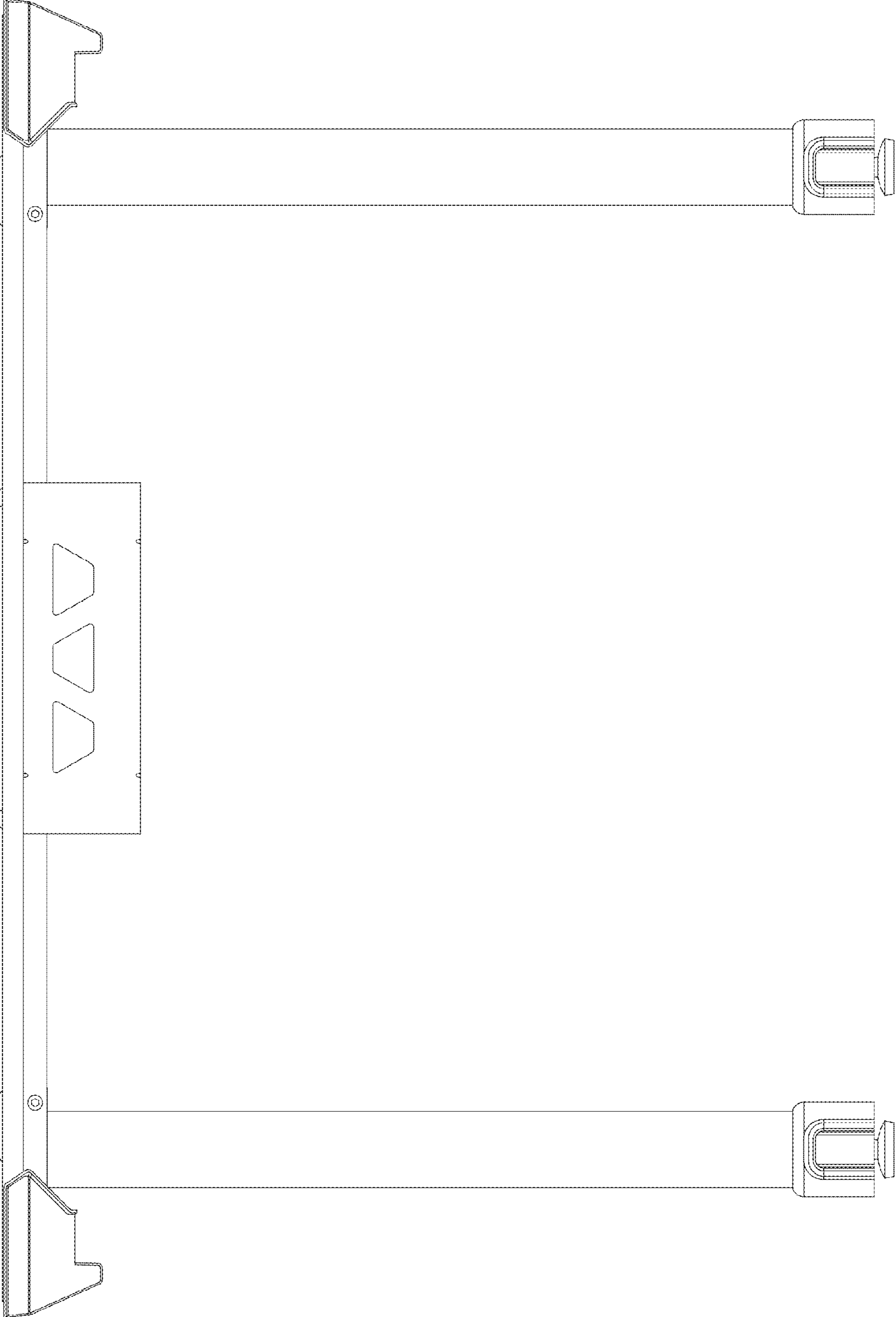


FIG.6

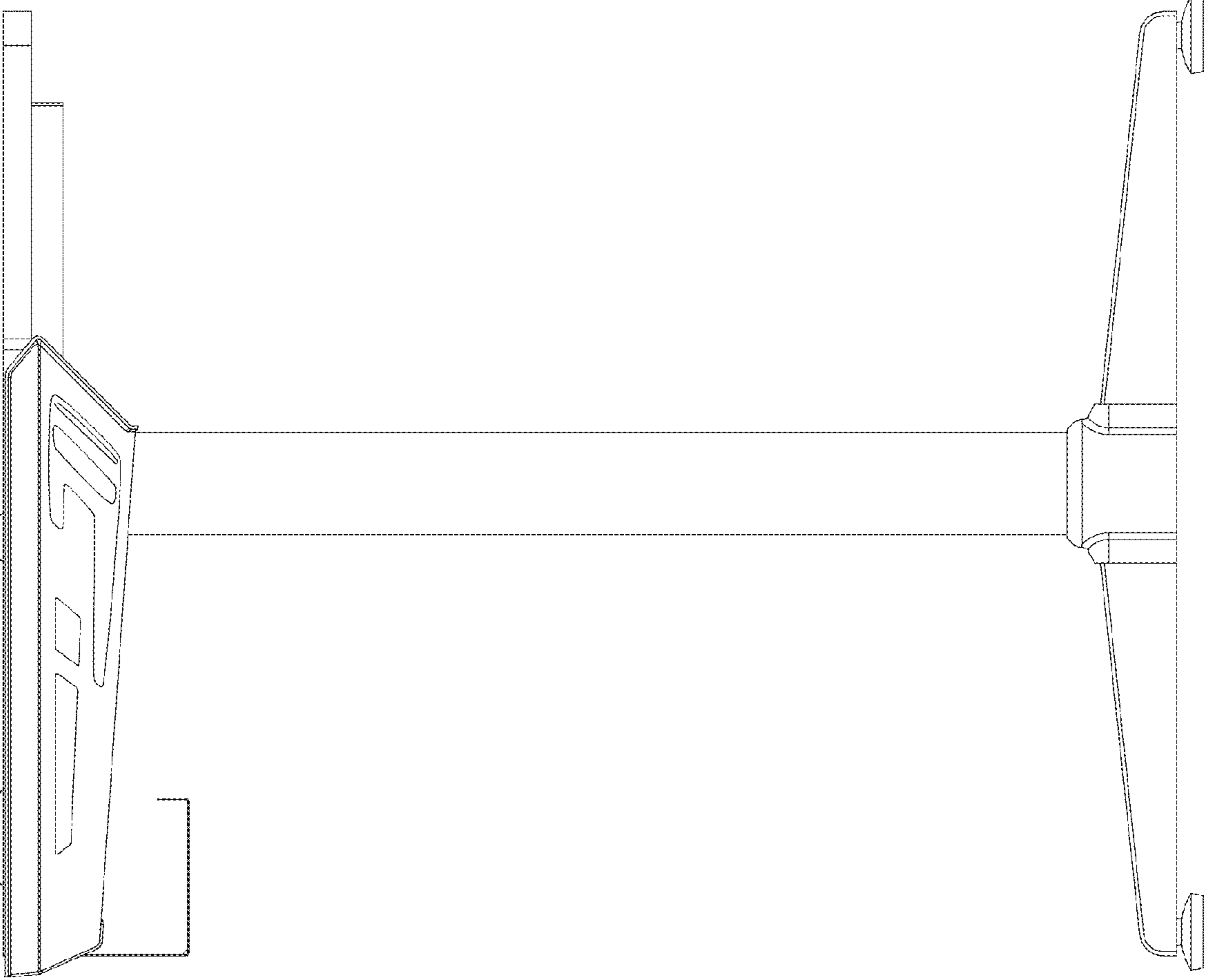


FIG.7

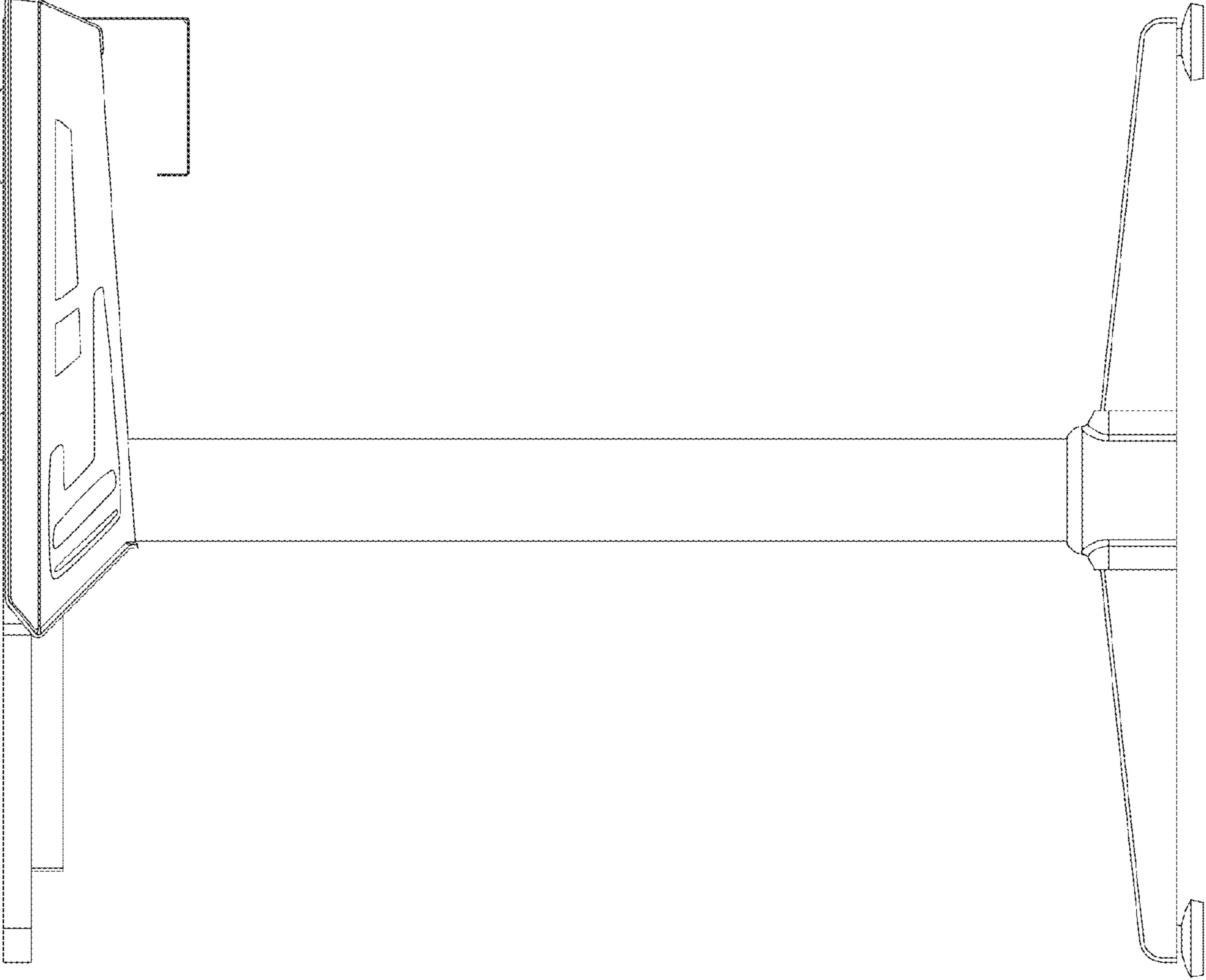


FIG.8