



US00D961960S

(12) **United States Design Patent**  
**You et al.**

(10) **Patent No.:** **US D961,960 S**

(45) **Date of Patent:** **\*\* Aug. 30, 2022**

(54) **PALM-SHAPED PILLOW**

(71) Applicant: **YIWU LOCYOP HOUSEHOLD  
PRODUCT CO., LTD, Yiwu (CN)**

(72) Inventors: **Wenbiao You, Yiwu (CN); Changwei  
Long, Yiwu (CN)**

(73) Assignee: **YIWU LOCYOP HOUSEHOLD  
PRODUCT CO., LTD, Yiwu (CN)**

(\*\*) Term: **15 Years**

(21) Appl. No.: **29/752,305**

(22) Filed: **Sep. 26, 2020**

(51) **LOC (13) Cl.** ..... **06-09**

(52) **U.S. Cl.**  
USPC ..... **D6/597**

(58) **Field of Classification Search**  
USPC ..... D6/595, 596, 597, 600, 601, 603, 604,  
D6/605, 606, 608; D24/183, 185, 234;  
D21/803, 804, 805, 809  
CPC ..... A47G 2009/1018; A47G 2009/003; A47G  
9/0253; A47G 9/10; A47G 9/1027; A47G  
9/1036; A47G 9/1054; A47G 9/1063;  
A47G 9/1072; A47G 9/1081; A47G  
9/109; A45F 4/06; A47C 21/06; A47C  
7/18; A47C 20/00; A47C 17/80; A47C  
17/82; A47C 17/64; A47C 27/00; A47C  
27/14; A47C 23/00

See application file for complete search history.

(56) **References Cited**

**U.S. PATENT DOCUMENTS**

D169,583 S \* 5/1953 Emery ..... D6/601  
4,197,604 A \* 4/1980 Nakamura ..... A47G 9/1045  
446/72  
D279,727 S \* 7/1985 Mitchell ..... 446/27  
D280,570 S \* 9/1985 Stanley ..... D2/632  
4,724,548 A \* 2/1988 London ..... A41F 9/002  
2/170

D297,750 S \* 9/1988 Loudenslager ..... D21/623  
D363,591 S \* 10/1995 Kaul ..... D11/5  
D370,585 S \* 6/1996 Faithfull ..... D2/631

(Continued)

**FOREIGN PATENT DOCUMENTS**

CN 306346225 \* 2/2021

**OTHER PUBLICATIONS**

Google search: "Yiwu Locyop Household Product Co., Ltd" [site visited Apr. 10, 2021]: [https://www.google.com/search?q=YIWU+LOCYOP+HOUSEHOLD+PRODUCT+CO&sxsr=ALeKk0360k-WBPLpV7XUOmnjtX7xRWS6\\_A:1618112086216&source=lnms&tbm=isch&sa=X&ved=2ahUKEwiJz-ugofXvAhWaEFkFHcVNCLwQ\\_AUoA3oECAEQBQ&biw=1920&bih=969](https://www.google.com/search?q=YIWU+LOCYOP+HOUSEHOLD+PRODUCT+CO&sxsr=ALeKk0360k-WBPLpV7XUOmnjtX7xRWS6_A:1618112086216&source=lnms&tbm=isch&sa=X&ved=2ahUKEwiJz-ugofXvAhWaEFkFHcVNCLwQ_AUoA3oECAEQBQ&biw=1920&bih=969) (Year: 2021).\*

(Continued)

*Primary Examiner* — Sanjeev Paul

(74) *Attorney, Agent, or Firm* — ScienBiziP, P.C.

(57) **CLAIM**

The ornamental design for a palm-shaped pillow, as shown and described.

**DESCRIPTION**

FIG. 1 is a top perspective view of a palm-shaped pillow, showing our design.

FIG. 2 is a front elevation view thereof.

FIG. 3 is a rear elevation view thereof.

FIG. 4 is a left side elevation thereof.

FIG. 5 is a right side elevation thereof.

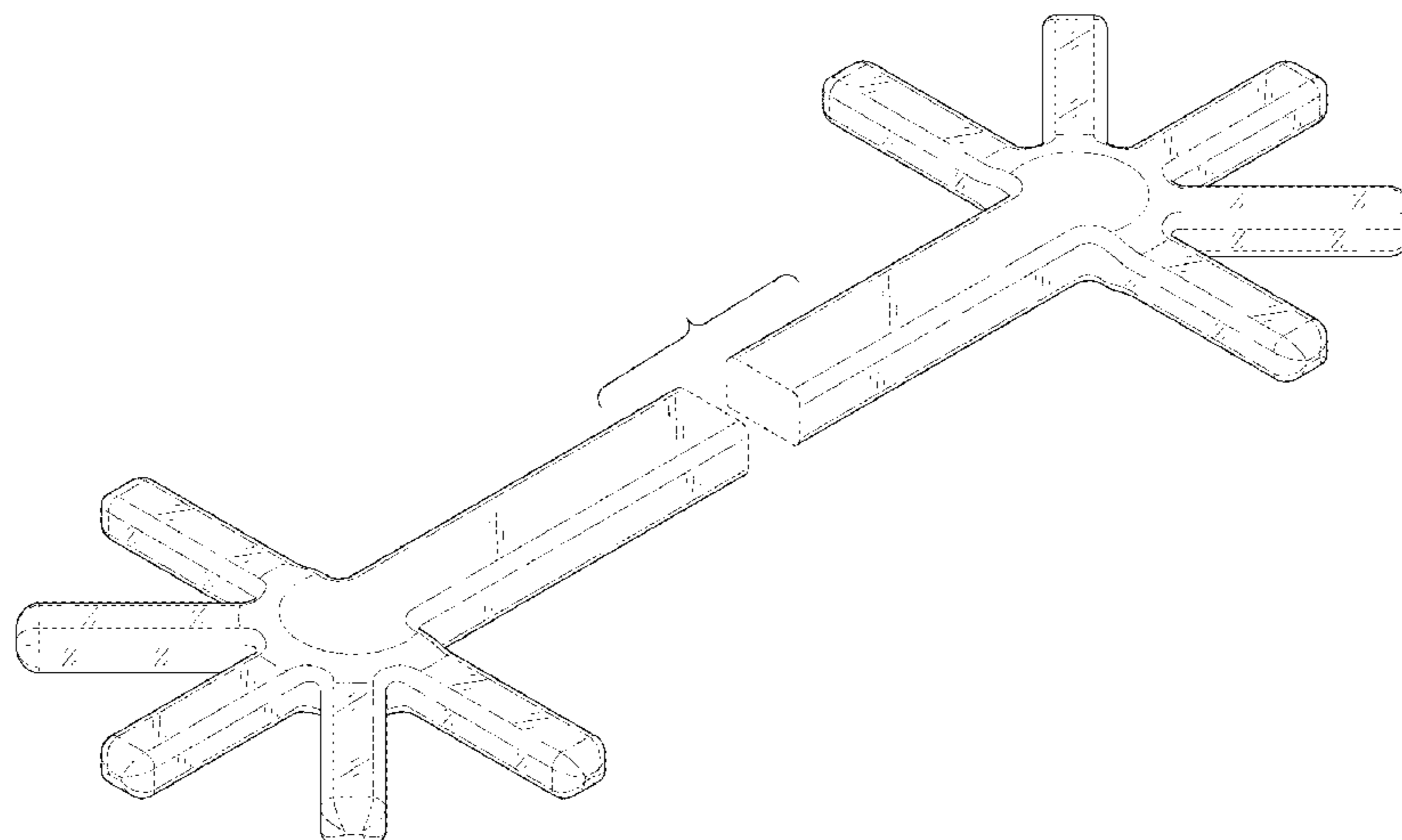
FIG. 6 is a top plan view thereof.

FIG. 7 is a bottom plan view thereof; and,

FIG. 8 is perspective view of the palm-shaped pillow in a use state.

The broken lines in the drawings depict environmental structure and boundaries and form no part of the claimed design.

(Continued)



The symbolic break lines depict the boundaries of the claim. The area between the break lines forms no part of the claimed design.

**1 Claim, 8 Drawing Sheets**

D696,044	S	*	12/2013	Robilotto	.....	D6/599
D719,873	S	*	12/2014	Gianfriddo	.....	D11/160
D761,593	S	*	7/2016	Blay	.....	D6/601
D790,878	S	*	7/2017	Florence	.....	D6/598
D838,514	S		1/2019	Casta-Baez		
10,588,417	B2	*	3/2020	Berube	.....	A47C 7/383
D887,175	S		6/2020	Loos		
D899,139	S	*	10/2020	Liu	.....	D6/601

(56)

**References Cited**

U.S. PATENT DOCUMENTS

D371,600	S	*	7/1996	Henry	.....	49/406
D377,815	S	*	2/1997	Deprima	.....	D2/823
D395,781	S	*	7/1998	Golder	.....	D6/599
D397,538	S	*	9/1998	Hannah	.....	D2/508
D416,159	S	*	11/1999	Porter	.....	5/655
D417,714	S	*	12/1999	Yeung	.....	D21/803
D513,654	S	*	1/2006	Roper	.....	D2/508
D530,136	S	*	10/2006	Toth	.....	D6/601
7,536,736	B1	*	5/2009	Martinez	.....	A47G 9/0253 5/421
D599,150	S	*	9/2009	Mittelstadt	.....	D6/601
D620,681	S	*	8/2010	Zausner	.....	D2/632
D670,476	S	*	11/2012	Nam	.....	D2/505
D695,547	S	*	12/2013	Robilotto	.....	D6/599

OTHER PUBLICATIONS

Google search: "bendable hand shaped pillow" [site visited Apr. 10, 2021]: [https://www.google.com/search?q=bendable+hand+shaped+pillow&sxsrf=ALeKk0062aBs5Tghs\\_U2Jfs302IkGdfokg:1618096665978&source=Inms&tbm=isch&sa=X&ved=2ahUKEwj\\_-Ln5\\_TVAhV3KfKfHdNHCmEQ\\_AUoAnoECAEQBA&biw=1200&bih=1777](https://www.google.com/search?q=bendable+hand+shaped+pillow&sxsrf=ALeKk0062aBs5Tghs_U2Jfs302IkGdfokg:1618096665978&source=Inms&tbm=isch&sa=X&ved=2ahUKEwj_-Ln5_TVAhV3KfKfHdNHCmEQ_AUoAnoECAEQBA&biw=1200&bih=1777) (Year: 2021).\*

Google search: "bendable hand shaped pillow" [site visited Apr. 10, 2021]: [https://www.google.com/search?q=bendable+pillow&sxsrf=ALeKk03-bCrSUWbDbyFcO2qKdW-CDJRzUw:1618096811252&source=Inms&tbm=isch&sa=X&ved=2ahUKEwjD\\_pWt6PTvAhWUF1kFHdaCARcQ\\_AUoAnoECAEQBA&biw=1200&bih=1777](https://www.google.com/search?q=bendable+pillow&sxsrf=ALeKk03-bCrSUWbDbyFcO2qKdW-CDJRzUw:1618096811252&source=Inms&tbm=isch&sa=X&ved=2ahUKEwjD_pWt6PTvAhWUF1kFHdaCARcQ_AUoAnoECAEQBA&biw=1200&bih=1777) (Year: 2021).\*

\* cited by examiner

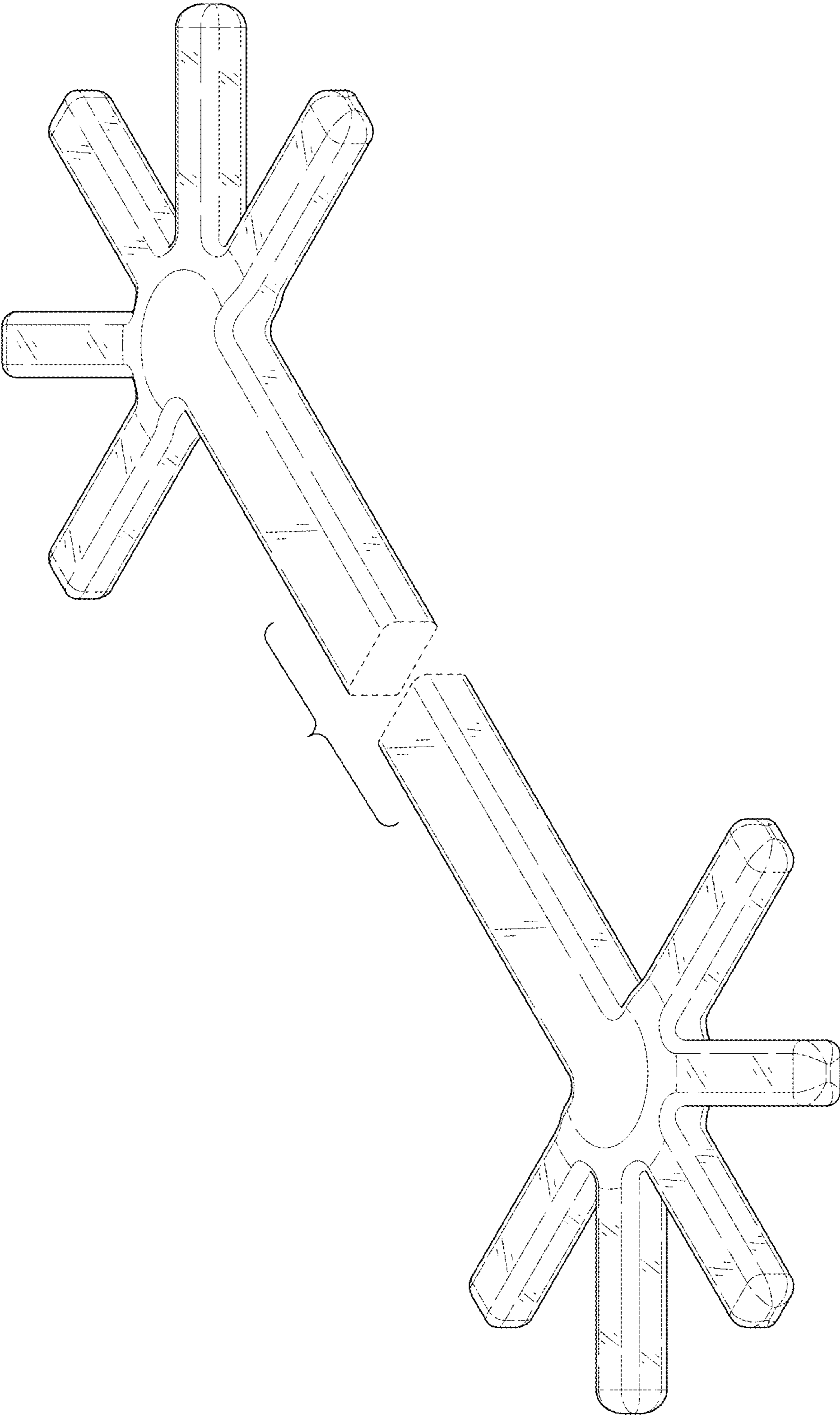


FIG. 1

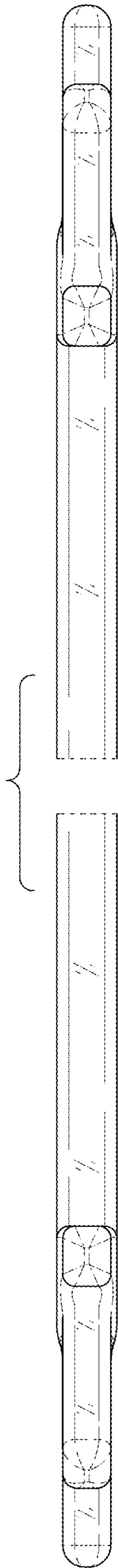


FIG. 2

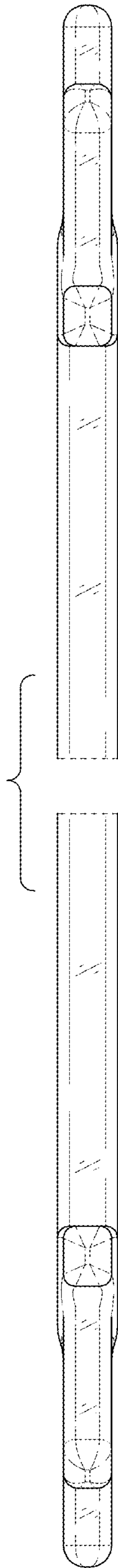


FIG. 3

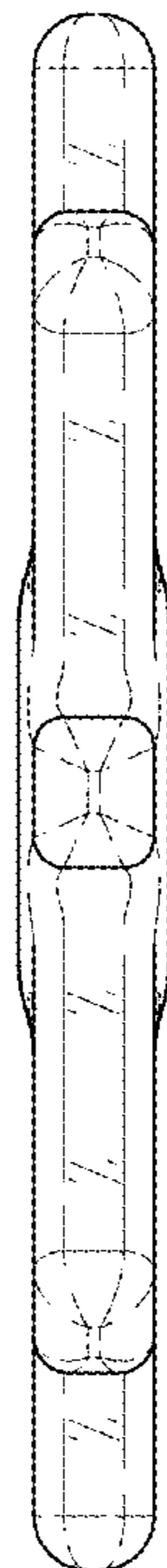


FIG. 4



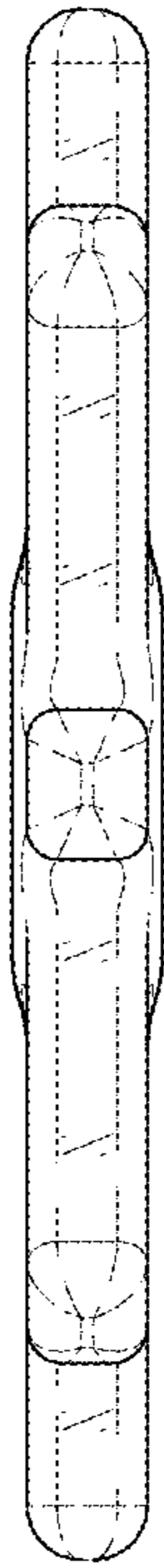


FIG. 5

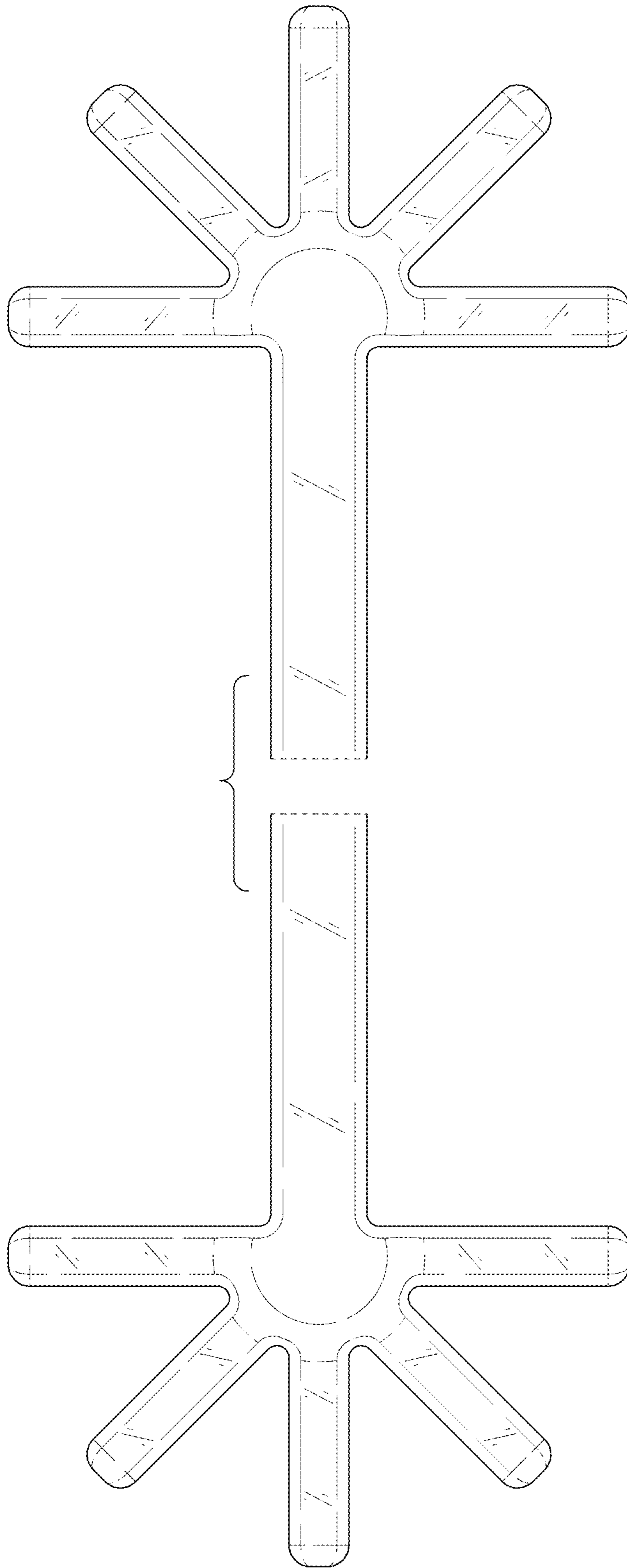


FIG. 6



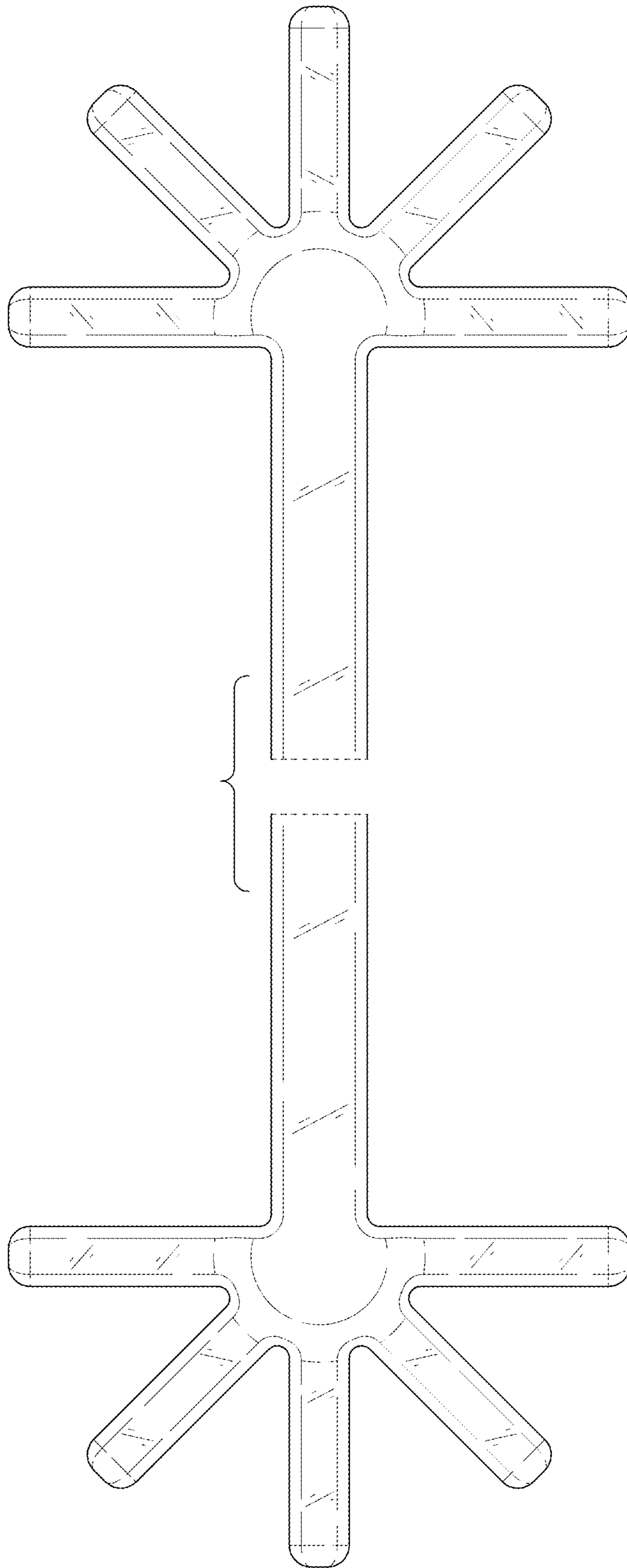


FIG. 7

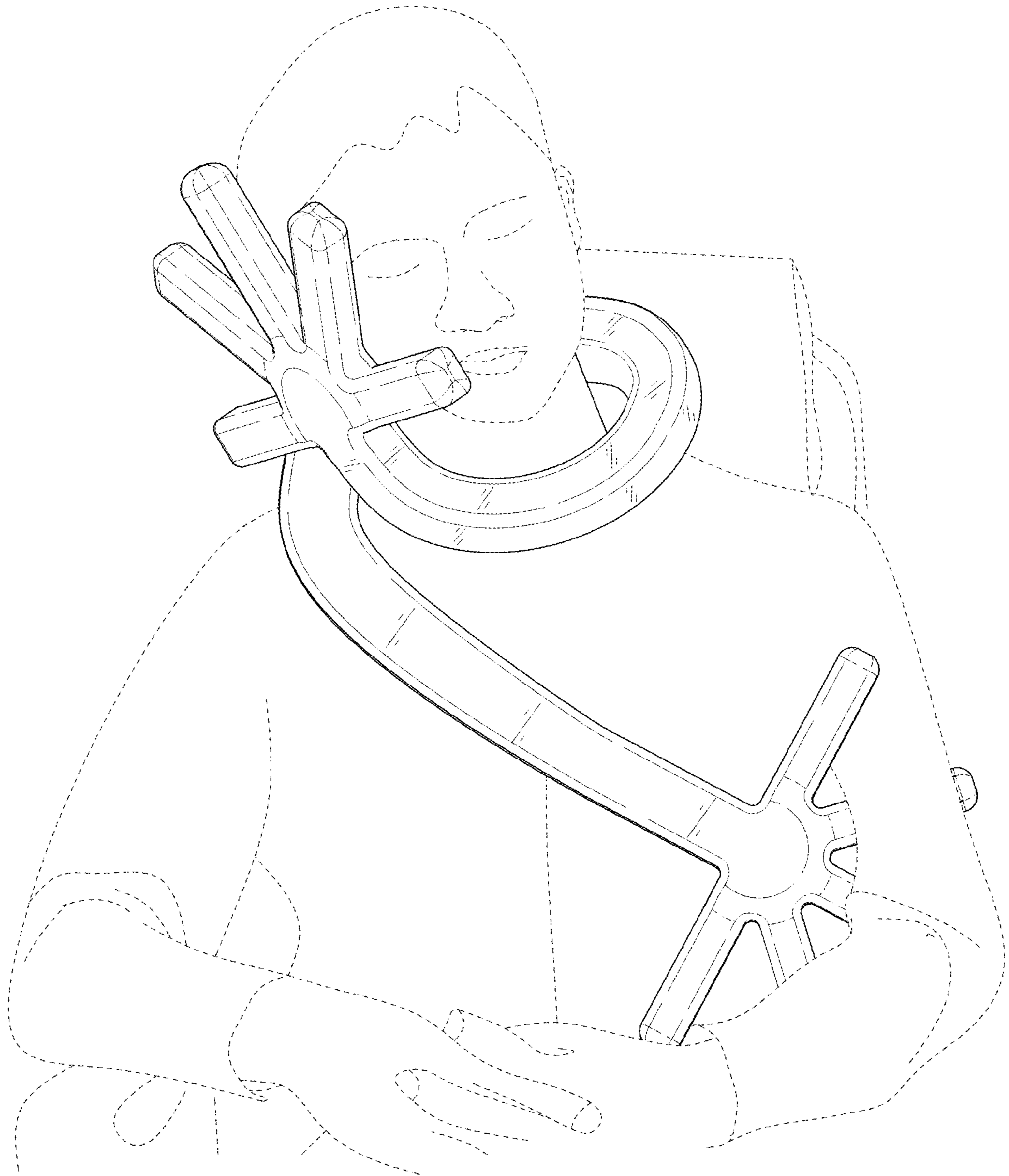


FIG. 8