



US00D961958S

(12) **United States Design Patent** (10) **Patent No.:** **US D961,958 S**
Lai et al. (45) **Date of Patent:** **** Aug. 30, 2022**

(54) **FITTING FOR CURTAINS**

(56) **References Cited**

(71) Applicant: **BEIJING XIAOMI MOBILE SOFTWARE CO., LTD.**, Beijing (CN)

U.S. PATENT DOCUMENTS

(72) Inventors: **Yixi Lai**, Beijing (CN); **Lei Zhang**, Beijing (CN); **Ningning Li**, Beijing (CN)

D392,490	S	*	3/1998	Kimata	D6/580
D429,588	S	*	8/2000	Smederod	D6/575
8,136,569	B2	*	3/2012	Bohlen	E06B 9/42 192/223.4
D744,765	S	*	12/2015	Wu	D6/580
D746,077	S	*	12/2015	Vrooman	D6/580
D813,568	S	*	3/2018	Raiti	D6/580
D813,569	S	*	3/2018	Guerra	D6/580
D871,104	S	*	12/2019	Raiti	D6/580
D878,103	S	*	3/2020	Bacal	E06B 9/58 D6/580
D896,619	S	*	9/2020	Chen	E06B 9/322 D8/358
2008/0099157	A1	*	5/2008	Nien	E06B 9/322 160/84.05
2018/0044981	A1	*	2/2018	Wang	E06B 9/58

(73) Assignee: **BEIJING XIAOMI MOBILE SOFTWARE CO., LTD.**, Beijing (CN)

(**) Term: **15 Years**

(21) Appl. No.: **35/510,946**

(22) Filed: **Oct. 10, 2020**

(80) **Hague Agreement Data**

Int. Filing Date: **Oct. 10, 2020**
Int. Reg. No.: **DM/211531**
Int. Reg. Date: **Oct. 10, 2020**
Int. Reg. Pub. Date: **Dec. 11, 2020**

(30) **Foreign Application Priority Data**

Apr. 15, 2020 (CN) 202030149430.6

(51) **LOC (13) Cl.** **06-10**

(52) **U.S. Cl.**
USPC **D6/580**

(58) **Field of Classification Search**
USPC D6/575, 579, 580; D8/363
CPC . A47H 1/00; A47H 1/10; A47H 1/104; A47H 1/12; A47H 1/13; A47H 1/18; A47H 13/00; E06B 3/30; E06B 3/667

See application file for complete search history.

* cited by examiner

Primary Examiner — Mary Ann Calabrese
(74) *Attorney, Agent, or Firm* — Syncoda LLC; Feng Ma

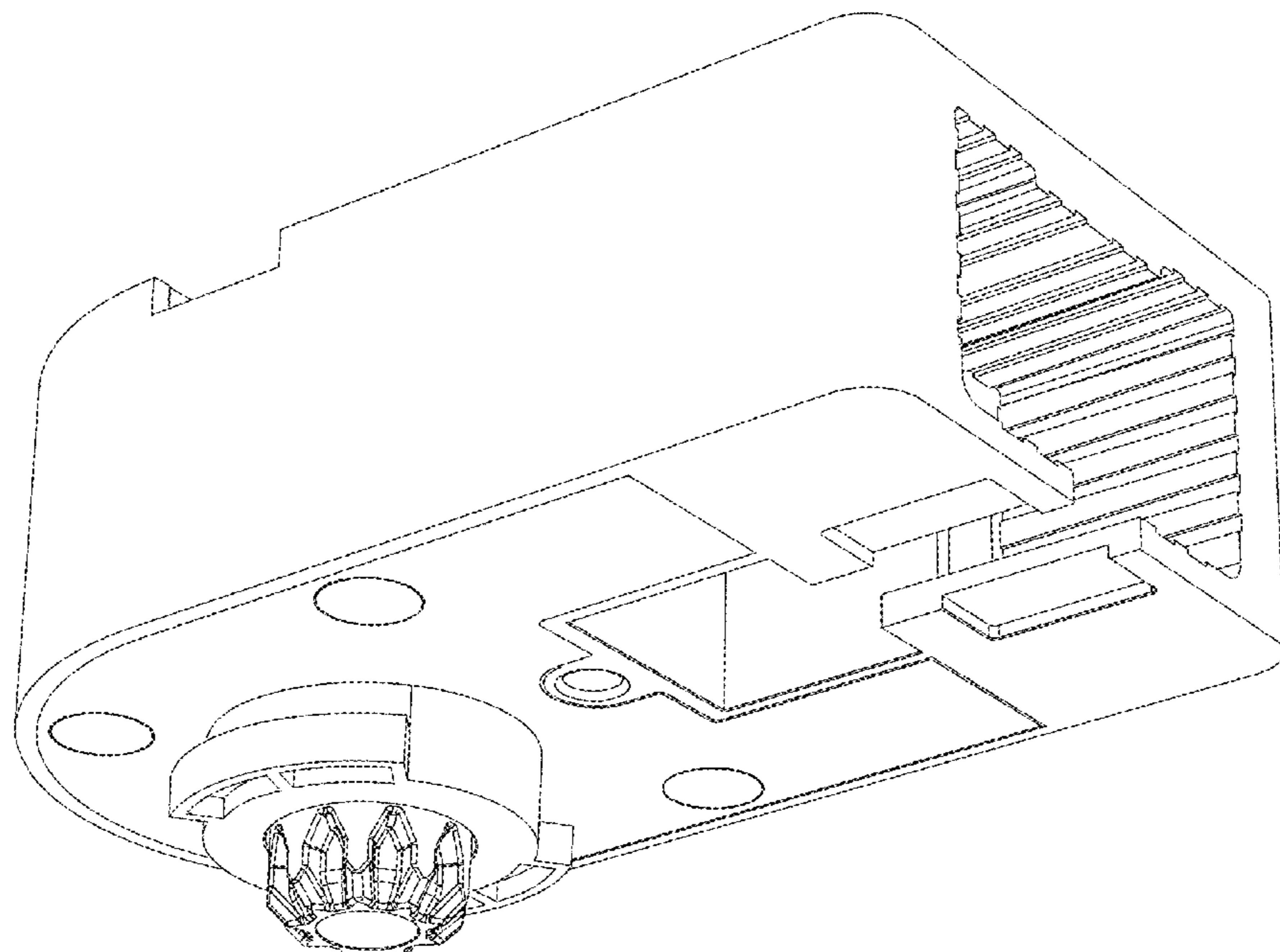
(57) **CLAIM**

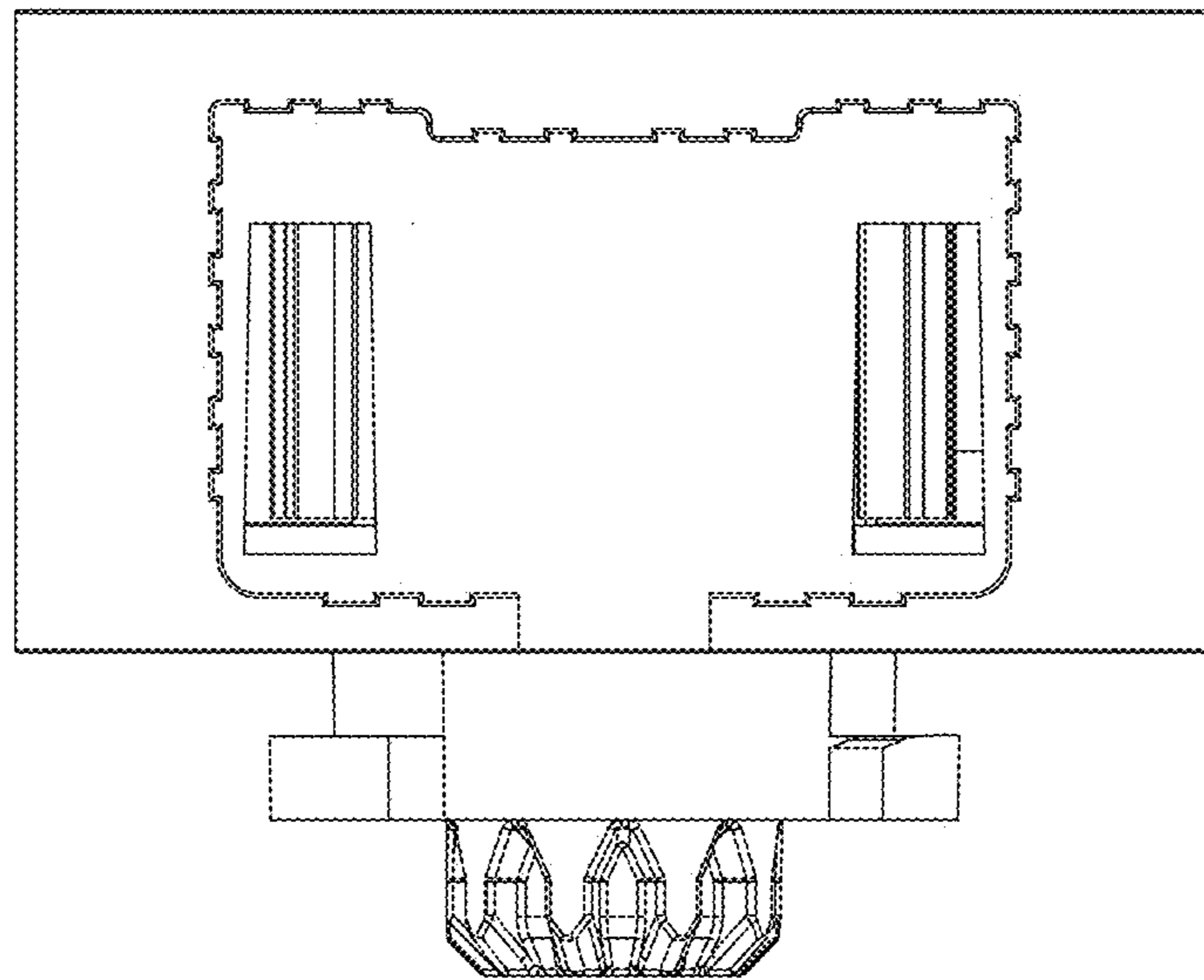
The ornamental design for a fitting for curtains, as shown and described.

DESCRIPTION

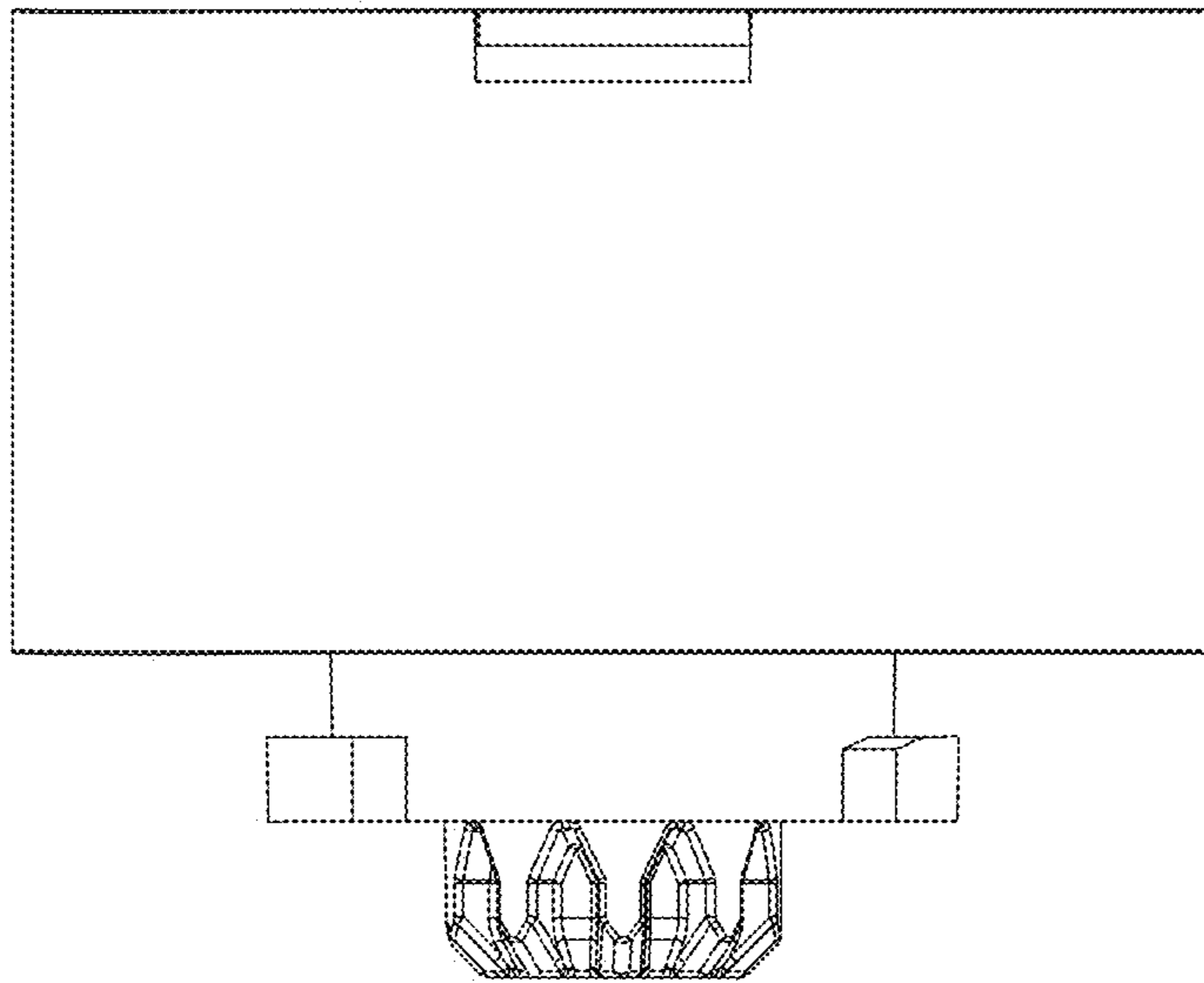
1. Fitting for curtains
 - 1.1 : Front
 - 1.2 : Back
 - 1.3 : Left
 - 1.4 : Right
 - 1.5 : Top
 - 1.6 : Bottom
 - 1.7 : Perspective

1 Claim, 7 Drawing Sheets

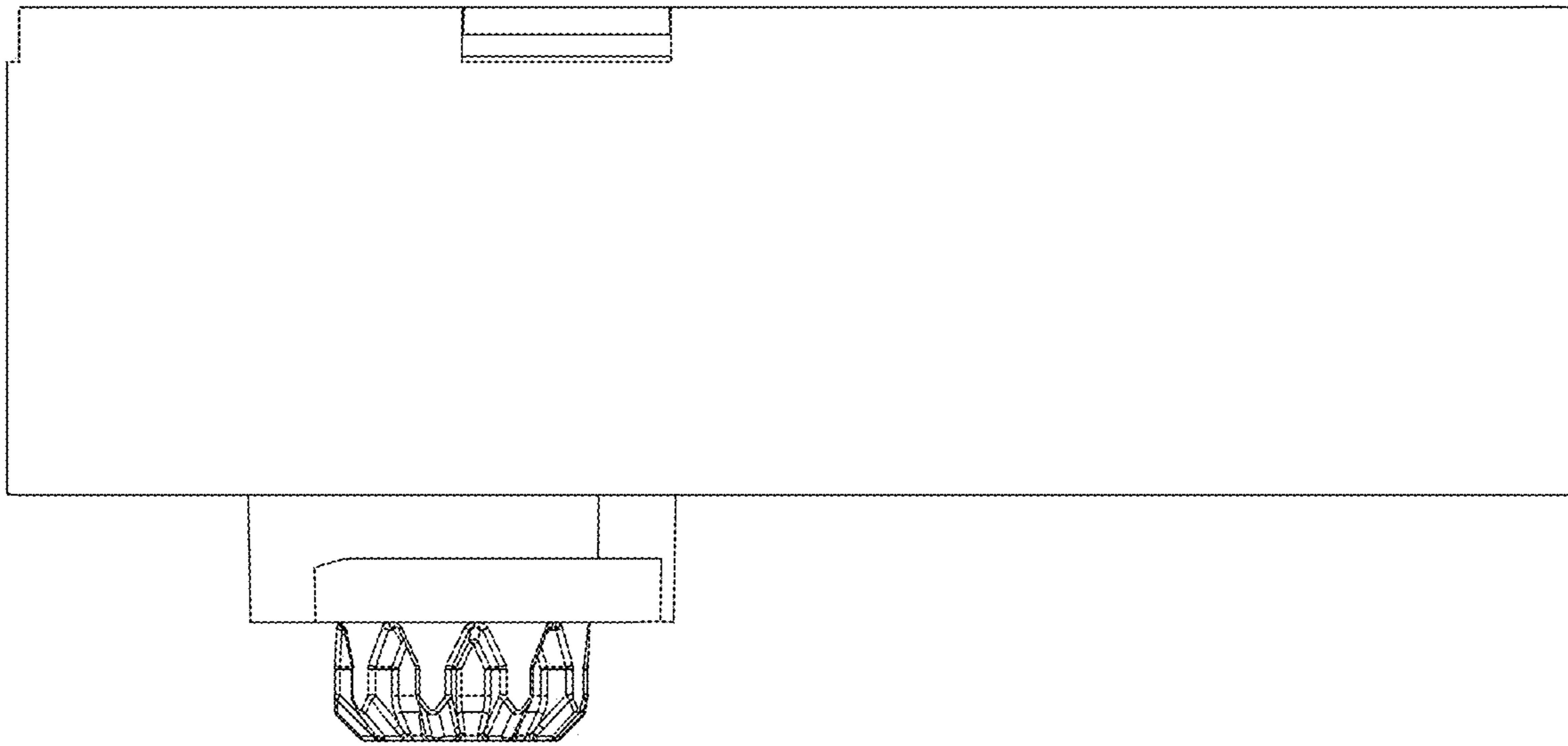




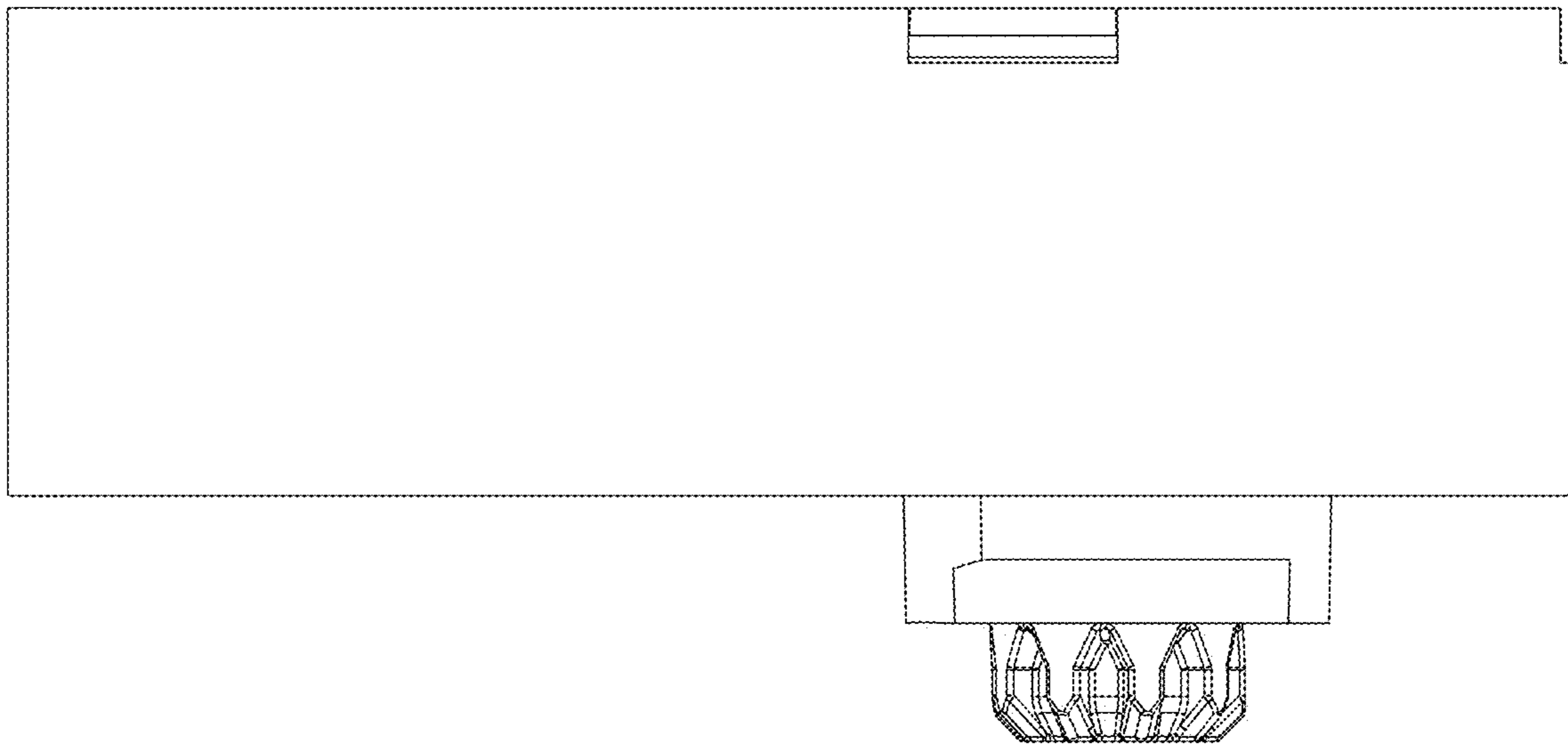
1.1



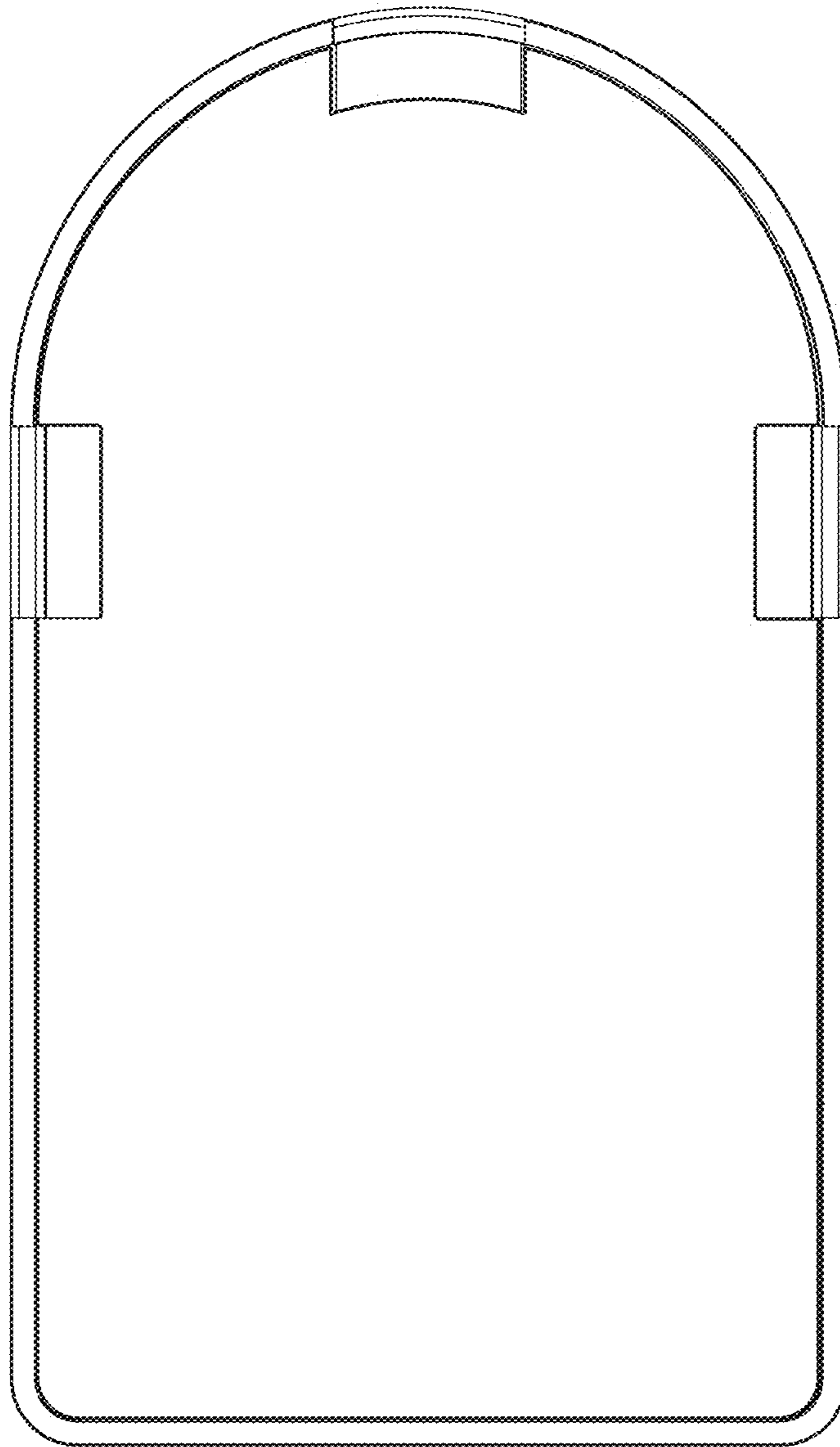
1.2



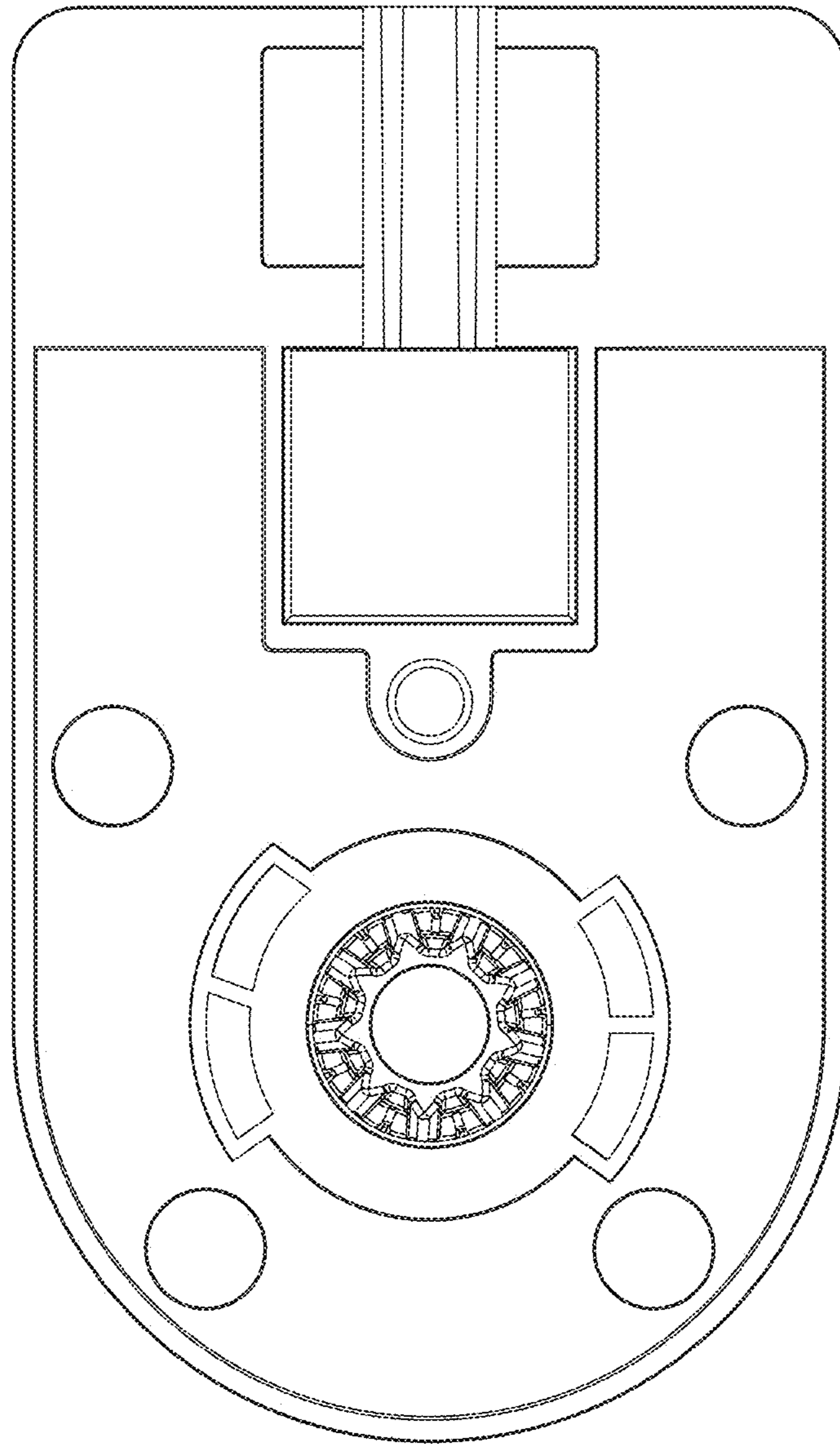
1.3



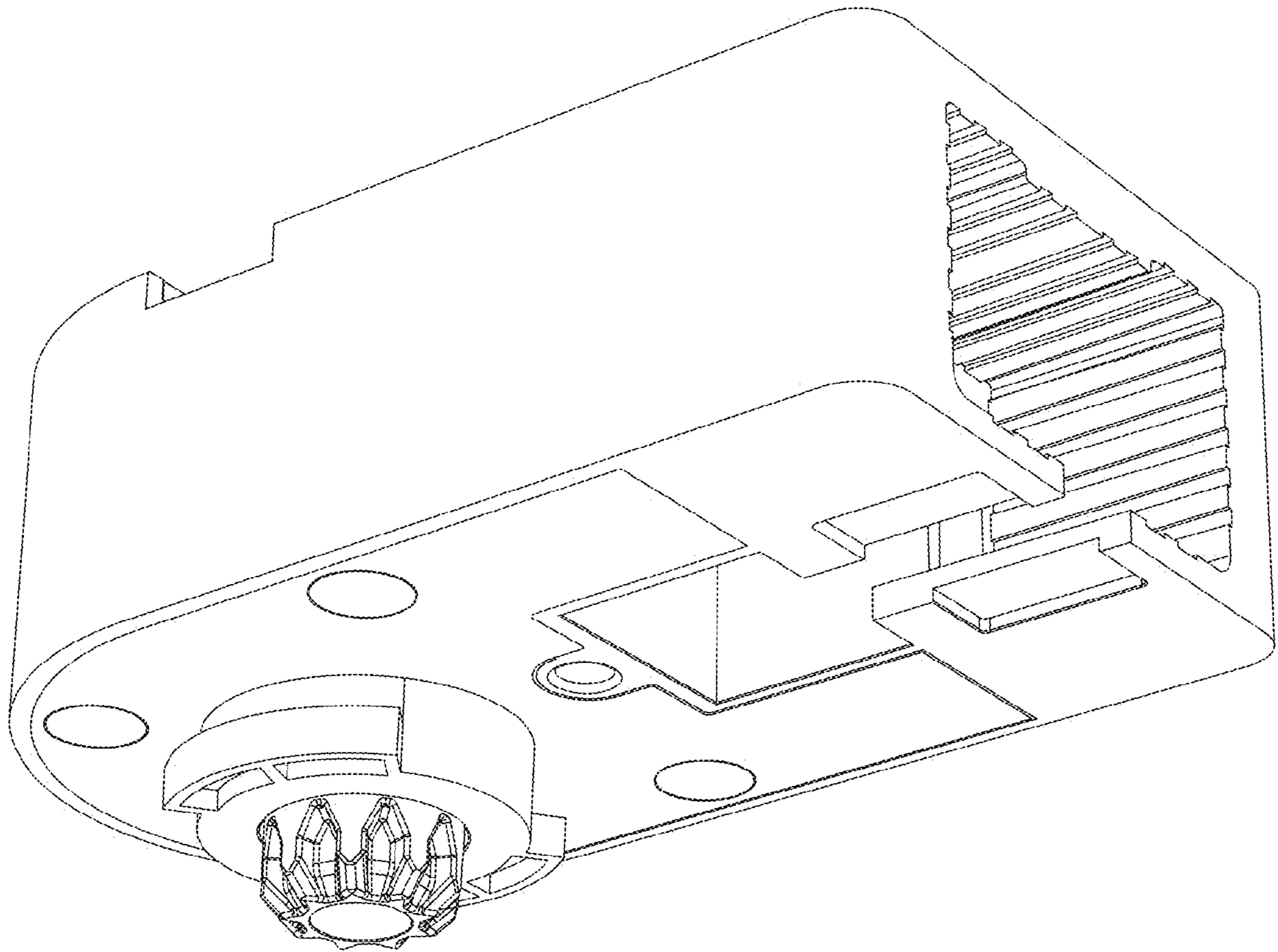
1.4



1.5



1.6



1.7