



US00D961950S

(12) **United States Design Patent**
Chu et al.

(10) **Patent No.: US D961,950 S**

(45) **Date of Patent: ** Aug. 30, 2022**

(54) **SEAT**

(71) Applicant: **SUBARU CORPORATION**, Tokyo
(JP)

(72) Inventors: **Gary Chu**, Tustin, CA (US); **Te-Yuan Ma**, Tustin, CA (US)

(73) Assignee: **SUBARU CORPORATION**, Tokyo
(JP)

(**) Term: **15 Years**

(21) Appl. No.: **29/746,512**

(22) Filed: **Aug. 14, 2020**

(51) **LOC (13) Cl.** **06-01**

(52) **U.S. Cl.**
USPC **D6/356**

(58) **Field of Classification Search**
USPC D6/334-336, 356, 364, 365, 366, 367,
D6/368, 374, 375, 716, 716.1, 716.2,
D6/716.3, 716.4, 716.5
CPC ... B60N 2/00; B60N 2/02; B60N 2/20; B60N
2/2222; B60N 2/58; B60N 2/64; B60N
2/643; B60N 2/646; B60N 2/68; B60N
2/682; B60N 2/686; B60N 2/80; B60N
2/803; B60N 2/806

See application file for complete search history.

(56) **References Cited**

U.S. PATENT DOCUMENTS

D365,216 S * 12/1995 Smith D6/356
D799,224 S * 10/2017 Callum D6/356
2019/0217757 A1 * 7/2019 Kato B60N 2/682

* cited by examiner

Primary Examiner — Mimoso De

(74) *Attorney, Agent, or Firm* — McDermott Will &
Emery LLP

(57) **CLAIM**

The ornamental design for a seat, as shown and described.

DESCRIPTION

FIG. 1 is a front perspective view of a seat showing our new design;

FIG. 2 is a rear perspective view thereof;

FIG. 3 is a front view thereof;

FIG. 4 is a rear view thereof;

FIG. 5 is a left-side view thereof;

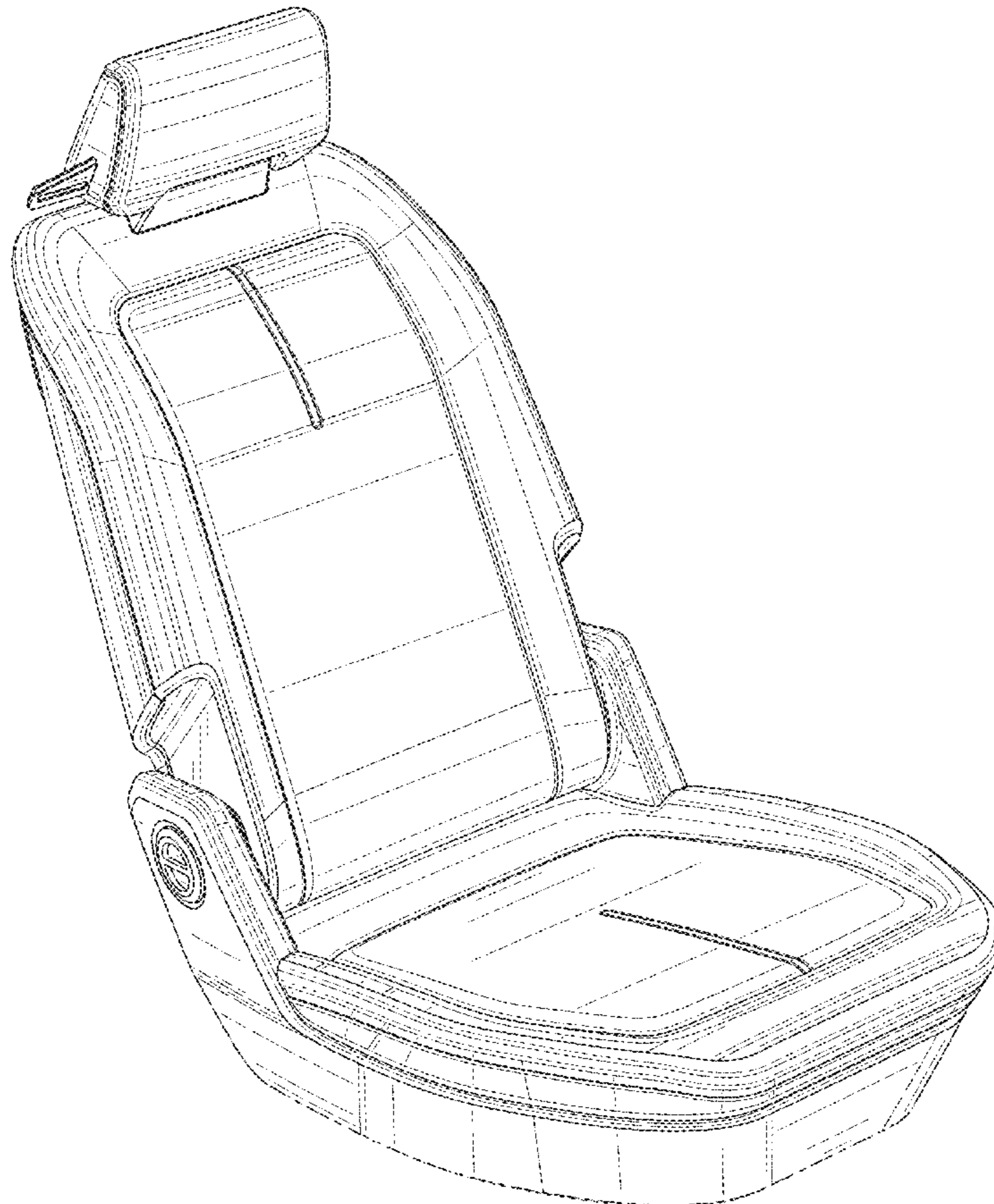
FIG. 6 is a right-side view thereof;

FIG. 7 is a top view thereof; and,

FIG. 8 is a bottom view thereof.

The broken lines in the drawings are for illustrative purposes only and form no part of the claimed design.

1 Claim, 8 Drawing Sheets



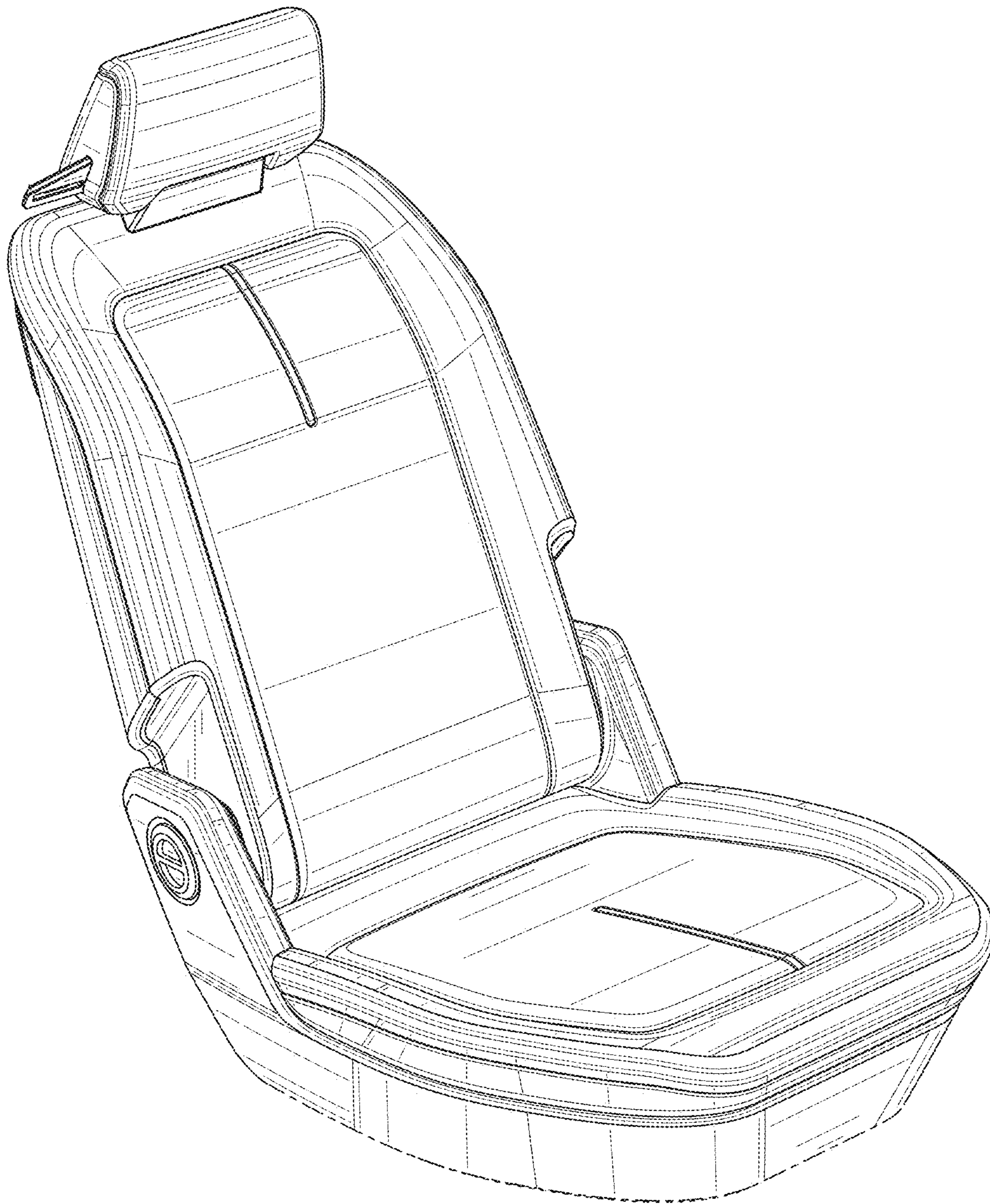


FIG. 1

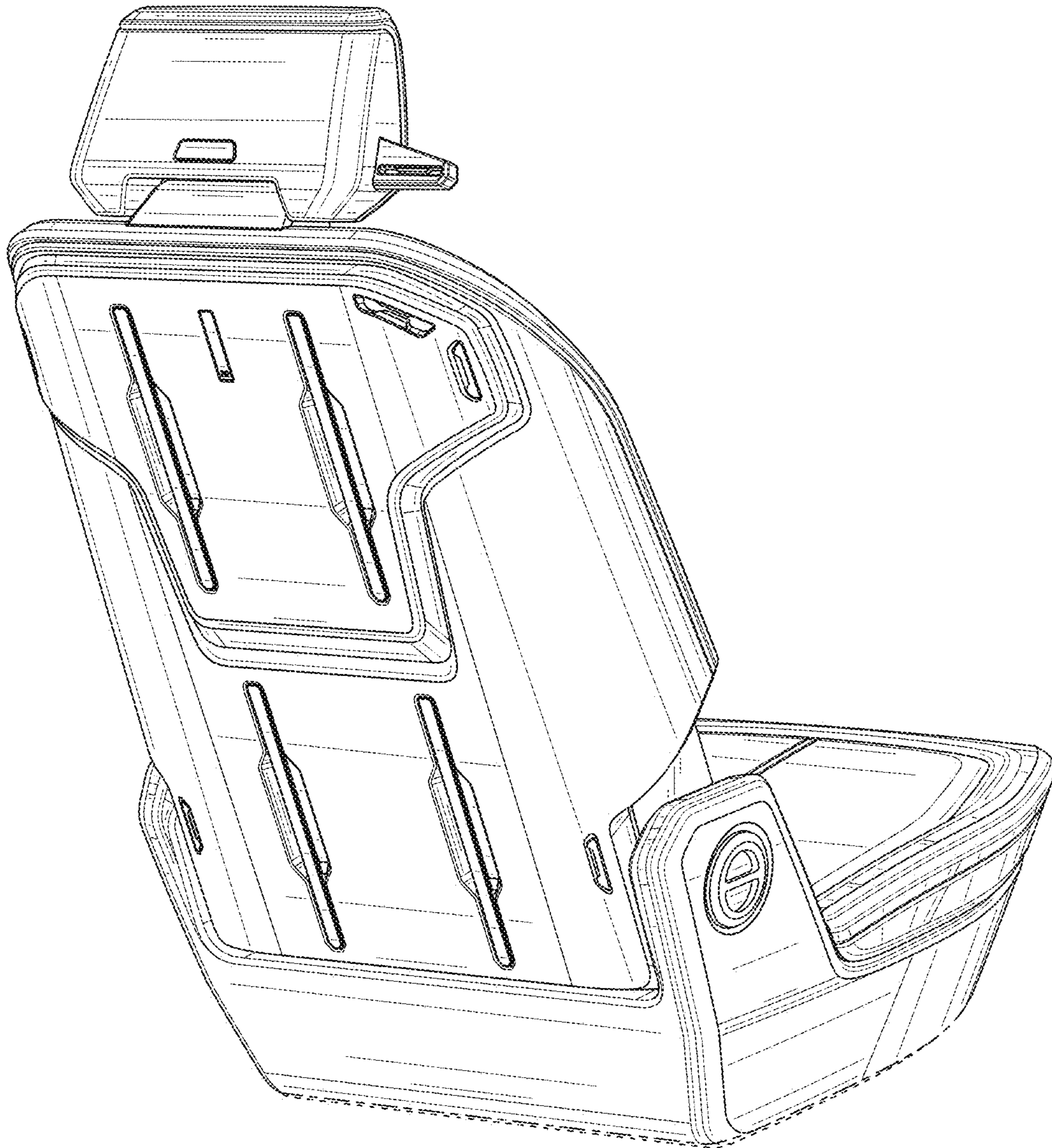


FIG. 2

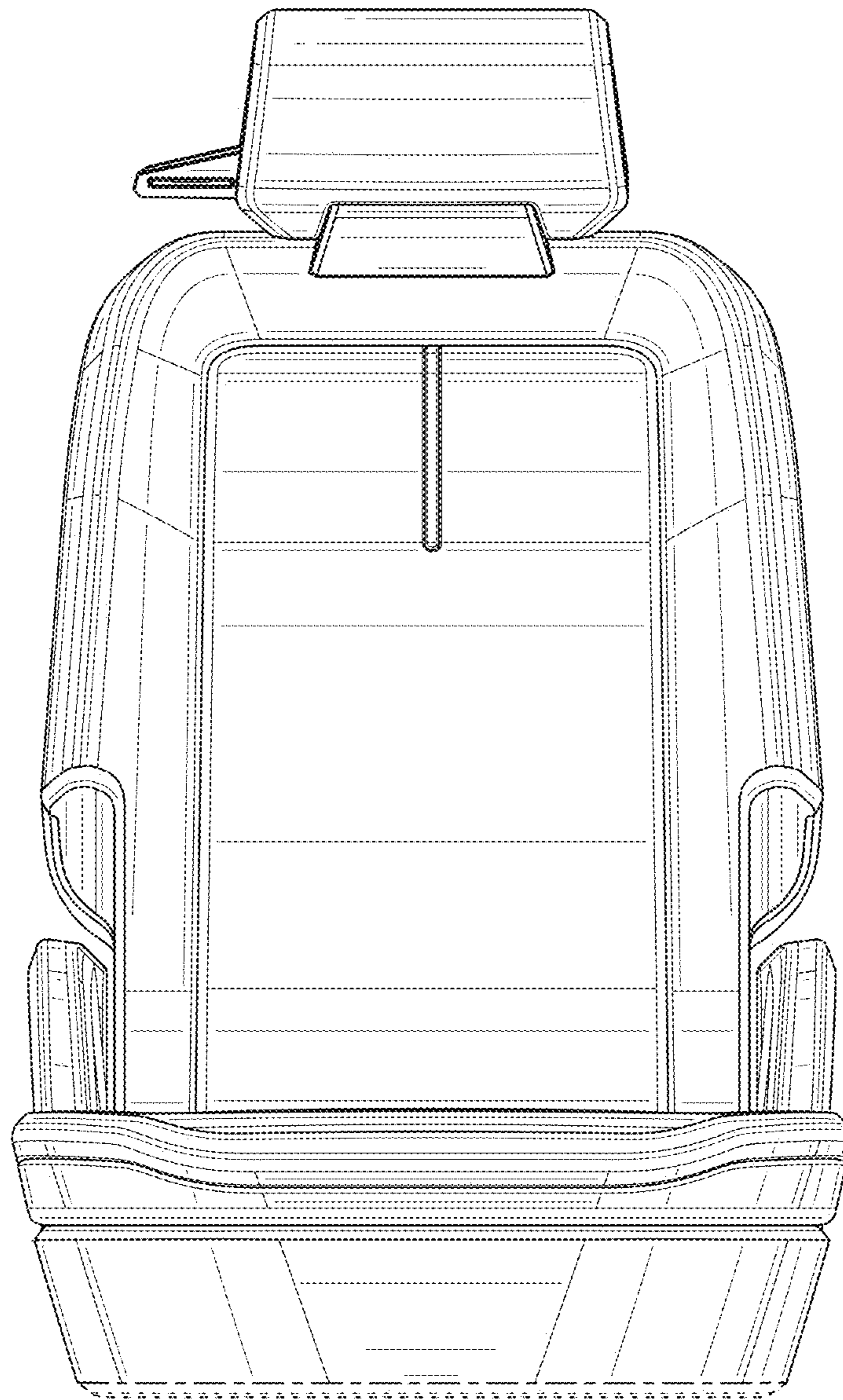


FIG. 3

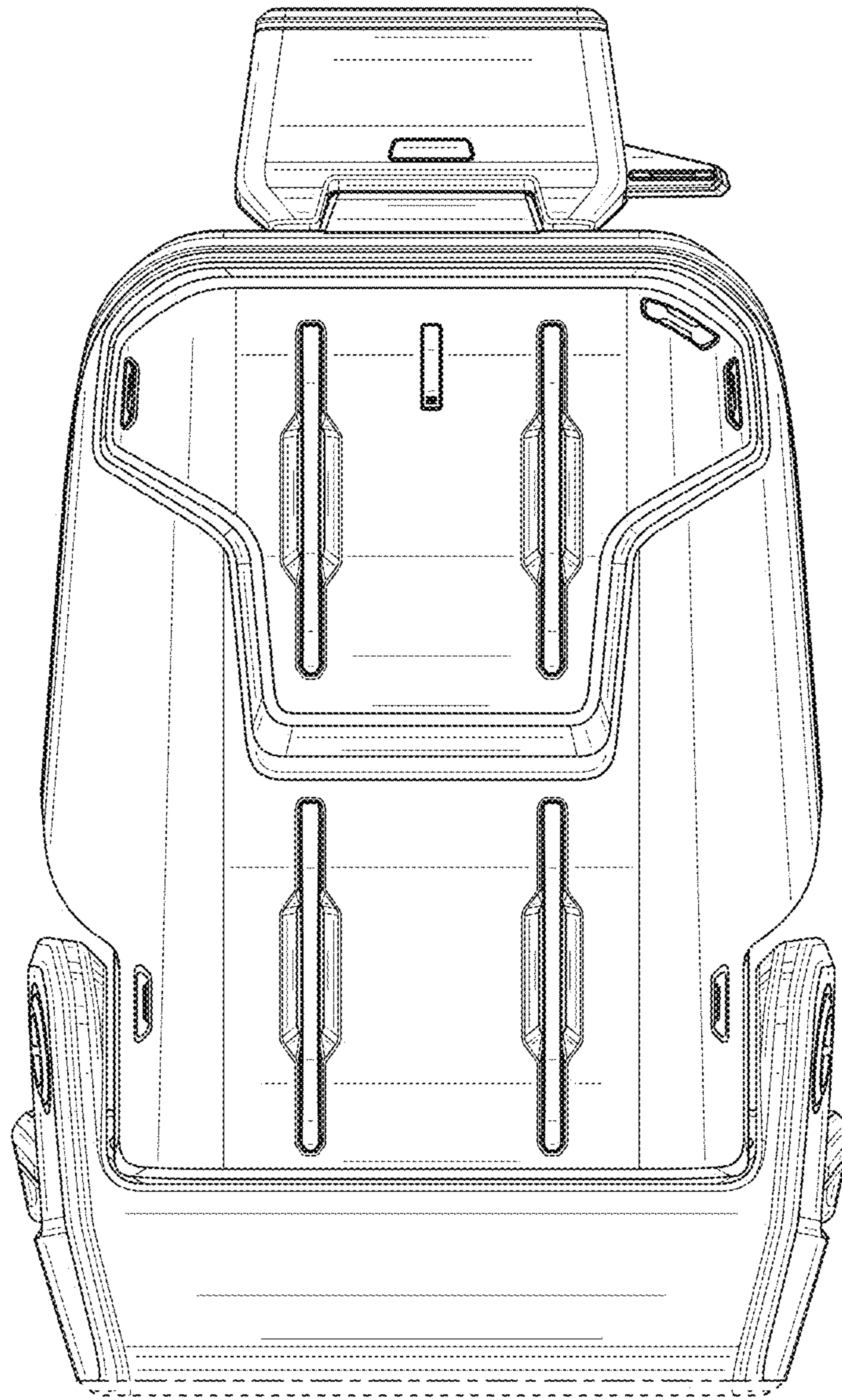


FIG. 4

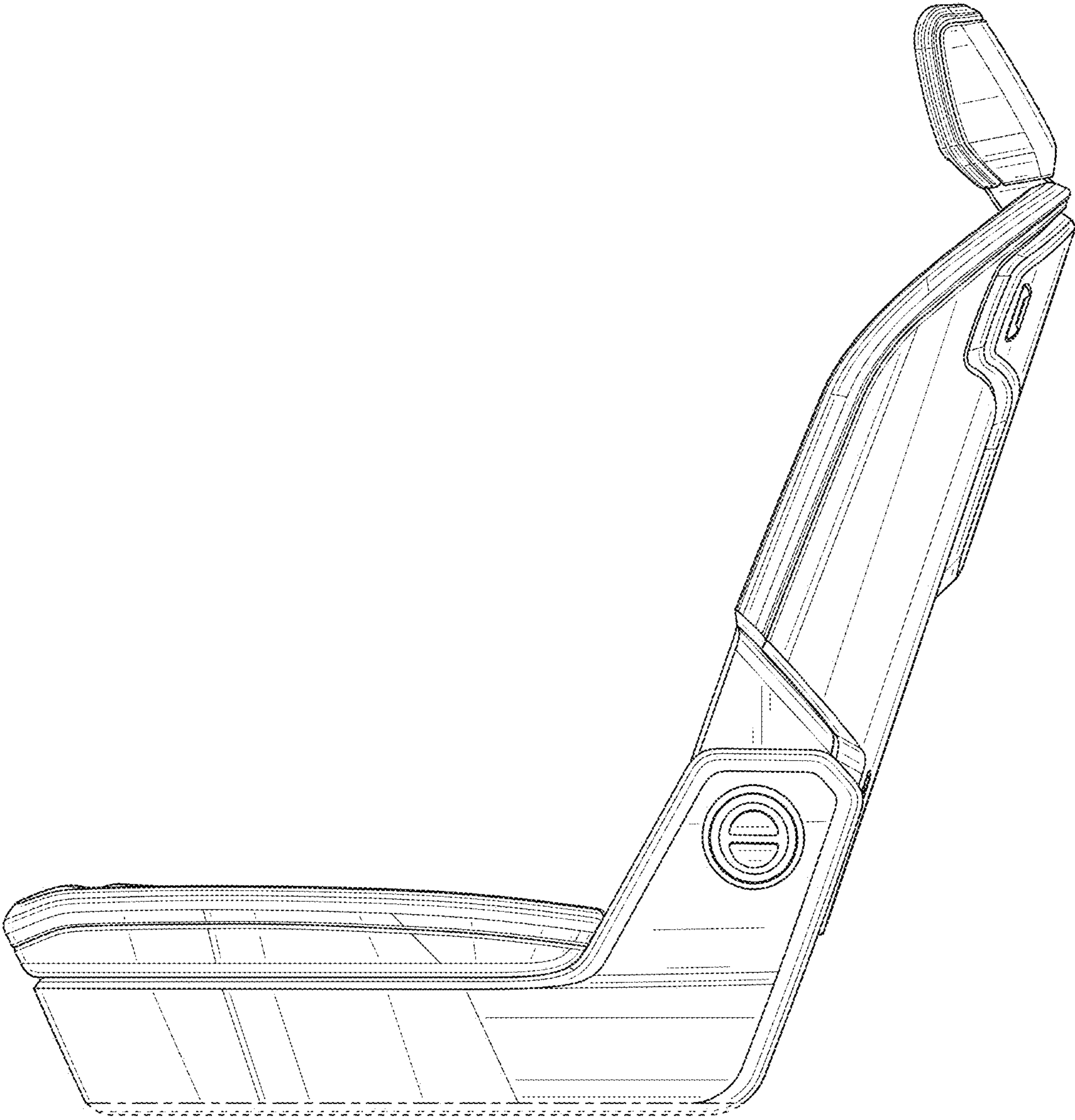


FIG. 5



FIG. 6

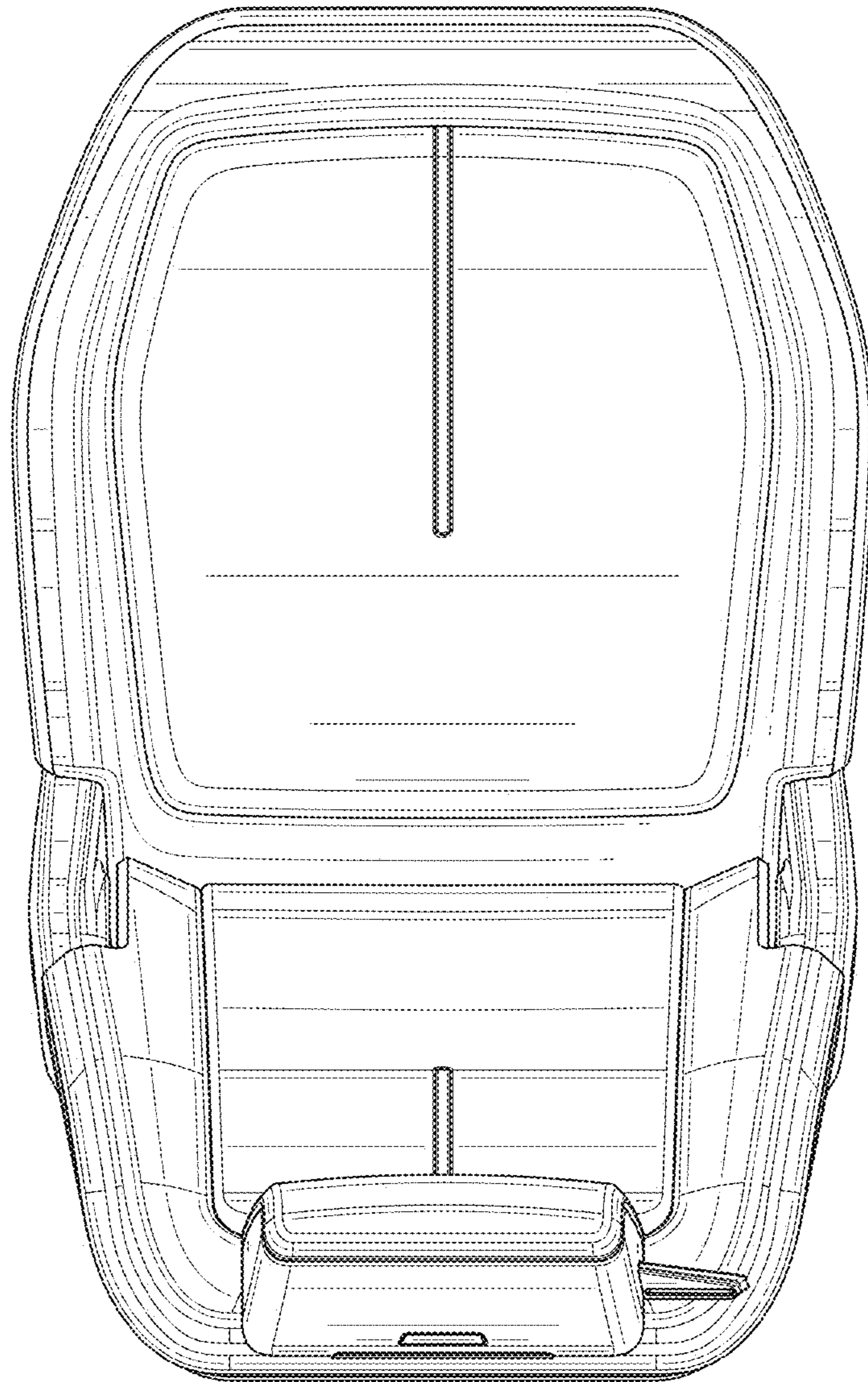


FIG. 7

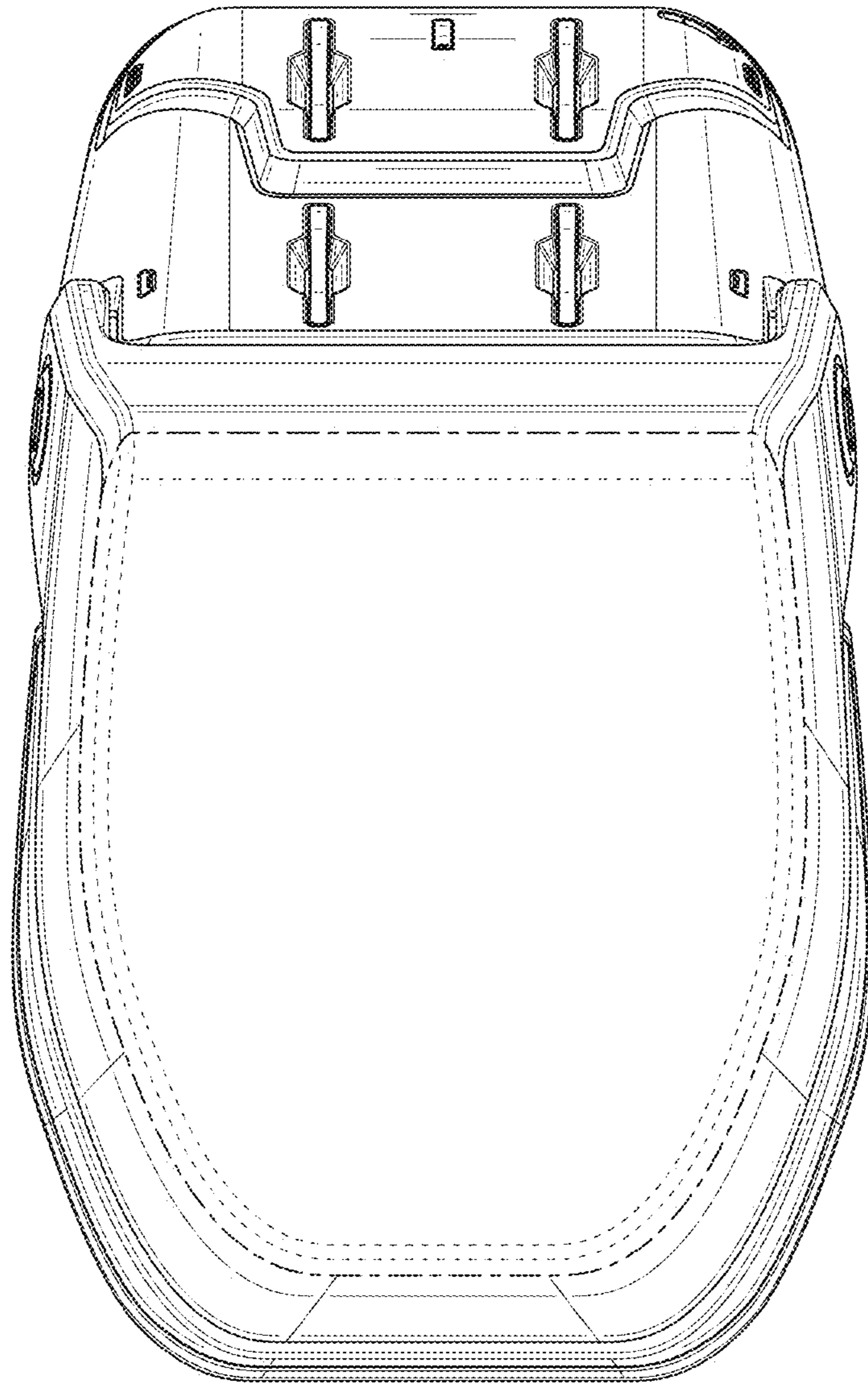


FIG. 8