



US00D961946S

(12) **United States Design Patent** (10) **Patent No.:** **US D961,946 S**
Padgett et al. (45) **Date of Patent:** **** Aug. 30, 2022**

(54) **BOOSTER SEAT**

FOREIGN PATENT DOCUMENTS

(71) Applicant: **KIDS2, INC.**, Atlanta, GA (US)

CN 203168594 U 9/2013
GB 2444837 A 6/2008

(72) Inventors: **Alexander Padgett**, Atlanta, GA (US);
Cornell L. Lewis, Jr., Lawrenceville,
GA (US)

(Continued)

OTHER PUBLICATIONS

(73) Assignee: **KIDS2, INC.**, Atlanta, GA (US)

Prince Lionheart Booster Squish, available in Amazon.ca, date first available Jan. 28, 2018 [online], Retrieved Nov. 30, 2021 from URL: <https://www.amazon.ca/Prince-Lionheart-Booster-Squish-Gumball/dp/B073579L6M/> (Year: 2018).*

(**) Term: **15 Years**

(Continued)

(21) Appl. No.: **29/748,567**

(22) Filed: **Aug. 31, 2020**

(51) **LOC (13) Cl.** **06-01**

(52) **U.S. Cl.**
USPC **D6/333**

(58) **Field of Classification Search**
USPC D6/333, 334, 339, 390-392, 331, 395,
D6/664, 714, 715.1-2, 406.1-6; D7/354,
D7/587, 641; D24/183; D30/118
CPC B60N 2/30; A47D 15/00; A47D 1/00
See application file for complete search history.

Primary Examiner — Vy N Koenig

Assistant Examiner — Michelle M Reeves

(74) *Attorney, Agent, or Firm* — Gardner Groff &
Greenwald, PC

(57) **CLAIM**

The ornamental design for a booster seat, substantially as shown and described.

(56) **References Cited**

DESCRIPTION

U.S. PATENT DOCUMENTS

2,031,109 A 2/1936 Jacob
2,530,900 A 11/1950 Nelson, Jr.
2,531,080 A 11/1950 Peterson et al.
D169,271 S * 4/1953 McWaide D6/333
2,704,567 A 3/1955 Anderegg
2,710,643 A 6/1955 Hastie et al.
2,854,060 A 9/1958 Welsh
2,875,817 A 3/1959 Mckeown
3,017,220 A 1/1962 Chernivsky
3,288,502 A 11/1966 Romay
D231,875 S 6/1974 Miller
4,248,478 A 2/1981 Aron
4,322,110 A 3/1982 Simmons et al.
4,345,791 A 8/1982 Bryans et al.

FIG. 1 is a first perspective view of a booster seat according to the design.

FIG. 2 is a second perspective view of the booster seat of FIG. 1.

FIG. 3 is a front view of the booster seat of FIG. 1.

FIG. 4 is a back view of the booster seat of FIG. 1.

FIG. 5 is a first side view of the booster seat of FIG. 1.

FIG. 6 is a second side view of the booster seat of FIG. 1.

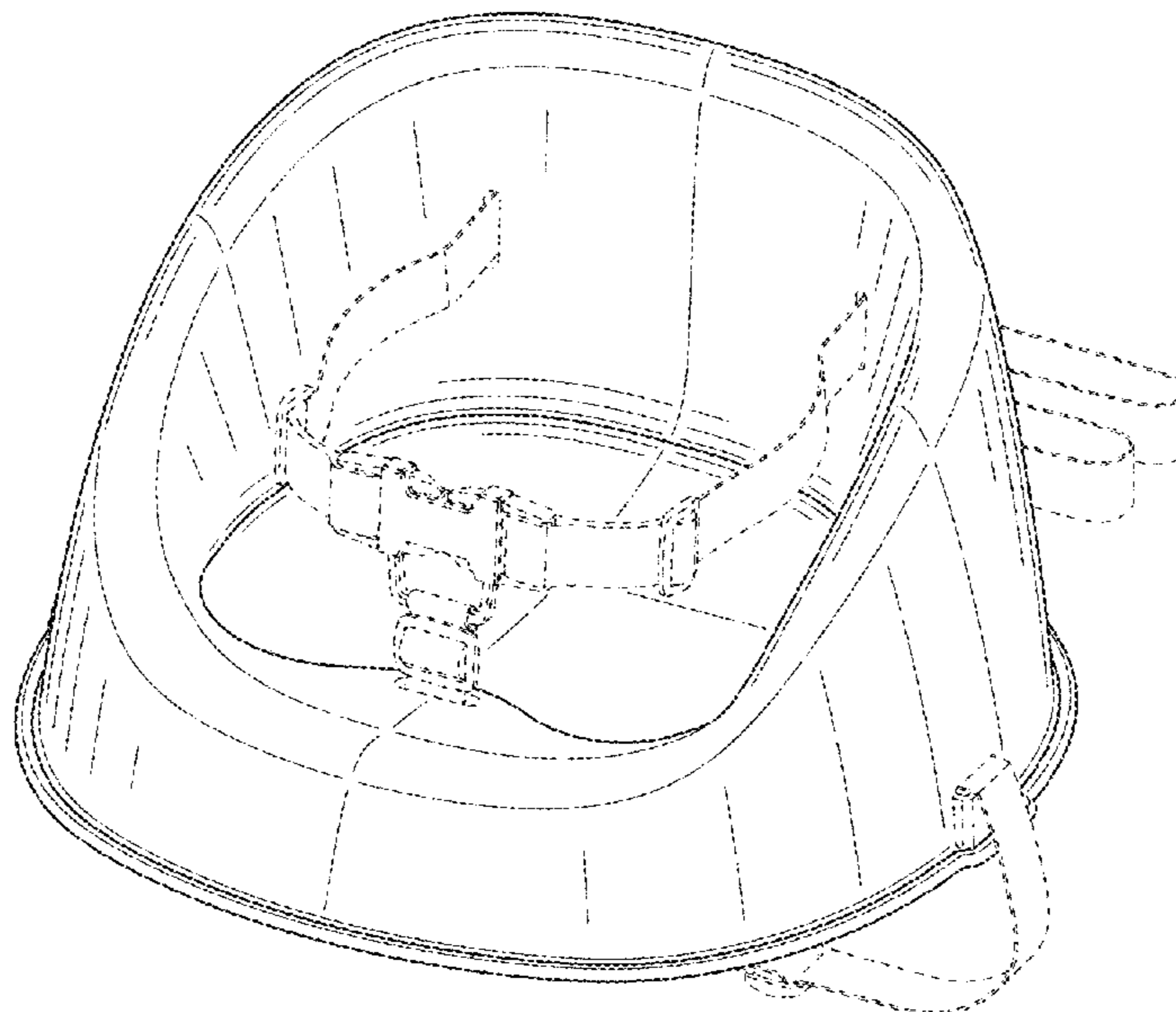
FIG. 7 is a top view of the booster seat of FIG. 1; and,

FIG. 8 is a bottom view of the booster seat of FIG. 1.

The broken line portion of the figure drawings is included to show portions of the article that form no part of the claimed design.

(Continued)

1 Claim, 5 Drawing Sheets



(56)

References Cited

U.S. PATENT DOCUMENTS

4,469,373 A 9/1984 Simmons et al.
 4,510,634 A 4/1985 Diedrich et al.
 4,521,052 A 6/1985 Cone
 4,553,786 A 11/1985 Lockett, III
 4,650,246 A 3/1987 Henriksson
 4,662,678 A 5/1987 Halpert
 4,700,988 A 10/1987 Meyers
 4,854,638 A 8/1989 Marcus et al.
 4,871,210 A 10/1989 Alexander et al.
 4,968,091 A 11/1990 Mariol
 D314,674 S 2/1991 Kohus
 D327,175 S 6/1992 Mariol
 5,183,311 A 2/1993 Meeker et al.
 5,269,587 A 12/1993 Cunningham
 5,269,591 A 12/1993 Miga, Jr. et al.
 5,275,464 A 1/1994 Eichhorn et al.
 5,308,143 A 5/1994 Nichols
 5,362,123 A 11/1994 Simmons
 5,383,711 A 1/1995 Houghteling
 5,385,385 A 1/1995 Silverman
 5,451,093 A 9/1995 Petrie et al.
 5,460,430 A 10/1995 Miga, Jr. et al.
 5,474,355 A 12/1995 Lerner et al.
 5,503,458 A 4/1996 Petrie
 D376,920 S 12/1996 Wood
 5,580,126 A 12/1996 Sedlack
 6,050,643 A 4/2000 Kain et al.
 6,079,772 A 6/2000 Green
 6,142,565 A 11/2000 Rieder
 6,318,804 B1 11/2001 Brown
 6,341,816 B1 1/2002 Chen et al.
 6,390,345 B1 5/2002 Brown et al.
 6,409,272 B1 6/2002 Martin et al.
 6,546,574 B1* 4/2003 Bader A47C 29/006
 297/184.13
 6,626,487 B1 9/2003 Buitendach
 6,676,213 B1 1/2004 Dlugos
 6,679,549 B2 1/2004 Catelli
 6,692,072 B2 2/2004 Nelson et al.
 6,763,539 B1 7/2004 Bartley et al.
 6,773,064 B2 8/2004 Treen et al.
 6,857,150 B2 2/2005 Matthews Brown et al.
 6,908,151 B2 6/2005 Meeker et al.
 7,032,969 B1 4/2006 Campbell
 7,032,970 B1 4/2006 Kharat
 7,059,677 B2 6/2006 Balensiefer et al.
 7,090,294 B2 8/2006 Balensiefer, II et al.
 7,127,760 B2 10/2006 Bartley et al.
 7,182,405 B1 2/2007 Blakeslee
 7,201,445 B1 4/2007 Dubiel et al.
 D550,971 S 9/2007 McConnell
 D553,865 S 10/2007 Buitendach
 7,300,103 B1 11/2007 Grays
 7,374,241 B2 5/2008 Gold et al.
 7,387,337 B2 6/2008 Keegan et al.
 D573,800 S* 7/2008 Backstrom D6/333
 7,404,222 B2 7/2008 Tidwell
 D575,534 S* 8/2008 Jane Santamaria D6/333
 7,422,276 B2 9/2008 Flannery
 D592,865 S 5/2009 Yeung
 7,540,560 B1 6/2009 Connery
 7,591,506 B2 9/2009 Flannery
 7,673,934 B2 3/2010 Bearup et al.
 D622,515 S 8/2010 Nadeau et al.
 7,806,475 B2 10/2010 Coady
 7,845,719 B2 12/2010 Flannery
 D646,066 S 10/2011 Debevec et al.
 8,038,207 B2 10/2011 Flannery
 D652,221 S* 1/2012 Lee D6/333
 8,091,965 B2 1/2012 Flannery et al.
 D656,749 S 4/2012 Bergkvist
 D658,394 S 5/2012 Debevec et al.
 D660,606 S 5/2012 Dai
 D660,607 S 5/2012 Dai
 8,182,034 B2 5/2012 Glance

8,267,473 B2 9/2012 Flannery et al.
 8,308,229 B2 11/2012 Galley
 D675,034 S 1/2013 Beda et al.
 D687,638 S 8/2013 Beda et al.
 D695,030 S 12/2013 Buitendach
 8,595,872 B2 12/2013 Tidwell
 8,646,838 B2 2/2014 Fiore, Jr. et al.
 D700,786 S 3/2014 Yeung
 8,727,448 B1 5/2014 Pagano
 8,763,183 B2 7/2014 Tidwell
 8,764,109 B2 7/2014 Kummerfeld et al.
 8,950,029 B2 2/2015 Tidwell
 8,950,808 B2 2/2015 Kummerfeld et al.
 8,960,793 B2 2/2015 Gillett et al.
 D727,645 S 4/2015 Zink et al.
 9,095,228 B2 8/2015 Gooris
 D738,120 S 9/2015 Connelly et al.
 9,339,118 B2 5/2016 Gubitosi et al.
 9,572,435 B2 2/2017 Hondros et al.
 D781,059 S 3/2017 Christopherson et al.
 9,603,464 B2 3/2017 Sclare et al.
 9,635,955 B2 5/2017 Greger
 D790,236 S 6/2017 Desnos
 9,877,594 B2 1/2018 Babikian
 9,883,749 B2 2/2018 Kostyniak et al.
 9,974,396 B2 5/2018 Sozzo et al.
 10,098,476 B2 10/2018 Winterhalter et al.
 10,172,476 B2 1/2019 Bellows et al.
 D850,804 S 6/2019 Andersson et al.
 10,314,409 B2 6/2019 Yu
 10,327,565 B2 6/2019 Sozzo et al.
 10,413,086 B2 9/2019 Waldman et al.
 10,492,621 B2 12/2019 Ingraham et al.
 10,562,419 B2 2/2020 Genoway et al.
 D914,377 S* 3/2021 Xu D6/333
 D924,380 S* 7/2021 Stroikov D23/304
 2002/0074835 A1 6/2002 Chalender
 2002/0145318 A1 10/2002 Asbach et al.
 2003/0102702 A1 6/2003 Daley et al.
 2007/0170759 A1 7/2007 Nolan et al.
 2007/0236061 A1 10/2007 Meeker et al.
 2008/0054696 A1 3/2008 McConnell et al.
 2008/0122270 A1 5/2008 Dubiel et al.
 2008/0217983 A1 9/2008 Cheng
 2009/0007335 A1 1/2009 Tidwell
 2010/0060052 A1 3/2010 Hutchinson et al.
 2010/0117416 A1 5/2010 Cheng
 2010/0207435 A1 8/2010 Vered
 2010/0244503 A1 9/2010 Fiore, Jr. et al.
 2011/0074187 A1 3/2011 Zhong
 2012/0068507 A1 3/2012 Debevec et al.
 2012/0292965 A1 11/2012 Sedlack
 2013/0285421 A1 10/2013 Huntsberger et al.
 2014/0021756 A1 1/2014 Gudel Kemm et al.
 2014/0265461 A1* 9/2014 Michelson A47D 1/103
 297/135
 2014/0265487 A1 9/2014 Michelson
 2014/0368004 A1 12/2014 Sclare et al.
 2014/0368006 A1 12/2014 Taylor et al.
 2015/0289658 A1 10/2015 Wallace-Simpson
 2015/0351558 A1 12/2015 Visser
 2016/0174727 A1 6/2016 Haut et al.
 2017/0119172 A1 5/2017 Sclare et al.
 2017/0282758 A1 10/2017 Mitchell
 2018/0361888 A1 12/2018 Campbell et al.
 2019/0059609 A9 2/2019 Sclare et al.
 2019/0116988 A1 4/2019 Roberts et al.
 2019/0231087 A1 8/2019 Dziak et al.
 2019/0246810 A1 8/2019 Yu
 2019/0365103 A1 12/2019 Hong
 2020/0008587 A1 1/2020 Webb
 2020/0046140 A1 2/2020 Pankratz

FOREIGN PATENT DOCUMENTS

GB 2495965 A 5/2013
 GB 2512426 A 10/2014
 GB 2559264 A 8/2018

(56)

References Cited

FOREIGN PATENT DOCUMENTS

GB	2571662 A	9/2019
TW	201121466 A	7/2011
TW	201121467 A	7/2011

OTHER PUBLICATIONS

Oxo Tot Nest Booster Seat with Straps, available in Amazon.ca, date first available Nov. 23, 2015 [online], Retrieved Nov. 30, 2021 from URL: <https://www.amazon.ca/Oxo-Tot-Booster-Straps-Taupe/dp/B00YGHFF94/> (Year: 2015).*

* cited by examiner

FIG. 1

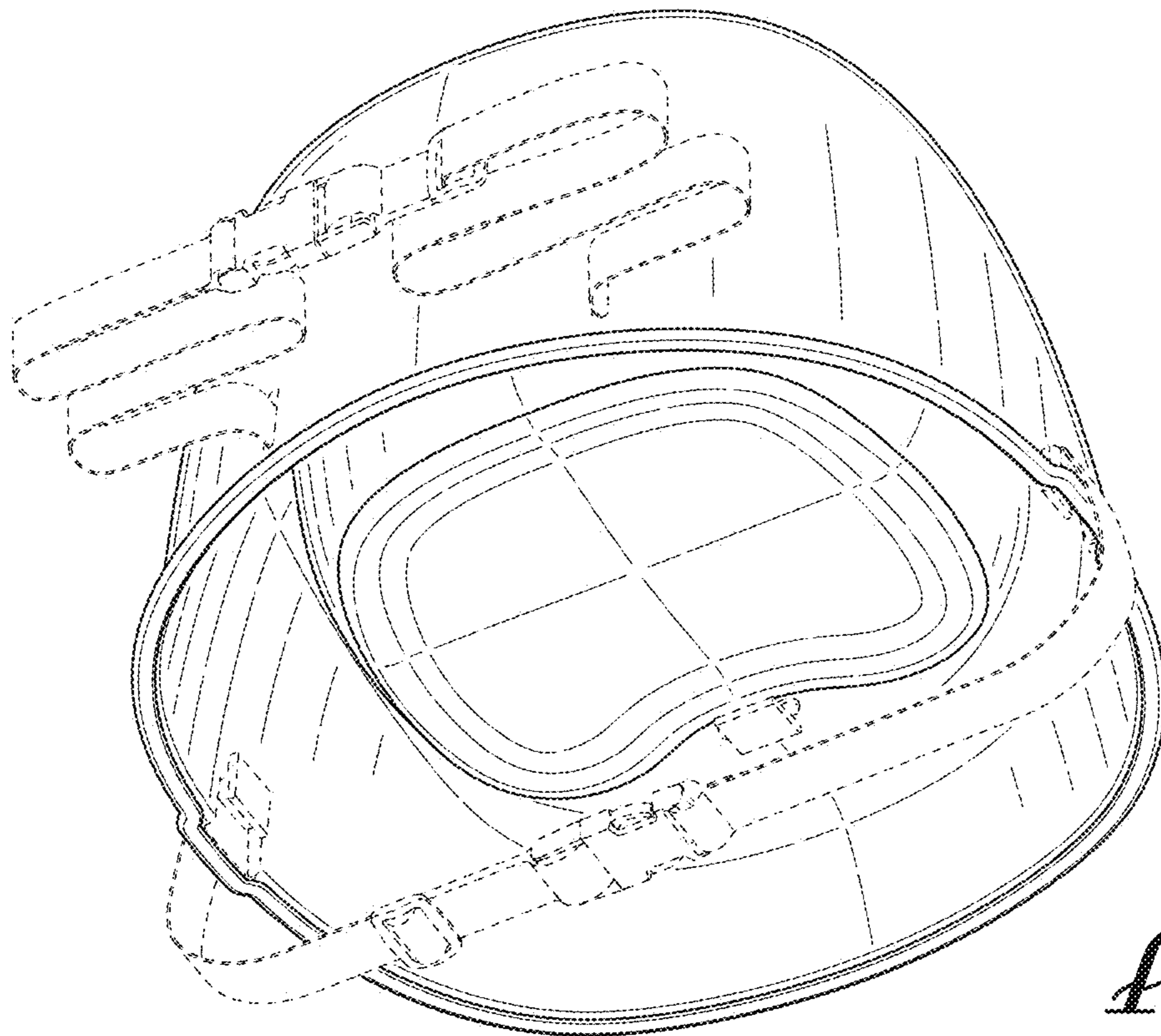
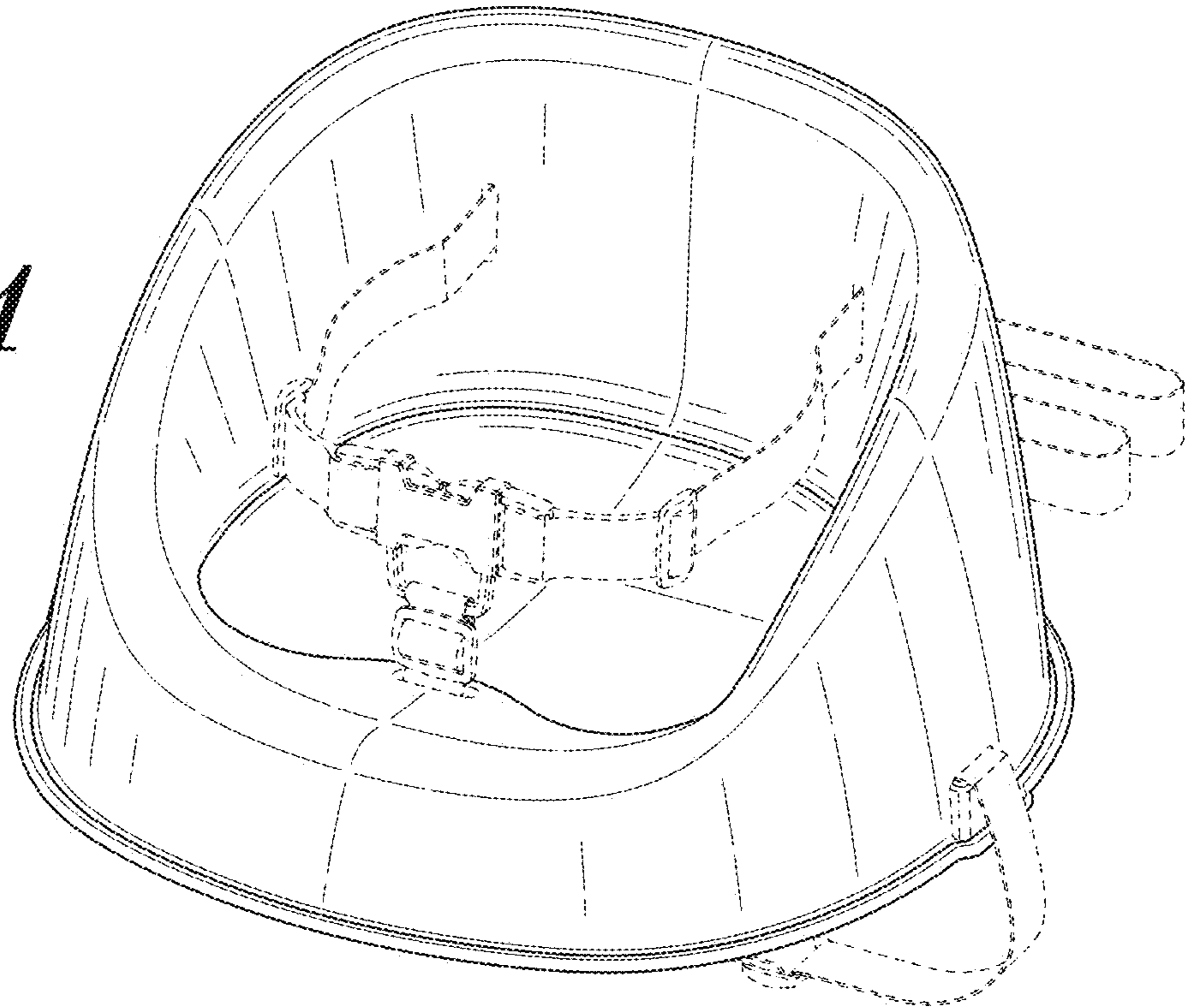


FIG. 2

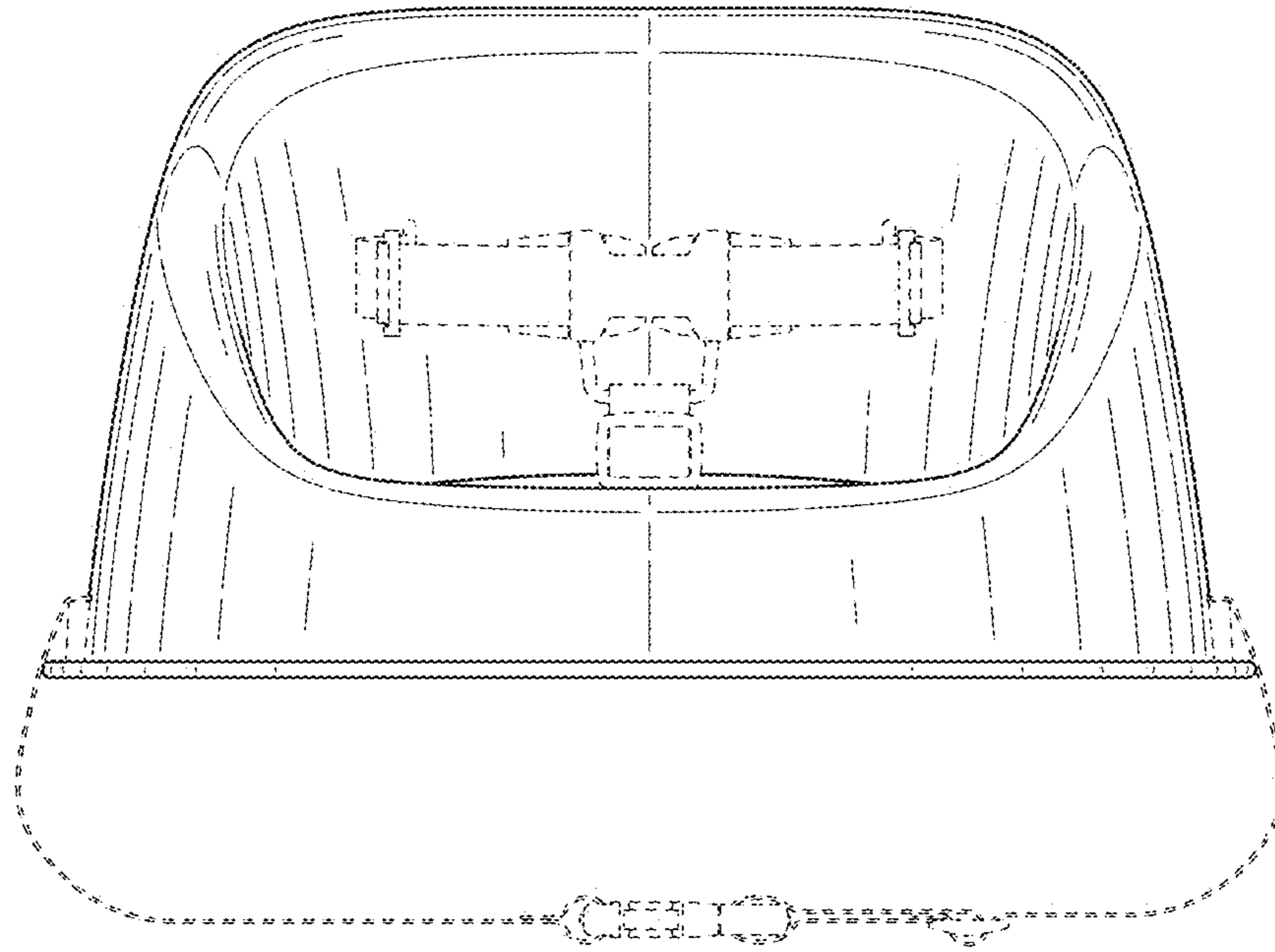


FIG. 3

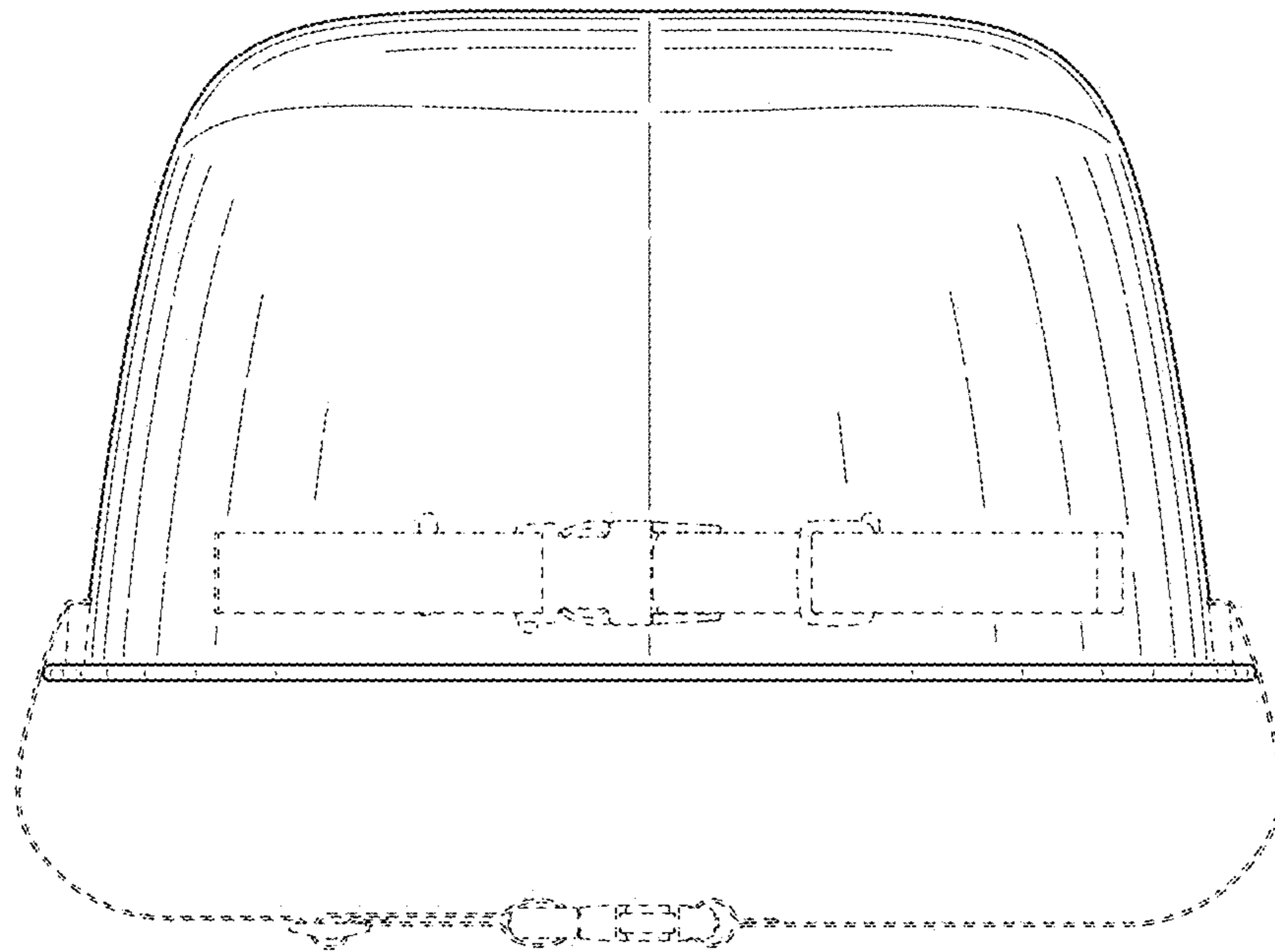


FIG. 4

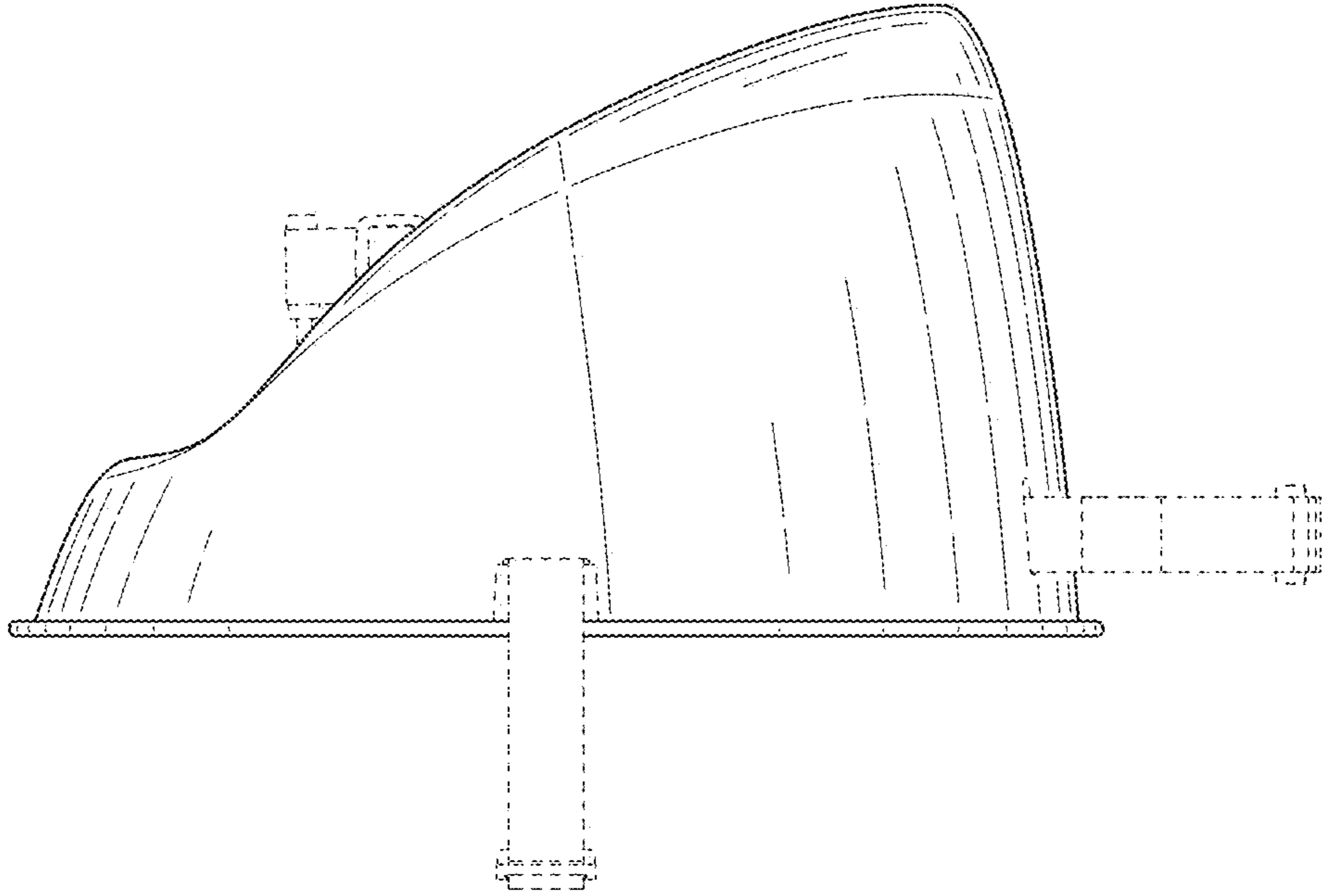


FIG. 5

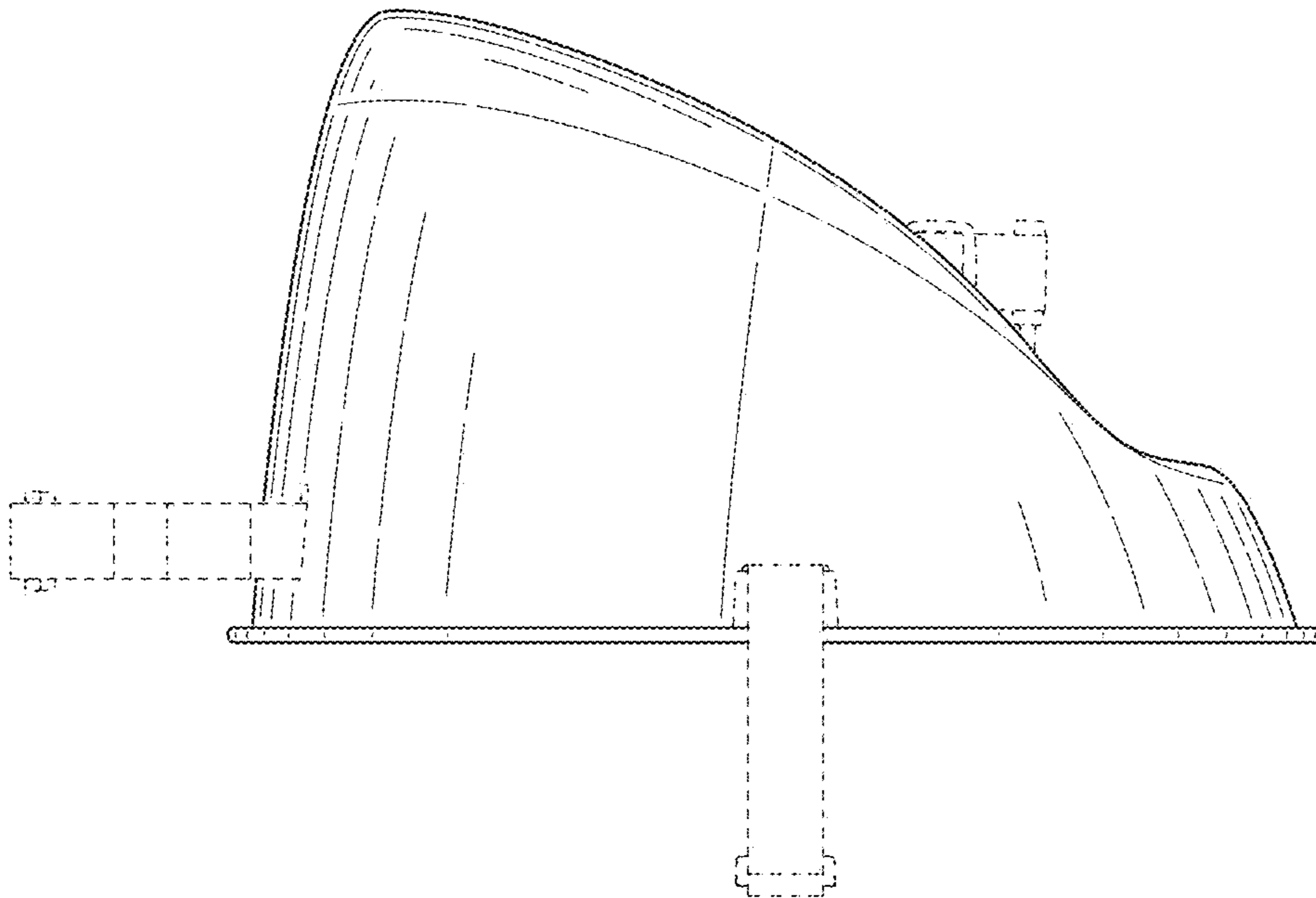


FIG. 6

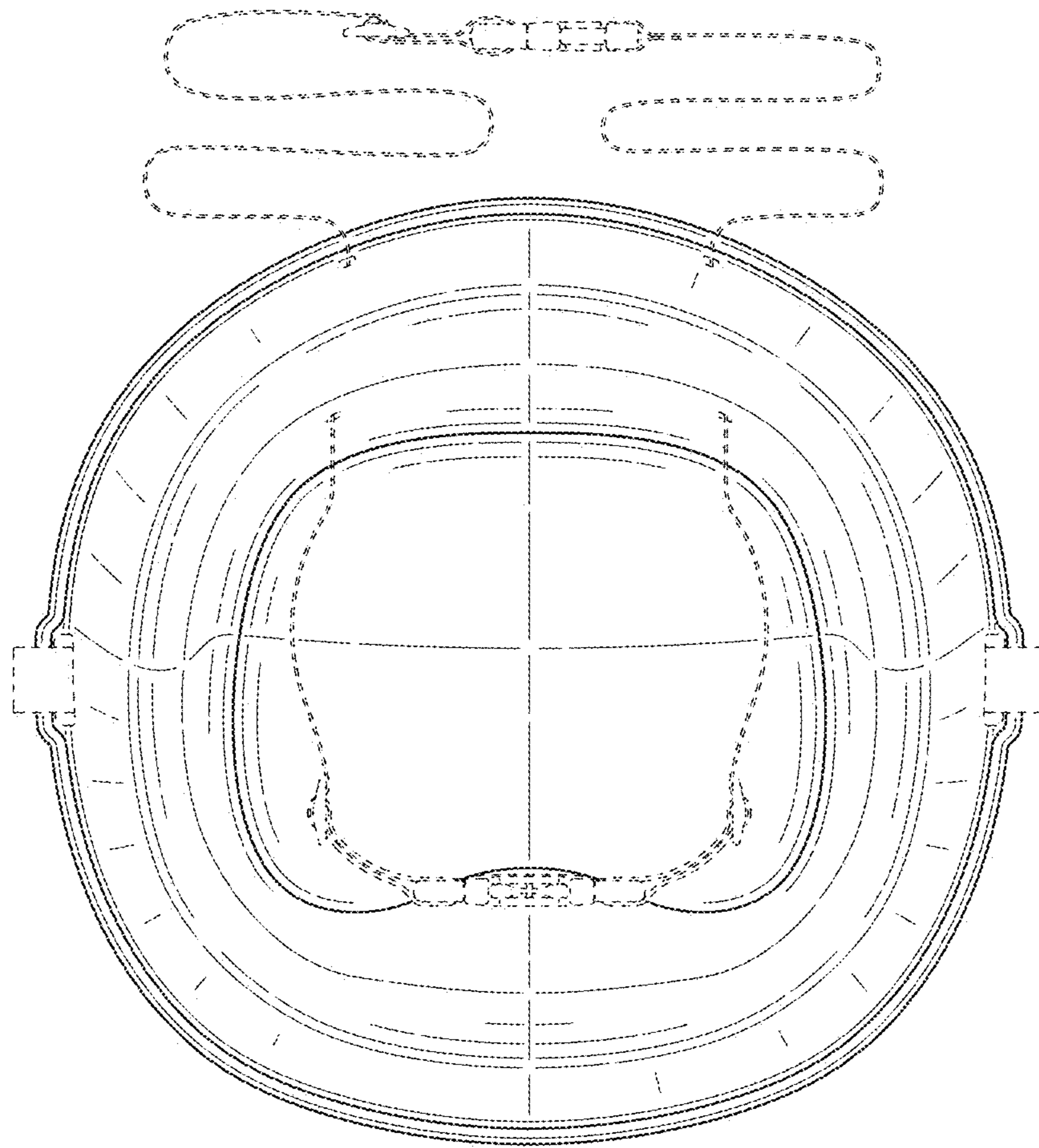


FIG. 7

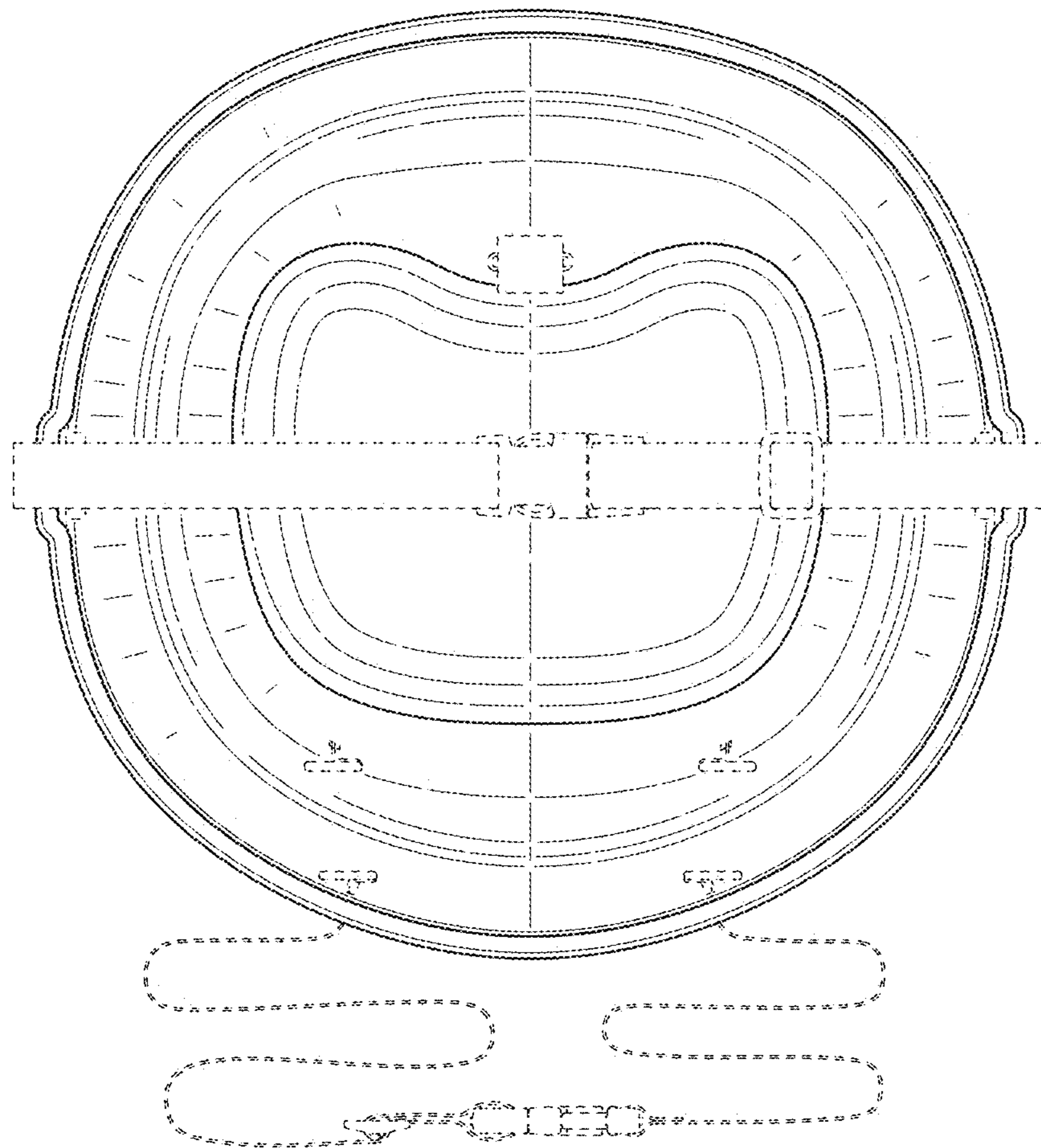


FIG. 8