



US00D961945S

(12) **United States Design Patent** (10) **Patent No.:** **US D961,945 S**
Magro (45) **Date of Patent:** **** Aug. 30, 2022**

(54) **PARTITION PANEL FOR OFFICE CUBICLE**

DESCRIPTION

(71) Applicant: **ALPINE OVERHEAD DOORS, INC.**, East Setauket, NY (US)
(72) Inventor: **Michael Magro**, Stony Brook, NY (US)
(73) Assignee: **ALPINE OVERHEAD DOORS, INC.**, East Setauket, NY (US)
(**) Term: **15 Years**
(21) Appl. No.: **29/756,295**
(22) Filed: **Oct. 27, 2020**
(51) **LOC (13) Cl.** **06-06**
(52) **U.S. Cl.**
USPC **D6/332**
(58) **Field of Classification Search**
USPC D6/643, 714, 332
CPC E04B 2002/7483; E04B 2002/7498; E04B 2/76; E04B 2/7401; E04B 2/74; E04B 2/7845; A47B 2200/12; A47B 17/00; E04C 2/54; E04C 2/38; E04C 2/30
See application file for complete search history.

FIG. 1 is a top, front, right side perspective view of a first embodiment of a partition panel for office cubicle in accordance with my design;
FIG. 2 is a front elevational view thereof;
FIG. 3 is a rear elevational view thereof;
FIG. 4 is a left side elevational view thereof;
FIG. 5 is a right side elevational view thereof;
FIG. 6 is a top plan view thereof;
FIG. 7 is a bottom plan view thereof;
FIG. 8 is an enlarged partial cross-sectional view of the partition panel for office cubicle shown in FIG. 2 taken along line 8-8;
FIG. 9 is similar to FIG. 1 and shows in broken lines one possible environment for the partition panel for office cubicle when integrated with another panel;
FIG. 10 is a top, front, right side perspective view of a second embodiment of a partition panel for office cubicle in accordance with my design;
FIG. 11 is a front elevational view thereof;
FIG. 12 is a rear elevational view thereof;
FIG. 13 is a left side elevational view thereof;
FIG. 14 is a right side elevational view thereof;
FIG. 15 is a top plan view thereof;
FIG. 16 is a bottom plan view thereof;
FIG. 17 is an enlarged partial cross-sectional view of the partition panel for office cubicle shown in FIG. 11 taken along line 17-17; and,
FIG. 18 is similar to FIG. 10 and shows in broken lines one possible environment for the partition panel for office cubicle when integrated with another panel.
The broken lines illustrate portions of the partition panel for office cubicle that form no part of the claimed design.
The dash-dot-dash lines shown in FIGS. 9 and 18 show possible environments for both embodiments of the partition panel for office cubicle and form no part of the claimed design.

(56) **References Cited**

U.S. PATENT DOCUMENTS

D382,122 S * 8/1997 Thorp D6/332
6,012,258 A * 1/2000 Brown E04B 2/7424
52/239
D422,796 S * 4/2000 Milligan D6/332
8,359,809 B1 * 1/2013 Erickson A47B 17/00
52/36.5

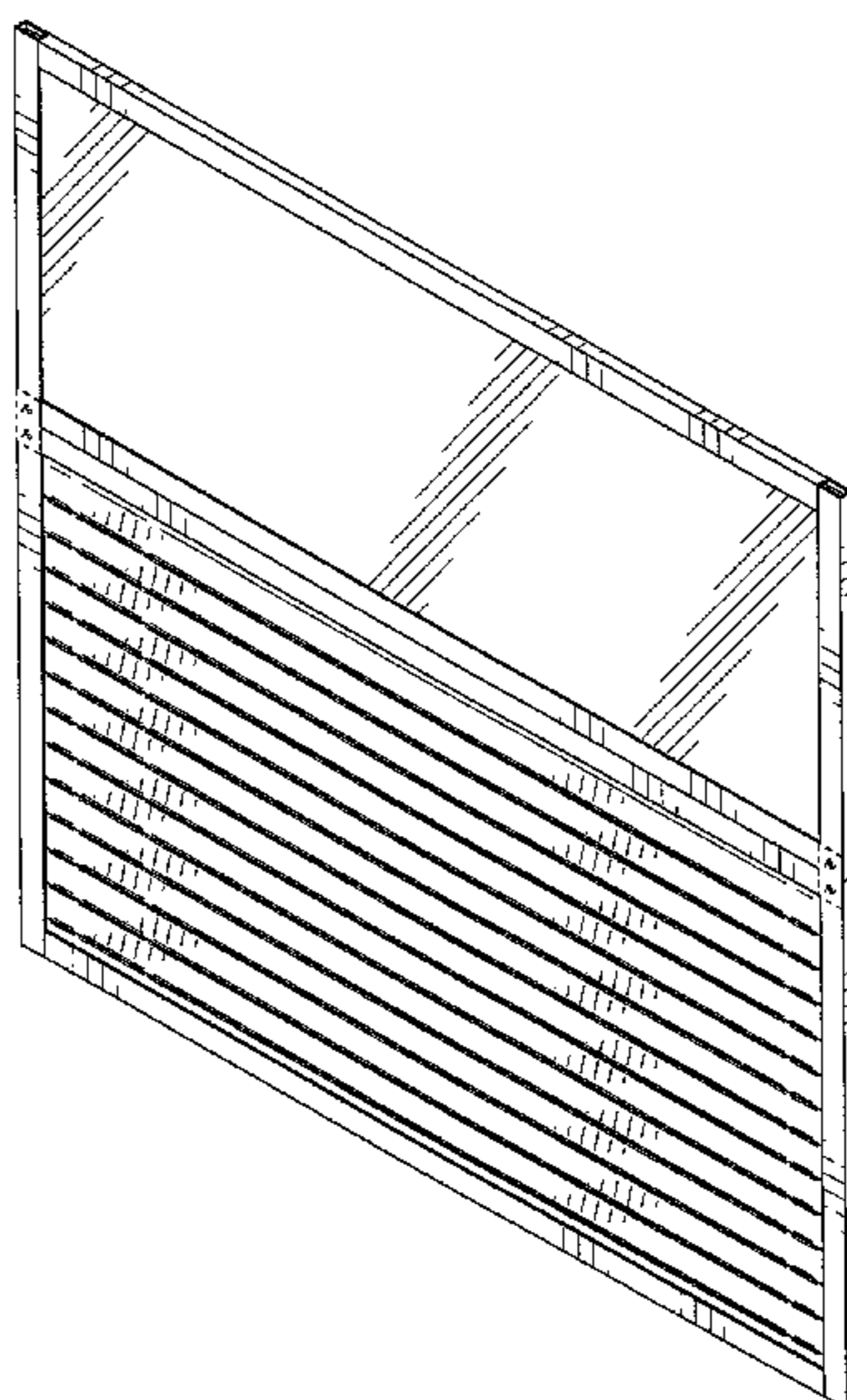
(Continued)

Primary Examiner — Doris Clark
(74) *Attorney, Agent, or Firm* — Nolte Lackenbach Siegel; Myron Greenspan

(57) **CLAIM**

The ornamental design for the partition panel for office cubicle, as shown and described.

1 Claim, 14 Drawing Sheets



(56)

References Cited

U.S. PATENT DOCUMENTS

2014/0115985 A1* 5/2014 Hayashi E04B 2/7429
52/234
2016/0348358 A1* 12/2016 Udagawa E04B 2/7405

* cited by examiner

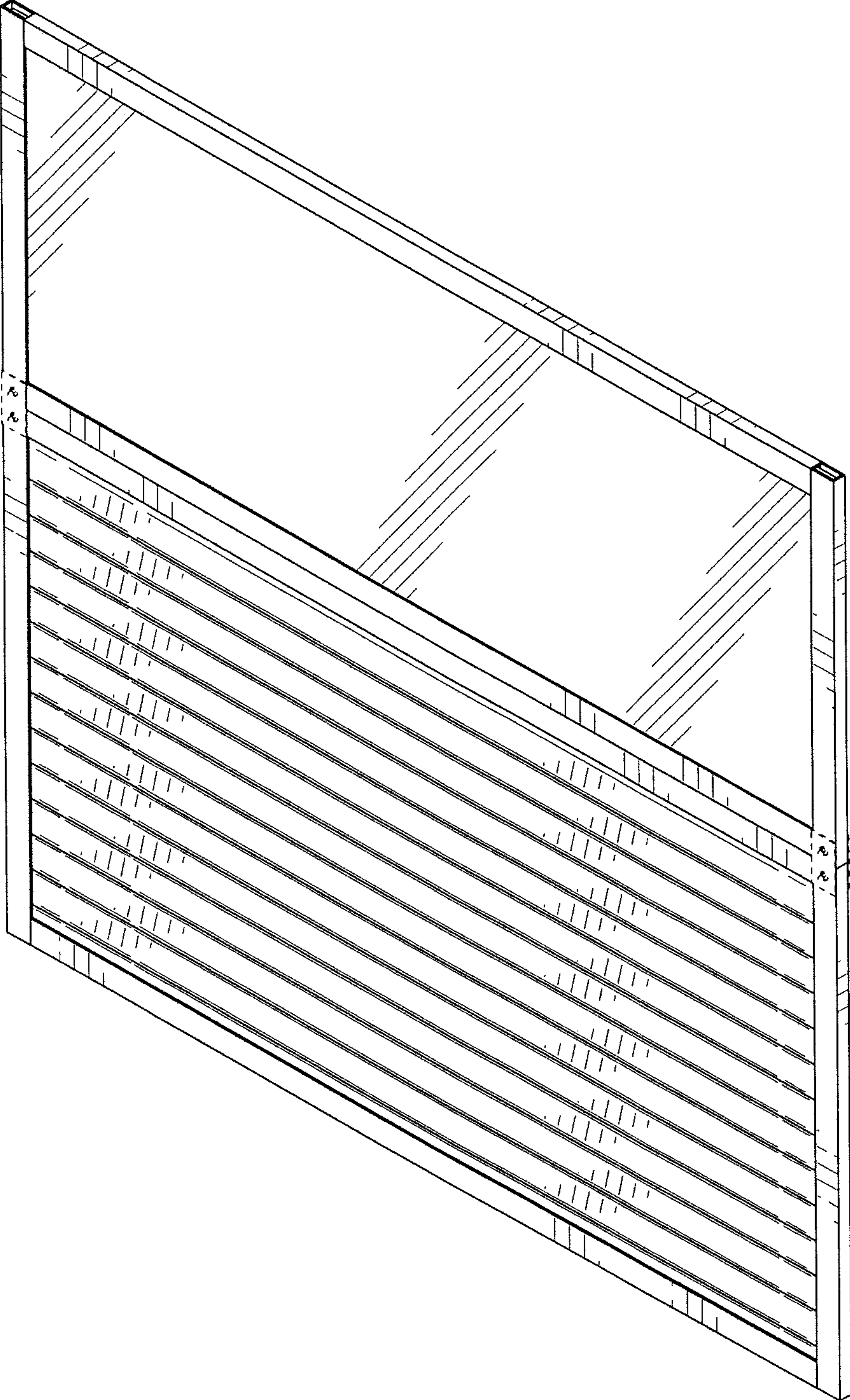


FIG. 1

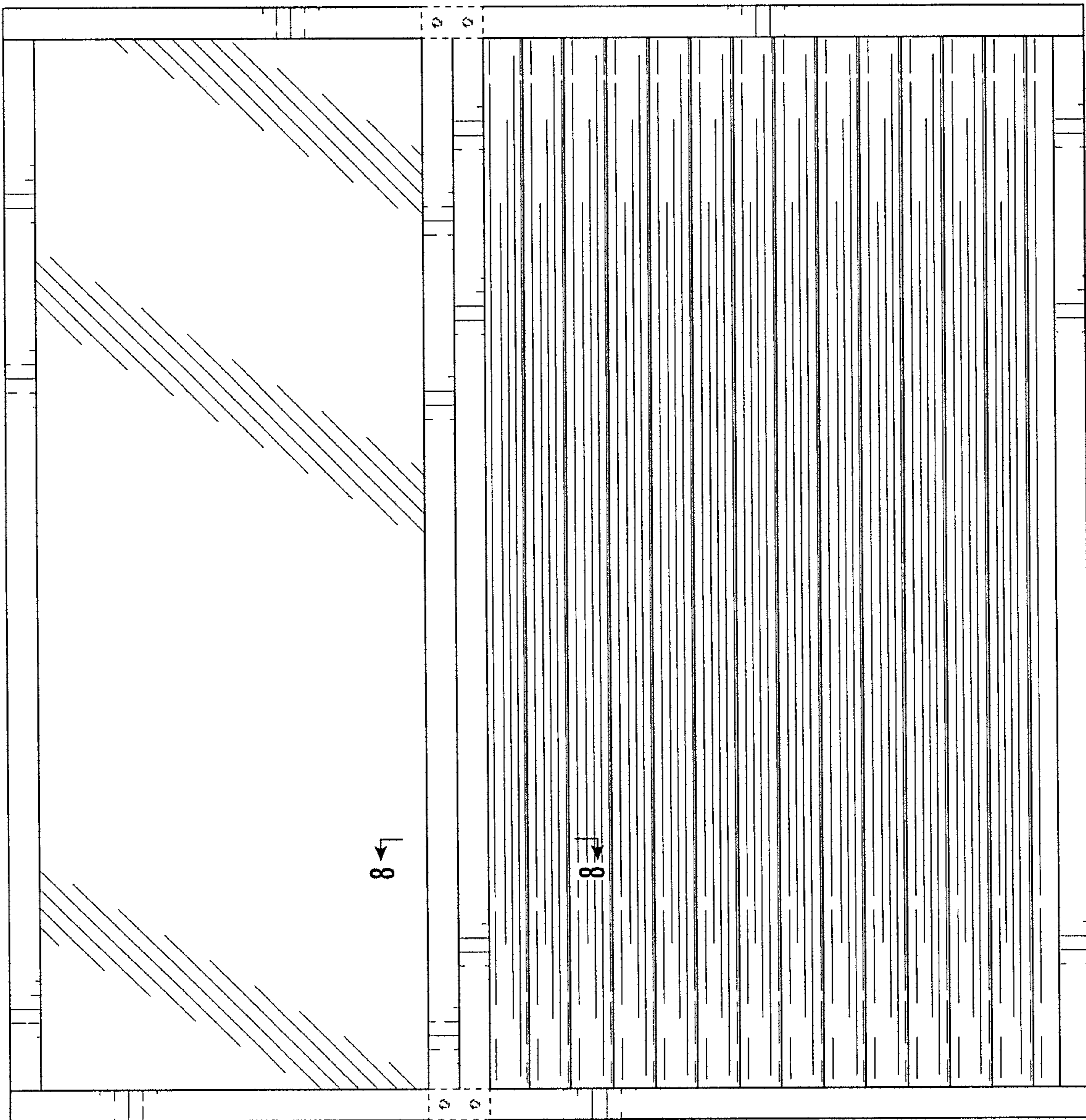


FIG. 2

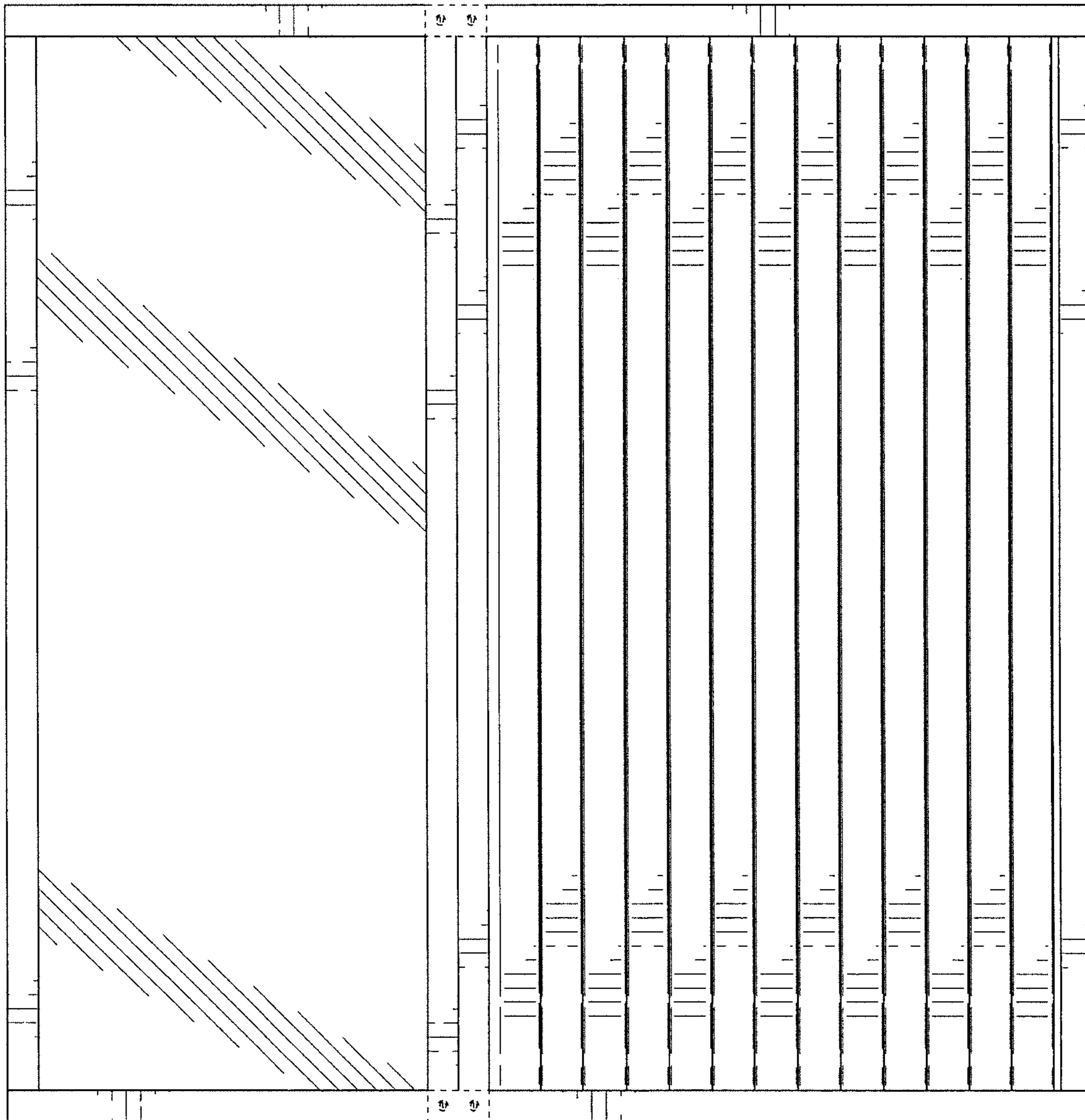


FIG. 3

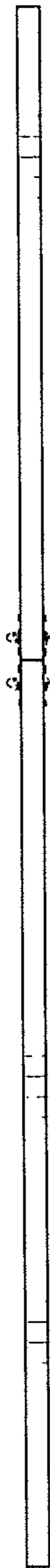


FIG. 4

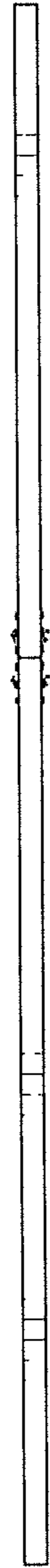


FIG. 5

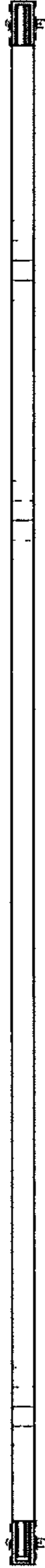


FIG. 6



FIG. 7

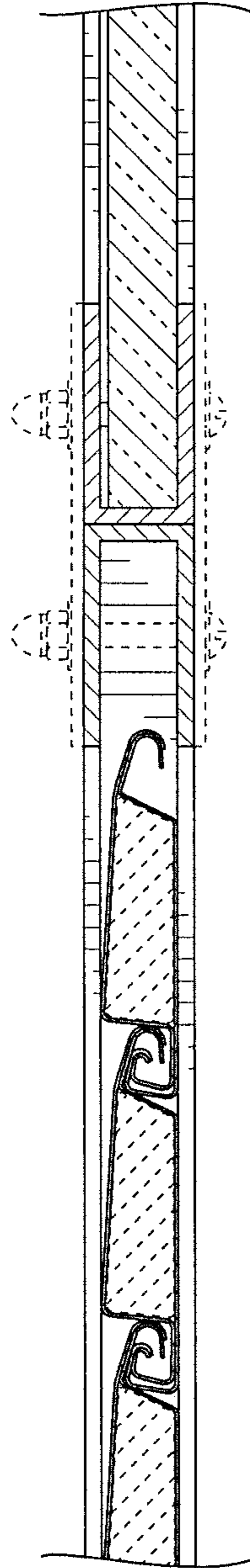


FIG. 8

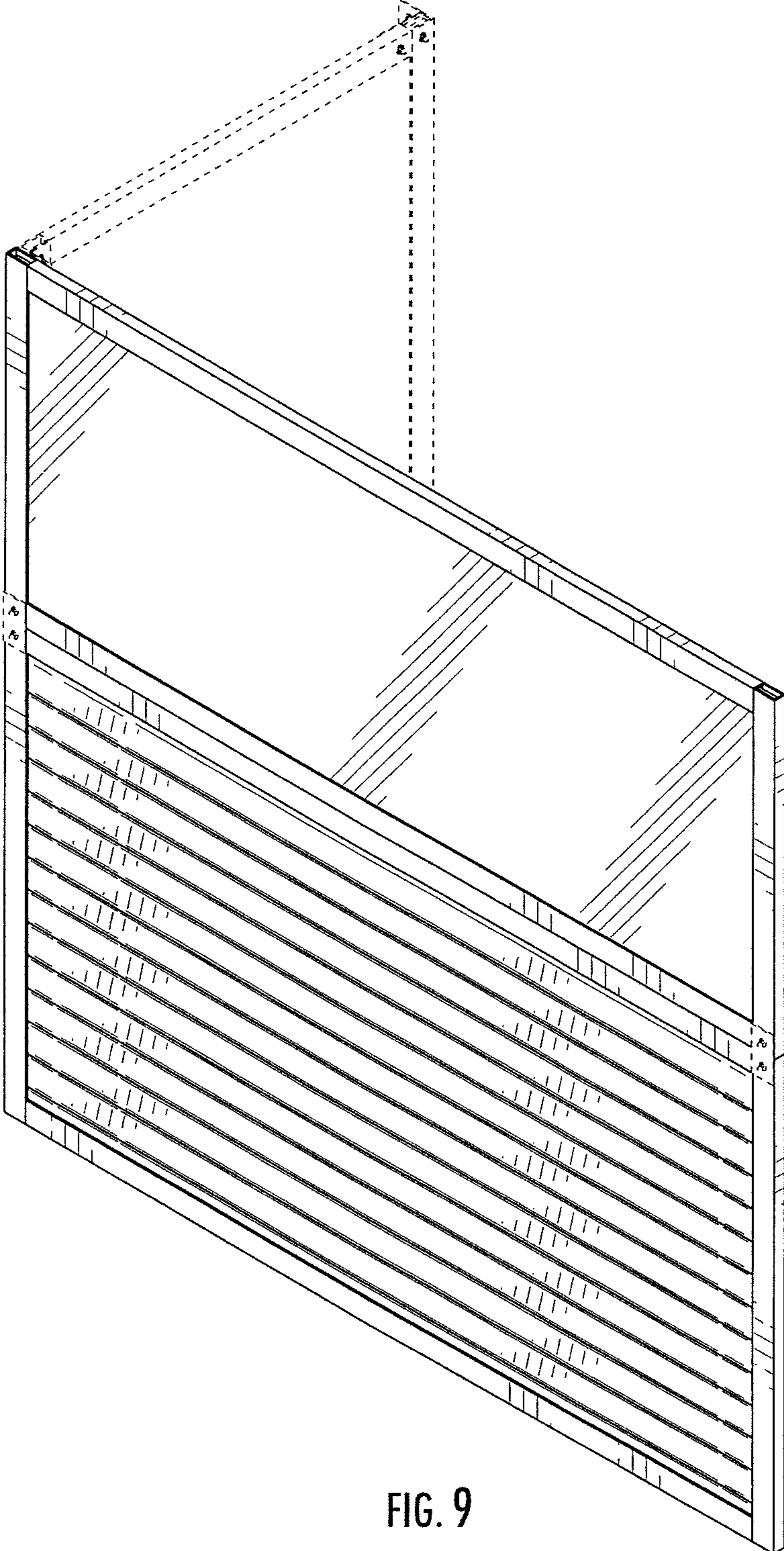


FIG. 9

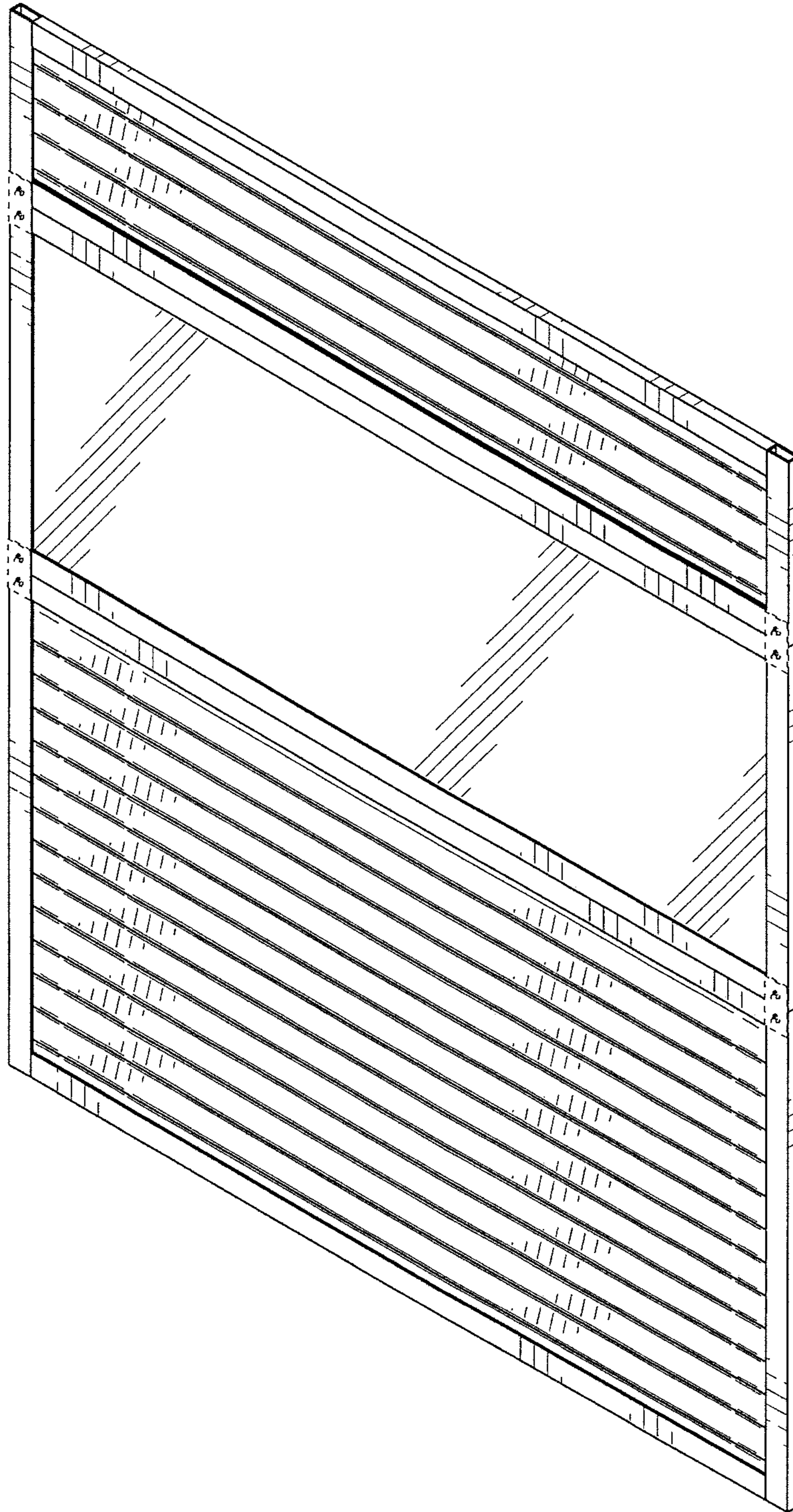


FIG. 10

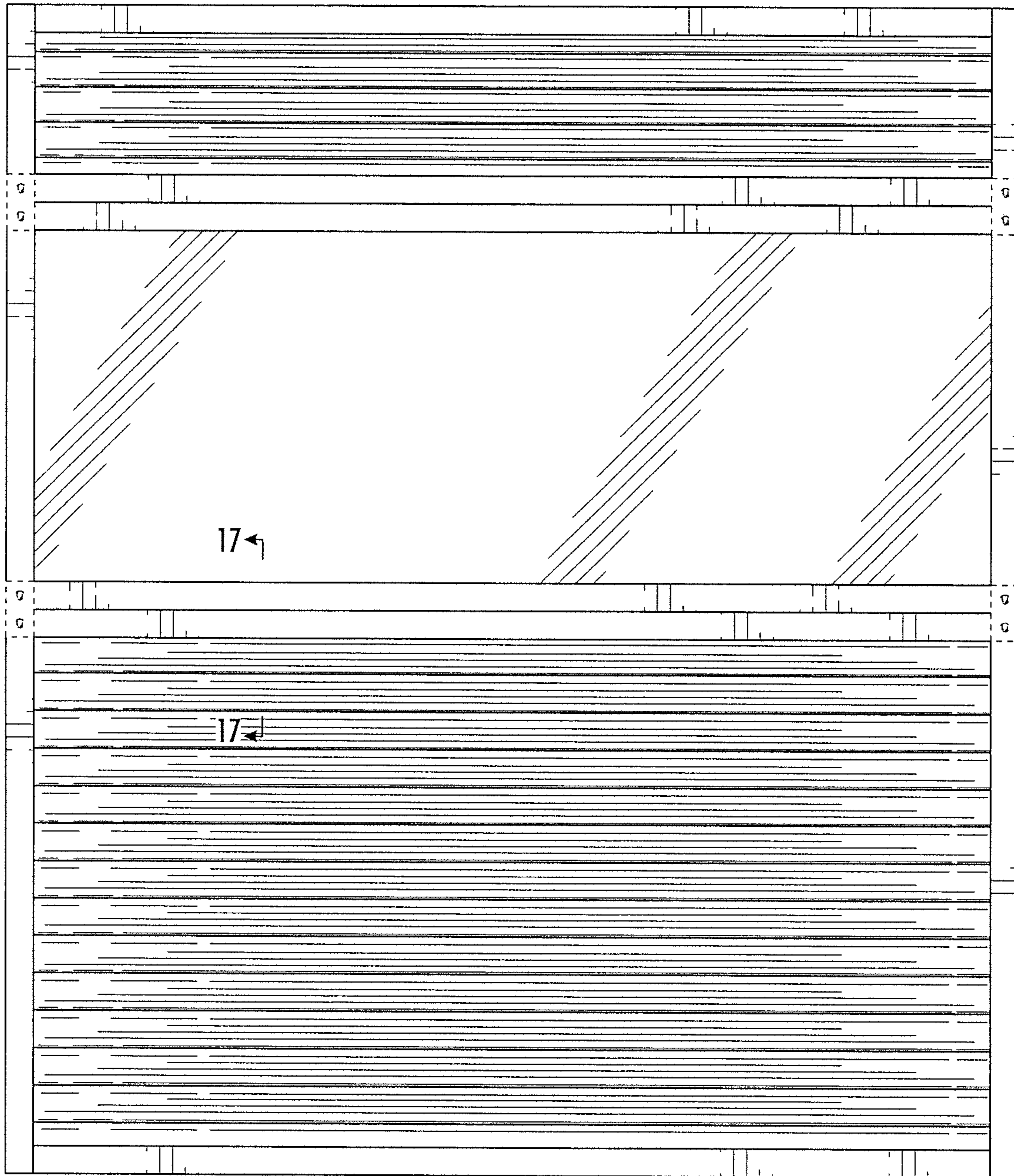


FIG. 11

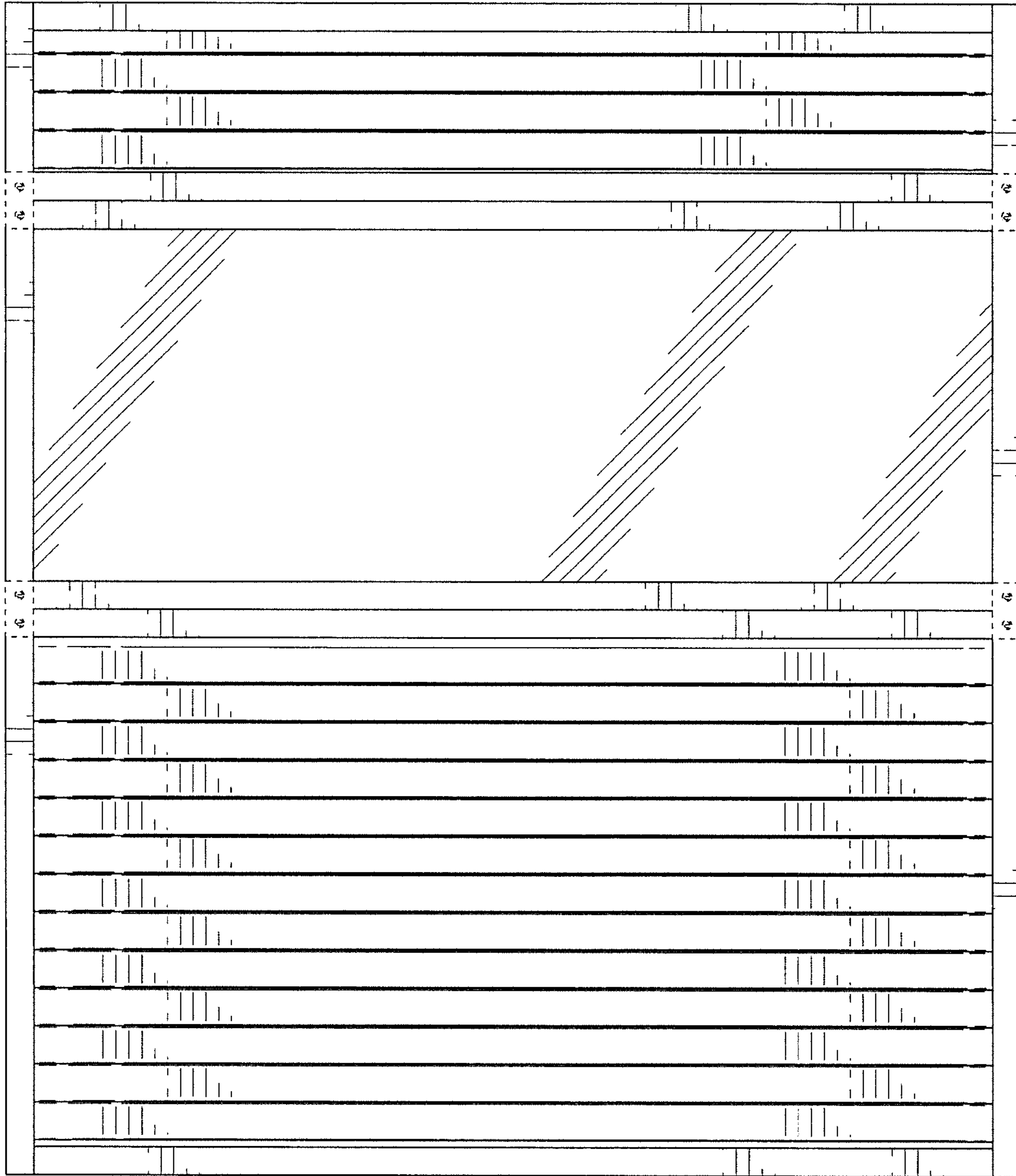


FIG. 12

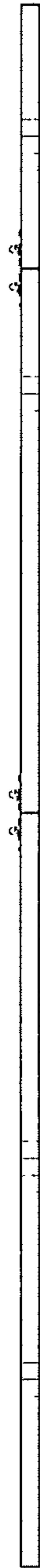


FIG. 13



FIG. 14

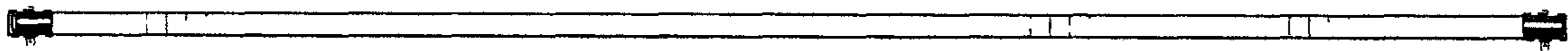


FIG. 15

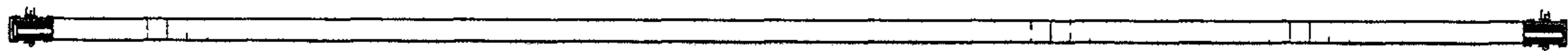


FIG. 16

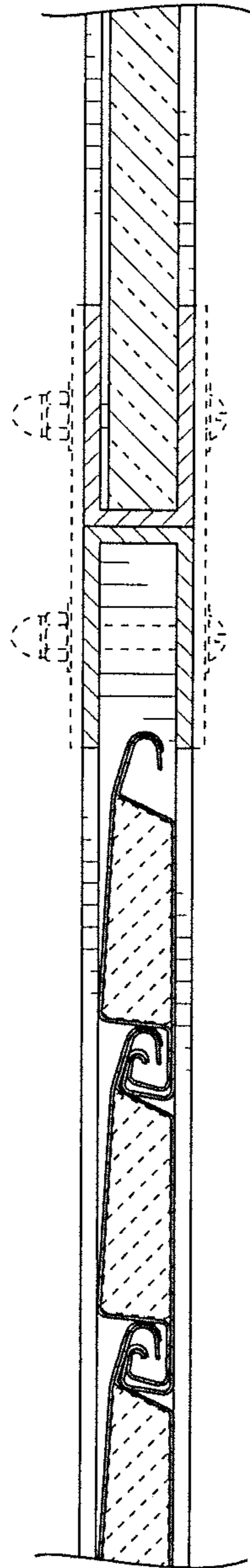


FIG. 17

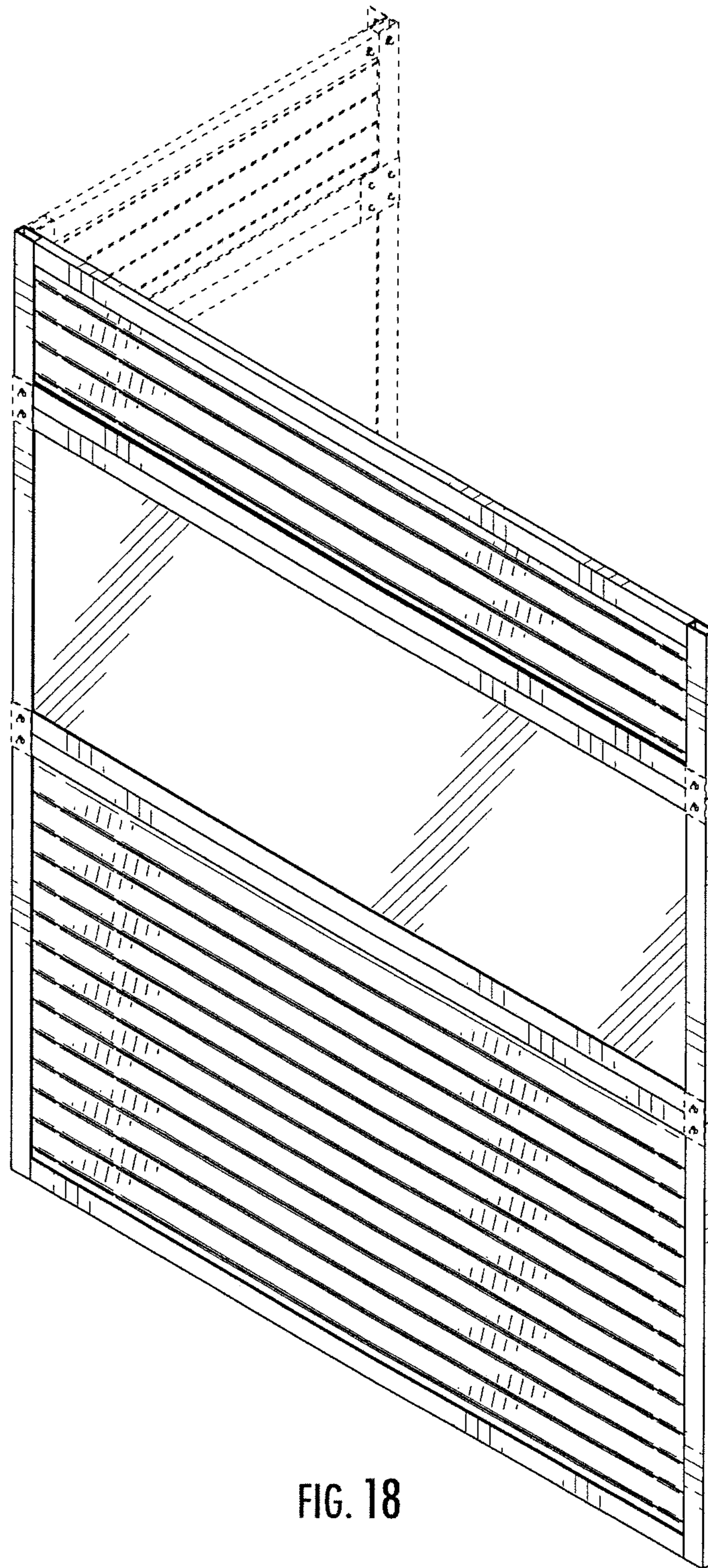


FIG. 18