



US00D961944S

(12) **United States Design Patent** (10) **Patent No.:** **US D961,944 S**  
**Shen** (45) **Date of Patent:** **\*\* Aug. 30, 2022**

(54) **MAKE UP MIRROR**

FOREIGN PATENT DOCUMENTS

(71) Applicant: **Xiaoping Shen**, Guangzhou (CN)

CN 307086701 \* 1/2022  
CN 307091869 \* 2/2022

(72) Inventor: **Xiaoping Shen**, Guangzhou (CN)

OTHER PUBLICATIONS

(\*\*) Term: **15 Years**

(21) Appl. No.: **29/802,084**

(22) Filed: **Aug. 3, 2021**

(51) **LOC (13) Cl.** ..... **06-07**

(52) **U.S. Cl.**  
USPC ..... **D6/310**

(58) **Field of Classification Search**  
USPC ..... D6/300, 301, 302, 303, 304, 307, 308,  
D6/309, 310, 311, 312, 313, 314;  
D28/64.1-64.7

CPC ..... A45D 42/00; A45D 42/10; A45D 42/16;  
A45D 42/20; A45D 42/24; A47G 1/00;  
A47G 1/02; A47G 1/04; A47G 1/0622;  
B60J 3/0282

See application file for complete search history.

Bobening Vanity Mirror with LED Light [online], [site visited Apr. 18, 2022]. Available from internet, URL: <https://www.amazon.com/Bobening-Magnification-Trifold-Charging-11-8%C3%9716-1/dp/B09DSJRS8H/?th=1> (Year: 2021).\*

Hansong Trifold Vanity Mirror with Lights [online], [site visited Apr. 18, 2022]. Available from internet, URL: <https://www.amazon.com/dp/B09J8BJQ4M/> (Year: 2021).\*

\* cited by examiner

*Primary Examiner* — Cynthia Ramirez  
*Assistant Examiner* — Xavier Marti-Santos

(56) **References Cited**

U.S. PATENT DOCUMENTS

D833,762 S	*	11/2018	Liu	.....	D6/310
D853,736 S		7/2019	Long		
D859,011 S	*	9/2019	Liu	.....	D6/310
D865,374 S	*	11/2019	Yang	.....	D6/310
D874,836 S	*	2/2020	Li	.....	D6/312
D879,480 S		3/2020	Yang		
D882,279 S	*	4/2020	Zhu	.....	D6/310
D882,965 S	*	5/2020	Liu	.....	D6/310
D886,469 S	*	6/2020	Liu	.....	D6/310
D895,986 S	*	9/2020	Yang	.....	D6/312
D897,697 S	*	10/2020	Liu	.....	D6/310
D905,440 S	*	12/2020	Yang	.....	D6/310
D905,444 S	*	12/2020	Yang	.....	D6/310
D907,375 S		1/2021	Liang		
D927,862 S	*	8/2021	Yang	.....	D6/310
D935,792 S	*	11/2021	Li	.....	D6/310

DESCRIPTION

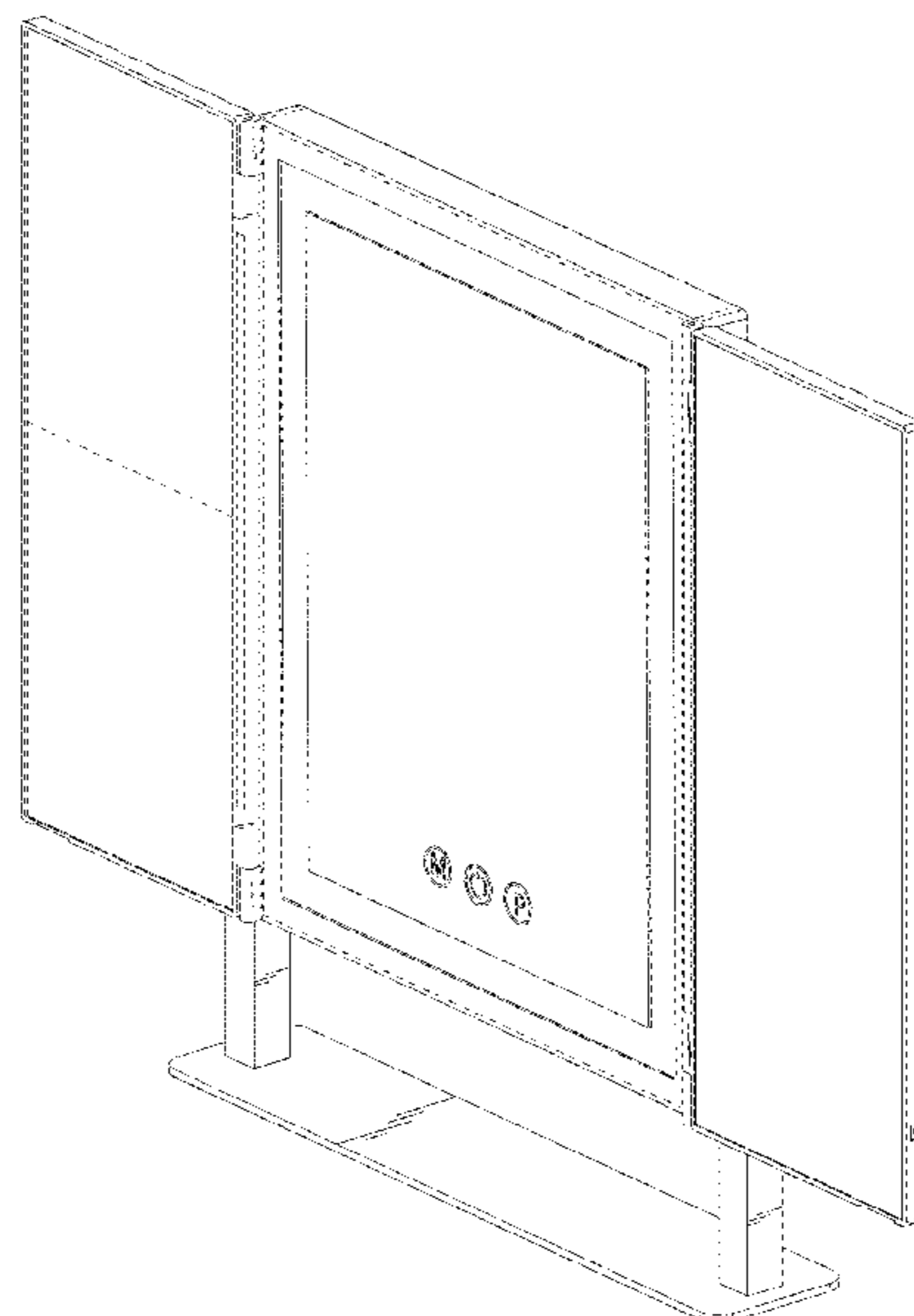
(57) **CLAIM**

The ornamental design for a make up mirror, as shown and described.

FIG. 1 is a perspective view of a make up mirror showing my new design;  
FIG. 2 is a top view thereof;  
FIG. 3 is a left side view thereof;  
FIG. 4 is a front view thereof;  
FIG. 5 is a right side view thereof;  
FIG. 6 is a back view thereof; and,  
FIG. 7 is a bottom view thereof.

The broken lines shown in the drawings depict portions of the make up mirror in which the design is embodied that form no part of the claimed design.

**1 Claim, 7 Drawing Sheets**



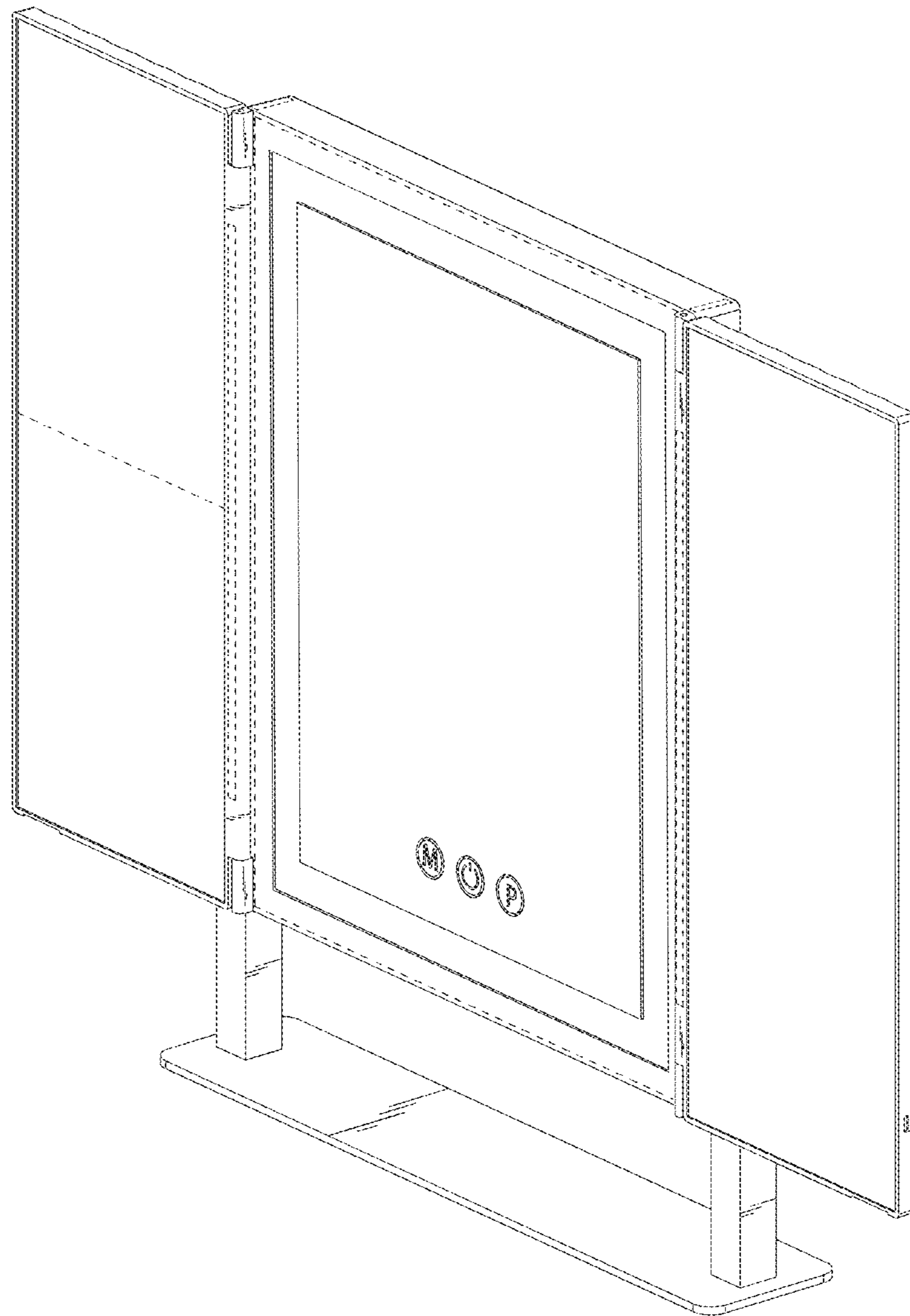


FIG.1

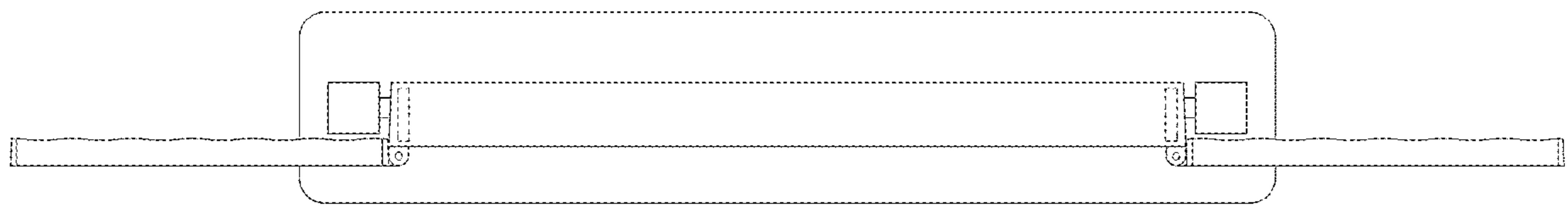


FIG. 2

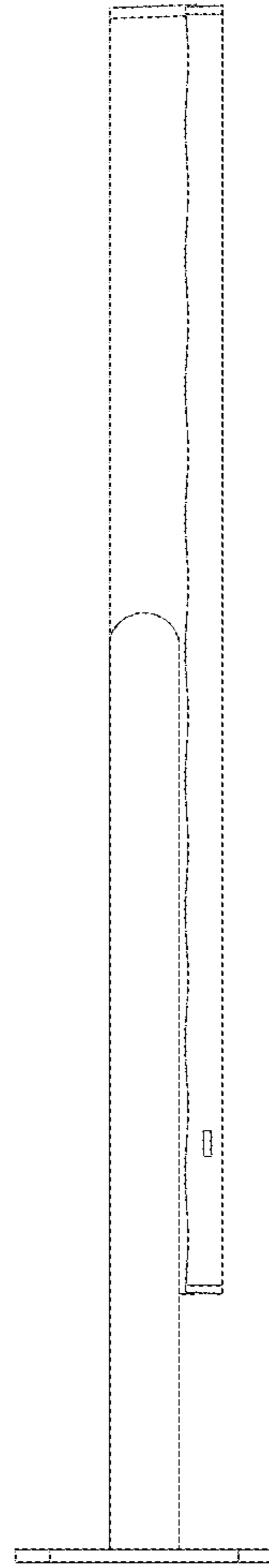


FIG. 3

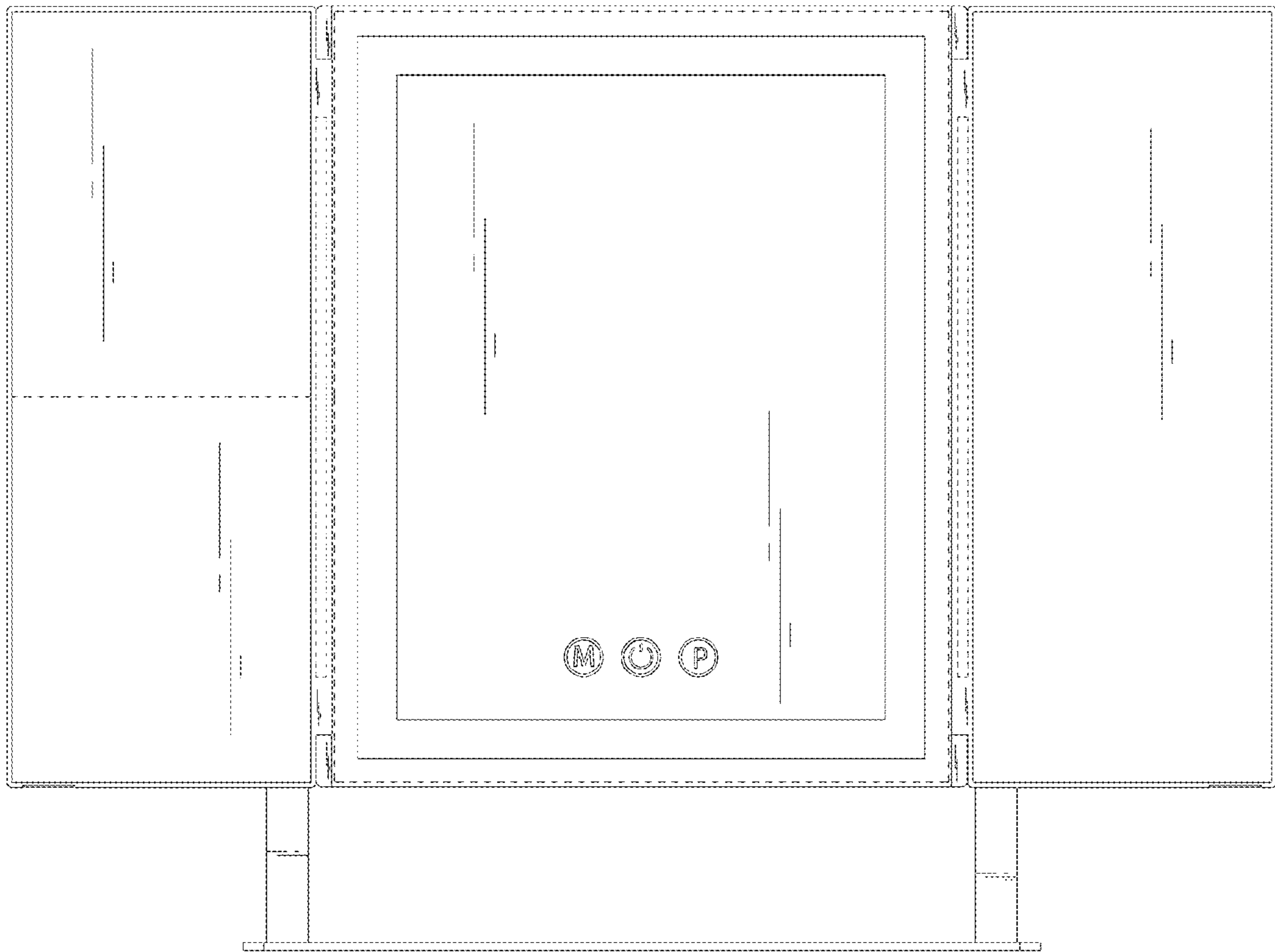


FIG. 4

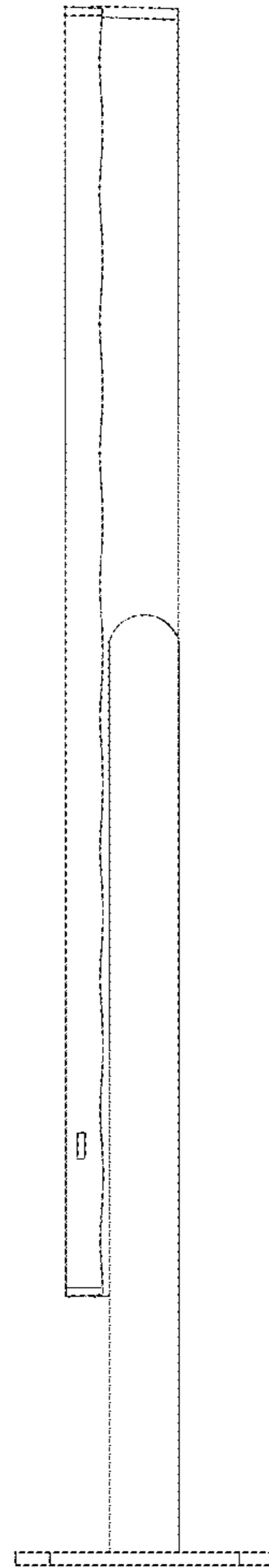


FIG. 5

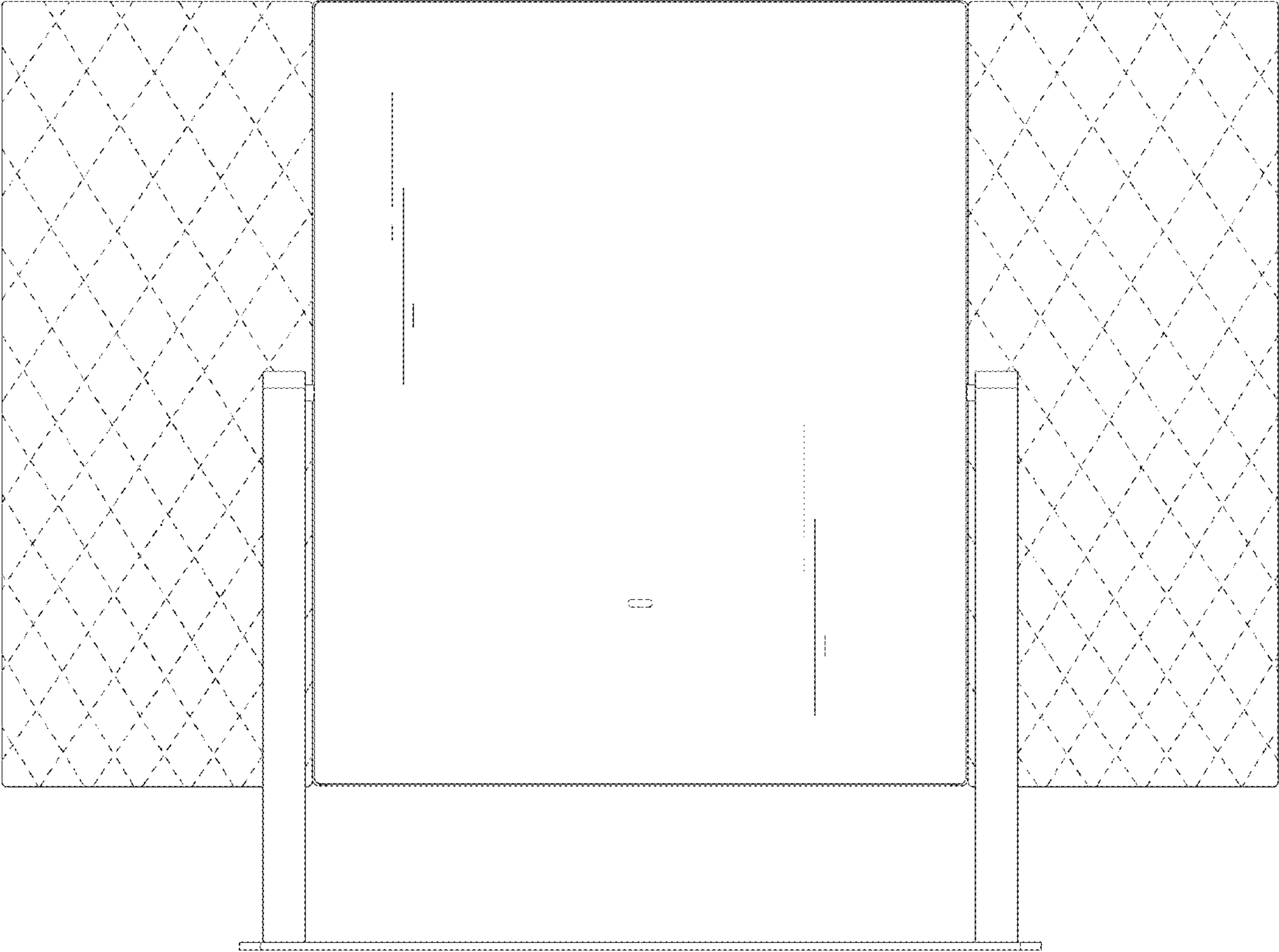


FIG.6

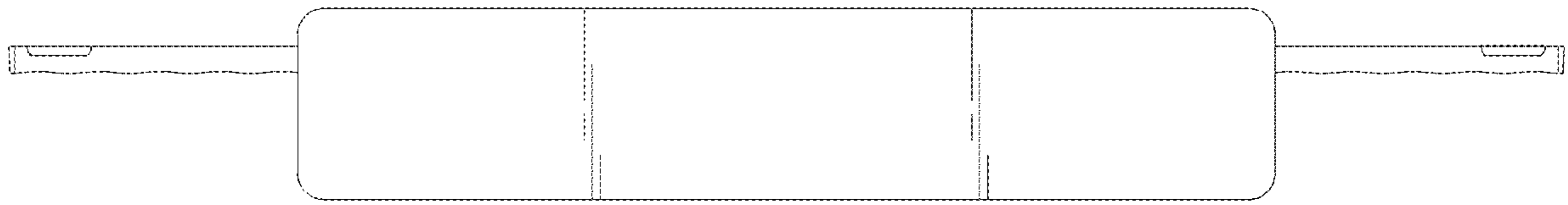


FIG.7