



US00D961943S

(12) **United States Design Patent**
Chen

(10) **Patent No.:** **US D961,943 S**

(45) **Date of Patent:** **** Aug. 30, 2022**

- (54) **ELECTRONIC PHOTO FRAME**
- (71) Applicant: **SHENZHEN GBZK ELECTRONICS CO., LTD**, Shenzhen (CN)
- (72) Inventor: **Jiangping Chen**, Yueyang (CN)
- (73) Assignee: **SHENZHEN GBZK ELECTRONICS CO., LTD**, Shenzhen (CN)

D501,327 S * 2/2005 Keigley D6/300
 D641,175 S 7/2011 Tang
 8,046,945 B2 * 11/2011 Radcliffe A47G 1/06
 40/772
 D846,891 S * 4/2019 Doherty D6/310
 D899,108 S 10/2020 Chen
 D910,322 S * 2/2021 Doherty D6/309
 2007/0119083 A1 * 5/2007 Diller G09F 1/10
 40/661
 2019/0125107 A1 * 5/2019 Hsu A47G 1/06

(**) Term: **15 Years**

(21) Appl. No.: **29/823,956**

(22) Filed: **Jan. 20, 2022**

(30) **Foreign Application Priority Data**

Dec. 1, 2021 (CN) 202130794848.7

(51) **LOC (13) Cl.** **06-07**

(52) **U.S. Cl.**
USPC **D6/308**

(58) **Field of Classification Search**
 USPC D6/300, 301, 302, 303, 304, 307, 308,
 D6/309, 310, 311, 312, 313, 314;
 D14/336, 341, 371, 372, 374, 381, 382,
 D14/448, 450
 CPC A47G 1/06; A47G 1/0605; A47G 1/0616;
 A47G 1/0638; A47G 1/08; A47G 1/14;
 A47G 1/142; A47G 1/16; A47G 1/1613;
 A47G 2001/0688; A47G 2001/0694;
 A47G 2001/148; G09G 2380/16
 See application file for complete search history.

(56) **References Cited**

U.S. PATENT DOCUMENTS

4,310,976 A * 1/1982 Wilten A47G 1/0638
 40/781
 D365,535 S * 12/1995 Muckler D6/300
 D418,984 S * 1/2000 Koconis D6/300
 D482,908 S * 12/2003 Kim D3/304

FOREIGN PATENT DOCUMENTS

EM 008727556-0001 * 10/2021

OTHER PUBLICATIONS

Hd Smart Digital Picture Frame [online], [site visited Jul. 12, 2022]. Available from internet, URL: <https://www.amazon.com/Digital-Wifi10-1-Clearance-Auto-Rotate-Pictures/dp/B0B2VJ37K5?ref_ast_sto_dp> (Year: 2022).*

* cited by examiner

Primary Examiner — Cynthia Ramirez
Assistant Examiner — Xavier Marti-Santos

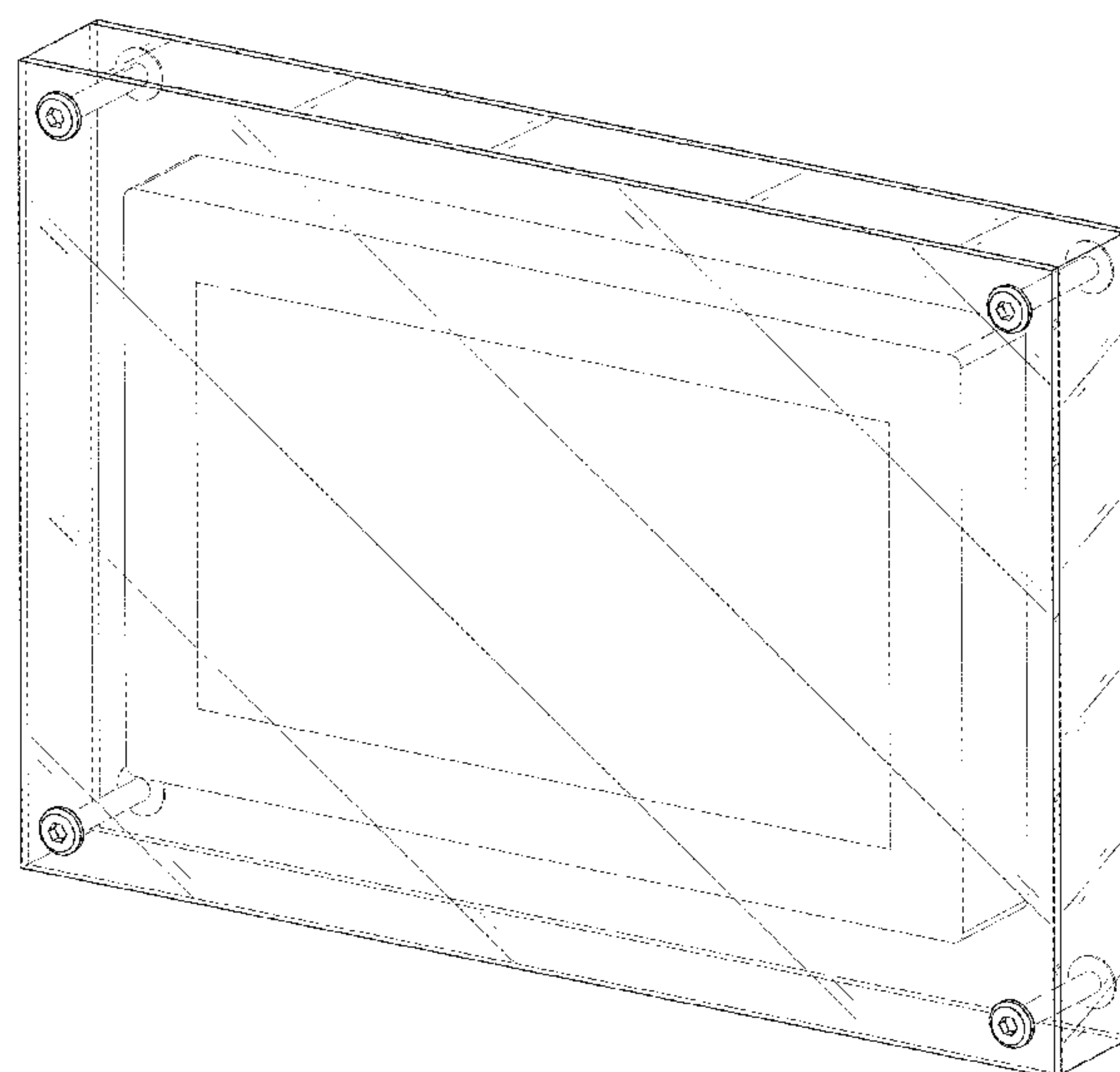
(57) **CLAIM**

The ornamental design for an electronic photo frame, as shown and described.

DESCRIPTION

FIG. 1 is a perspective view of an electronic photo frame showing my new design;
 FIG. 2 is another perspective view thereof;
 FIG. 3 is a front elevational view thereof;
 FIG. 4 is a rear elevational view thereof;
 FIG. 5 is a left side elevational view thereof;
 FIG. 6 is a right side elevational view thereof;
 FIG. 7 is a top plan view thereof; and,
 FIG. 8 is a bottom plan view thereof.

1 Claim, 8 Drawing Sheets



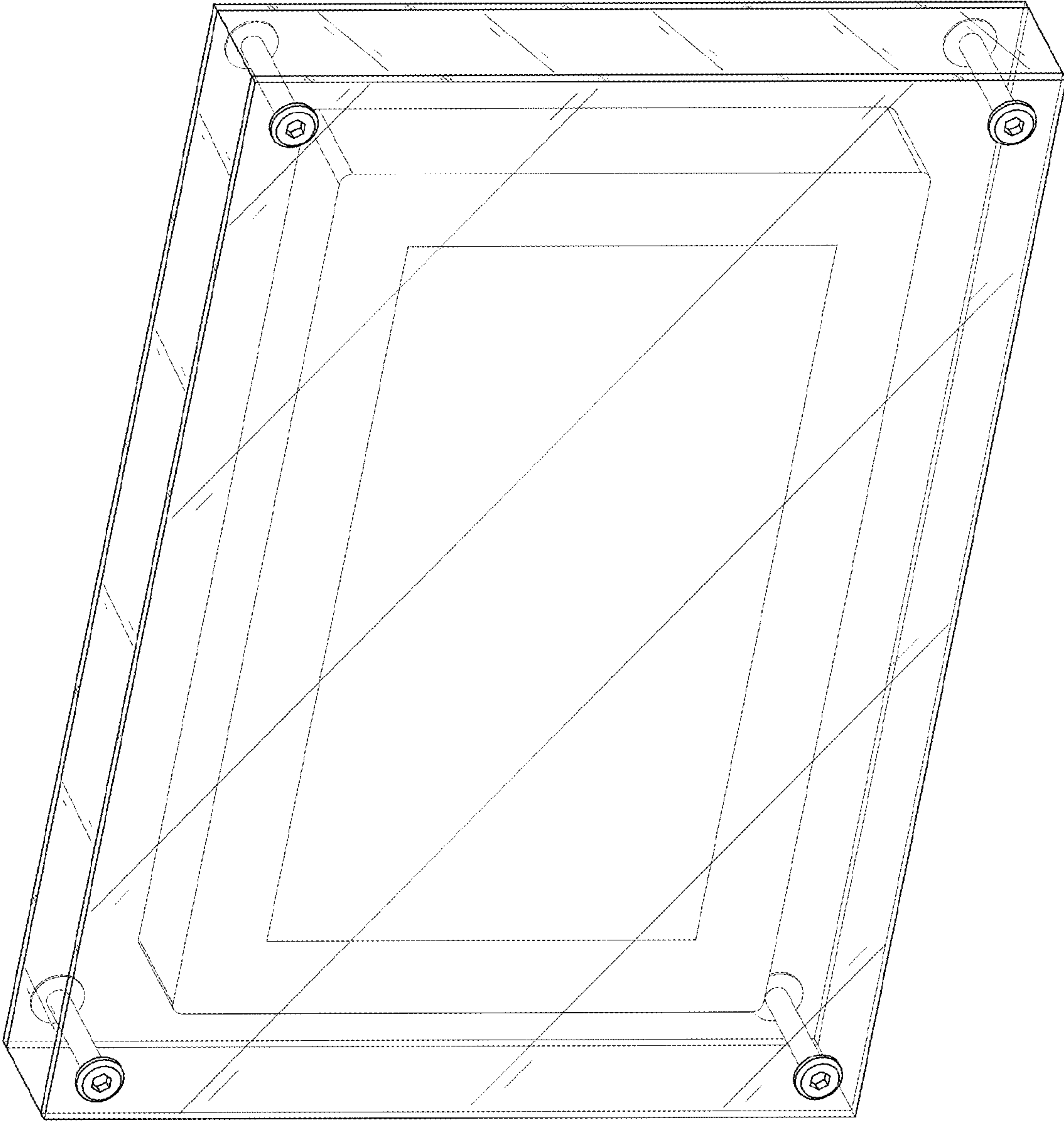


FIG. 1

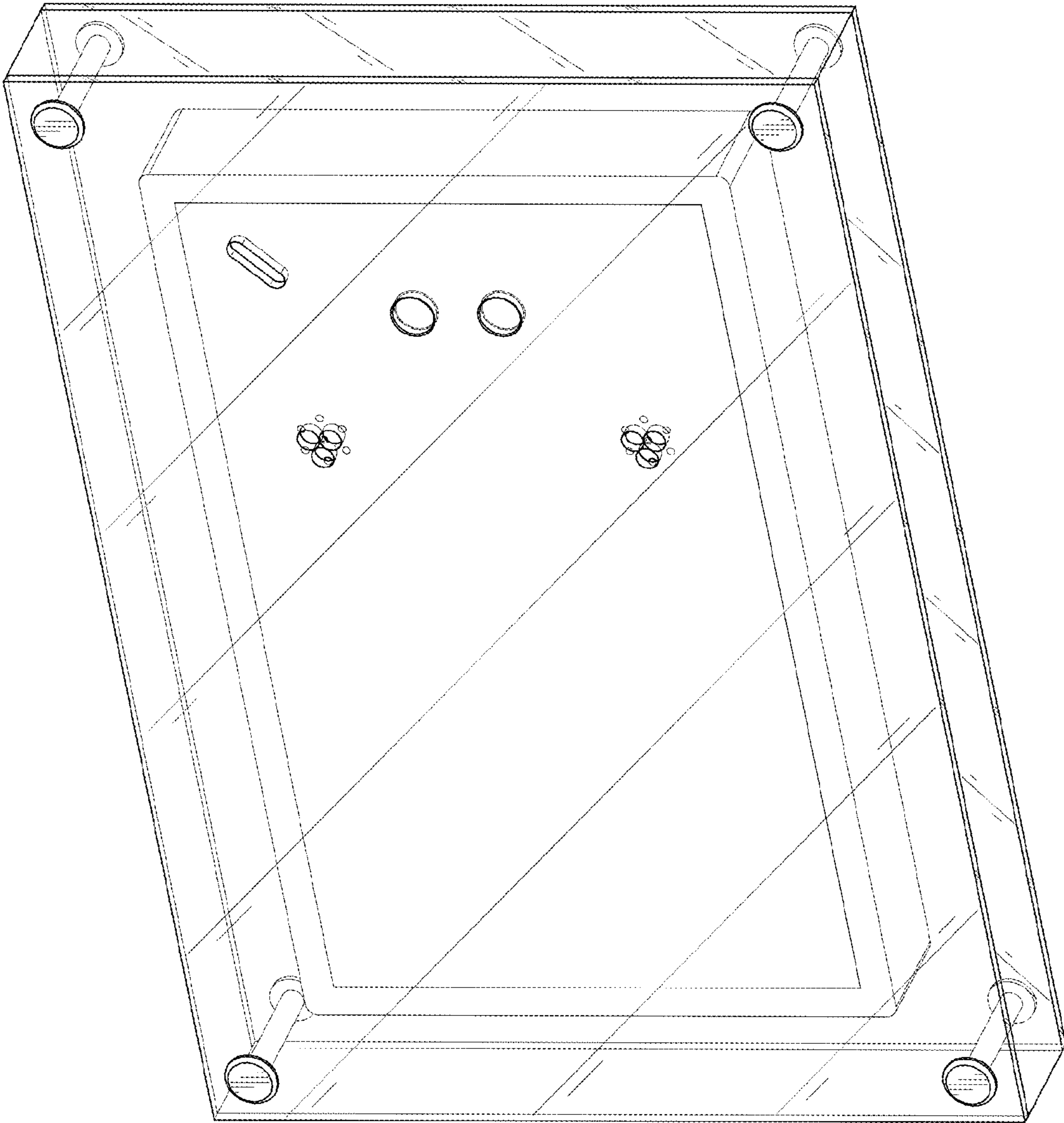


FIG. 2

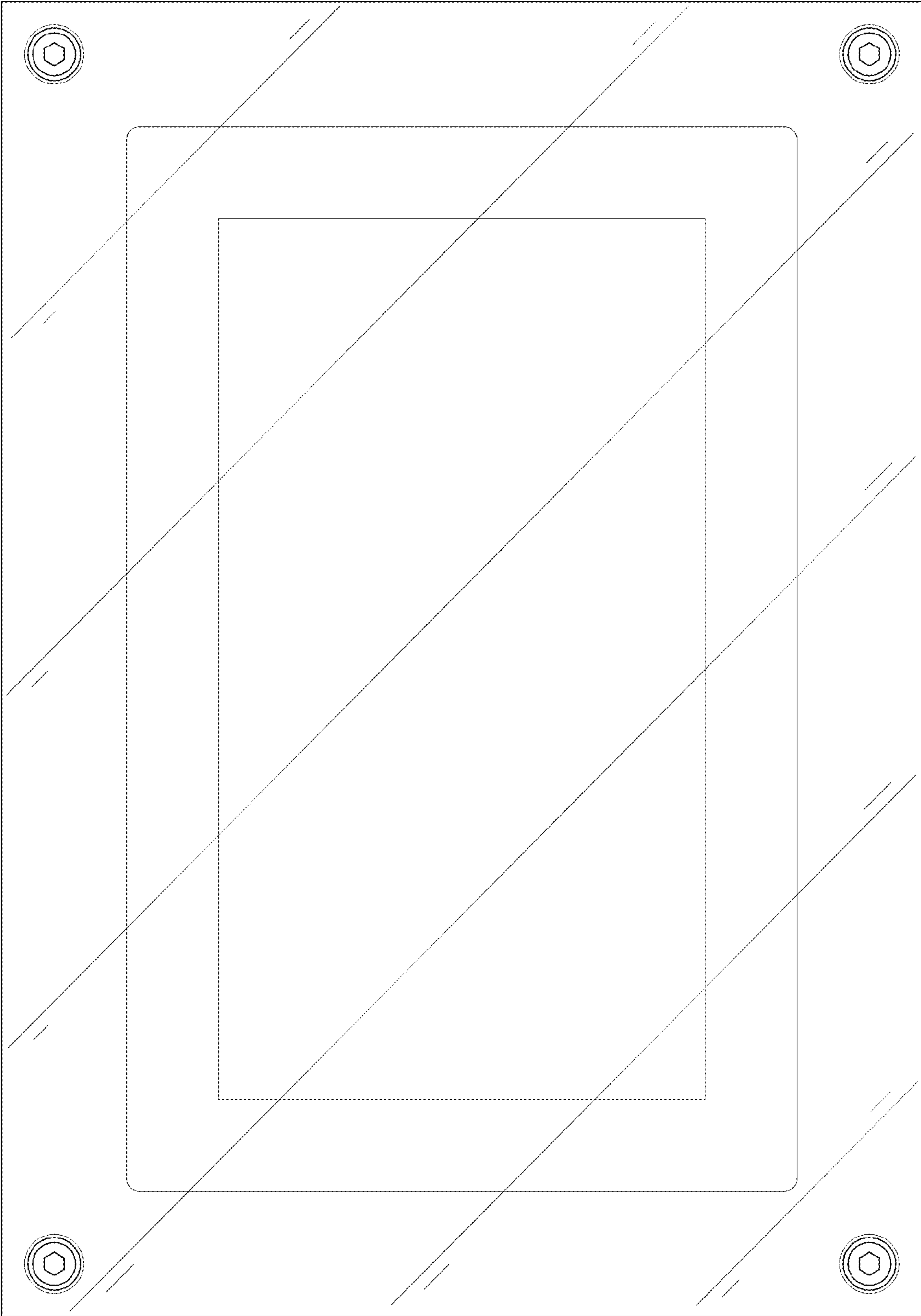


FIG. 3

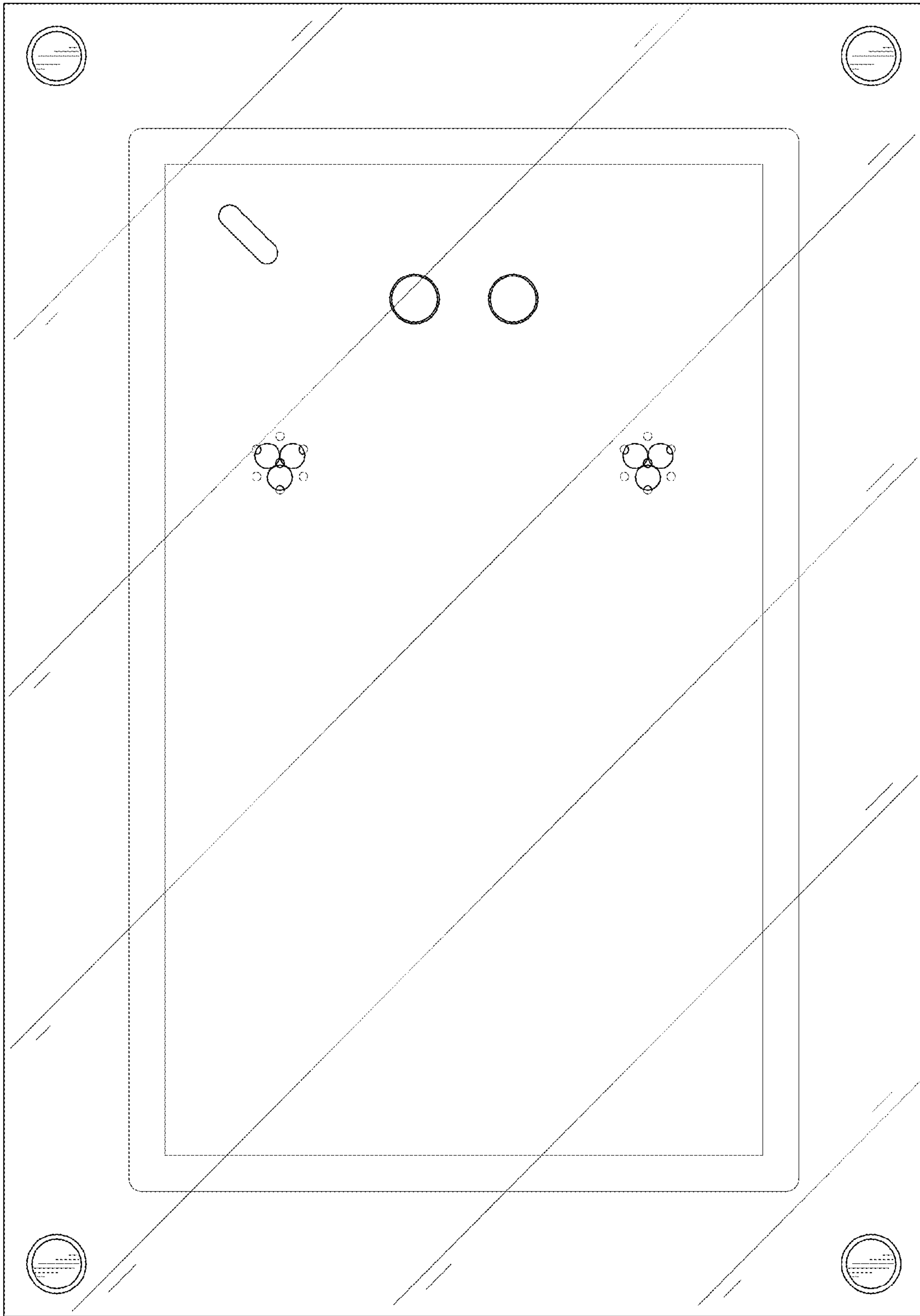


FIG. 4

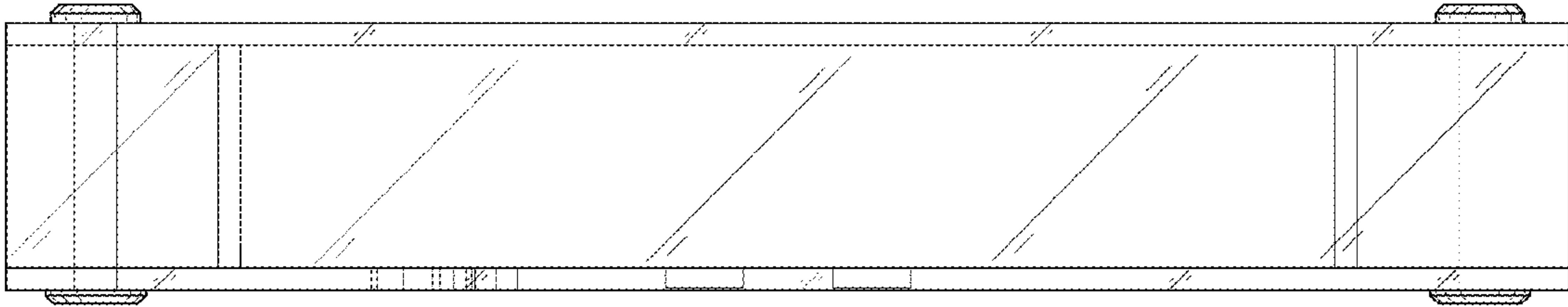


FIG. 5

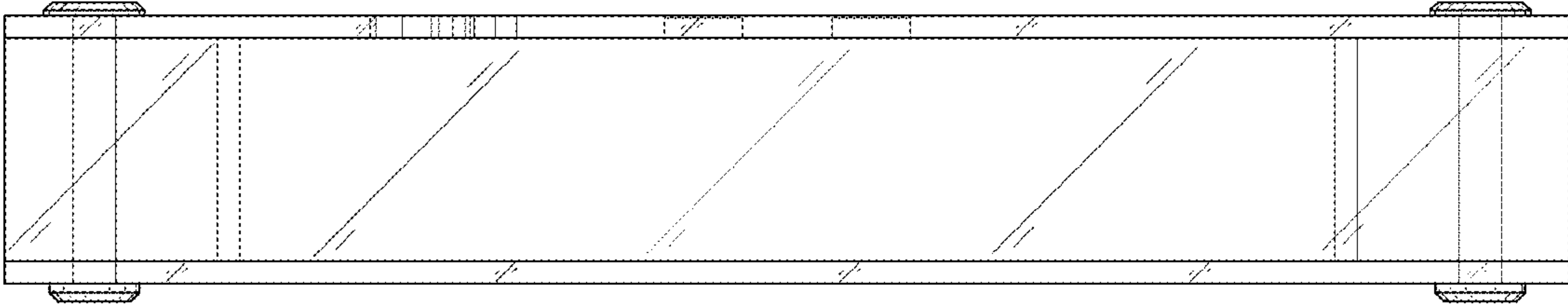


FIG. 6

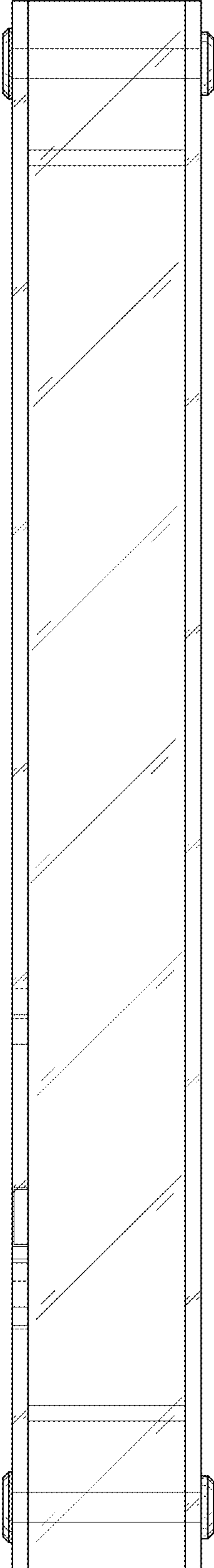


FIG. 7

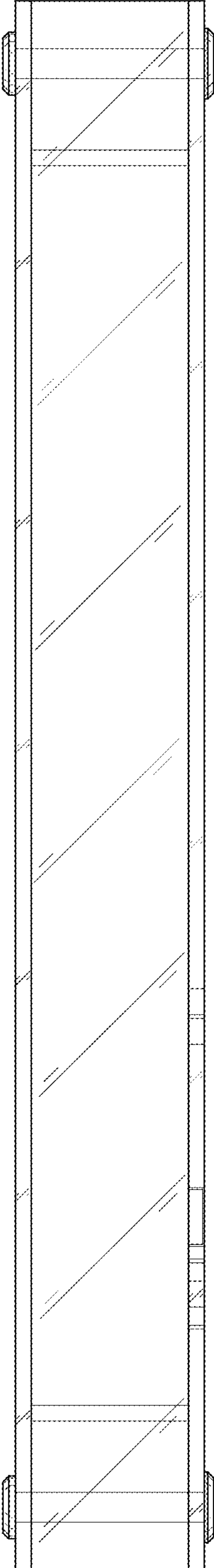


FIG. 8