



US00D961939S

(12) **United States Design Patent**  
**Wang**

(10) **Patent No.:** **US D961,939 S**

(45) **Date of Patent:** **\*\* Aug. 30, 2022**

(54) **HAIRBRUSH**

(71) Applicant: **CANDYBRUSH LLC**, Las Vegas, NV  
(US)

(72) Inventor: **Liangwei Wang**, Ningbo (CN)

(\*\*) Term: **15 Years**

(21) Appl. No.: **29/729,273**

(22) Filed: **Mar. 25, 2020**

(51) **LOC (13) Cl.** ..... **04-02**

(52) **U.S. Cl.**  
USPC ..... **D4/134**

(58) **Field of Classification Search**

USPC ..... D4/100, 102, 114, 115, 116, 117, 118,  
D4/119, 120, 121, 122, 123, 124, 125,  
D4/126, 127, 128, 129, 130, 131, 132,  
D4/133, 134, 135, 136, 137, 138, 199;  
D30/158, 159

CPC ..... A46B 5/02; A46B 9/005; A46B 9/023;  
A46B 9/026; A46B 9/028; A46B 9/06;  
A46B 2200/104; A46B 5/0025; A46B  
5/0037; A46B 7/00

See application file for complete search history.

(56) **References Cited**

**U.S. PATENT DOCUMENTS**

D316,487 S \* 4/1991 Recchelbacher ..... D4/114  
D319,923 S \* 9/1991 Chou ..... D4/121  
D428,702 S \* 8/2000 Van Gelder ..... D4/104  
6,308,717 B1 \* 10/2001 Vrtaric ..... A46B 9/023  
132/129  
D532,979 S \* 12/2006 Viola ..... D4/129  
D710,112 S \* 8/2014 Dunn ..... D4/125

D721,508 S \* 1/2015 Schuler ..... D4/138  
D724,849 S \* 3/2015 Schuler ..... D4/138  
D840,696 S \* 2/2019 Chen ..... D4/134  
10,390,605 B1 \* 8/2019 Schechter ..... A46B 5/0029  
D898,377 S \* 10/2020 Long ..... D4/134  
2003/0009837 A1 \* 1/2003 Cann ..... A46B 5/02  
15/167.1  
2018/0242724 A1 \* 8/2018 Ng ..... A46B 9/005

\* cited by examiner

*Primary Examiner* — Karen E Eldridge Powers

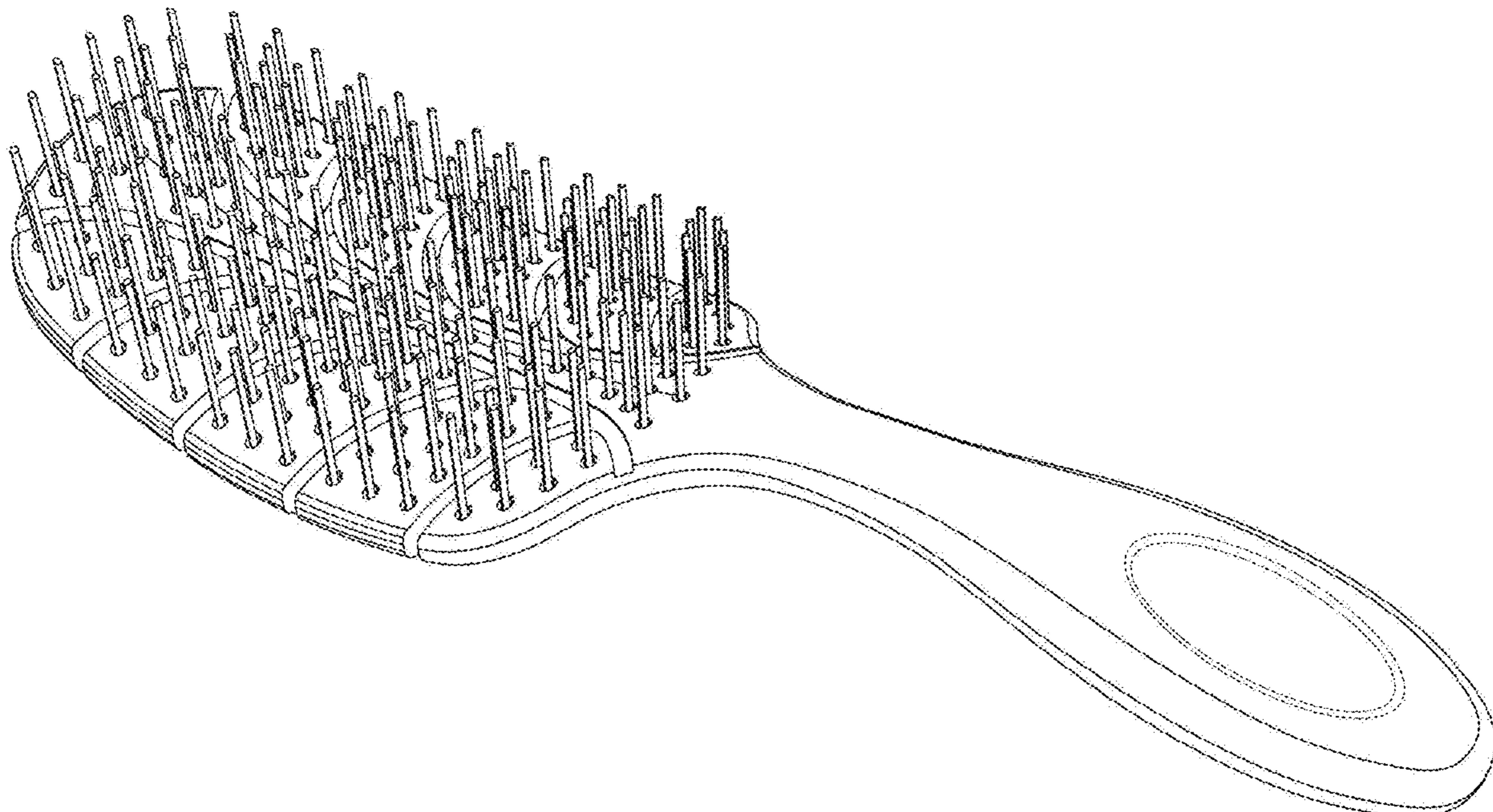
(57) **CLAIM**

The ornamental design for a hairbrush, as shown and described.

**DESCRIPTION**

FIG. 1 is a front elevational view of a hairbrush showing my new design;  
FIG. 2 is a rear elevational view thereof;  
FIG. 3 is a left side elevation view thereof;  
FIG. 4 is a right side elevation view thereof;  
FIG. 5 is a top plan view thereof;  
FIG. 6 is a bottom plan view thereof;  
FIG. 7 is a perspective view thereof.  
FIG. 8 is an enlarged view of FIG. 5; and,  
FIG. 9 is an enlarged view of FIG. 6.  
The dashed broken lines shown in the drawings depict environmental structure forming no part of the claimed design. The long-short-long broken lines illustrate the bounds of the enlarged portions of FIGS. 5-6 as well as the bounds of the enlarged figures, FIGS. 8-9 and form no part of the claimed design.

**1 Claim, 9 Drawing Sheets**



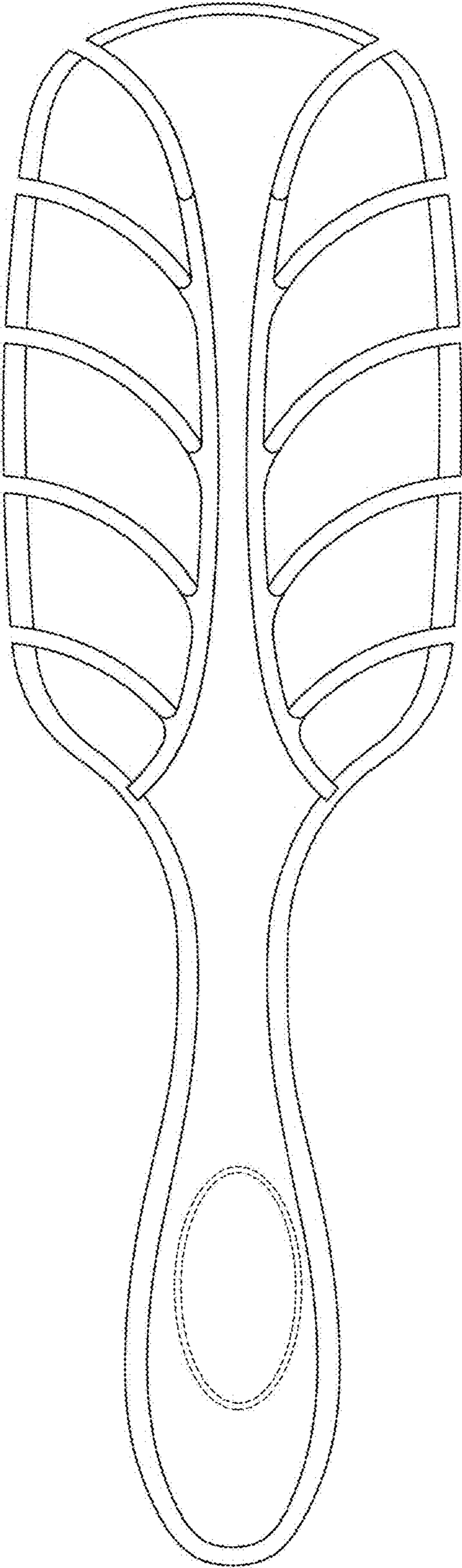


FIG. 1

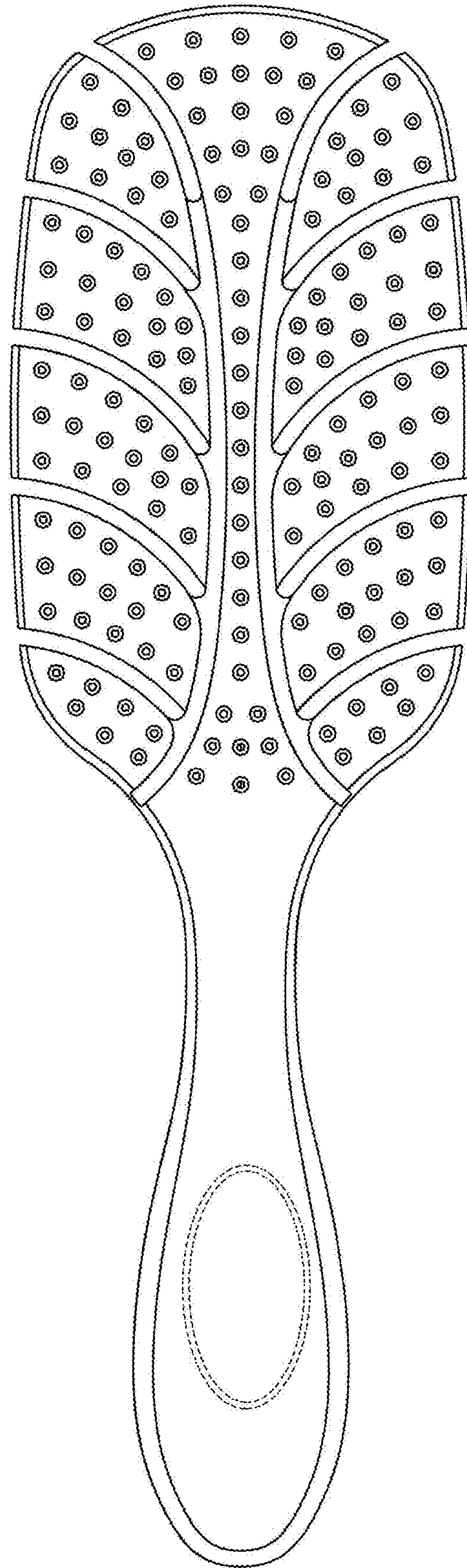


FIG. 2

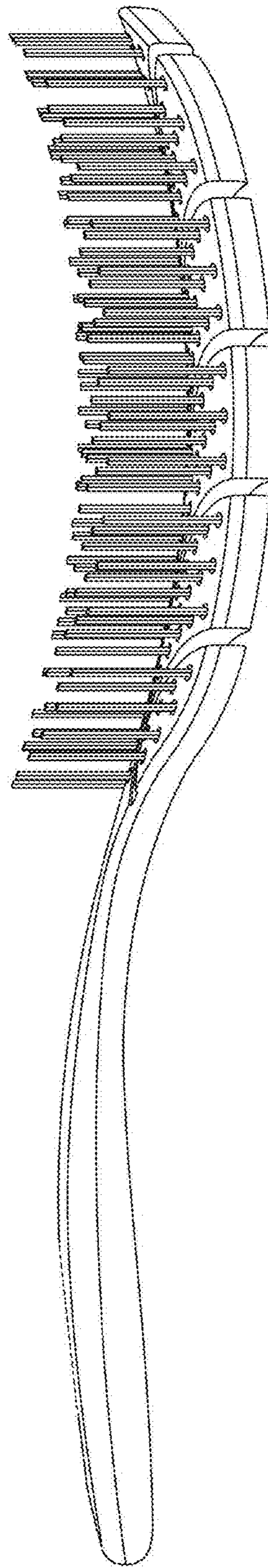


FIG. 3

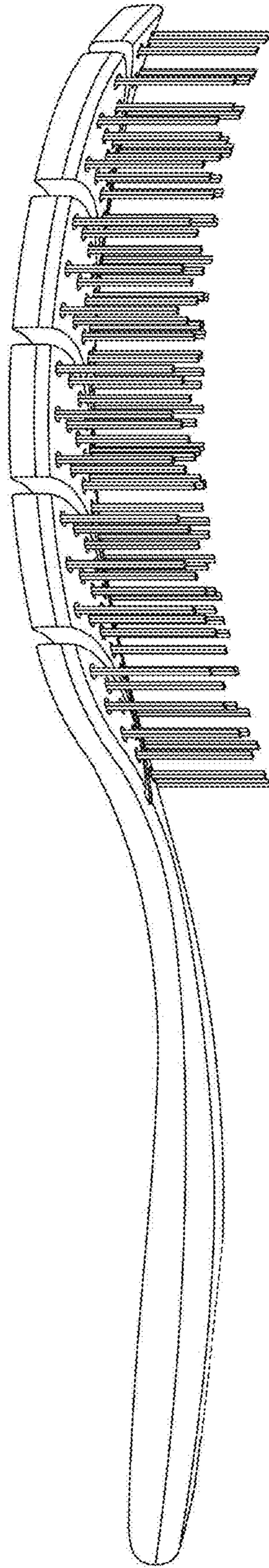


FIG. 4

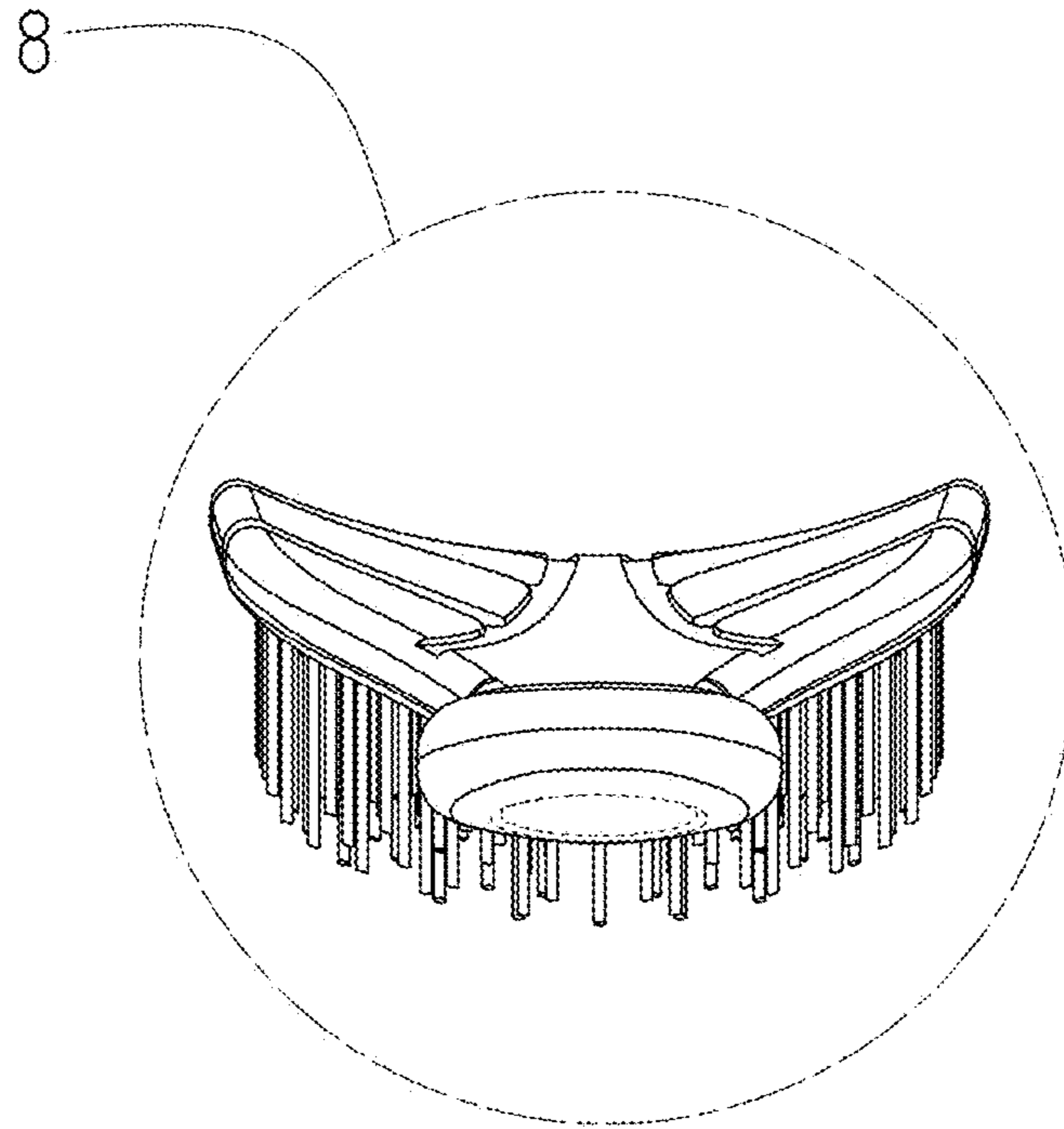


FIG. 5

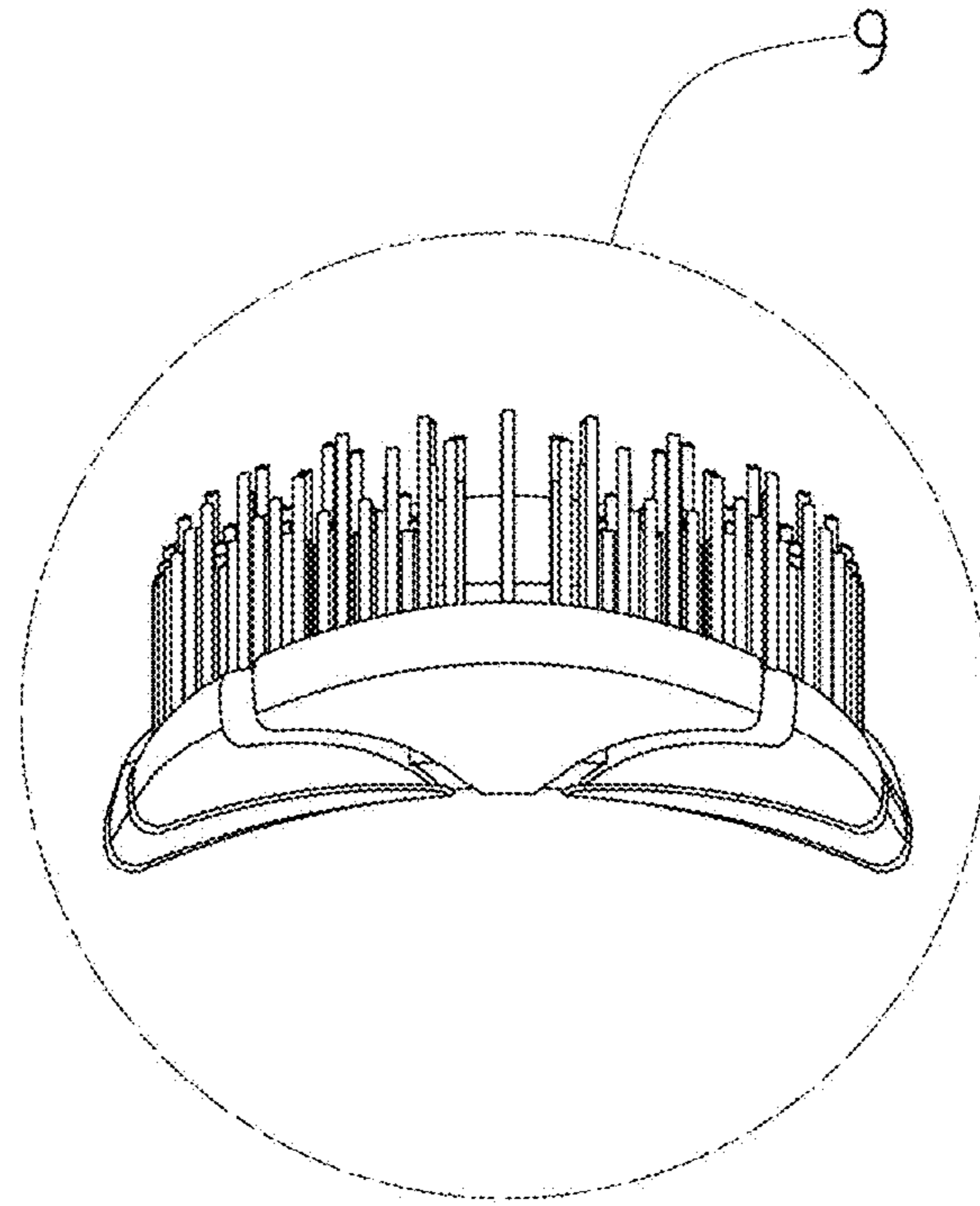


FIG. 6

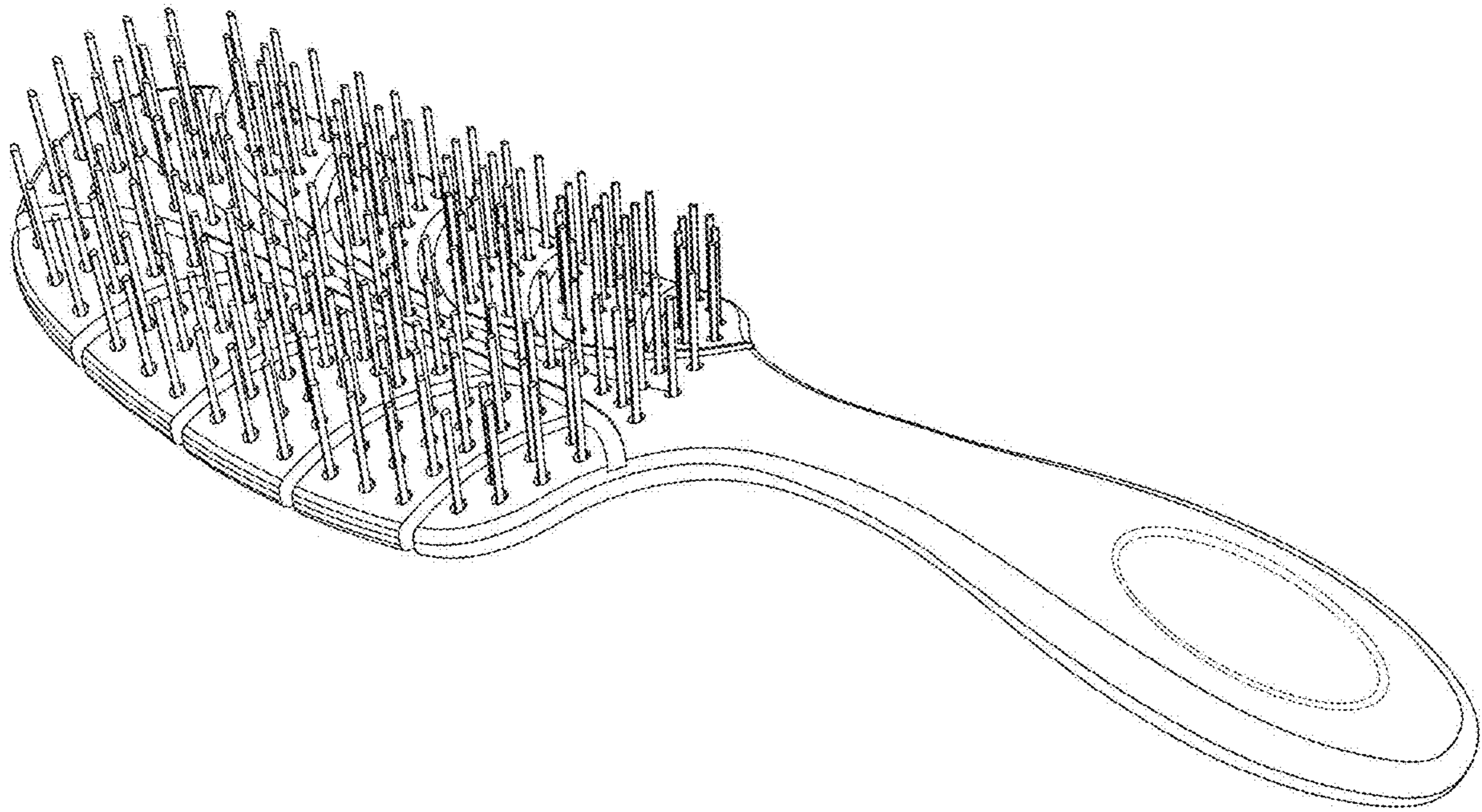


FIG. 7



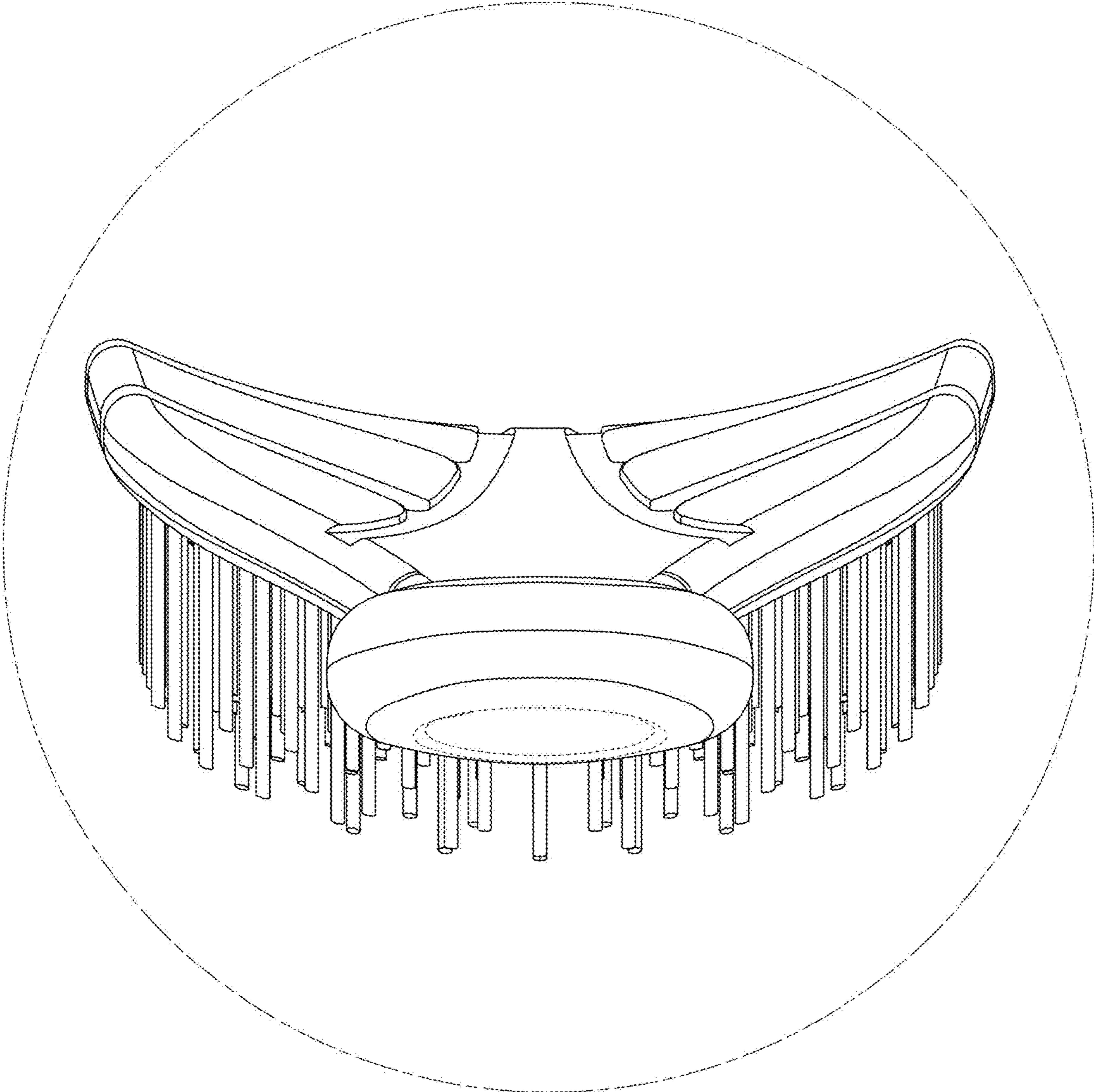


FIG. 8

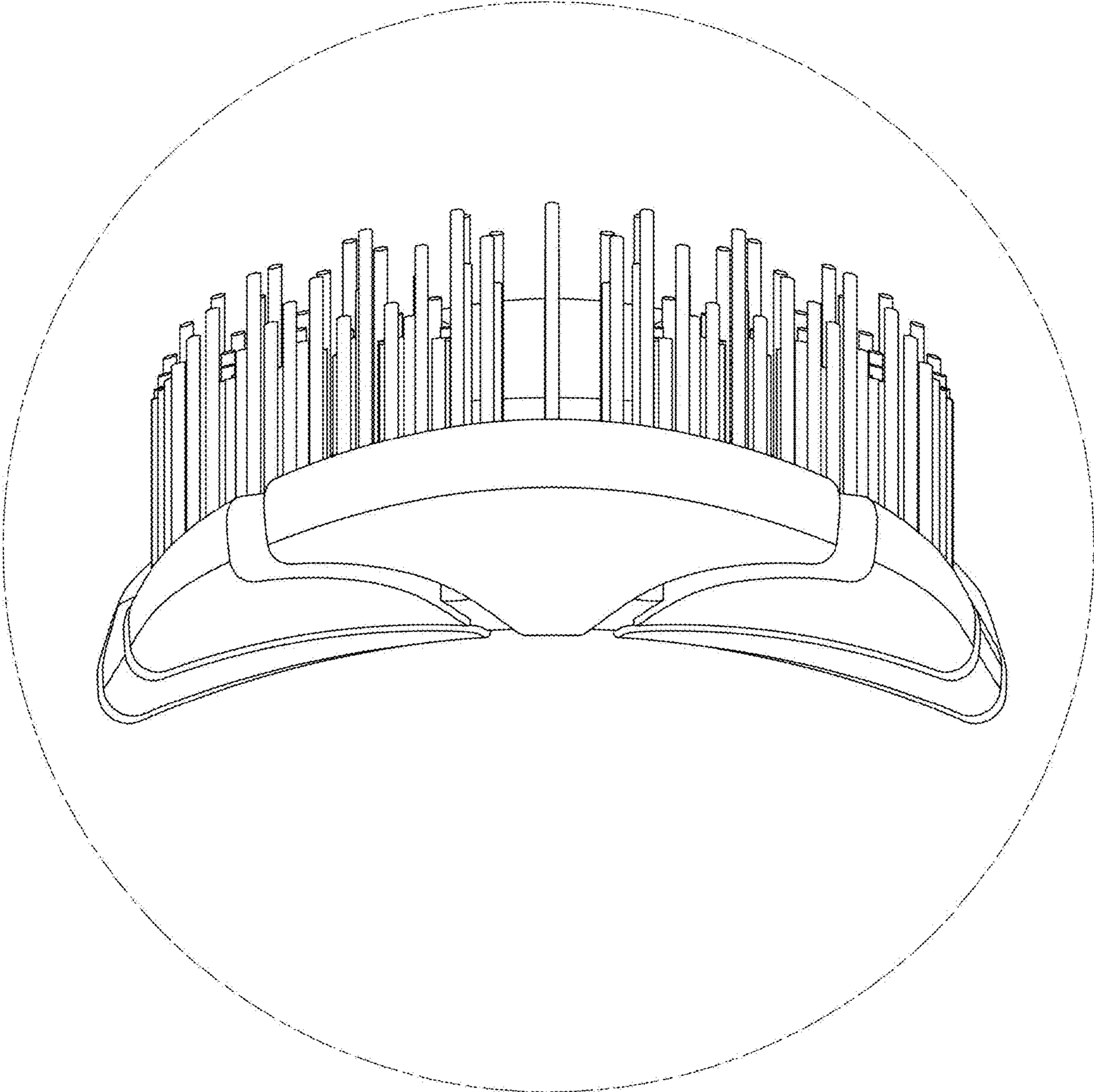


FIG. 9