



US00D961932S

(12) **United States Design Patent** (10) **Patent No.:** **US D961,932 S**  
**Pan** (45) **Date of Patent:** **\*\* Aug. 30, 2022**

(54) **STORAGE BOX**  
(71) Applicant: **Junjie Pan**, Chongqing (CN)  
(72) Inventor: **Junjie Pan**, Chongqing (CN)  
(\*\*) Term: **15 Years**  
(21) Appl. No.: **29/830,720**  
(22) Filed: **Mar. 15, 2022**  
(51) **LOC (13) Cl.** ..... **03-01**  
(52) **U.S. Cl.**  
USPC ..... **D3/313**  
(58) **Field of Classification Search**  
USPC ..... D3/304, 306, 307, 310, 313, 314,  
D3/318-319; D7/550.1, 553.1, 555,  
D7/601-602; D12/400, 415-418, 425  
CPC ..... A47G 23/06; A45F 2200/05; B25H 3/006;  
B25H 3/06; B65D 1/00; B65D 1/24;  
B63B 17/00  
See application file for complete search history.

D618,460 S \* 6/2010 Douglas ..... D3/304  
D709,927 S \* 7/2014 Park ..... D15/89  
D748,498 S \* 2/2016 Pipes ..... D9/737  
D842,607 S \* 3/2019 Kraemer ..... D3/307  
D846,281 S \* 4/2019 Greenwood ..... D3/313  
D846,482 S 4/2019 Wu  
D848,151 S \* 5/2019 Greenwood ..... D3/313  
D887,664 S \* 6/2020 Liao ..... D34/27  
D912,608 S \* 3/2021 Chen ..... D12/425  
D927,852 S \* 8/2021 Mauter ..... D3/905  
D935,380 S \* 11/2021 Ma ..... D12/421  
D935,381 S 11/2021 Chen  
D940,057 S \* 1/2022 Guo ..... D12/425  
D946,898 S \* 3/2022 Chen ..... D3/313  
D949,773 S \* 4/2022 Huang ..... D12/425  
D950,476 S \* 5/2022 Gan ..... D12/425  
D950,953 S \* 5/2022 Kennedy, III ..... D24/227

\* cited by examiner

*Primary Examiner* — Kelley A Donnelly  
(74) *Attorney, Agent, or Firm* — Jeenam Park

(57) **CLAIM**

The ornamental design for a storage box, as shown and described.

**DESCRIPTION**

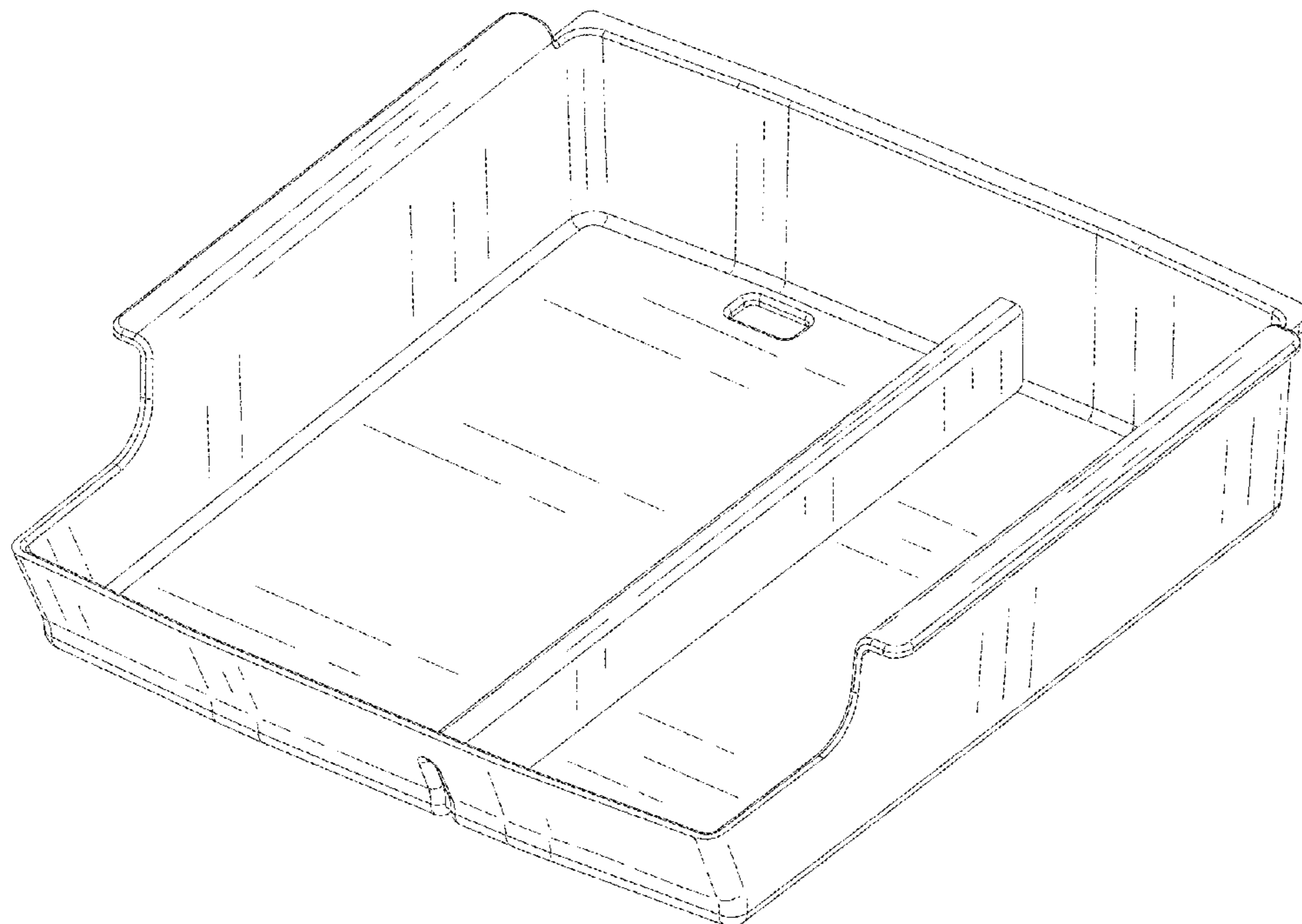
FIG. 1 is a perspective view of a storage box, showing my new design;  
FIG. 2 is another perspective view thereof;  
FIG. 3 is a front view thereof;  
FIG. 4 is a rear view thereof;  
FIG. 5 is a left side view thereof;  
FIG. 6 is a right side view thereof;  
FIG. 7 is a top plan view thereof; and,  
FIG. 8 is a bottom plan view thereof.

**1 Claim, 8 Drawing Sheets**

(56) **References Cited**

**U.S. PATENT DOCUMENTS**

D237,020 S \* 9/1975 Valentine ..... D9/425  
D270,678 S \* 9/1983 Stein ..... D3/304  
D283,666 S \* 5/1986 Holzkopf ..... D9/425  
D304,638 S \* 11/1989 Ireland ..... D3/304  
D309,970 S \* 8/1990 Embree ..... D3/304  
D327,971 S \* 7/1992 Cugley ..... D3/304  
D344,838 S \* 3/1994 Hakansson ..... D3/304  
D504,568 S \* 5/2005 Willison ..... D3/310  
D512,836 S \* 12/2005 Marnell, II ..... D3/313  
D537,633 S \* 3/2007 Marnell, II ..... D3/313  
D585,647 S \* 2/2009 Whiteside ..... D3/310  
D605,896 S \* 12/2009 Zalewski ..... D7/553.1



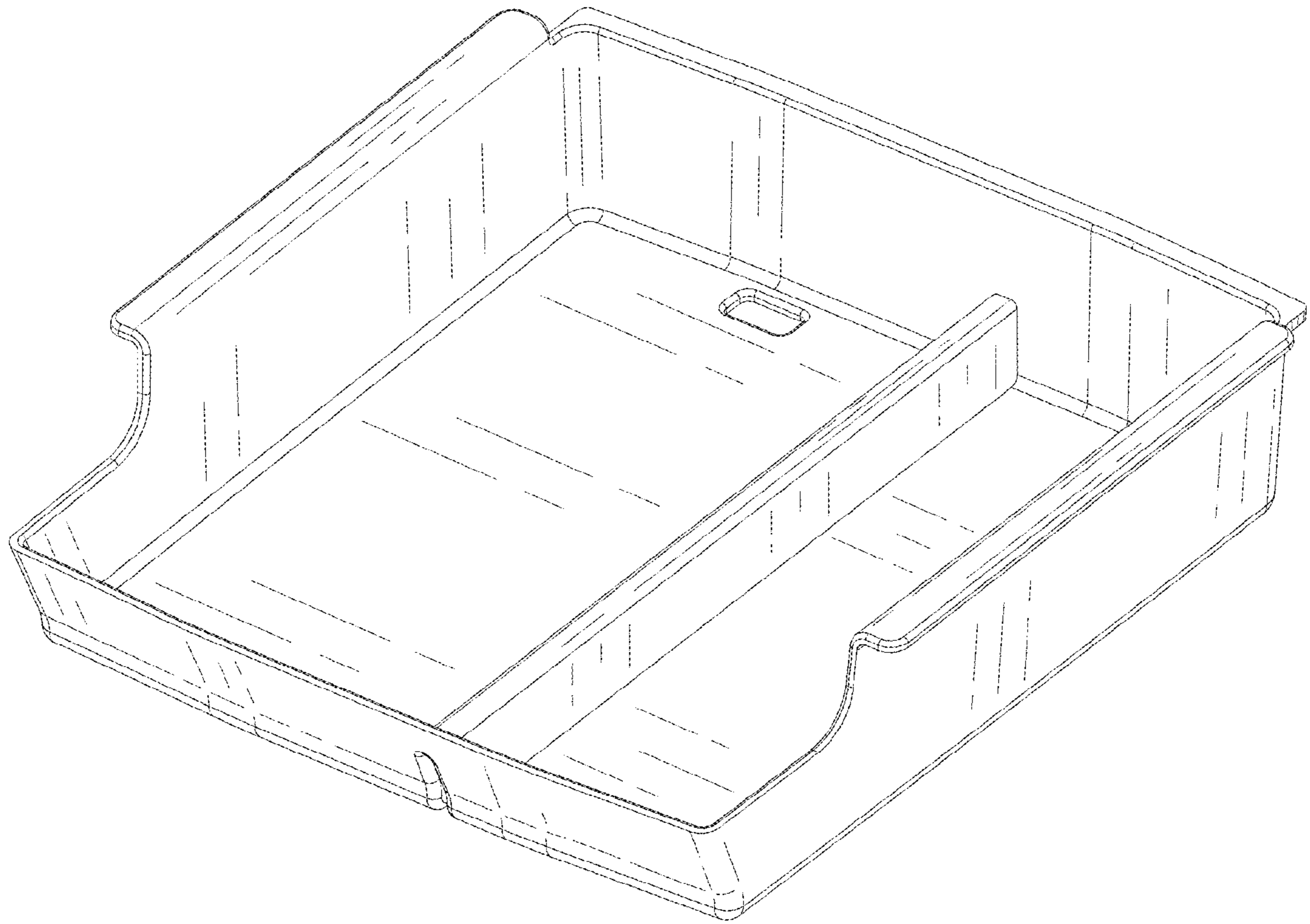


FIG. 1

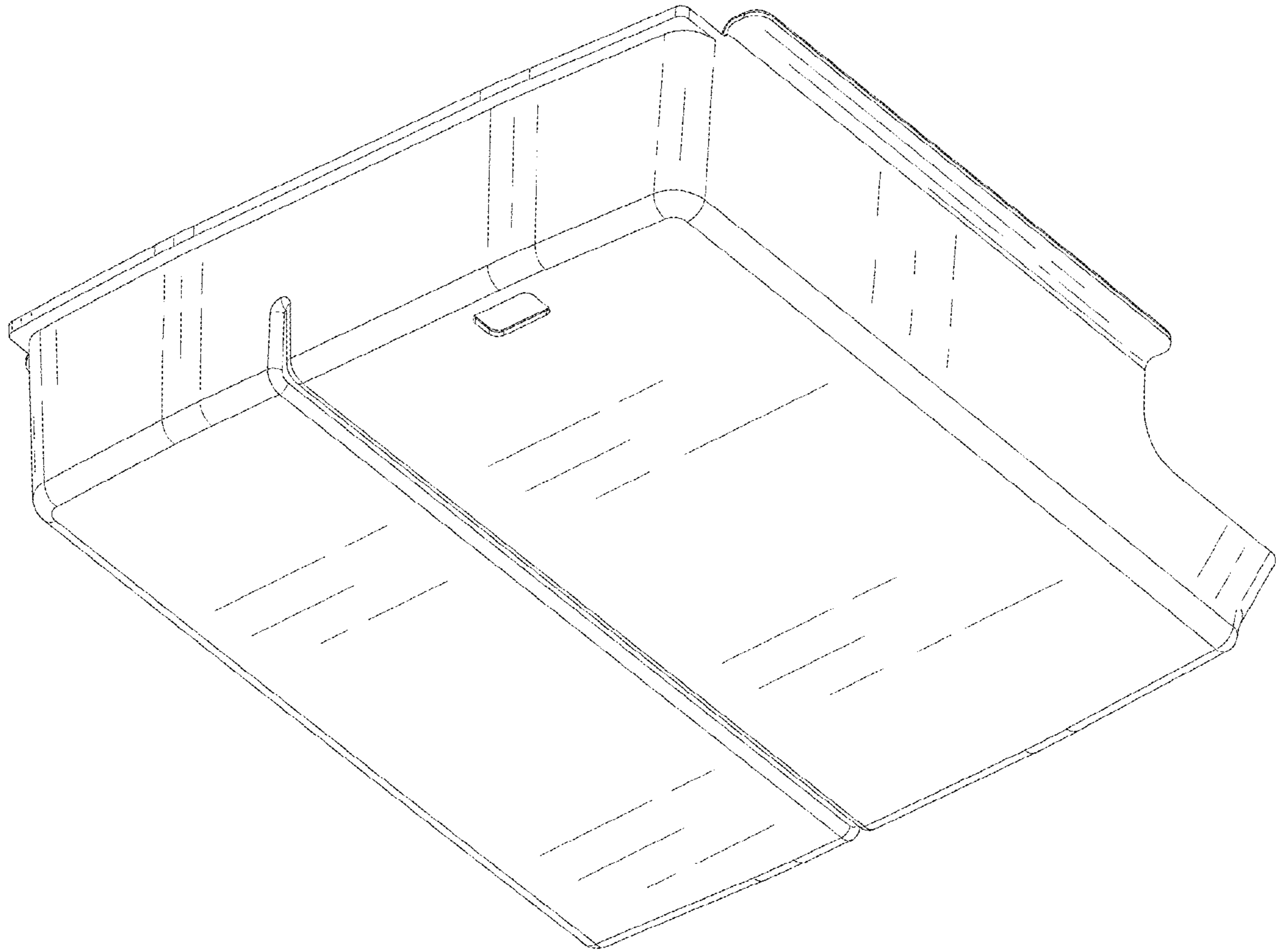


FIG. 2

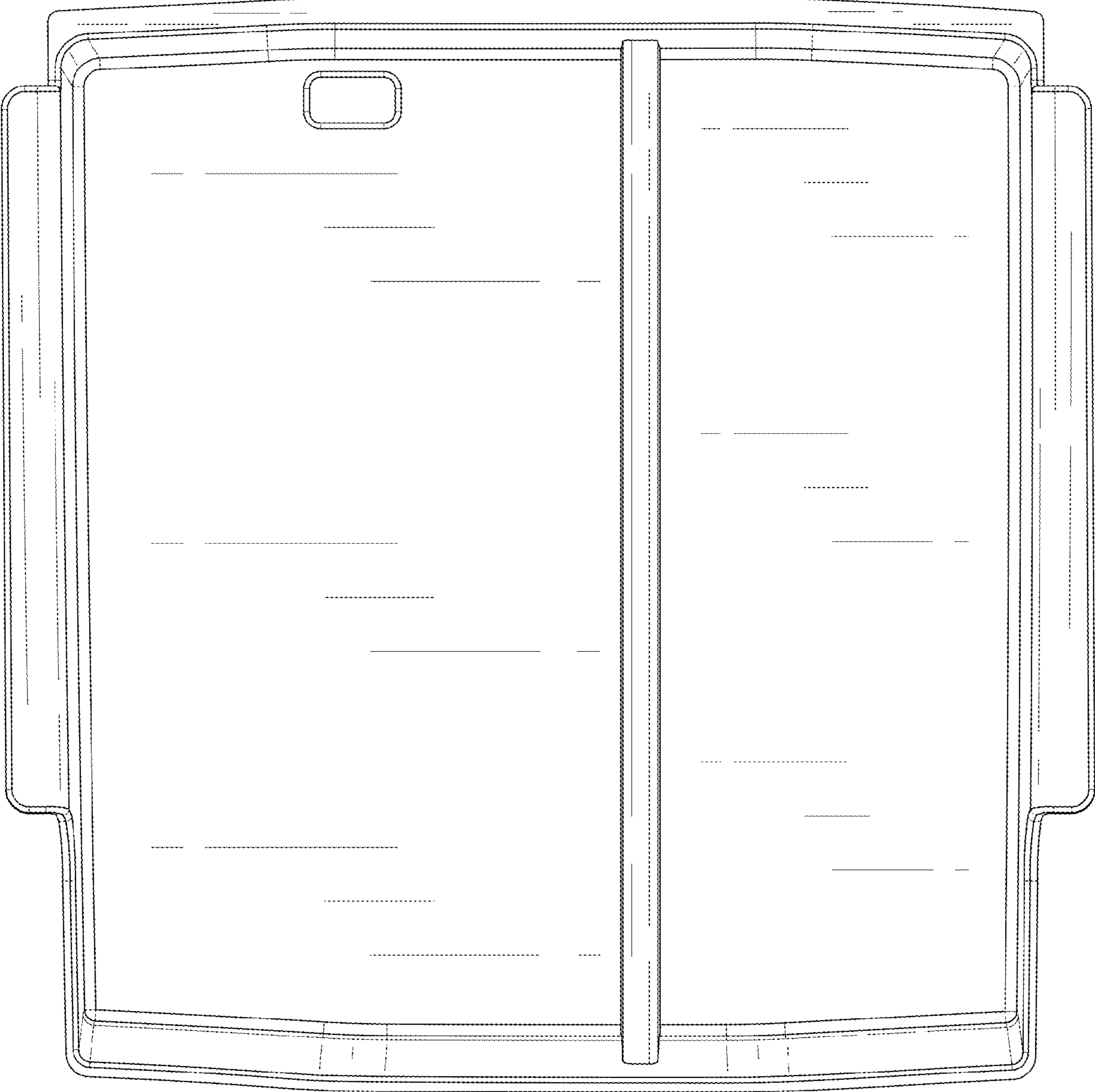


FIG. 3

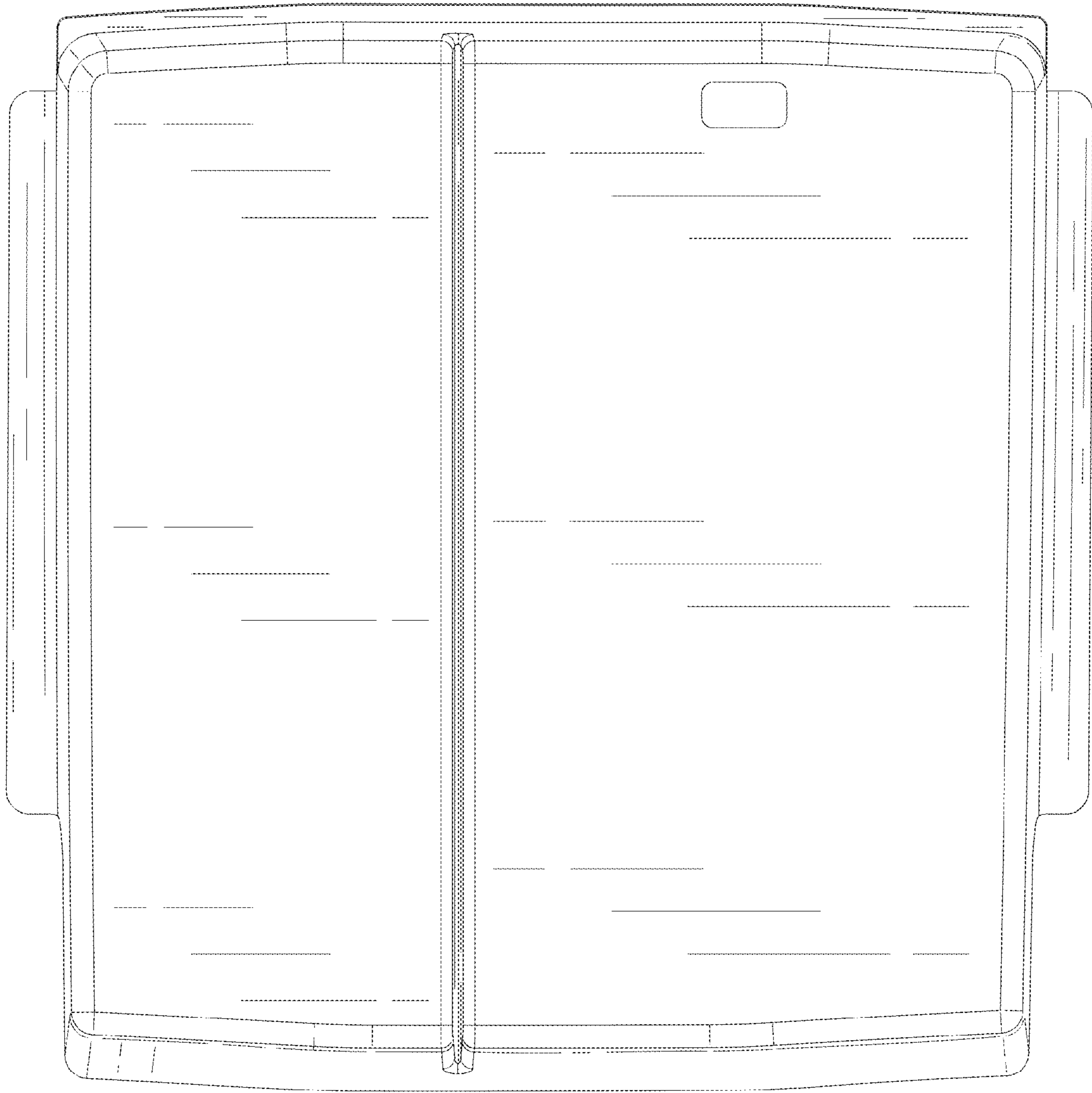


FIG. 4

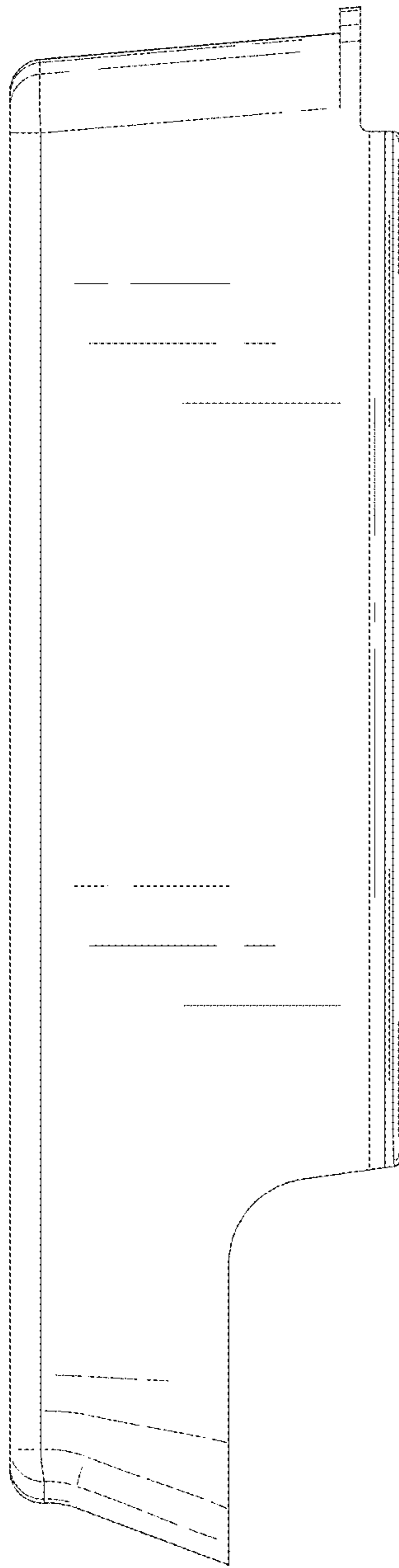


FIG. 5

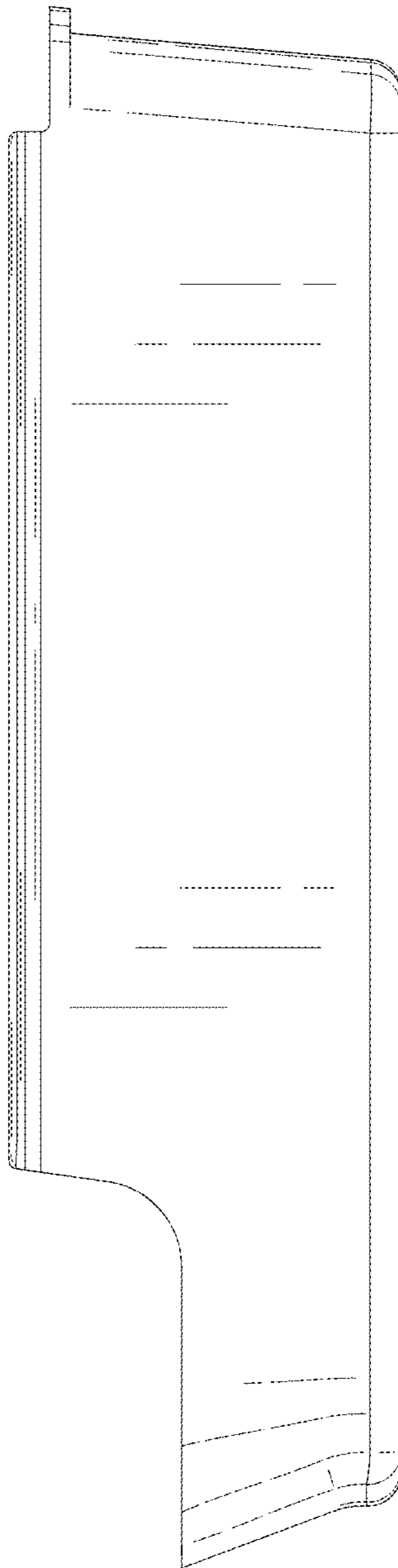


FIG. 6

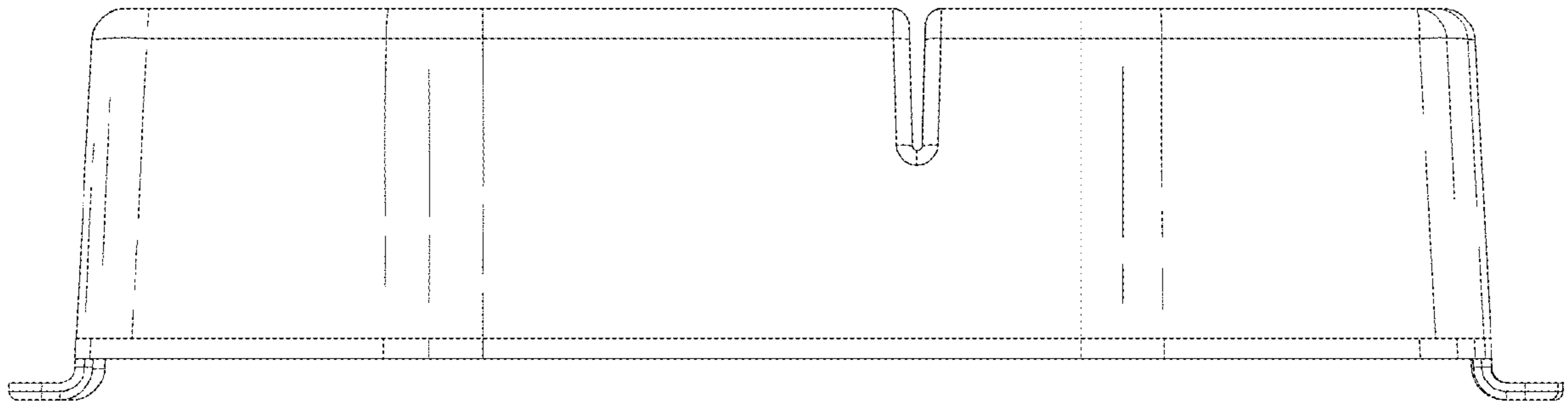


FIG. 7



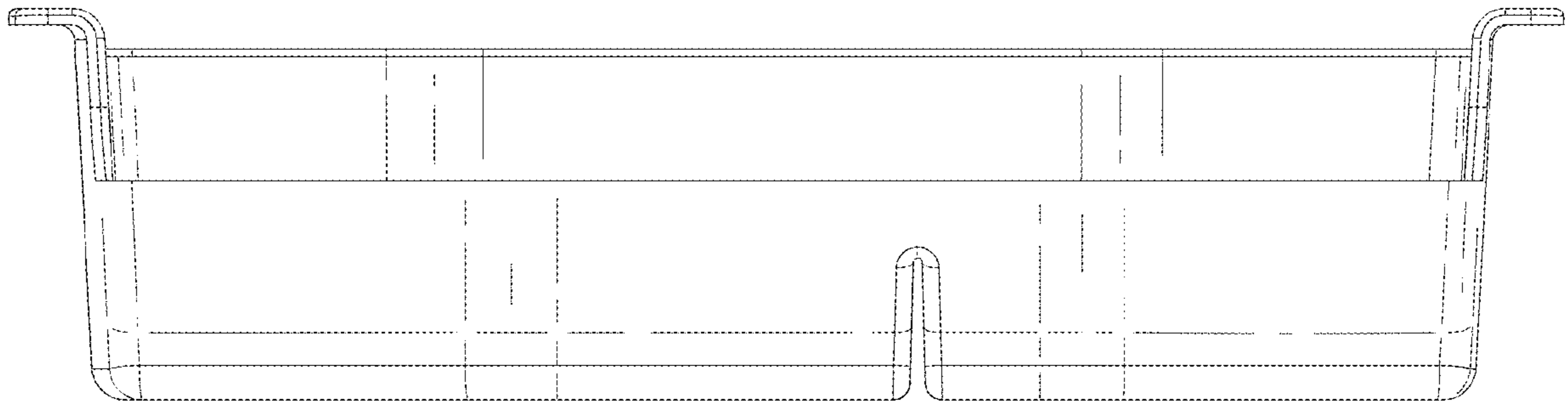


FIG. 8