



US00D961931S

(12) **United States Design Patent** (10) **Patent No.:** **US D961,931 S**
McBride (45) **Date of Patent:** **** Aug. 30, 2022**

(54) **BIN**
(71) Applicant: **InterDesign, Inc.**, Solon, OH (US)
(72) Inventor: **Sara Czukal McBride**, Wickliffe, OH (US)
(73) Assignee: **InterDesign, Inc.**, Solon, OH (US)
(**) Term: **15 Years**
(21) Appl. No.: **29/825,614**
(22) Filed: **Feb. 3, 2022**

Related U.S. Application Data

(63) Continuation of application No. 29/733,375, filed on May 1, 2020, which is a continuation-in-part of application No. 29/680,170, filed on Feb. 14, 2019, now Pat. No. Des. 900,476, which is a continuation-in-part of application No. 29/585,140, filed on Nov. 21, 2016, now abandoned, and a continuation-in-part of application No. 29/602,126, filed on Apr. 28, 2017, now abandoned, which is a continuation of application No. 29/492,902, filed on Jun. 4, 2014, now Pat. No. Des. 787,922, which is a continuation of application No. 29/416,358, filed on Mar. 21, 2012, now Pat. No. Des. 709,289.
(51) **LOC (13) Cl.** **09-04**
(52) **U.S. Cl.**
USPC **D3/307; D3/304**
(58) **Field of Classification Search**
USPC D3/200–201, 203.1, 203.3, 205–206, D3/303–315; D32/37, 55; D9/643–644, D9/645–647, 703, 425–426, 432; D6/683, 683.1, 705, 573, 574; 206/503–507, 510, 512, 564, 822; 220/607, 643, 659, 676, 657; 229/100, 229/406, 913–914
CPC B65D 81/3813; B65D 21/00
See application file for complete search history.

(56) **References Cited**
U.S. PATENT DOCUMENTS
3,002,650 A 10/1961 Lovell
3,214,057 A 10/1965 Box
(Continued)

FOREIGN PATENT DOCUMENTS
GB 2206864 1/1989

OTHER PUBLICATIONS
iDesign Linus Pantry Bins—The Container Store—<https://www.containerstore.com/s/idesign-linus-pantry-bins/d?q=bin&productId=10032358>—Date accessed: Feb. 2, 2022.
(Continued)

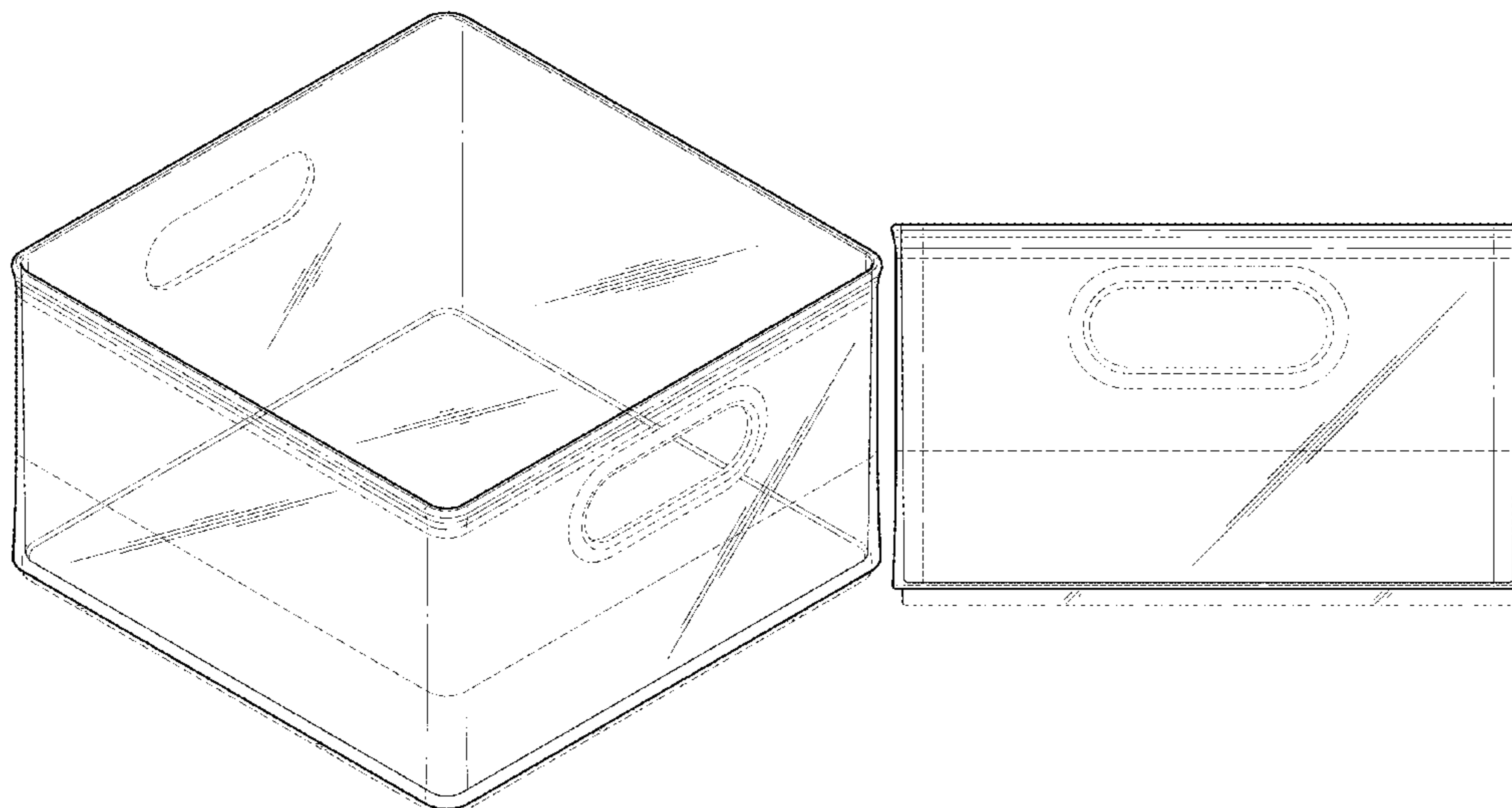
Primary Examiner — Austin Murphy
(74) *Attorney, Agent, or Firm* — Calfee, Halter & Griswold LLP

(57) **CLAIM**
I claim the ornamental design for a bin, as shown and described.

DESCRIPTION

FIG. 1 is a front/right/top perspective view of a bin (a front/left/top perspective view would be a mirror image thereof);
FIG. 2 is a rear/left/bottom perspective view thereof (a rear/right/bottom perspective view would be a mirror image thereof);
FIG. 3 is a right side elevational view thereof (the left side being a mirror image thereof);
FIG. 4 is a front elevational view thereof (a rear elevational view would be a mirror image thereof);
FIG. 5 is a top plan view thereof; and,
FIG. 6 is a bottom plan view thereof.
The broken lines represent portions of the bin that form no part of the claimed design.

1 Claim, 5 Drawing Sheets



(56)

References Cited

U.S. PATENT DOCUMENTS

4,362,244 A 12/1982 Cornou
 D451,675 S 12/2001 Hardy
 D487,347 S * 3/2004 Felsenthal D3/305
 D709,289 S 7/2014 Kraemer
 D712,148 S 9/2014 Ghiorghie
 D713,146 S 9/2014 Ghiorghie
 D747,102 S 1/2016 Kraemer
 D751,318 S 3/2016 Kraemer
 D770,771 S * 11/2016 Lisso D3/304
 D772,575 S 11/2016 Stelmarski
 D780,264 S * 2/2017 Greenspon D19/90
 D806,391 S 1/2018 Ghiorghie
 D809,797 S * 2/2018 Kraemer D3/307
 D842,606 S * 3/2019 Kraemer D3/307
 D862,994 S * 10/2019 Kraemer D7/629
 D863,485 S * 10/2019 VanNatta D21/811
 D866,973 S * 11/2019 Snell D6/683
 D878,050 S 3/2020 Kraemer
 D878,051 S * 3/2020 Kraemer D3/307

D893,874 S * 8/2020 Kraemer D3/307
 D895,970 S 9/2020 Kraemer
 D902,594 S 11/2020 Kraemer
 D912,985 S * 3/2021 Kraemer D6/683
 D915,073 S 4/2021 Kraemer
 D919,974 S 5/2021 Kraemer
 D921,361 S * 6/2021 Kraemer D3/273
 D922,867 S 6/2021 Perella
 D927,298 S 8/2021 Kasamatsu

OTHER PUBLICATIONS

iDesign Crisp Divided Food Storage Container—Wayfair—<https://www.wayfair.com/kitchen-tabletop/pdp/idesign-crisp-divided-food-storage-container-ides1103.html>—Date accessed: Feb. 2, 2022.
 iDesign Linus Plastic Storage Organizer Bin with Handle—Wayfair—<https://www.wayfair.com/kitchen-tabletop/pdp/idesign-linus-plastic-storage-organizer-bin-with-handle-ides1154.html>—Date accessed: Feb. 2, 2022.

* cited by examiner

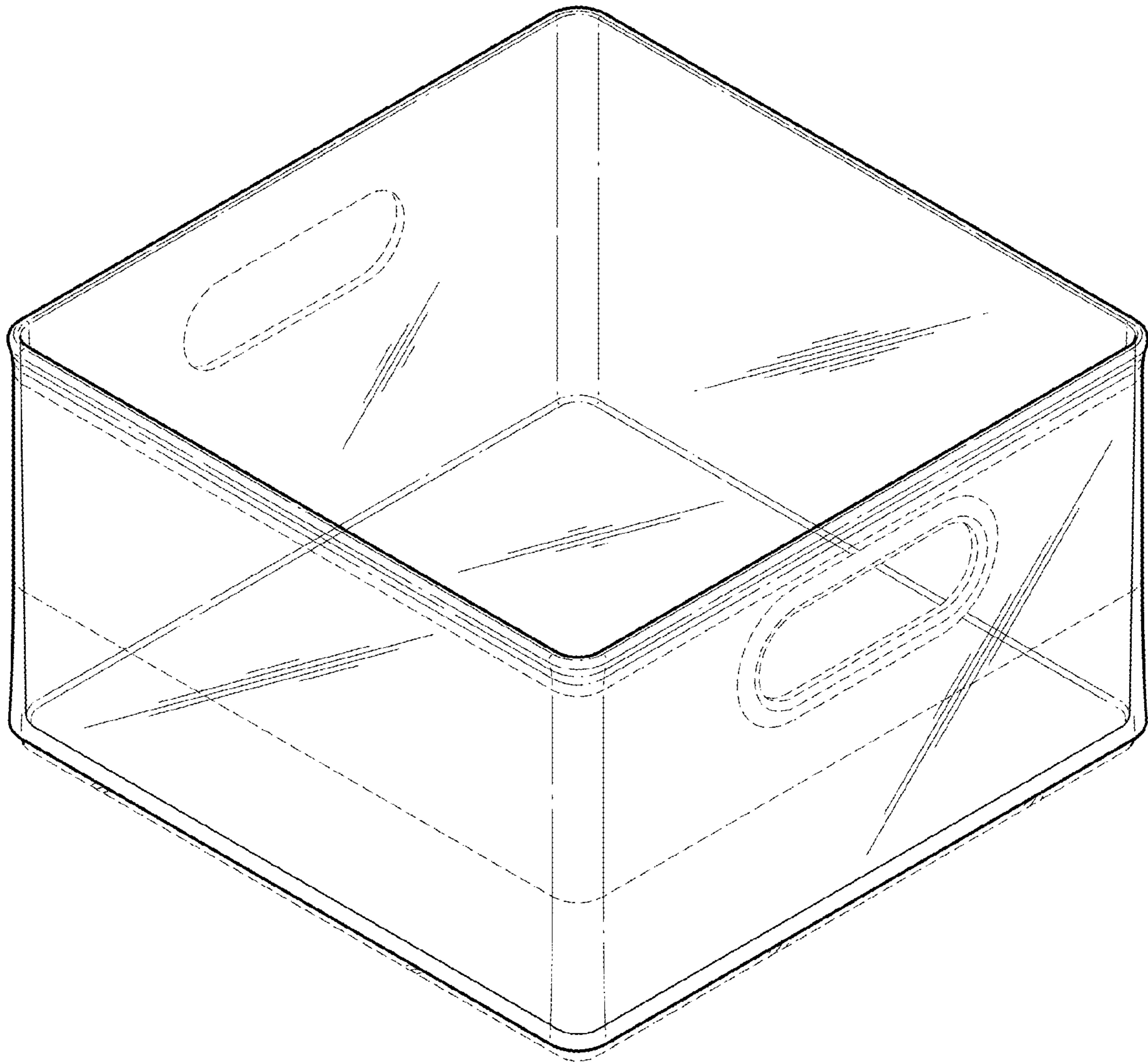


FIG. 1

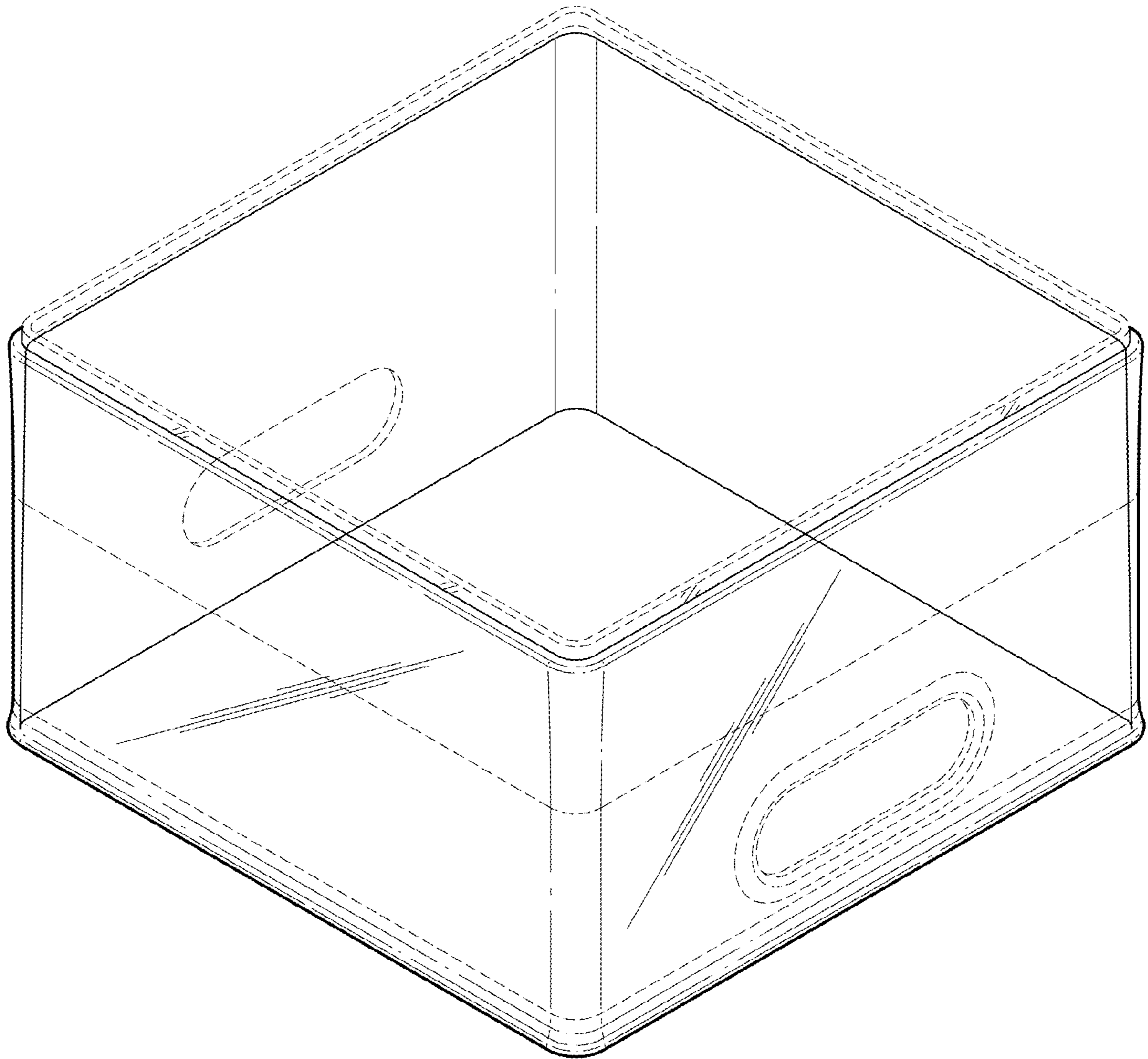


FIG. 2

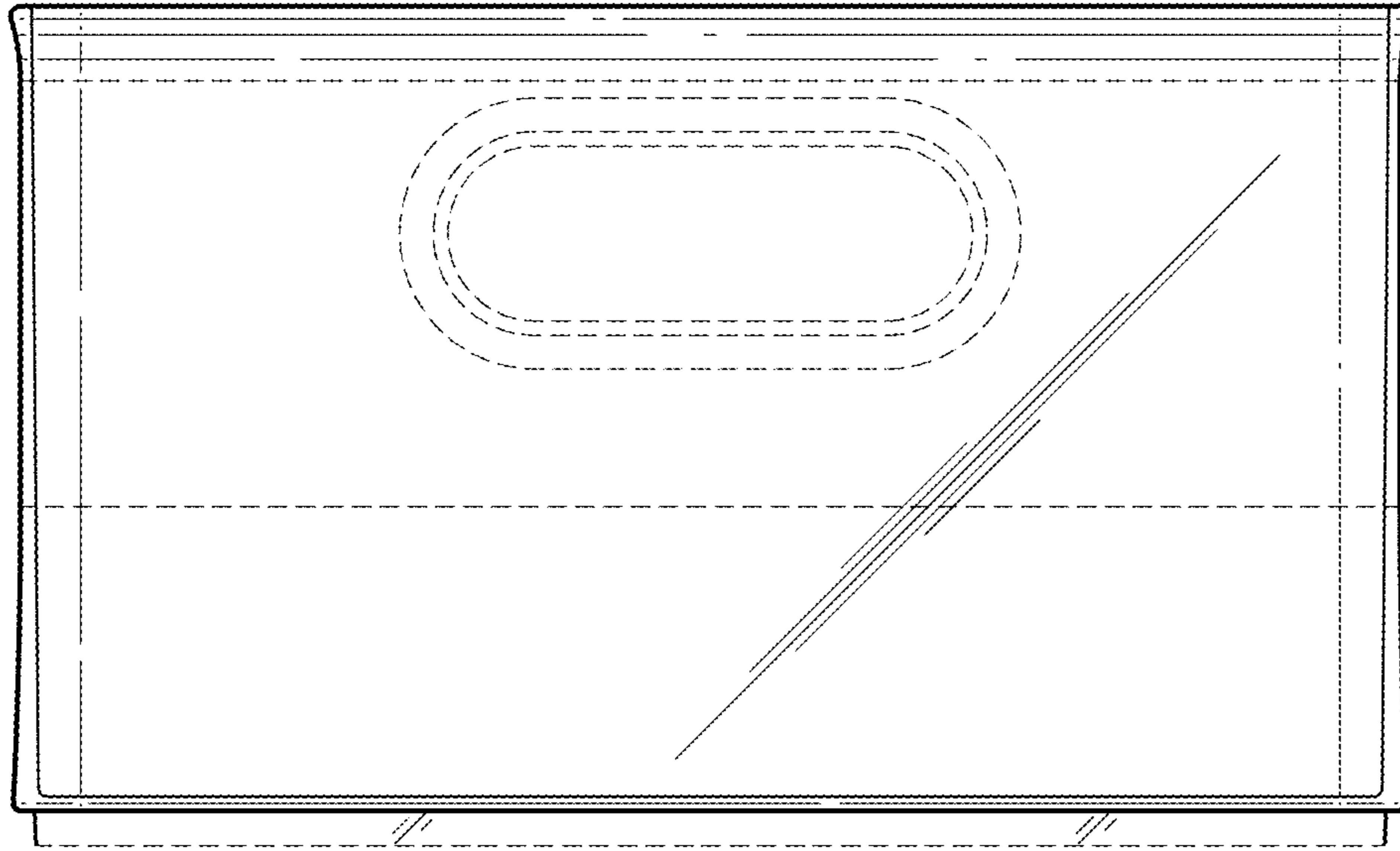


FIG. 3

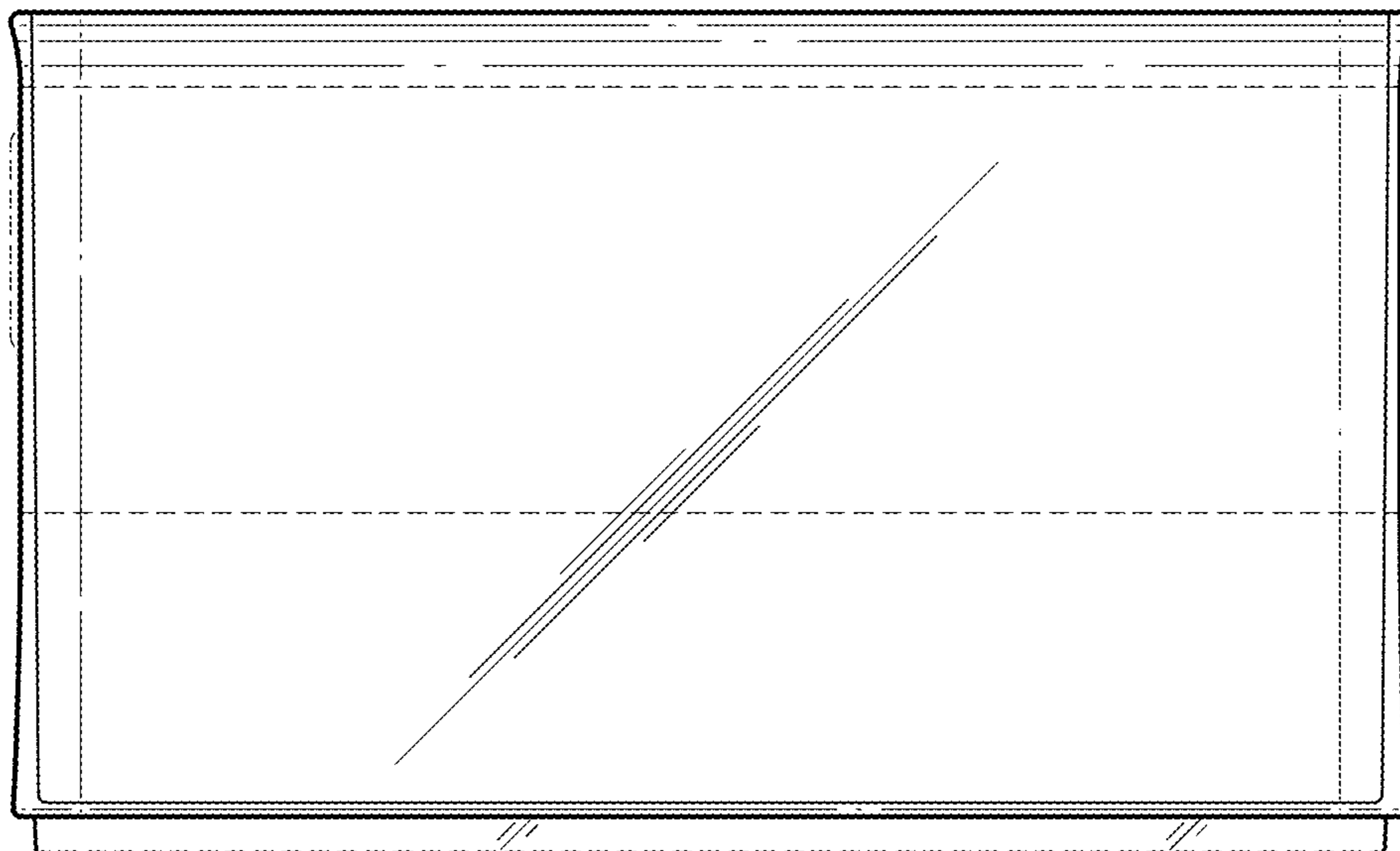


FIG. 4

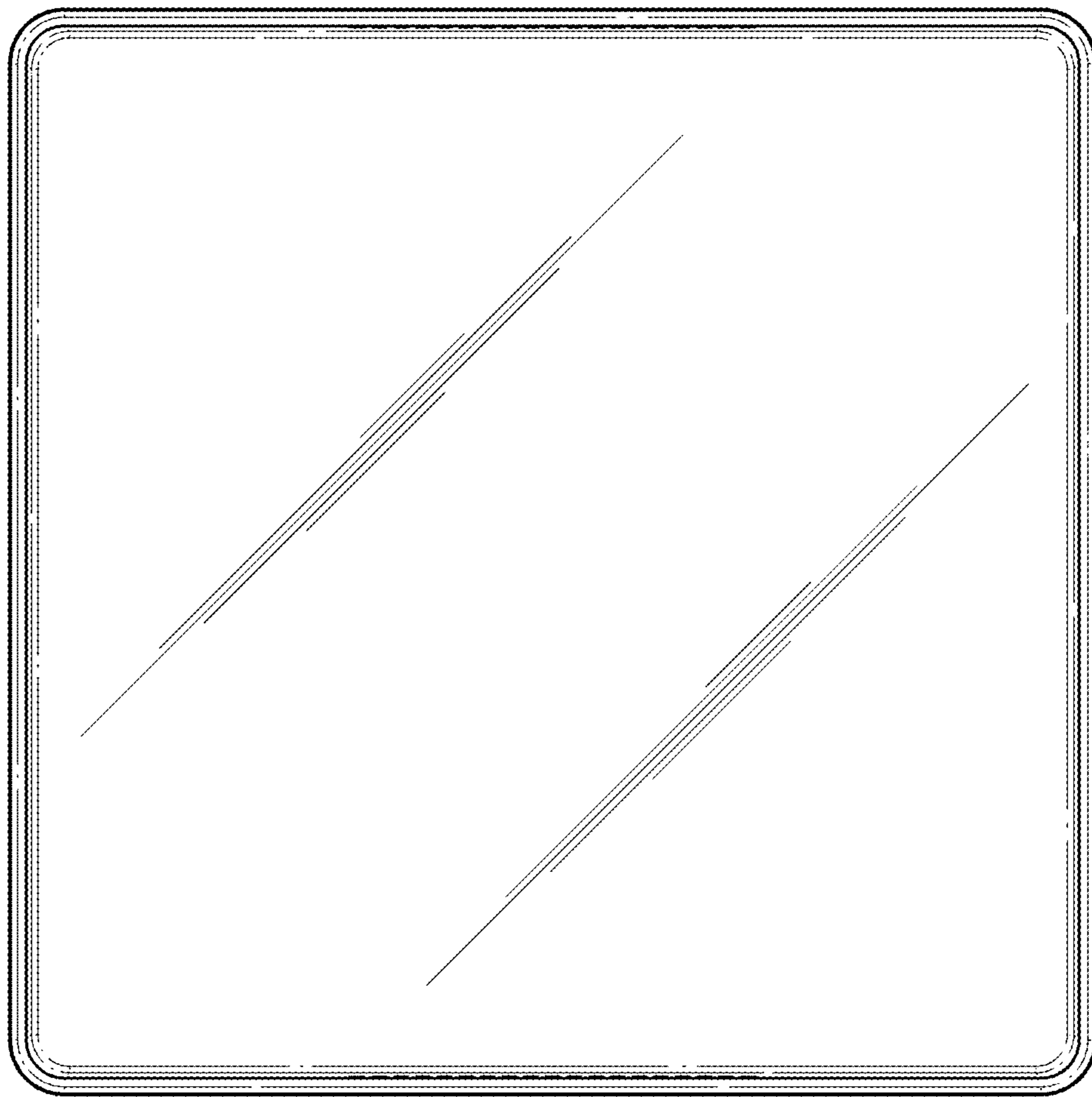


FIG. 5

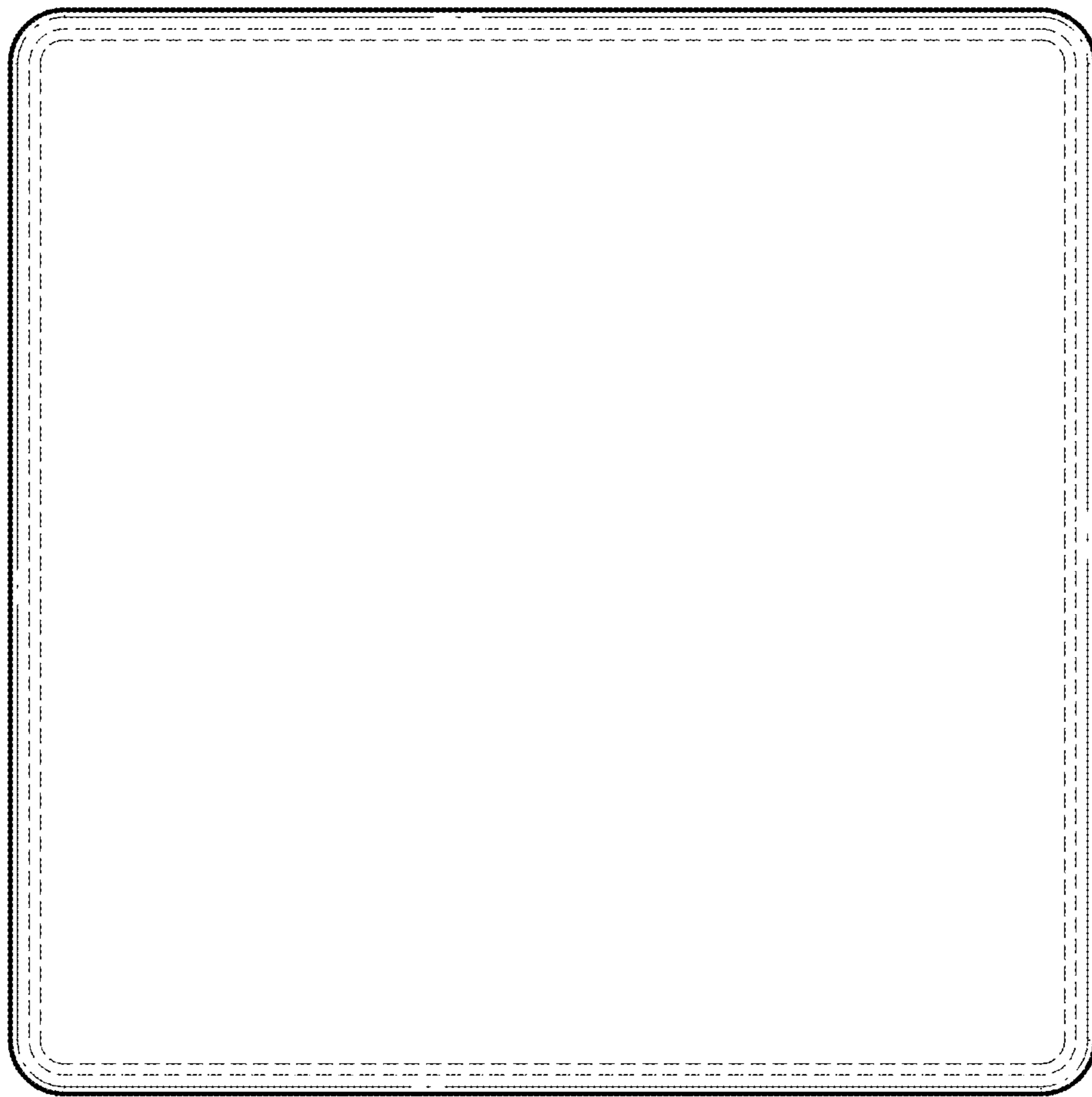


FIG. 6