



US00D961930S

(12) **United States Design Patent** (10) **Patent No.:** **US D961,930 S**
Song et al. (45) **Date of Patent:** **** Aug. 30, 2022**

(54) **FOLDING BOX**

(74) *Attorney, Agent, or Firm* — Egbert, McDaniel & Swartz, PLLC

(71) Applicants: **Won Seok Song**, Yongin-si (KR); **Jae Ho Song**, Yongin-si (KR); **Bo Kyoung Song**, Suwon-Si (KR)

(57) **CLAIM**

The ornamental design for a folding box, as shown and described.

(72) Inventors: **Won Seok Song**, Yongin-si (KR); **Jae Ho Song**, Yongin-si (KR); **Bo Kyoung Song**, Suwon-Si (KR)

DESCRIPTION

(**) Term: **15 Years**

- 1. Folding box
- 1.1 : Perspective
- 1.2: Front
- 1.3 : Back
- 1.4: Left
- 1.5 : Right
- 1.6: Top
- 1.7 : Bottom

(21) Appl. No.: **35/511,534**

(22) Filed: **Sep. 12, 2020**

Reproductions 1.1 to 1.7 are views of the folding box in a condition that the claimed design has been completely folded, with a binding ring closed.

(80) **Hague Agreement Data**

Int. Filing Date: **Sep. 12, 2020**

Int. Reg. No.: **DM/211375**

Int. Reg. Date: **Sep. 12, 2020**

Int. Reg. Pub. Date: **Mar. 12, 2021**

- 1.8 : Perspective
- 1.9 : Front
- 1.10 : Back
- 1.11 : Left
- 1.12 : Right
- 1.13: Top
- 1.14: Bottom

(30) **Foreign Application Priority Data**

Sep. 9, 2020 (KR) 30-2020-0042782

Reproductions 1.8 to 1.14 are views of the folding box in a condition that the claimed design has been completely unfolded with a binding ring closed.

(51) **LOC (13) Cl.** **09-03**

(52) **U.S. Cl.**
USPC **D3/305**

(58) **Field of Classification Search**
USPC D3/272, 304-321, 901-902; D6/672, D6/673, 675, 675.1, 683, 683.1; D7/600, D7/600.1

- 1.15 : Perspective
- 1.16 : Front
- 1.17 : Back
- 1.18 : Left
- 1.19 : Right
- 1.20: Top
- 1.21 : Bottom

(Continued)

Reproductions 1.15 to 1.21 are views of the folding box in a condition that the claimed design has been completely folded with a binding ring opened.

(56) **References Cited**

U.S. PATENT DOCUMENTS

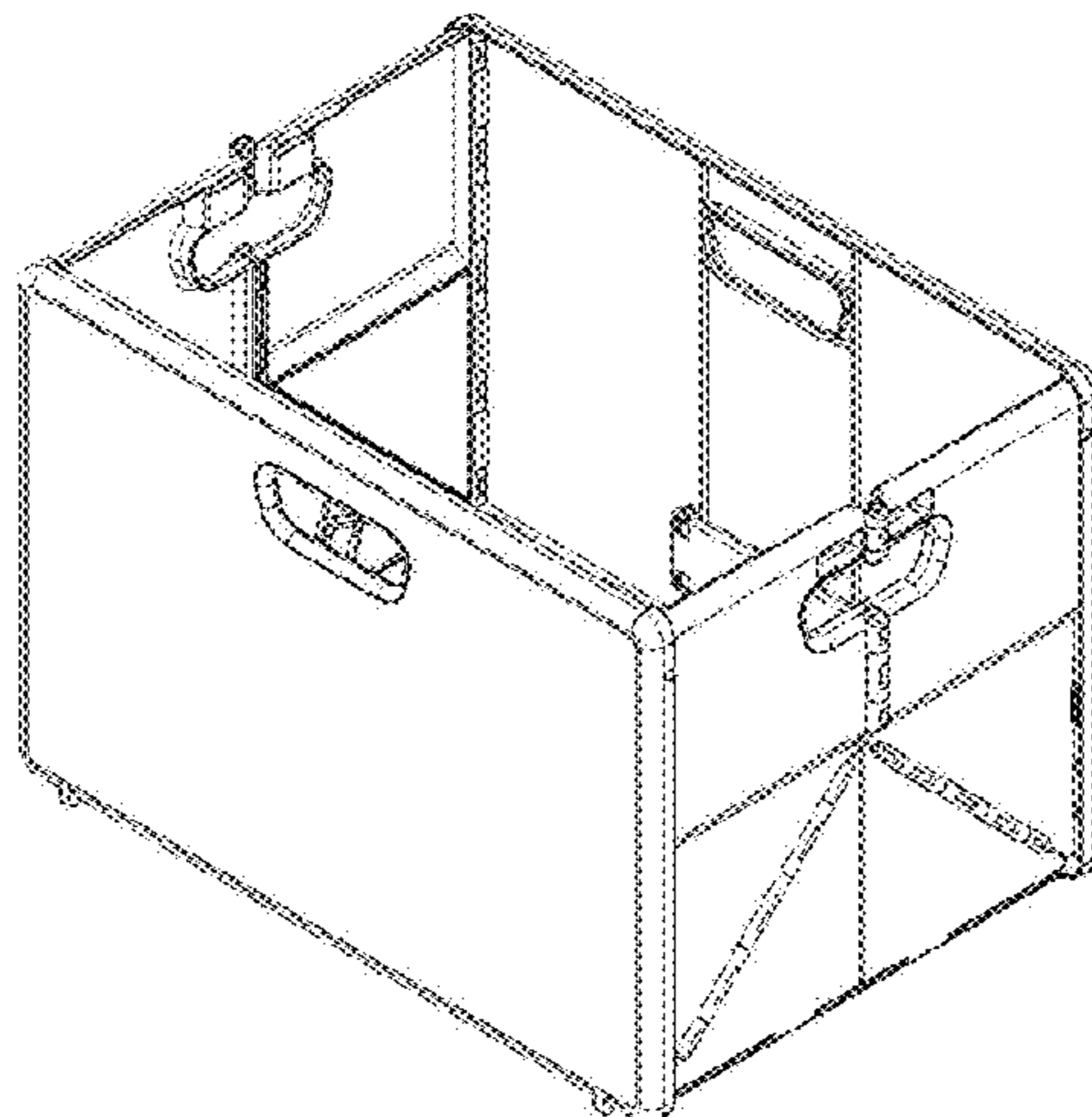
2,728,485 A * 12/1955 Howard B65D 71/0014
229/199

D345,847 S * 4/1994 Schuchard D3/305
(Continued)

- 1.22 : Perspective
- 1.23 : Front
- 1.24 : Back
- 1.25 : Left

Primary Examiner — Richard E Chilcot

(Continued)



1.26 : Right

1.27: Top

1.28 : Bottom

Reproductions **1.22** to **1.28** are views of the folding box in a condition that the claimed design has been completely unfolded with a binding ring opened.

1 Claim, 28 Drawing Sheets

(52) U.S. Cl.

CPC **B65D 1/00** (2013.01)

(58) Field of Classification Search

CPC ... B65D 1/00; B65D 1/22; B65D 1/24; B65D 1/34; B65D 1/36; B65D 1/38; B65D 1/225; B65D 1/243; B65D 5/00; B65D 5/42; B65D 7/14; B65D 11/00; B65D 11/14; B65D 11/20; B65D 19/00; B65D 19/02; B65D 21/00; B65D 21/02; B65D 43/162; B65D 71/0003; B65D 81/3813; B65D 81/02; B65D 2543/00194; B65D 2543/00296; B65D 2543/00222

See application file for complete search history.

(56) References Cited

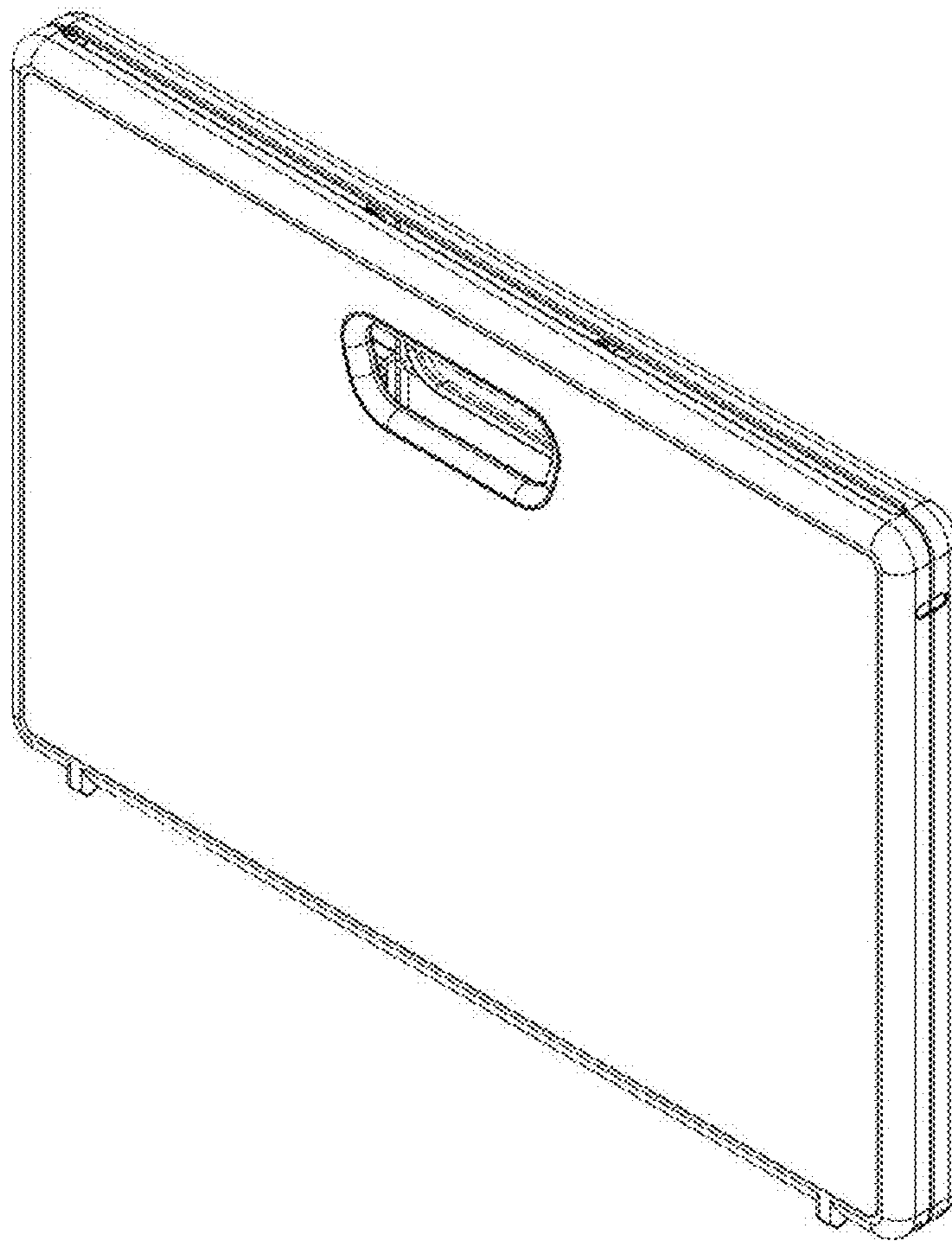
U.S. PATENT DOCUMENTS

D348,781 S * 7/1994 Asner D3/305
 D370,344 S * 6/1996 Kim D3/312

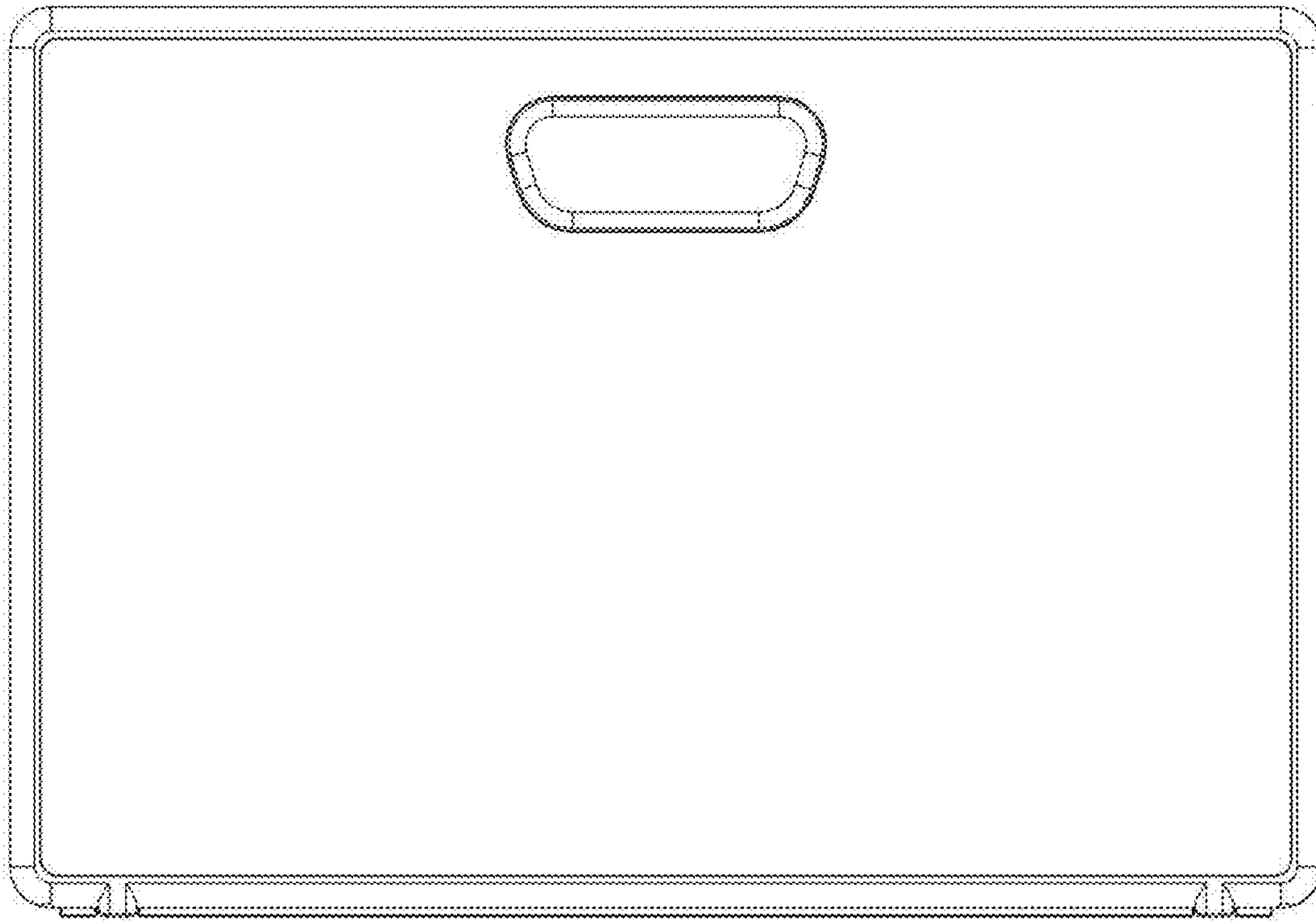
D381,513 S * 7/1997 Brauner D3/305
 D423,217 S * 4/2000 Varfeldt D3/307
 D446,392 S * 8/2001 Overholt B65D 21/0213
 D3/307
 D487,347 S * 3/2004 Felsenthal D3/305
 D600,018 S * 9/2009 Cope D3/305
 D600,019 S * 9/2009 Cope D3/305
 D600,020 S * 9/2009 Cope D3/305
 7,641,066 B2 * 1/2010 Baltz B65D 11/1833
 220/6
 H2235 H * 4/2010 Manounian D3/305
 D663,121 S * 7/2012 Barth D3/304
 D670,081 S * 11/2012 Orgeldinger D3/307
 D684,368 S * 6/2013 Stolzman D3/304
 D689,694 S * 9/2013 Barth B65D 11/184
 D3/305
 D796,202 S * 9/2017 Ranco D3/304
 D801,686 S * 11/2017 Park D3/305
 D801,687 S * 11/2017 Holland D3/309
 D805,777 S * 12/2017 Wei D3/305
 D810,439 S * 2/2018 Martin Tellez D3/314
 D816,997 S * 5/2018 Turner D3/304
 D841,328 S * 2/2019 Wilcox D3/304
 D844,988 S * 4/2019 Reinhart D3/305
 D847,509 S * 5/2019 Quinn D3/305
 D859,836 S * 9/2019 Ritzberger D3/309
 D900,472 S * 11/2020 Durham D3/304
 D919,972 S * 5/2021 Hsu D3/305
 D930,985 S * 9/2021 Lu D3/305
 D933,364 S * 10/2021 Chen D3/305
 2004/0084350 A1 * 5/2004 Kim B65D 5/4208
 206/736
 2017/0137175 A1 * 5/2017 Park B65D 25/30

* cited by examiner

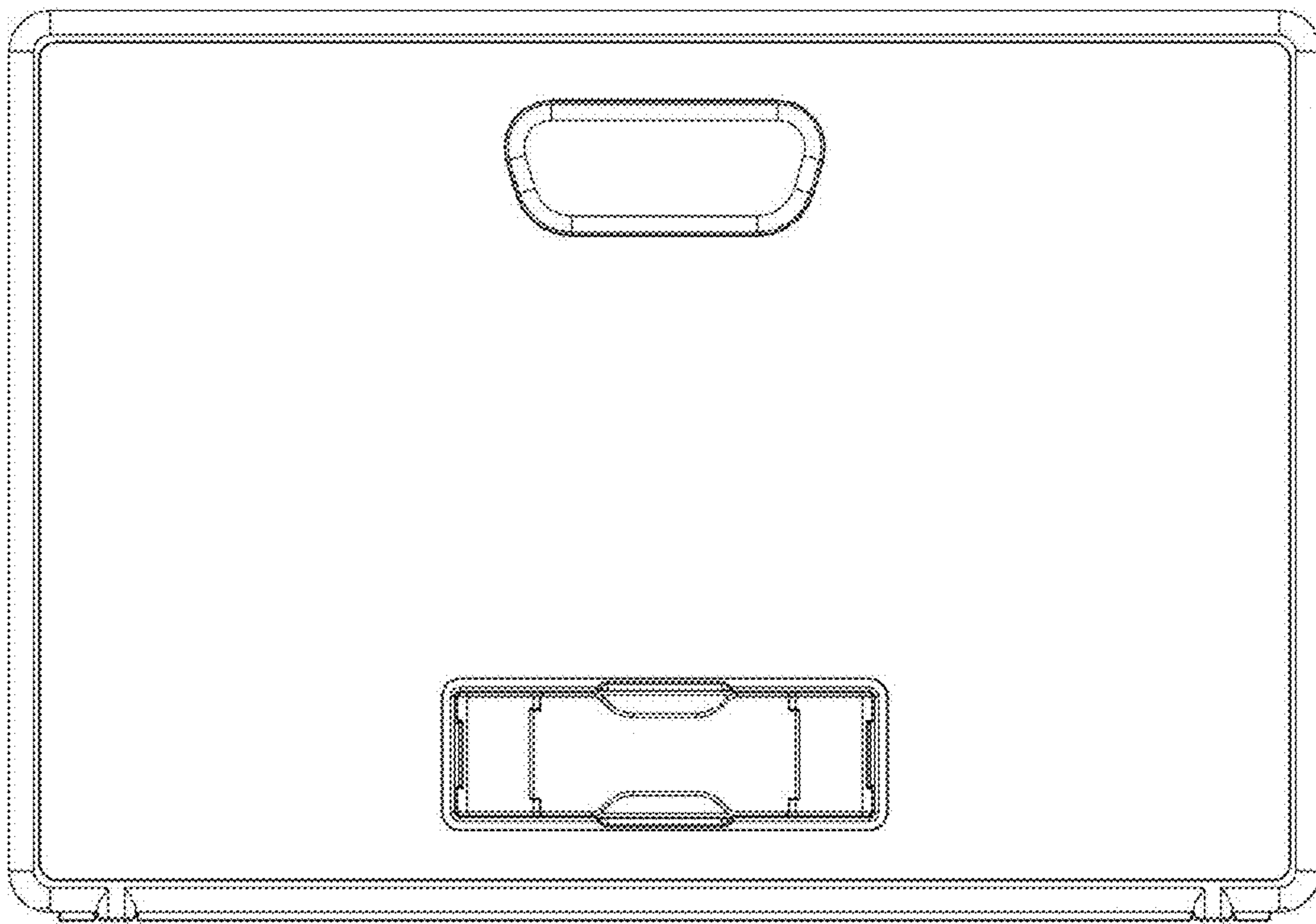
1.1



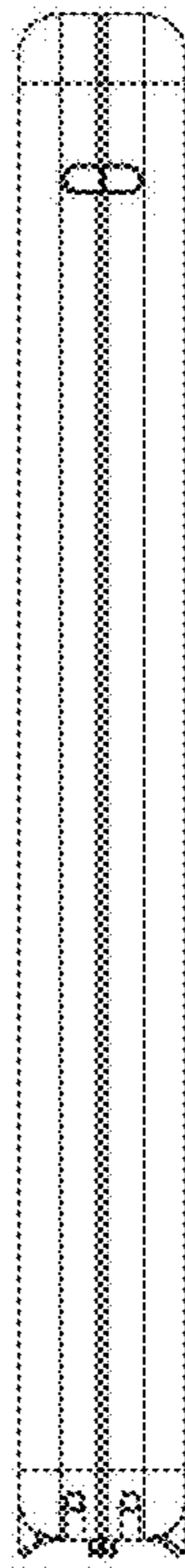
1.2



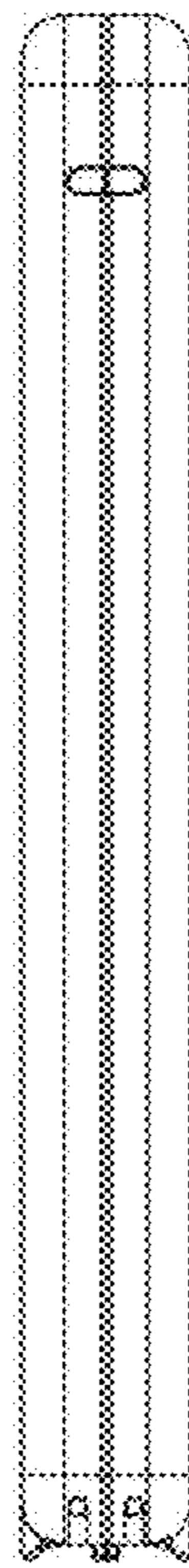
1.3



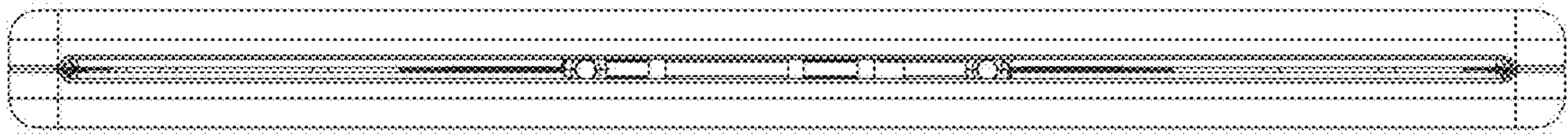
1.4



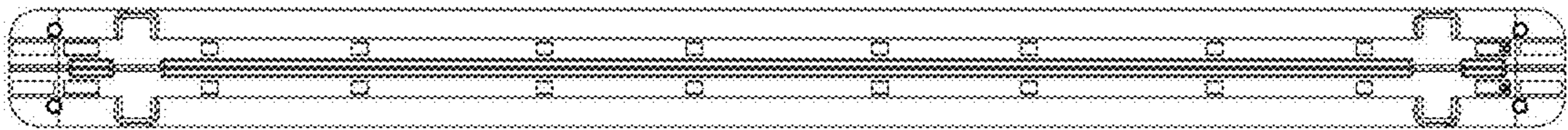
1.5



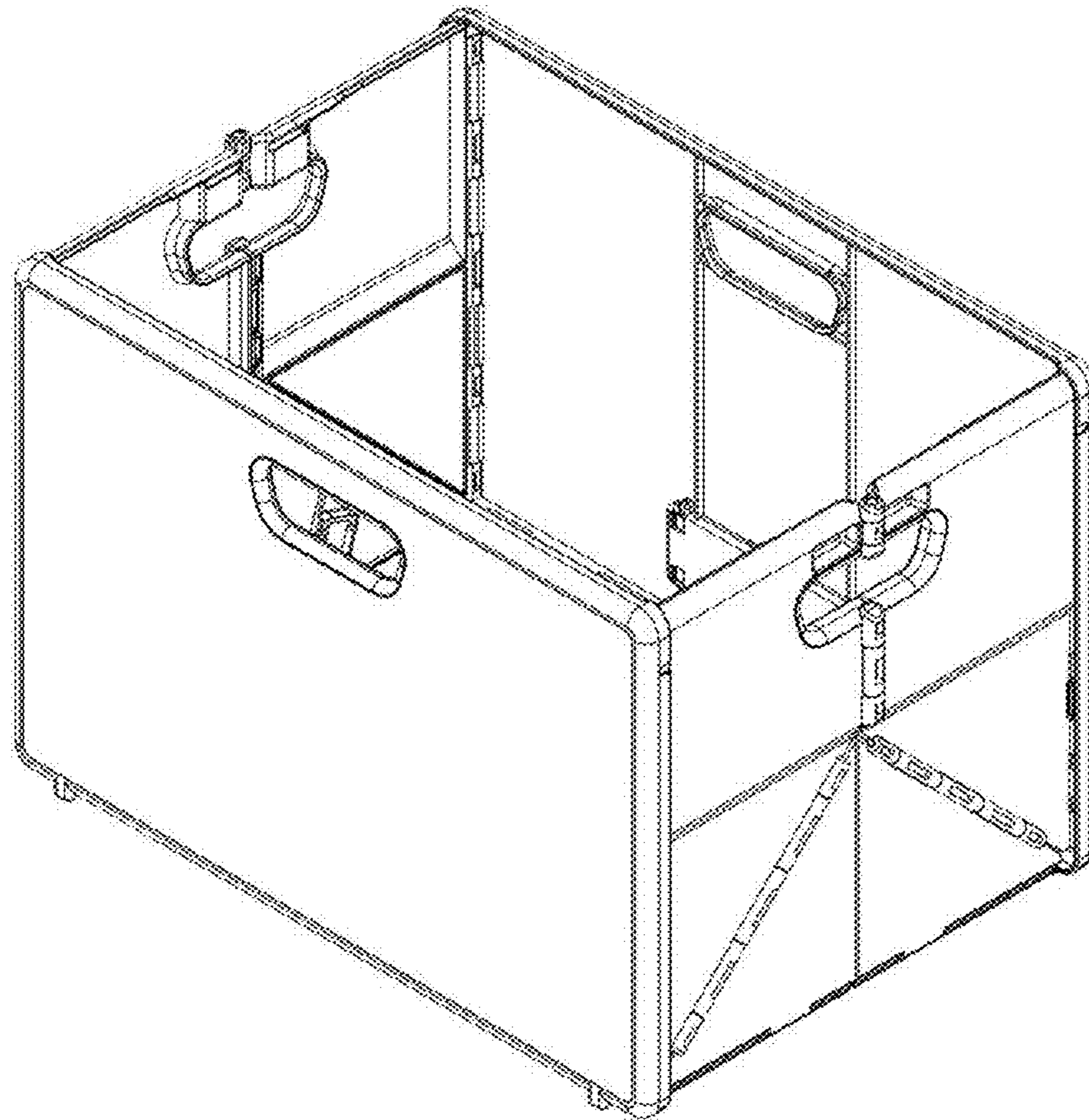
1.6



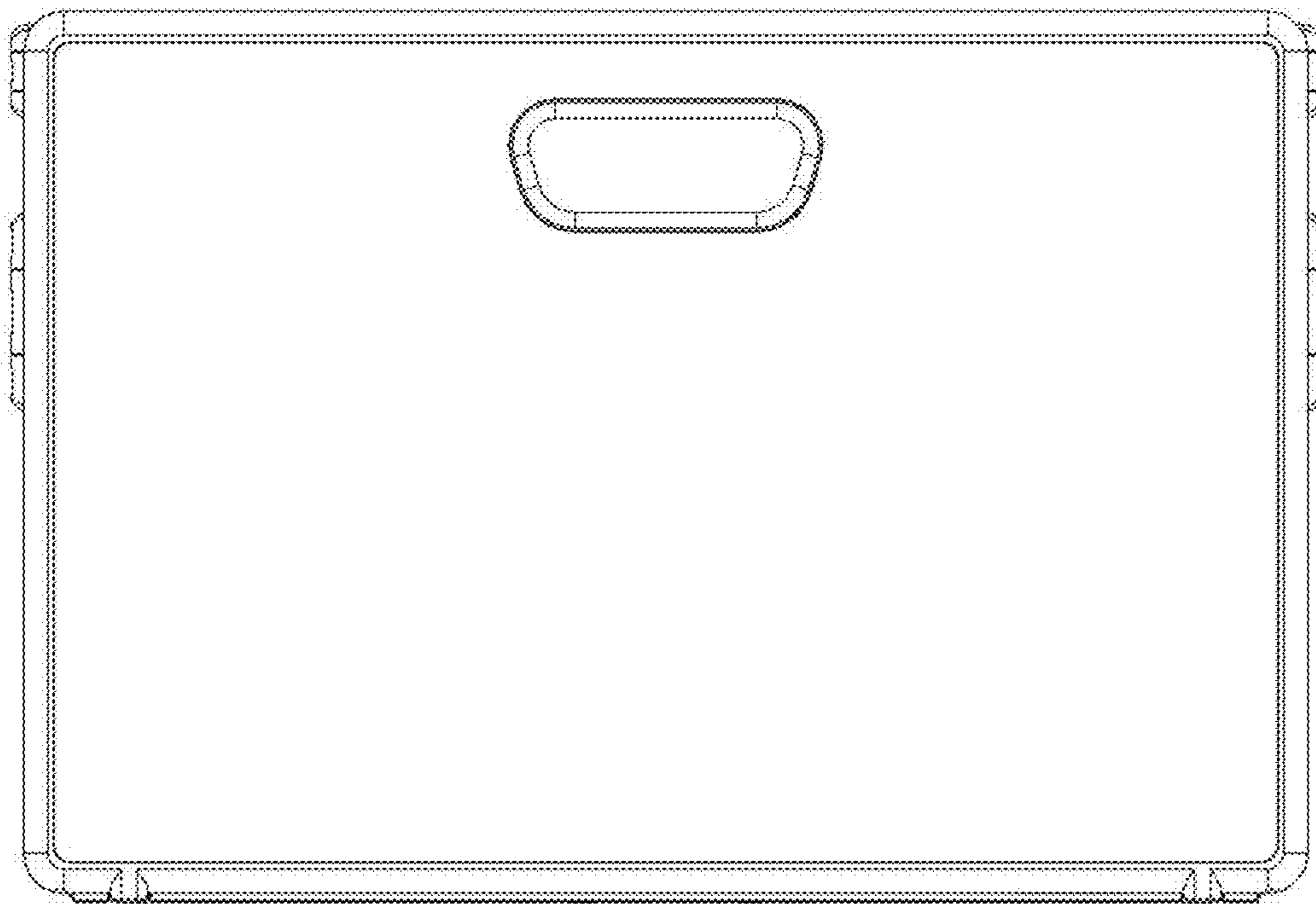
1.7



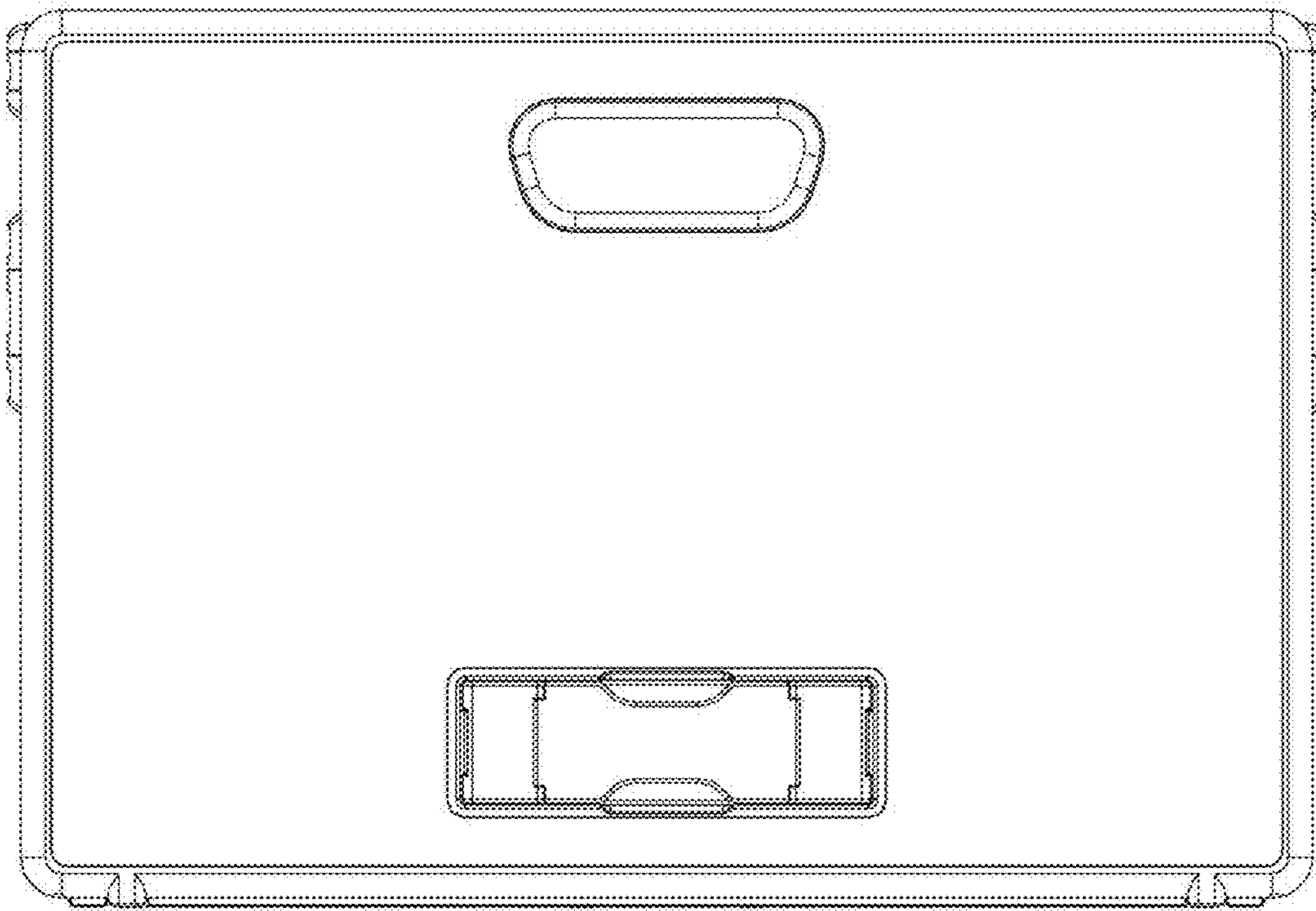
1.8



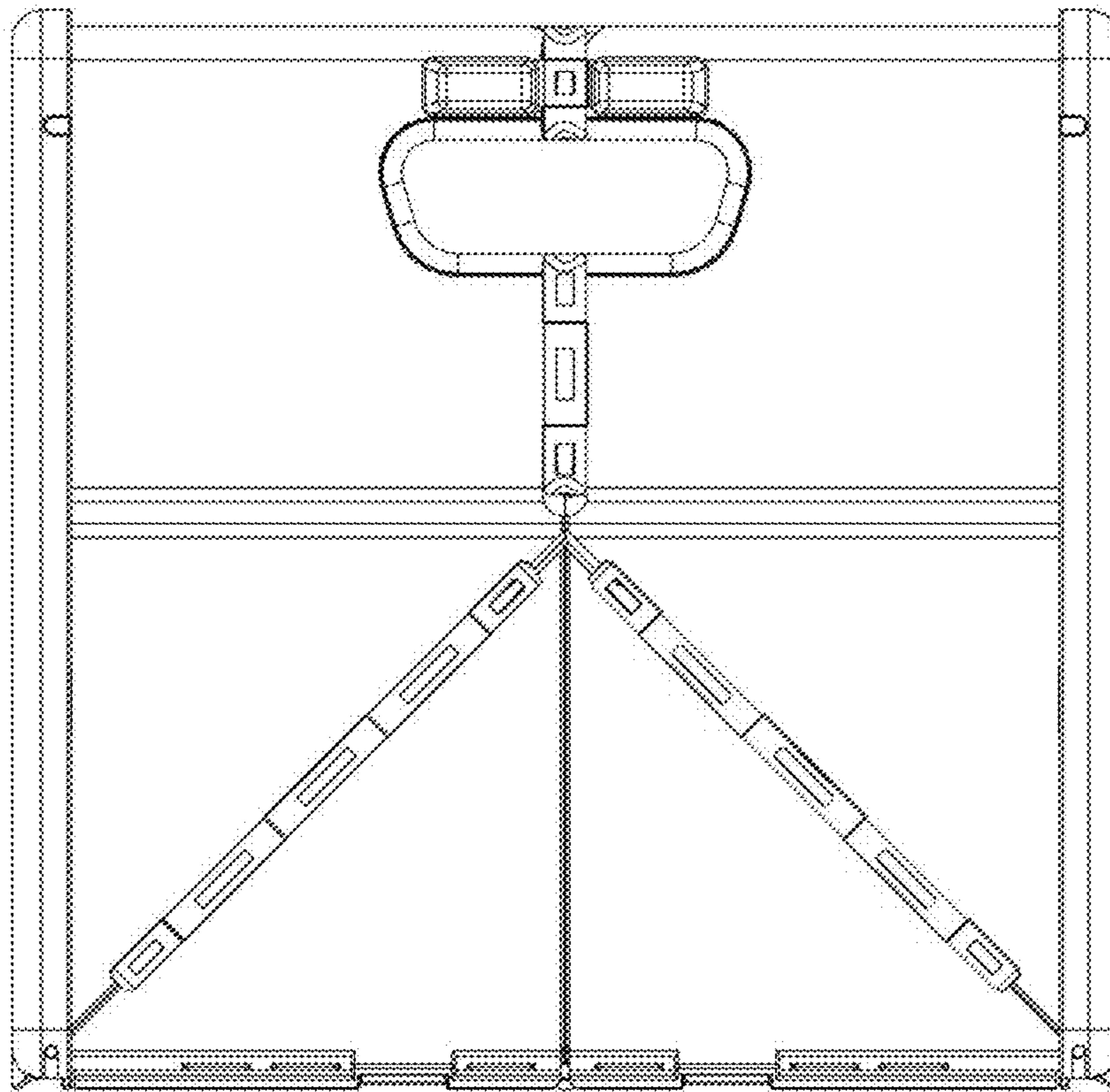
1.9



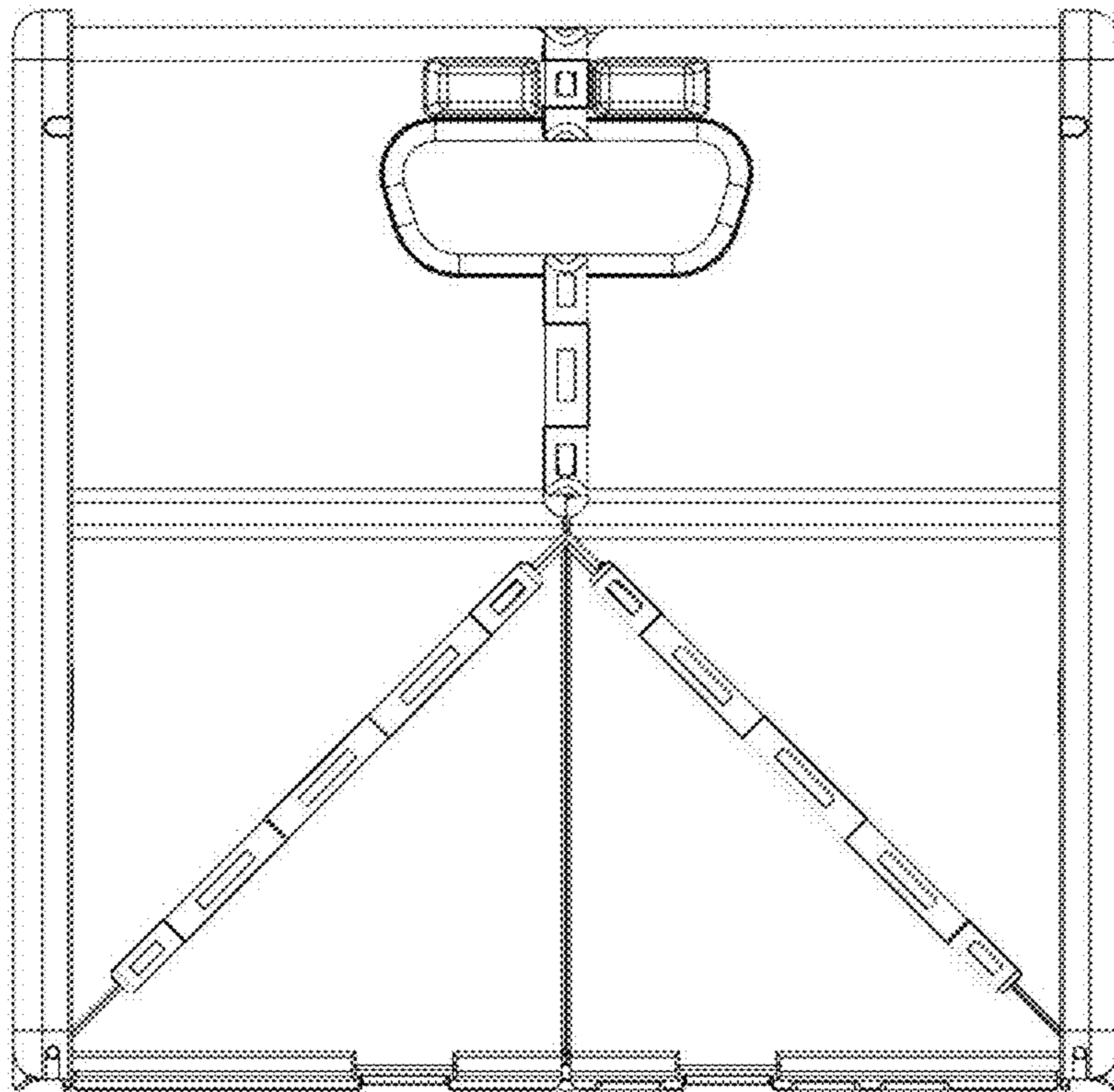
1.10



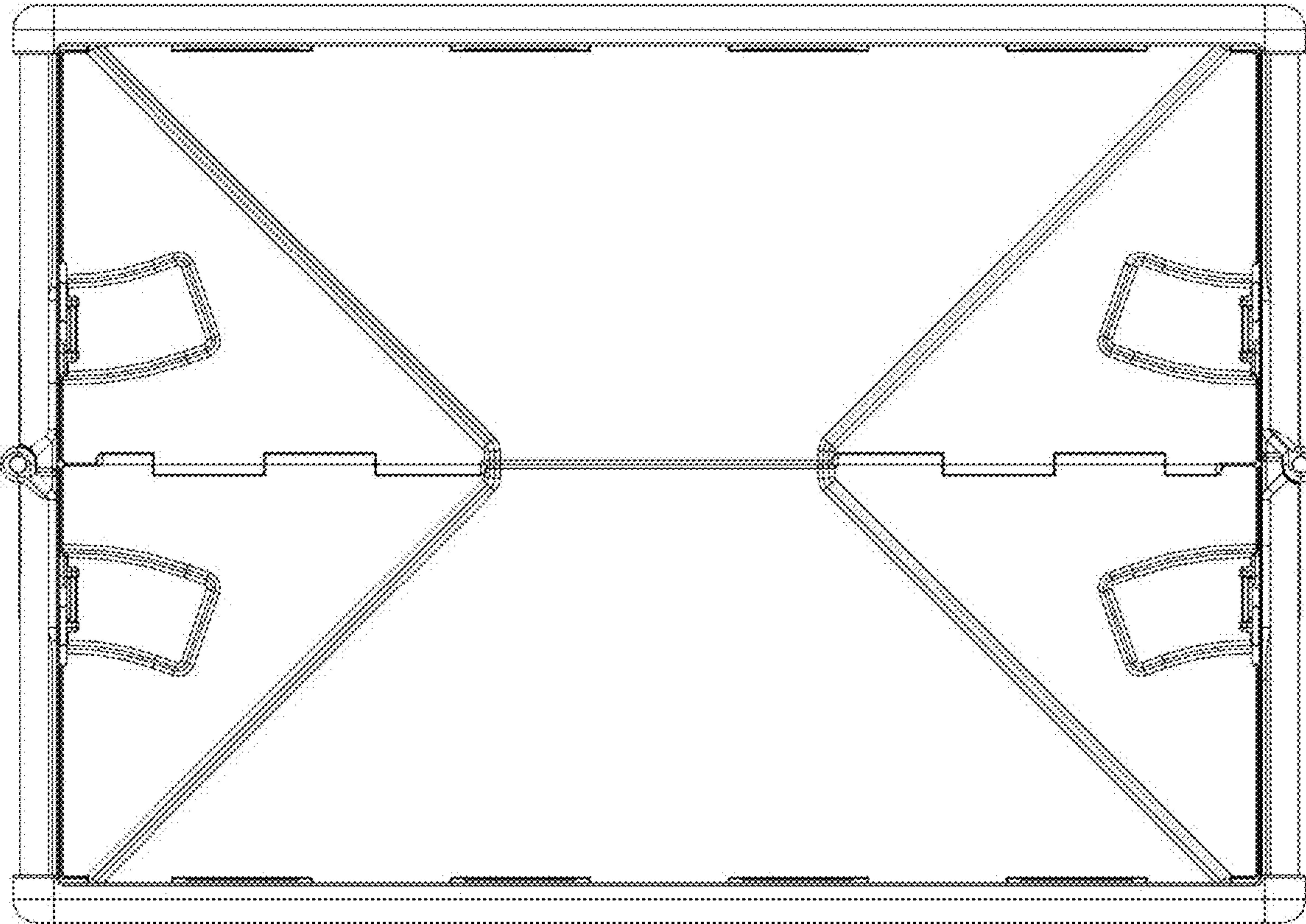
1.11



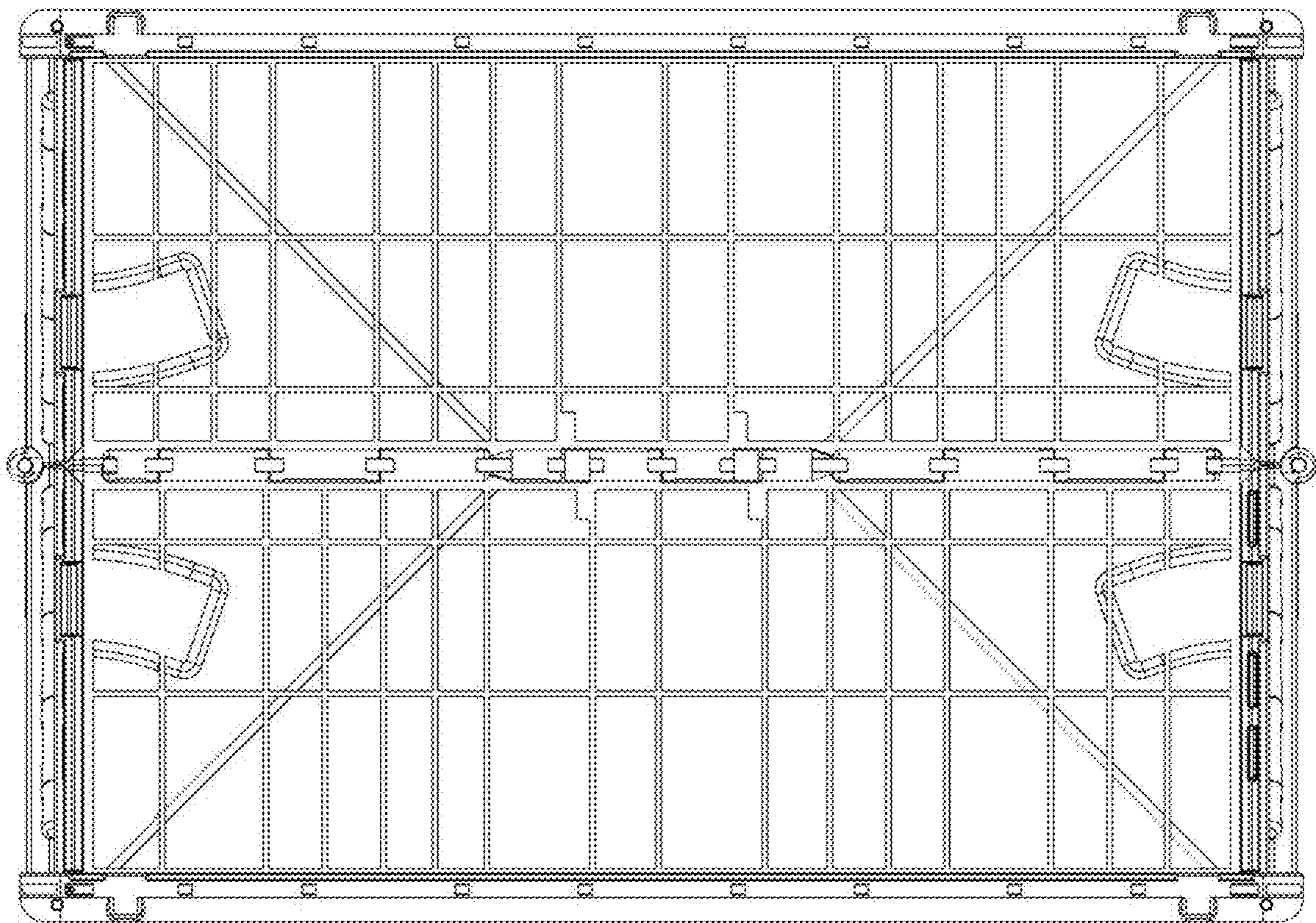
1.12



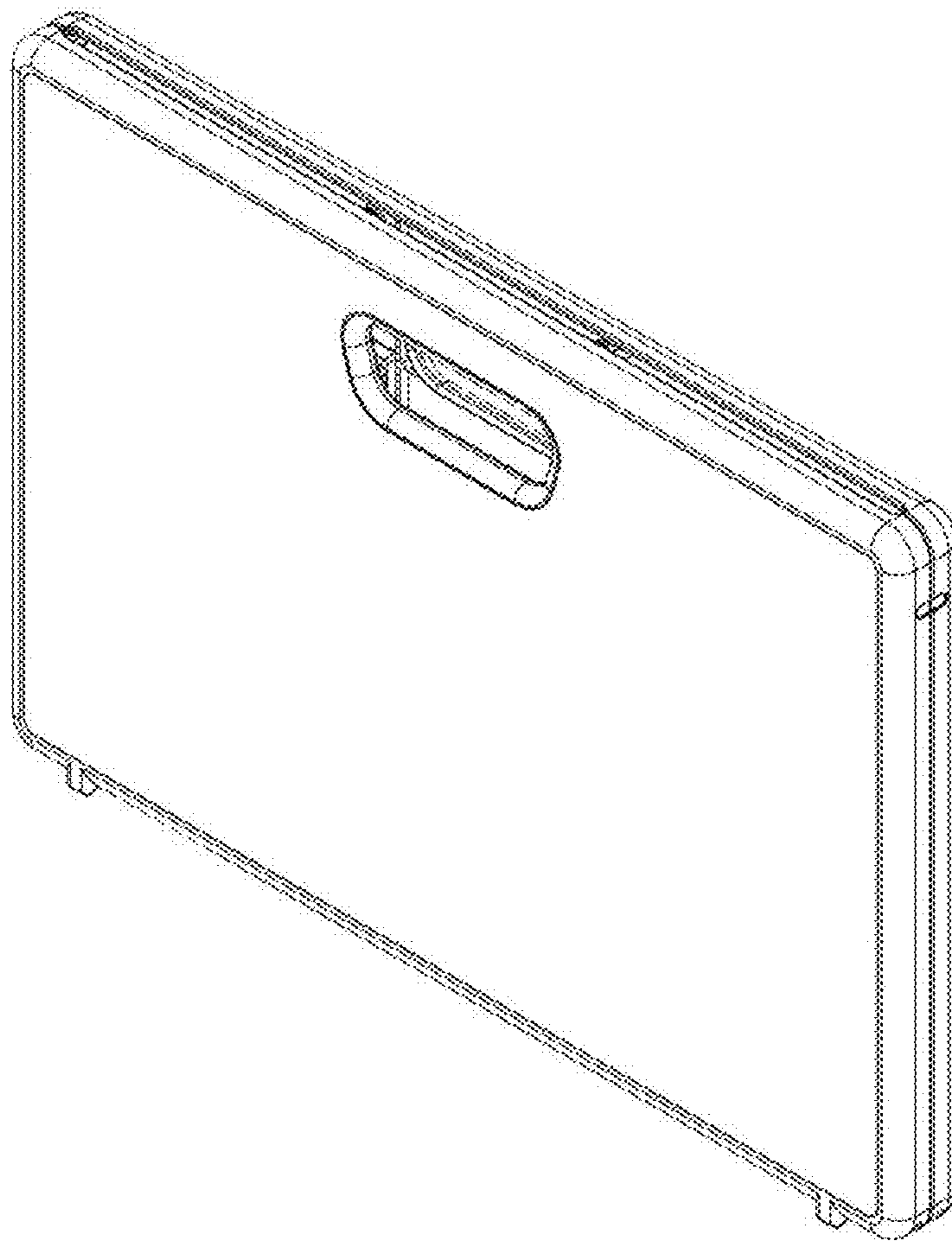
1.13



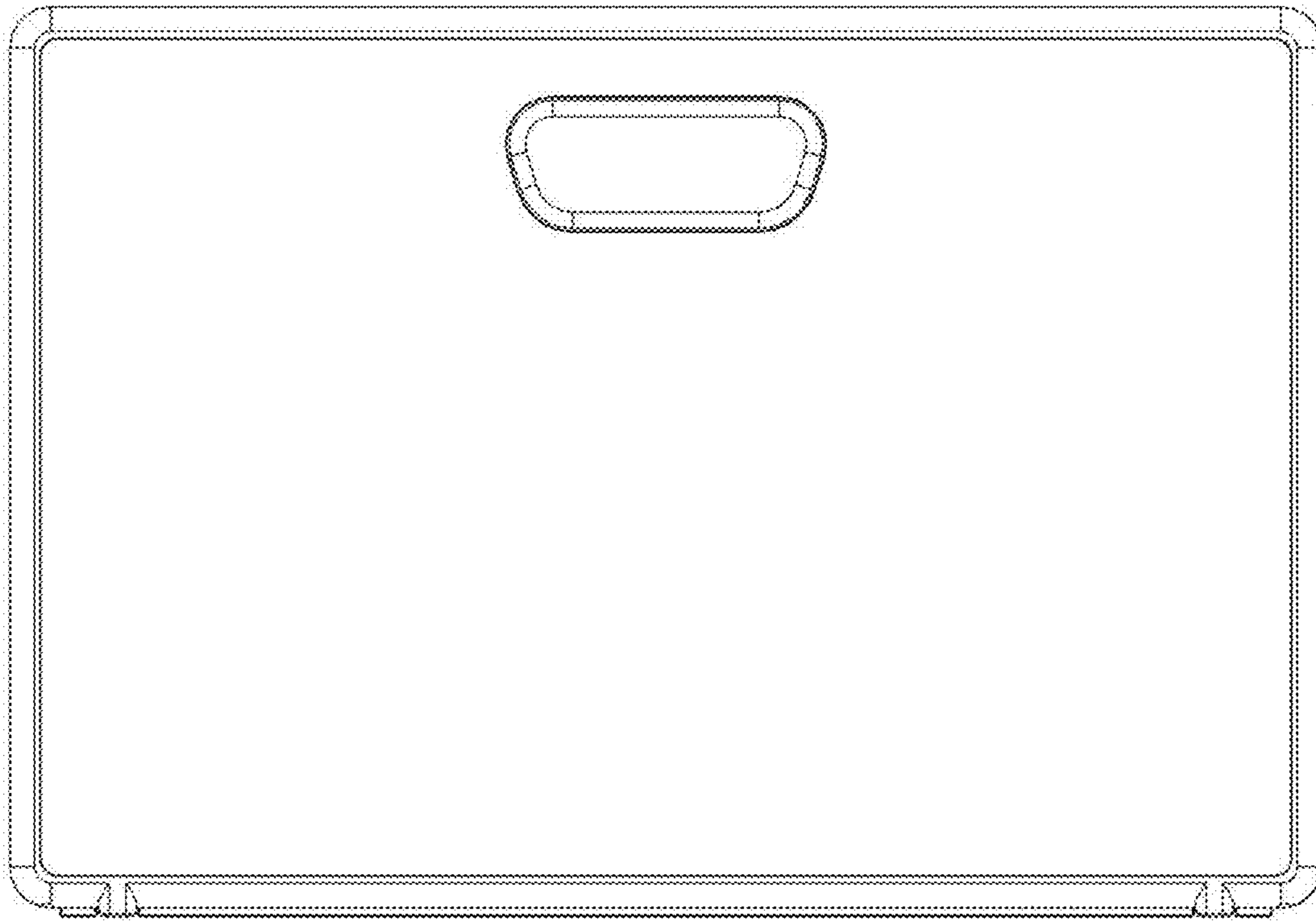
1.14



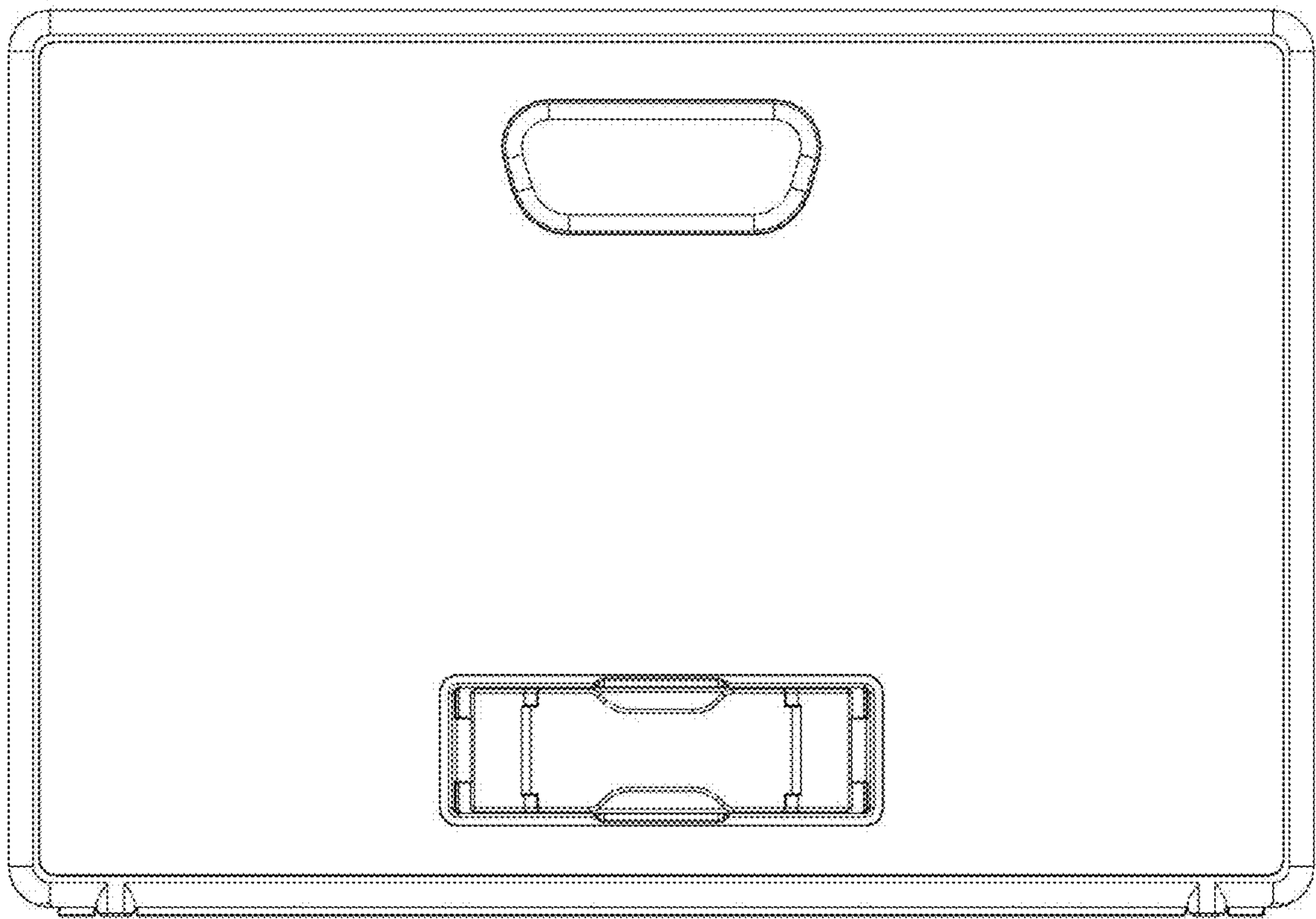
1.15



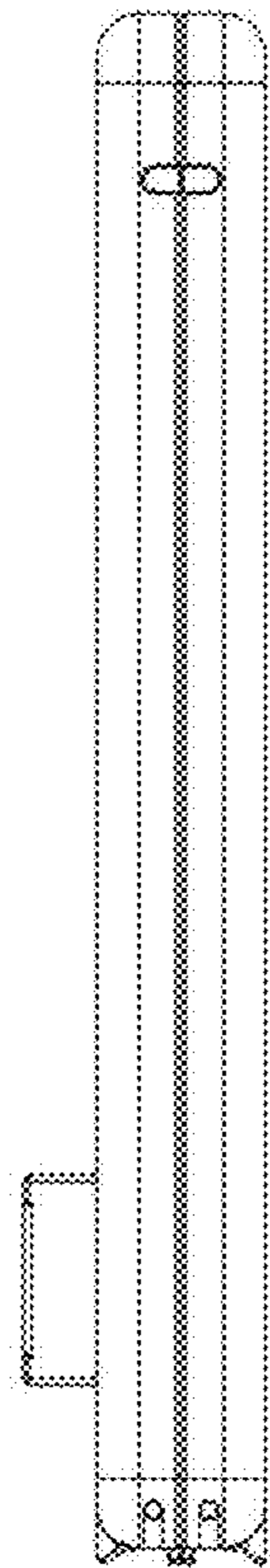
1.16



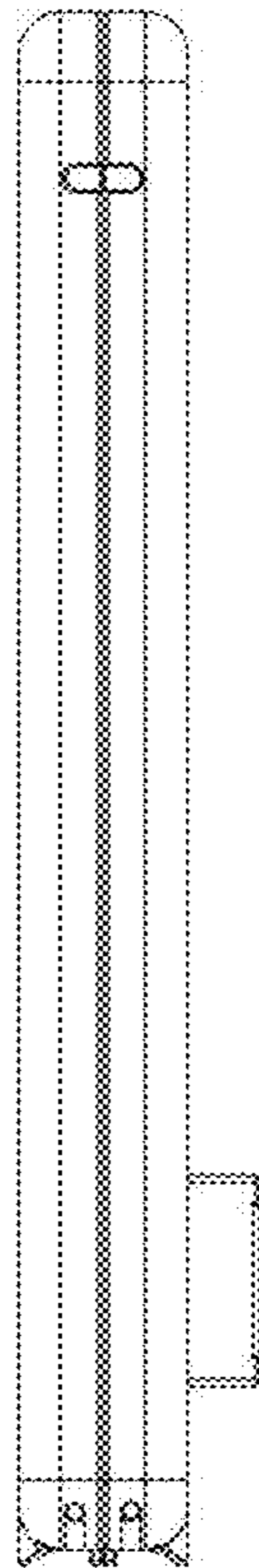
1.17



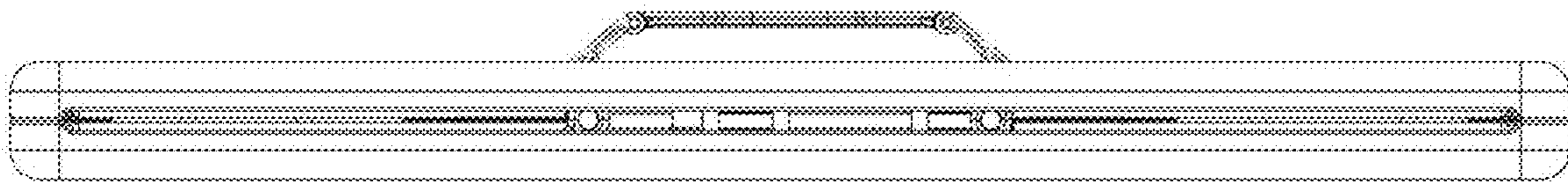
1.18



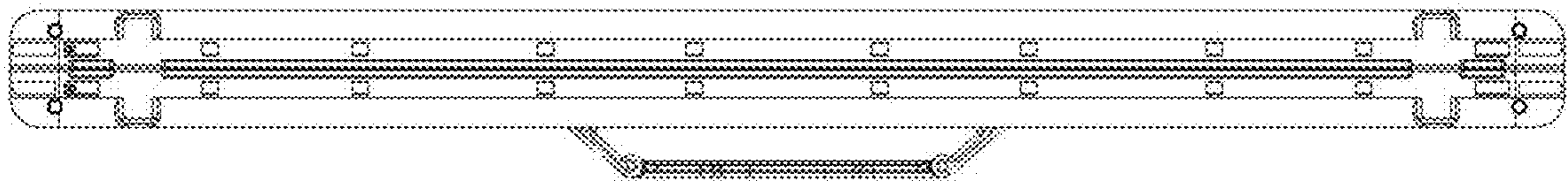
1.19



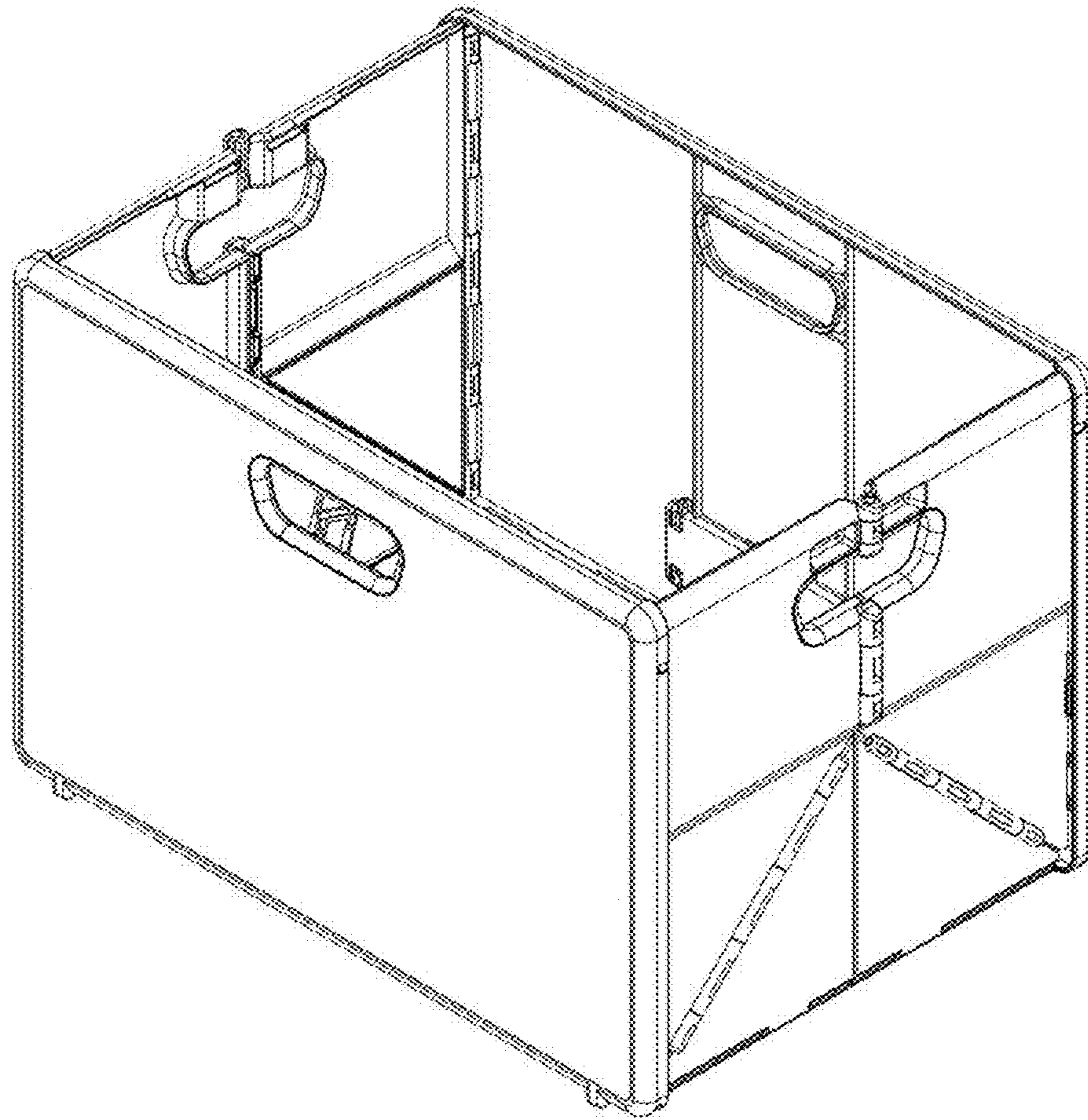
1.20



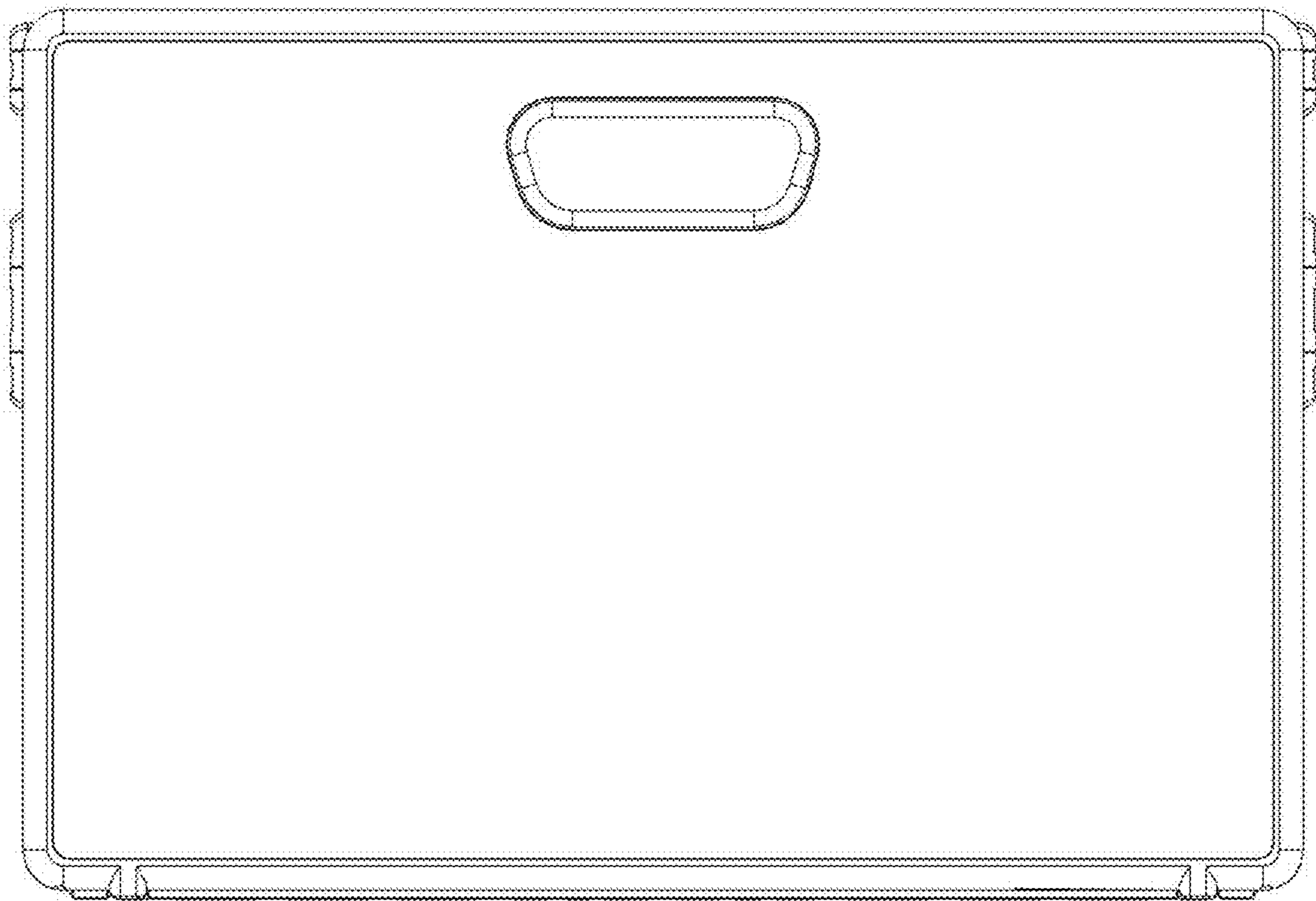
1.21



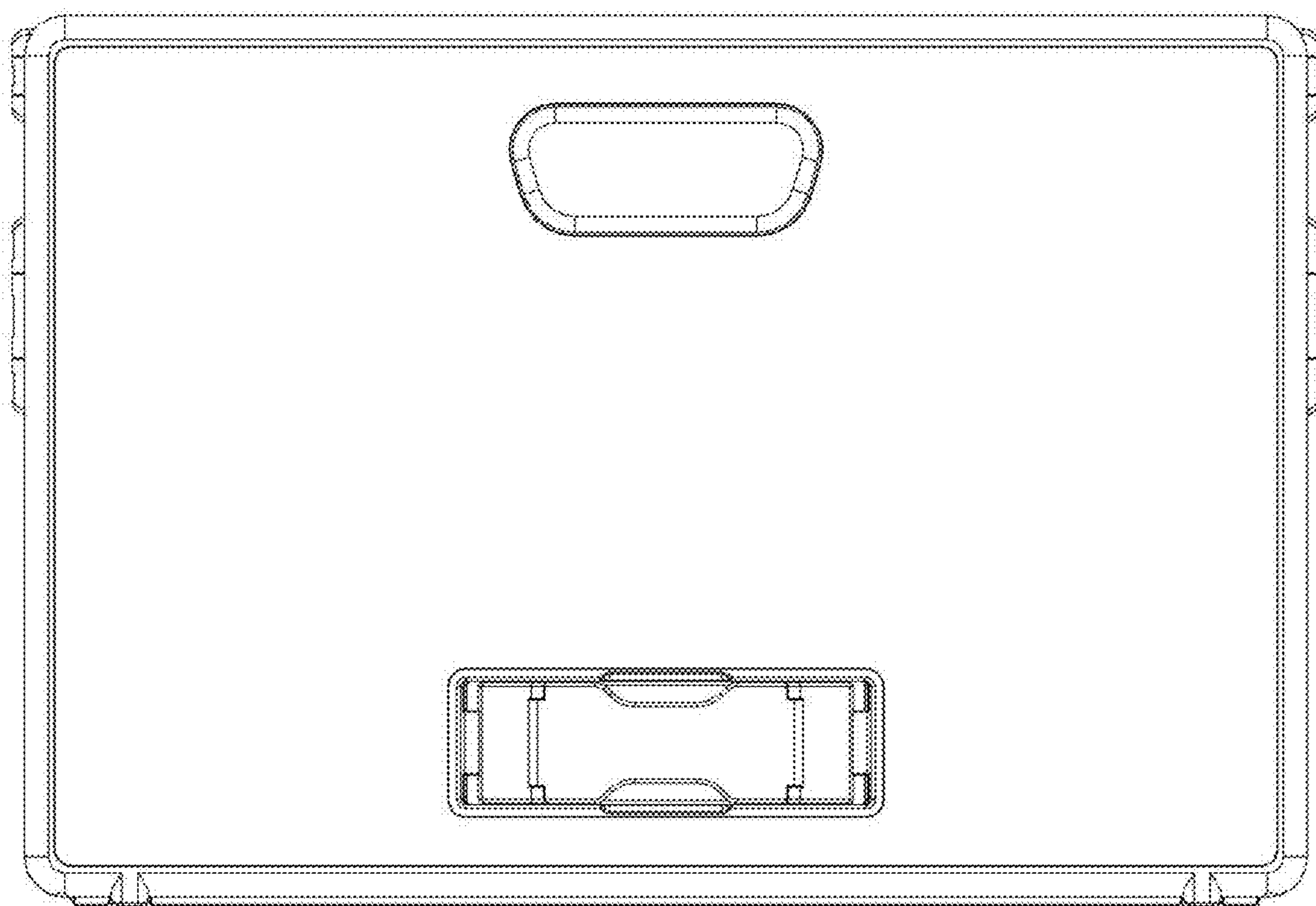
1.22



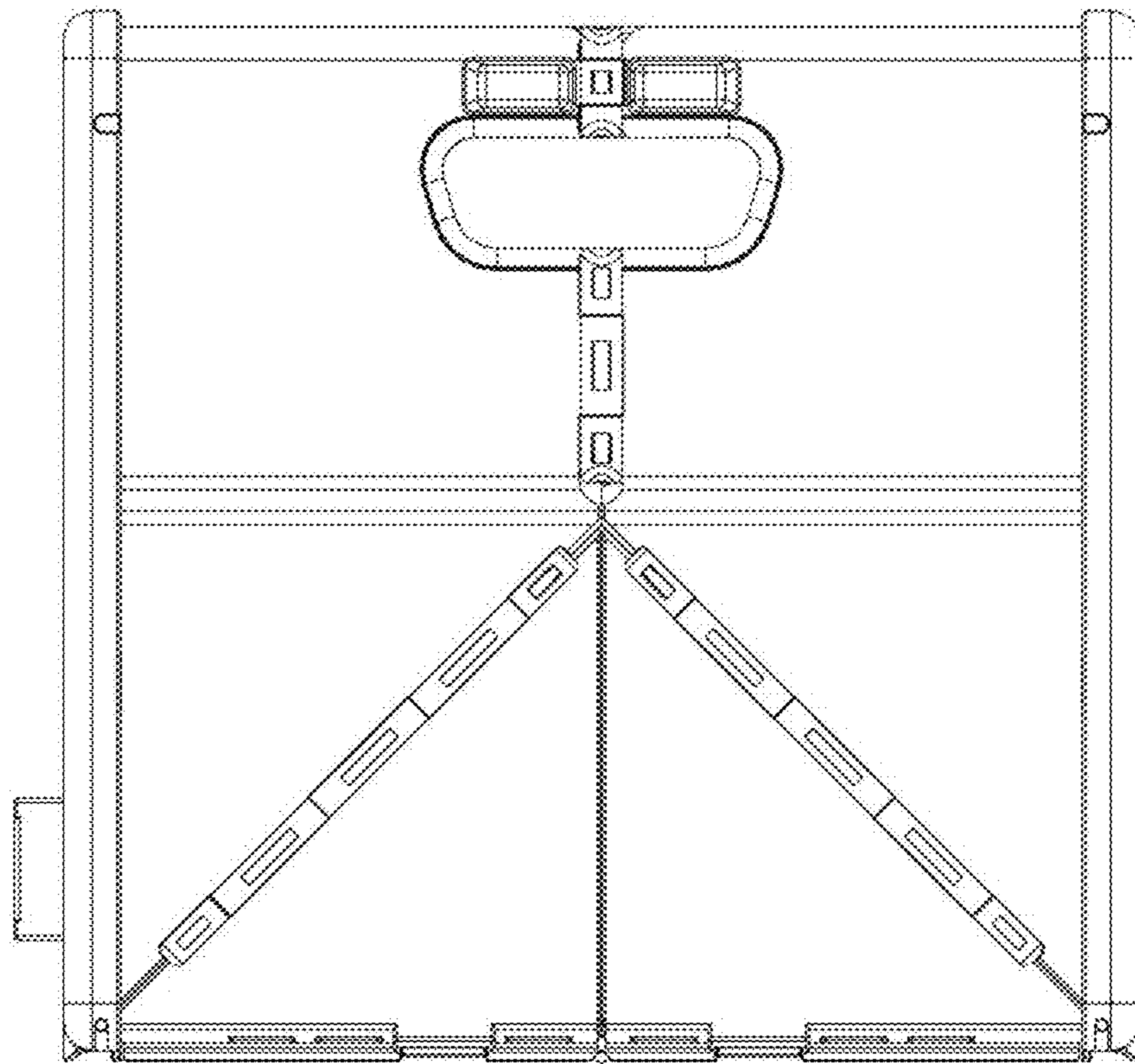
1.23



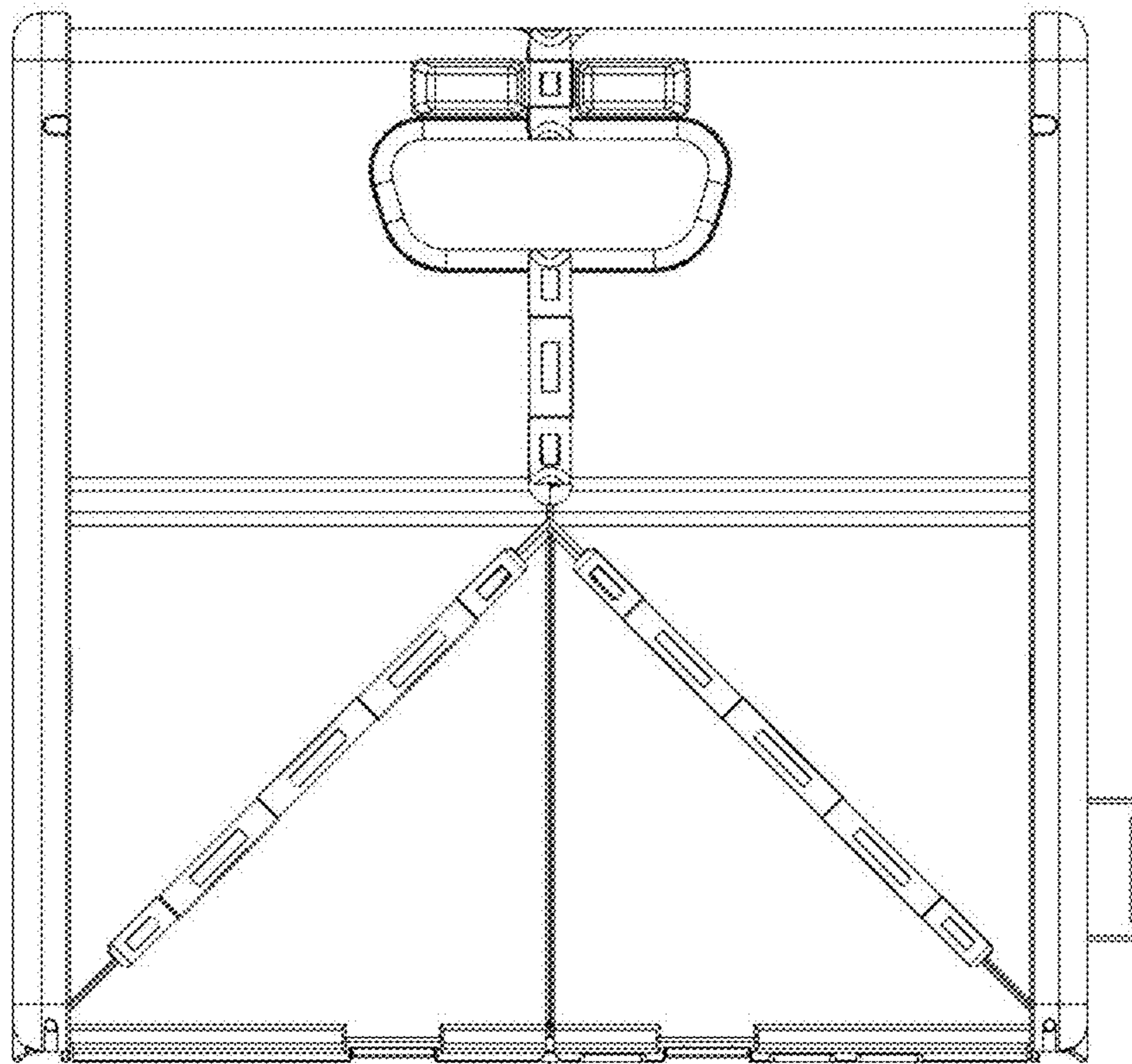
1.24



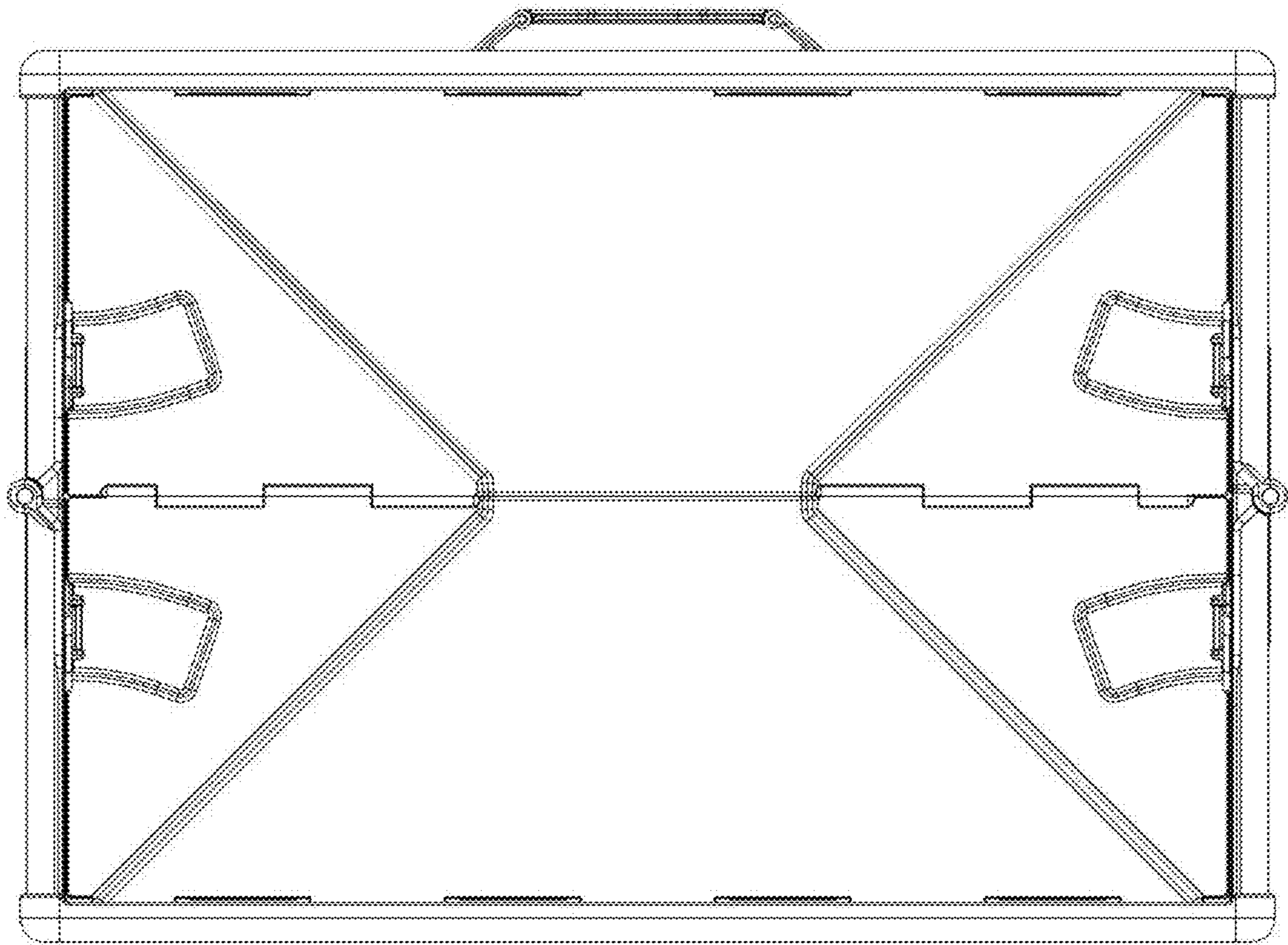
1.25



1.26



1.27



1.28

