

US00D961929S

(12) **United States Design Patent**  
**McBride**

(10) **Patent No.:** **US D961,929 S**

(45) **Date of Patent:** **\*\* Aug. 30, 2022**

(54) **BIN**

(71) Applicant: **InterDesign, Inc.**, Solon, OH (US)

(72) Inventor: **Sara Czukal McBride**, Wickliffe, OH (US)

(73) Assignee: **InterDesign, Inc.**, Solon, OH (US)

(\*\*) Term: **15 Years**

(21) Appl. No.: **29/825,650**

(22) Filed: **Feb. 3, 2022**

**Related U.S. Application Data**

(63) Continuation of application No. 29/733,375, filed on May 1, 2020, which is a continuation-in-part of application No. 29/680,170, filed on Feb. 14, 2019, now Pat. No. Des. 900,476, which is a continuation-in-part of application No. 29/585,140, filed on Nov. 21, 2016, now abandoned, and a continuation-in-part of application No. 29/602,126, filed on Apr. 28, 2017, now abandoned, which is a continuation of application No. 29/492,902, filed on Jun. 4, 2014, now Pat. No. Des. 787,922, which is a

(Continued)

(51) **LOC (13) Cl.** ..... **09-04**

(52) **U.S. Cl.**

USPC ..... **D3/304**

(58) **Field of Classification Search**

USPC ..... D3/307–309, 200–201, 203.1, 203.3, D3/205–206, 303–315; D32/37, 55; D9/643–644, 645–647, 703, 425–426, D9/432; D6/683, 683.1, 705, 573, 574; 206/503–507, 510, 512, 564, 822; 220/607, 643, 659, 676, 657; 229/100, 229/406, 913–914

CPC ..... B65D 81/3813; B65D 21/00

See application file for complete search history.

(56) **References Cited**

U.S. PATENT DOCUMENTS

D211,682 S 7/1968 VanSickle  
3,813,256 A \* 5/1974 Feinberg ..... B65D 1/22  
427/236

D280,182 S 8/1985 Tyler  
(Continued)

FOREIGN PATENT DOCUMENTS

WO 2017178370 10/2017

OTHER PUBLICATIONS

Clear 44 qt. Weathertight Tote—The Container Store—<https://www.containerstore.com/s/storage/plastic-bins-baskets/clear-44-qt.-weathertight-tote/12?p=0&ps=32&productId=11014344>—Date accessed: Feb. 3, 2022.

(Continued)

*Primary Examiner* — Austin Murphy

(74) *Attorney, Agent, or Firm* — Calfee, Halter & Griswold LLP

(57) **CLAIM**

I claim the ornamental design for a bin, as shown and described.

**DESCRIPTION**

FIG. 1 is a front/right/top perspective view of a bin (a front/left/top perspective view would be a mirror image thereof);

FIG. 2 is a rear/left/bottom perspective view thereof (a rear/right/bottom perspective view would be a mirror image thereof);

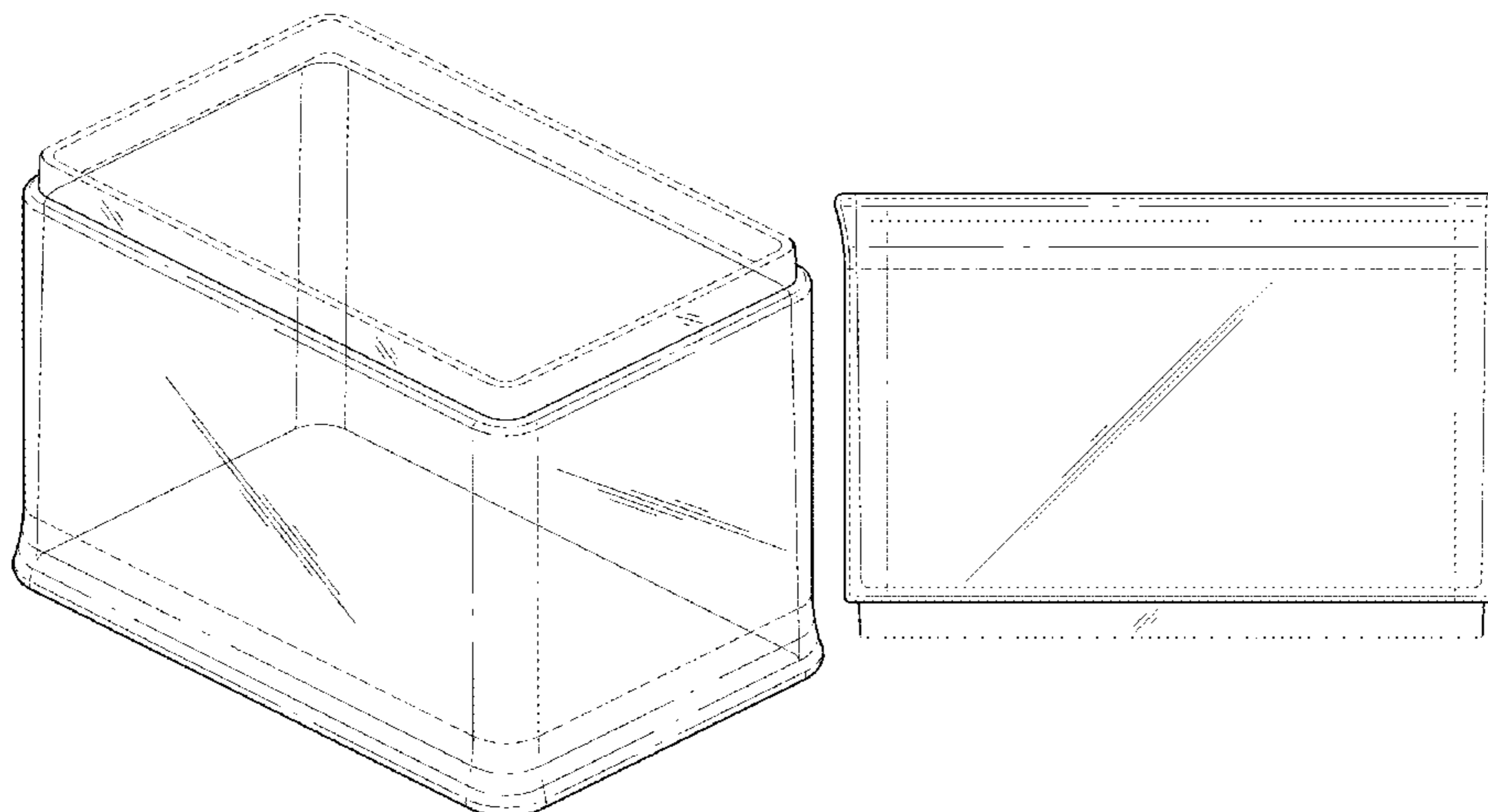
FIG. 3 is a front elevational view thereof (the rear side being a mirror image of the side shown);

FIG. 4 is a right side elevational view thereof (the left side being a mirror image of the side shown);

FIG. 5 is a top plan view thereof; and,

FIG. 6 is a bottom plan view thereof.

(Continued)



The broken lines represent portions of the bin that form no part of the claimed design.

**1 Claim, 4 Drawing Sheets**

**Related U.S. Application Data**

continuation of application No. 29/416,358, filed on Mar. 21, 2012, now Pat. No. Des. 709,289.

D866,973 S	11/2019	Snell	
D878,050 S	3/2020	Kraemer	
D878,051 S	3/2020	Kraemer	
D893,874 S *	8/2020	Kraemer	..... D3/307
D895,970 S	9/2020	Kraemer	
D902,594 S	11/2020	Kraemer	
D912,985 S	3/2021	Kraemer	
D915,073 S	4/2021	Kraemer	
D919,974 S	5/2021	Kraemer	
D921,361 S *	6/2021	Kraemer	..... D3/273
D930,470 S	9/2021	Jonassen	

**OTHER PUBLICATIONS**

(56)

**References Cited**

**U.S. PATENT DOCUMENTS**

D283,399 S	4/1986	Forbes, Jr.	
D288,063 S	2/1987	Tyler	
D302,774 S	8/1989	Murphy	
D305,410 S	1/1990	Tyler	
D363,662 S	10/1995	Plater	
D391,079 S	2/1998	Conti	
D418,056 S	12/1999	Johnson	
D420,219 S	2/2000	Elvin-Jensen	
D431,907 S	10/2000	Andujar	
D495,597 S	9/2004	Rubalcava	
D500,205 S	12/2004	DeCarlo	
D509,655 S *	9/2005	Barnes	..... D3/905
D518,957 S	4/2006	DeCarlo	
D530,918 S *	10/2006	Snell	..... D3/304
D555,476 S	11/2007	Nielsen	
D595,128 S	6/2009	Bouveret	
D709,289 S	7/2014	Kraemer	
D712,148 S	9/2014	Ghiorghie	
D713,146 S *	9/2014	Ghiorghie	..... D3/304
D747,102 S	1/2016	Kraemer	
D751,318 S	3/2016	Kraemer	
D772,575 S	11/2016	Stelmariski	
D806,391 S	1/2018	Ghiorghie	
D809,797 S	2/2018	Kraemer	
D842,606 S	3/2019	Kraemer	
D862,994 S *	10/2019	Kraemer	..... D7/629

Premier Clear Stacking Totes—The Container Store—<https://www.containerstore.com/s/storage/plastic-bins-baskets/premier-clear-stacking-totes/12d?p=0&ps=32&productId=11014293>—Date accessed: Feb. 3, 2022.

MDesign Stackable Closet Plastic Storage Box with Lid—Walmart.com—<https://www.walmart.com/ip/mDesign-Stackable-Closet-Storage-Bin-Box-with-Lid-2-Pack-Clear/138716282>—Date accessed: Feb. 3, 2022.

Aqua Mini Latch Boxes—The Container Store—<https://www.containerstore.com/s/craft-hobby/aqua-mini-latch-boxes/1d?p=0&ps=32&productId=11011056>—Date accessed: Feb. 3, 2022.

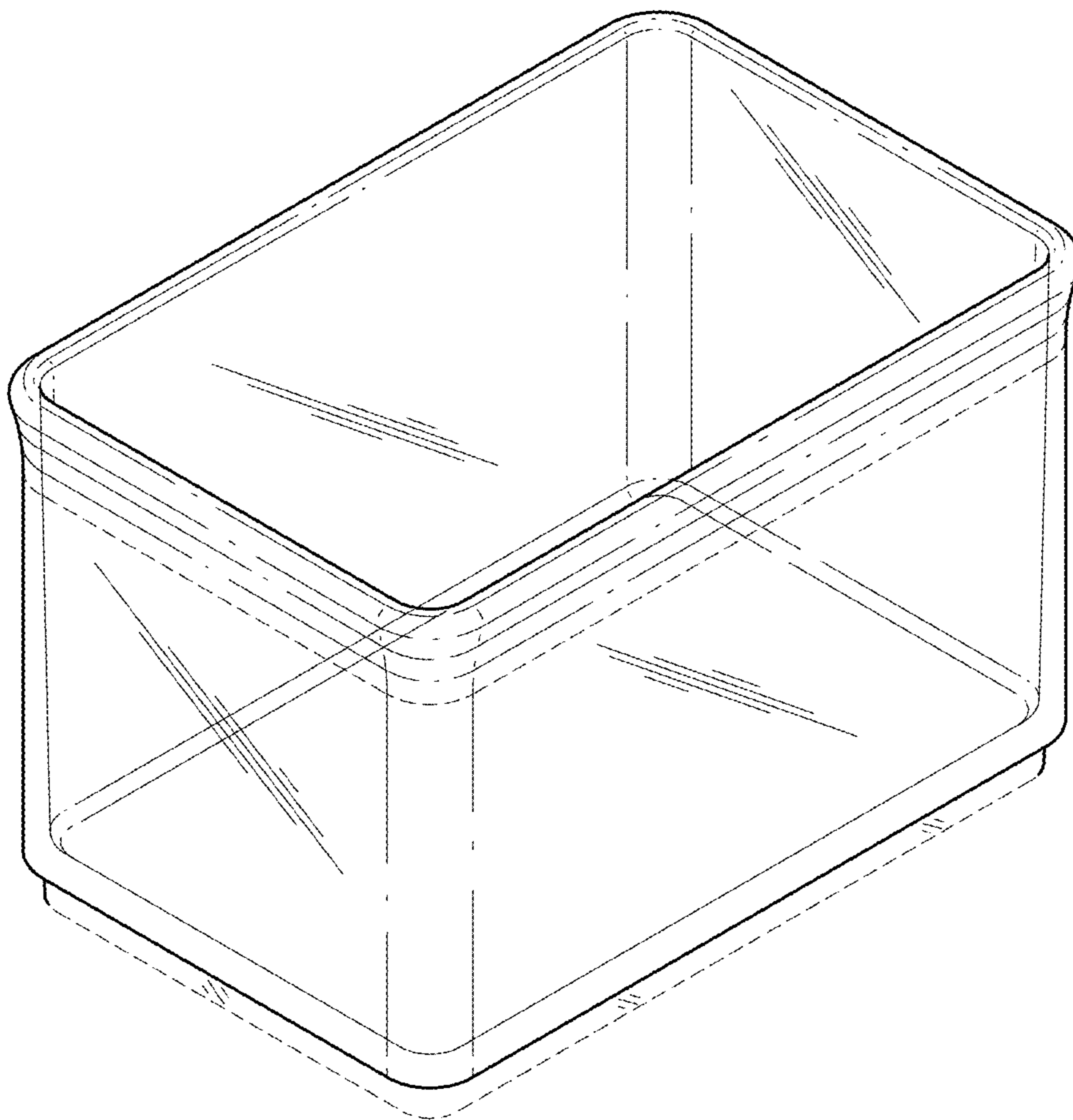
Small ArtBin Storage Bins with Lids—The Container Store—<https://www.containerstore.com/s/craft-hobby/small-artbin-storage-bins-with-lids/1d?p=0&ps=32&productId=11012956>—Date accessed: Feb. 3, 2022.

The Home Edit by iDesign Small Deep Drawer Case of 4—The Container Store—<https://www.containerstore.com/s/the-home-edit-by-idesign-small-deep-drawer-case-of-4/d?q=home%20edit&p=0&ps=32&productId=11015726>—Date accessed: Feb. 3, 2022.

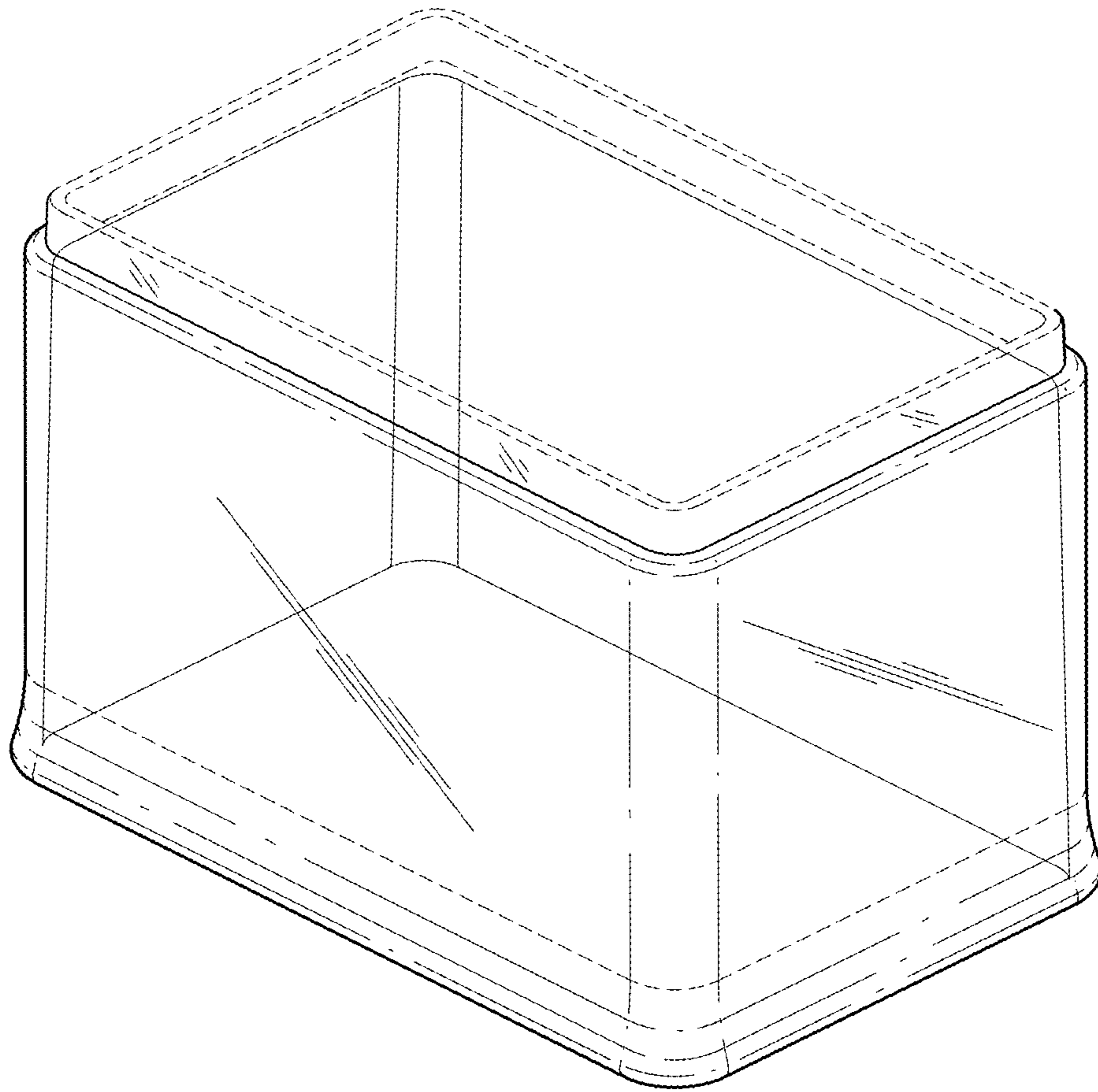
IDesign Crisp Stackable Refrigerator and Pantry Berry Food Storage Container & Reviews—Wayfair—<https://www.wayfair.com/kitchen-tabletop/pdp/idesign-crisp-stackable-refrigerator-and-pantry-berry-food-storage-container-ides1014.html>—Date accessed: Feb. 3, 2022.

\* cited by examiner

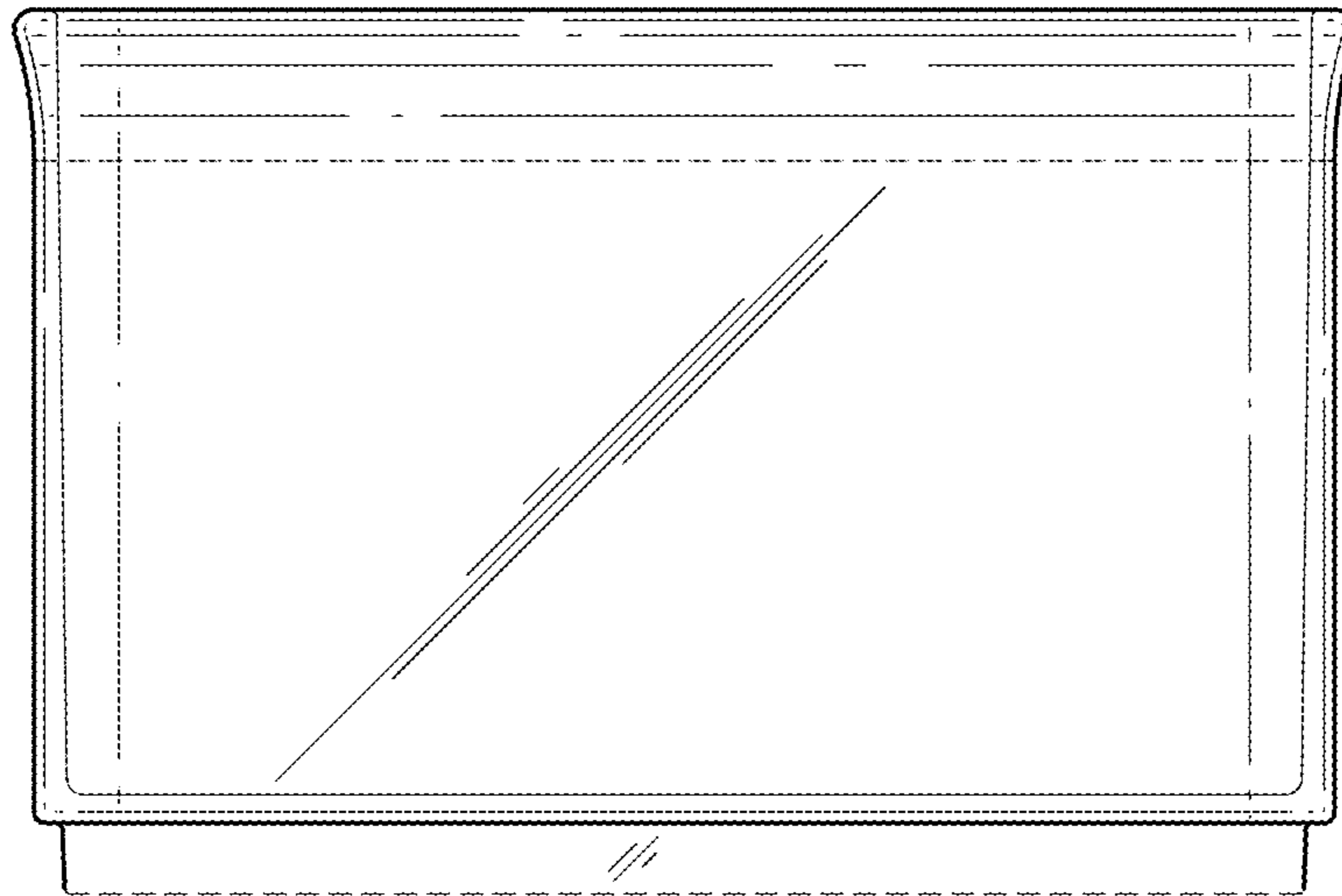
**FIG. 1**



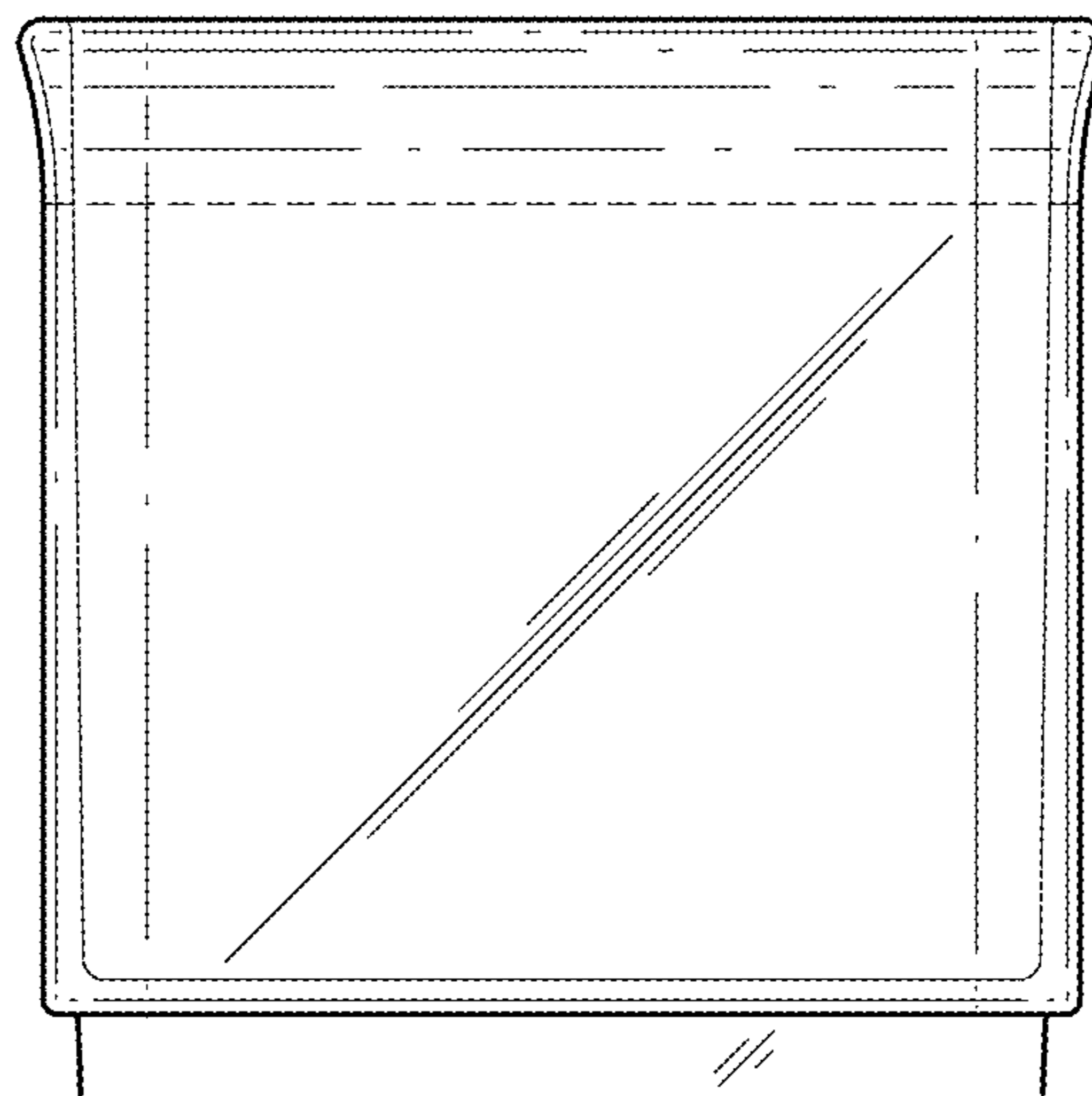
**FIG. 2**



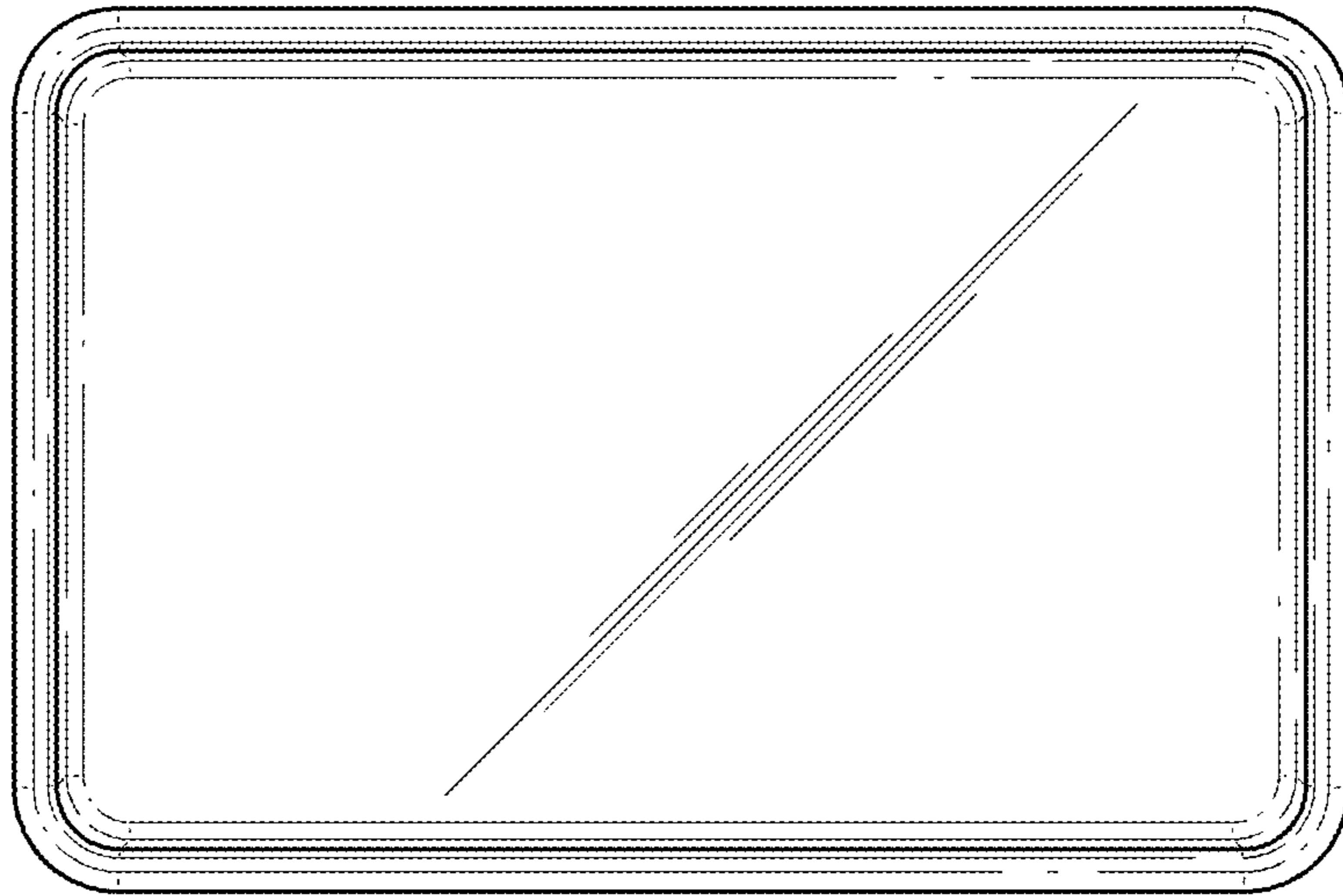
**FIG. 3**



**FIG. 4**



**FIG. 5**



**FIG. 6**

