



US00D961924S

(12) **United States Design Patent**
Bacharach

(10) **Patent No.:** **US D961,924 S**

(45) **Date of Patent:** **** Aug. 30, 2022**

(54) **CASE HAVING A PLURALITY OF FEATURES**

(71) Applicant: **Eliahu Bacharach**, Lakewood, NJ (US)

(72) Inventor: **Eliahu Bacharach**, Lakewood, NJ (US)

(**) Term: **15 Years**

(21) Appl. No.: **29/729,434**

(22) Filed: **Mar. 26, 2020**

(51) **LOC (13) Cl.** **03-01**

(52) **U.S. Cl.**

USPC **D3/284**; D3/294; D3/295

(58) **Field of Classification Search**

USPC D3/272, 273, 274, 275, 276, 277, 278,
D3/279, 280, 281, 282, 283, 284, 285, 38,
D3/74, 201, 204, 221, 254, 260, 286, 294,
D3/295, 299, 904, 905, 290, 901, 902,
D3/903, 305; D6/336, 440, 663, 667,
D6/552, 559, 432, 447; D28/9; D7/701,
D7/702, 703; D9/420; D34/5, 19, 20,
D34/21, 197; D18/59

CPC A47C 1/146; B65D 51/04; B62B 1/12;
A45C 13/03

See application file for complete search history.

(56) **References Cited**

U.S. PATENT DOCUMENTS

5,011,020 A * 4/1991 Stevens A45C 13/02
206/811
D325,127 S * 4/1992 Diaz D3/904
D379,562 S * 6/1997 Carter D3/295
D402,106 S * 12/1998 Buckingham D3/295

(Continued)

FOREIGN PATENT DOCUMENTS

CN 303954516 * 12/2016
CN 304342613 * 11/2017

OTHER PUBLICATIONS

Homedepot.com, Site visited Feb. 7, 2022, Milwaukee 10 Compartment Tool box, Oldest Photo Review May 21, 2015, <https://www.homedepot.com/p/Milwaukee-10-Compartment-Red-Deep-Pro-Portable-Tool-Box-with-Storage-and-Organization-Bins-for-Small-Parts-223875/205847797> (Year: 2015).*

(Continued)

Primary Examiner — Brett Miller

Assistant Examiner — Jessica M Gebhart

(57) **CLAIM**

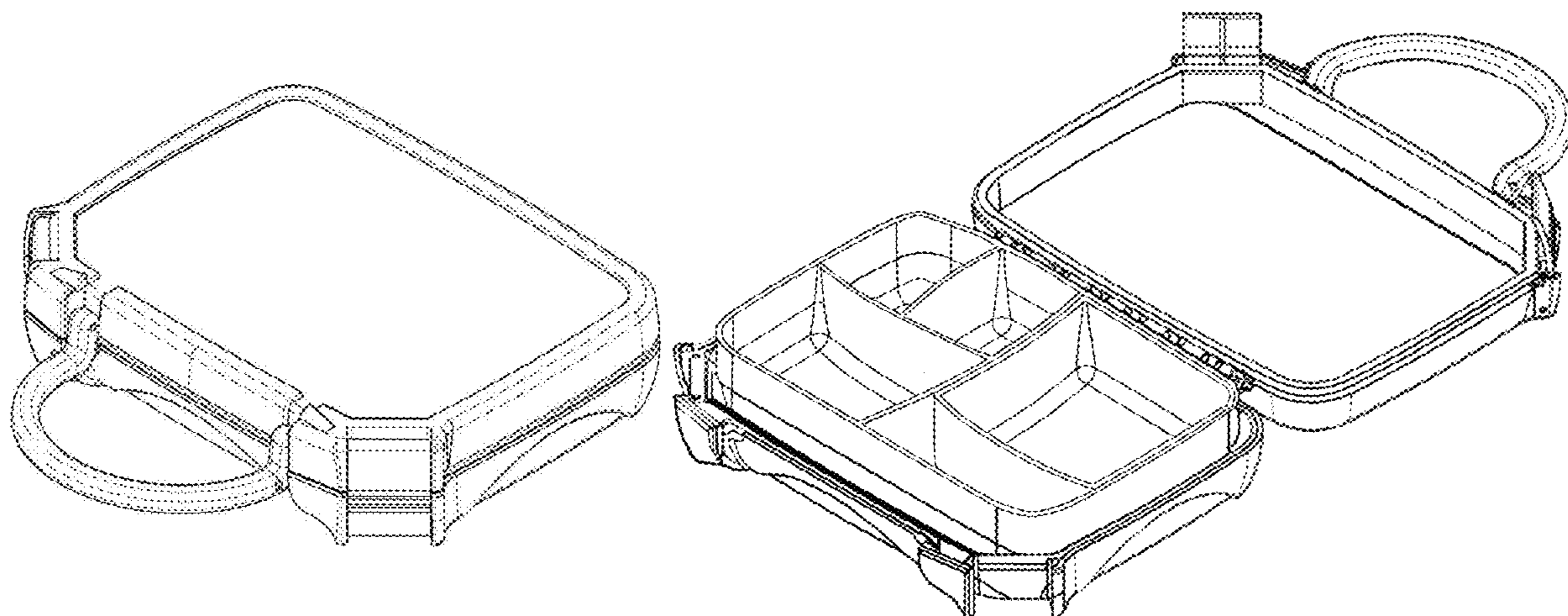
I claim the ornamental design for a case with a plurality of features, substantially, as shown and described.

DESCRIPTION

FIG. 1 is a top, perspective view of the case with a plurality of features; the view showing my new design; FIG. 2 is a front elevation view thereof; FIG. 3 is a rear elevation view thereof; FIG. 4 is a top view thereof; FIG. 5 is a bottom view thereof; FIG. 6 is a side elevation view thereof; FIG. 7 is a side elevation view thereof; FIG. 8 is a bottom, perspective thereof; FIG. 9 is a top, perspective view thereof; the view showing the interior of the case; the view showing at least one divider; the view showing the case in an open position; FIG. 10 is a top, exploded view thereof; the view showing the interior of the case; the view showing at least one divider; the view showing the case in an open position; the view showing the gasket separated from the case; and, FIG. 11 is a top view thereof; the view showing the interior of the case; the view showing at least one divider; the view showing the case in an open position.

A description of the appearance of the article is as follows: A case with a plurality of features including pockets, a gasket, and a lockable handle.

1 Claim, 11 Drawing Sheets



(56)

References Cited

U.S. PATENT DOCUMENTS

D512,564	S	*	12/2005	Teitloff	D3/257
D516,870	S	*	3/2006	Martinez	D7/607
D520,746	S	*	5/2006	Meyer	D3/284
D591,046	S	*	4/2009	Lee	D3/285
D611,697	S	*	3/2010	Hay	D3/205
D666,818	S	*	9/2012	Mbi	D3/288
D872,471	S	*	1/2020	Zhao	D3/276
D939,210	S	*	12/2021	Glines	D3/289
D944,608	S	*	3/2022	Lu	D7/703
D947,620	S	*	4/2022	Edlund Tjernberg	D3/276
2020/0337428	A1	*	10/2020	Lane	A45C 11/20

OTHER PUBLICATIONS

Amazon.com, Site visited Feb. 7, 2022, Bentgo Fresh Leak Proof Lunch Box, First Available Jan. 17, 2019, <https://www.amazon.com/Bentgo-Fresh-Aqua-4-Compartment-Portion-Control/dp/B07MWB6WXM> (Year: 2019).*

Amazon.com, Site visited Feb. 7, 2022, Bento Box Lunch Box for Adults by Lovina, First available Sep. 3, 2019, <https://www.amazon.com/Bento-Boxes-Adults-Leak-Proof-Go/dp/B07XDTQXH4> (Year: 2019).*

* cited by examiner

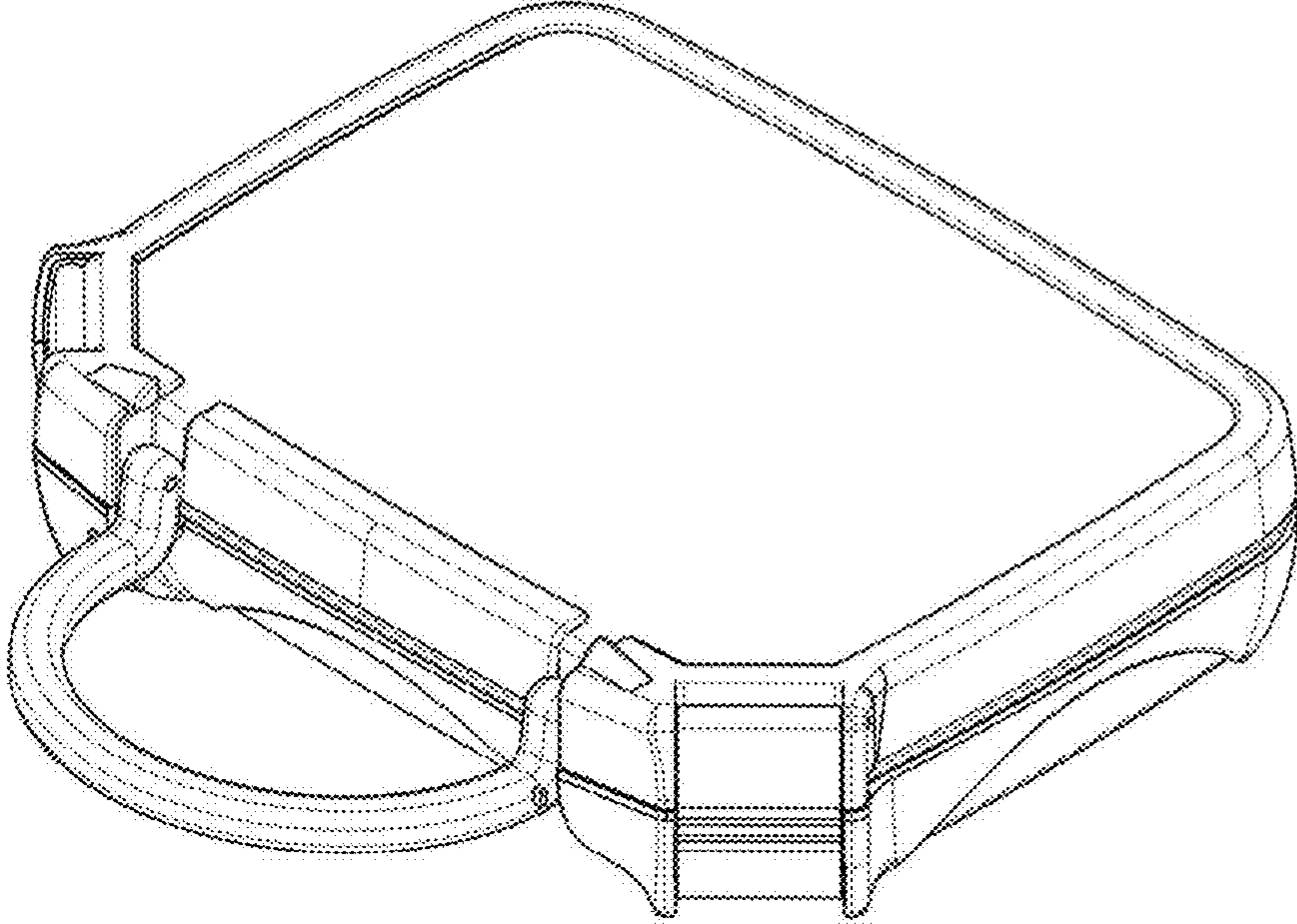


FIG. 1

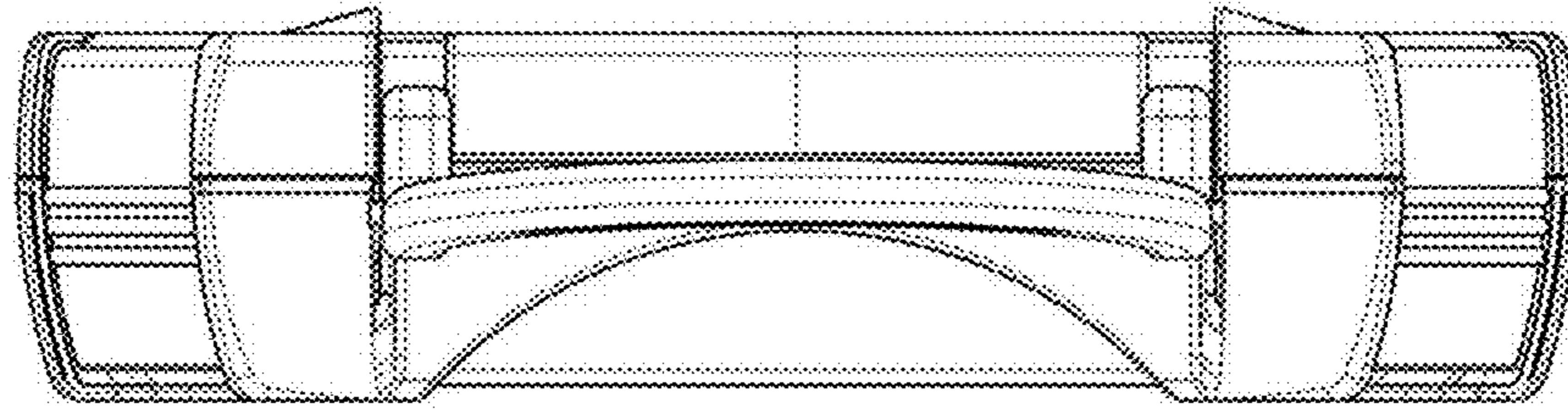


FIG. 2

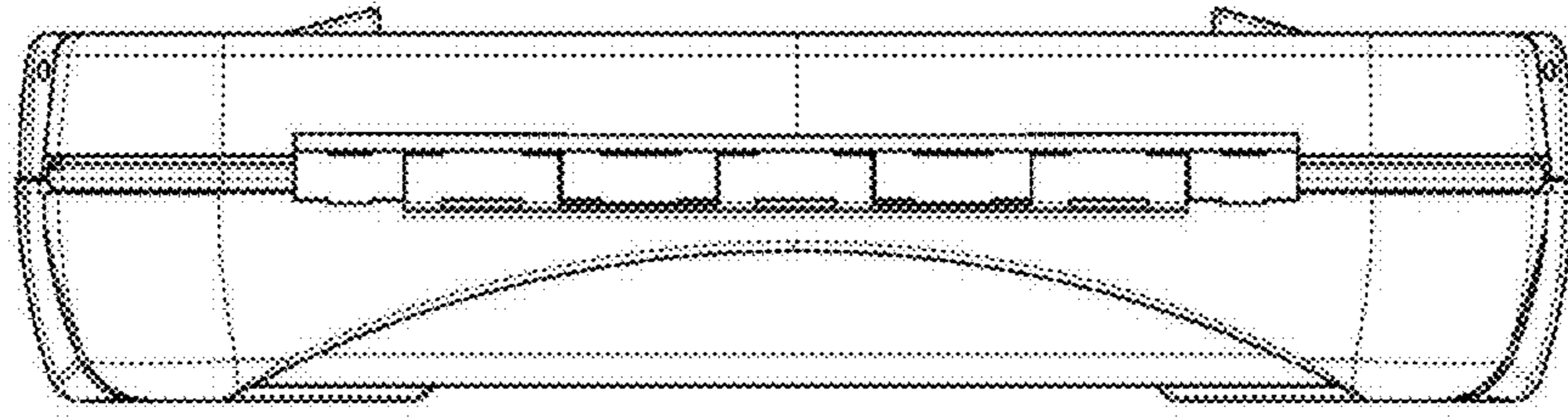


FIG. 3

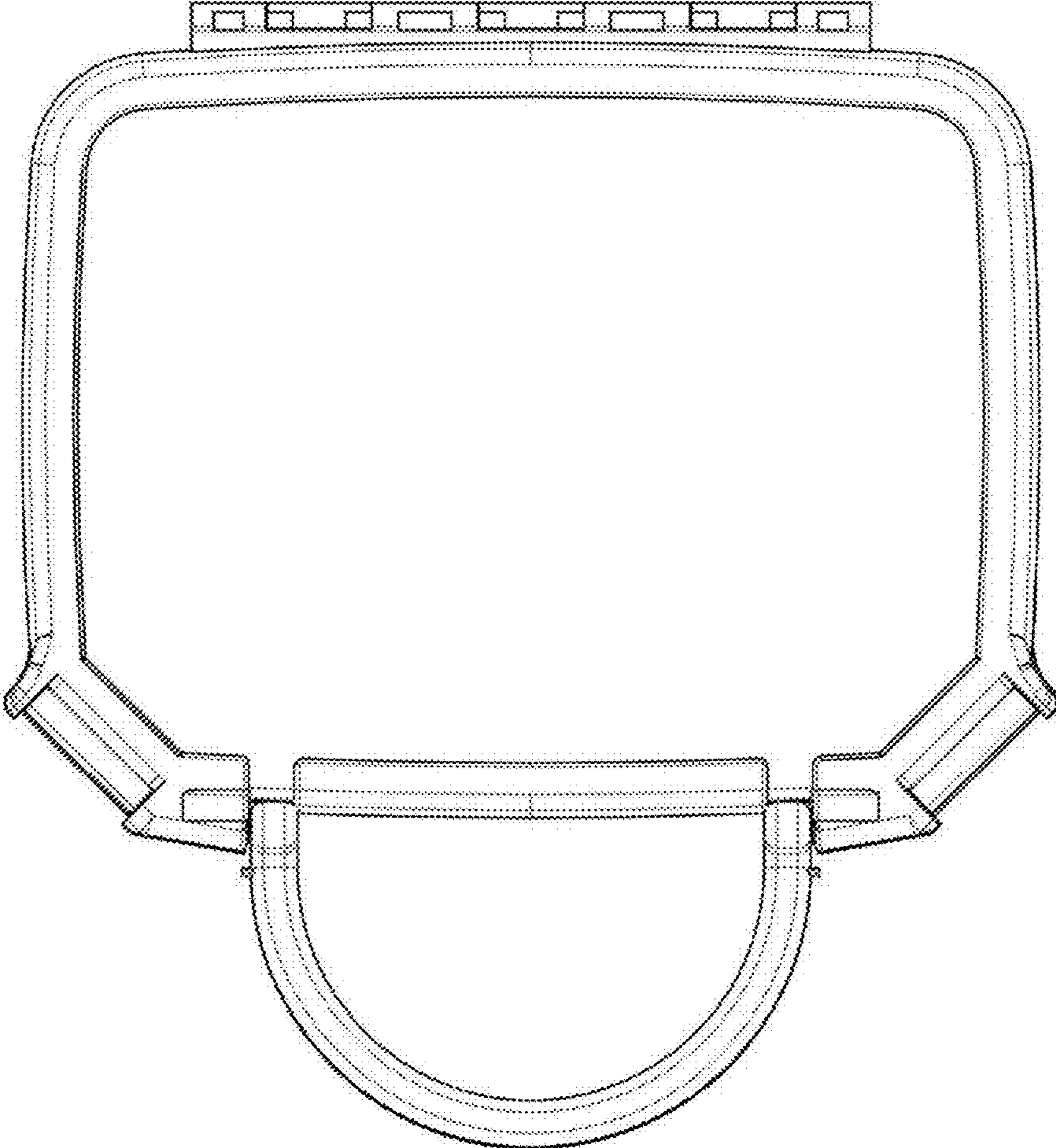


FIG. 4

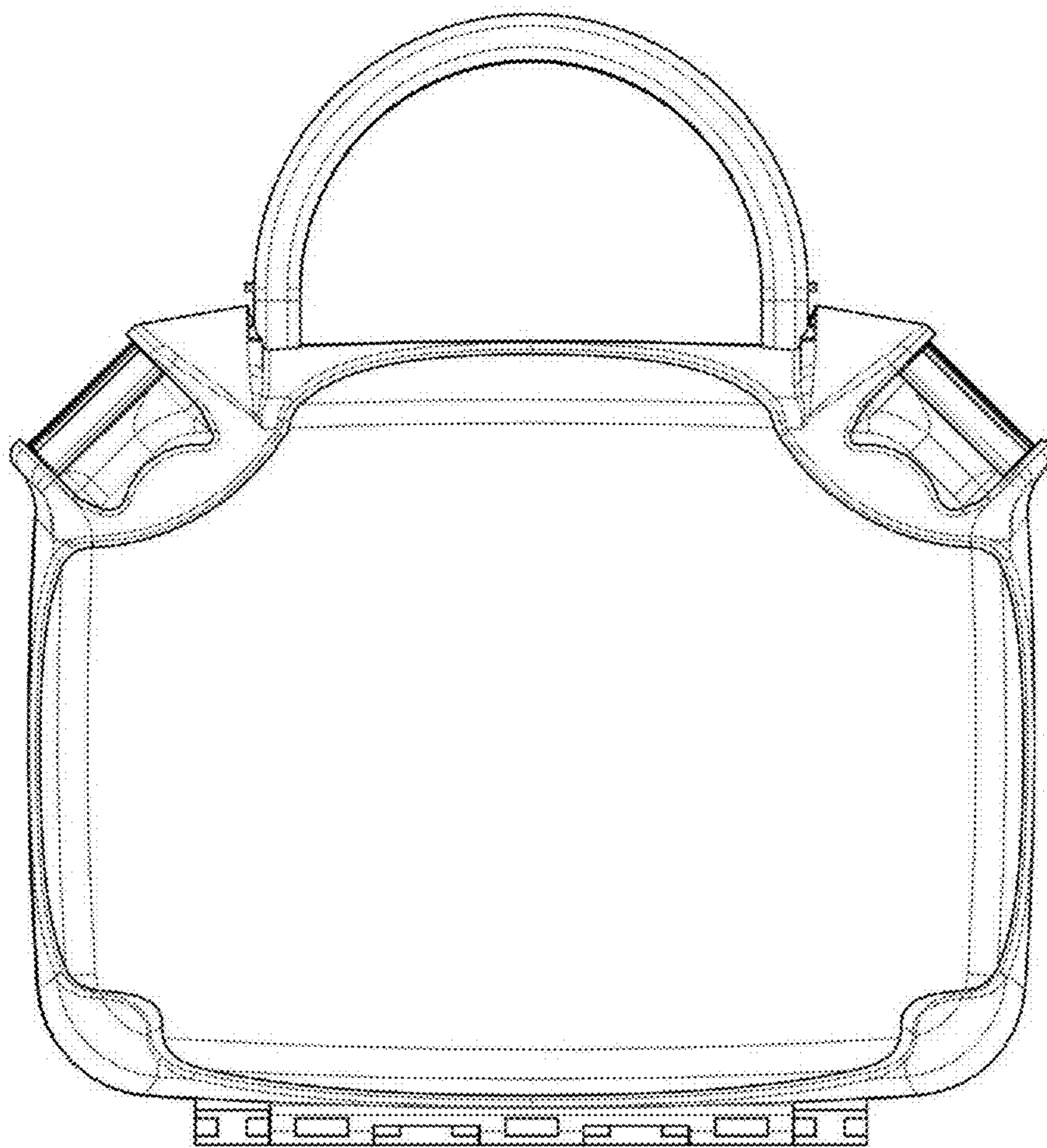


FIG. 5

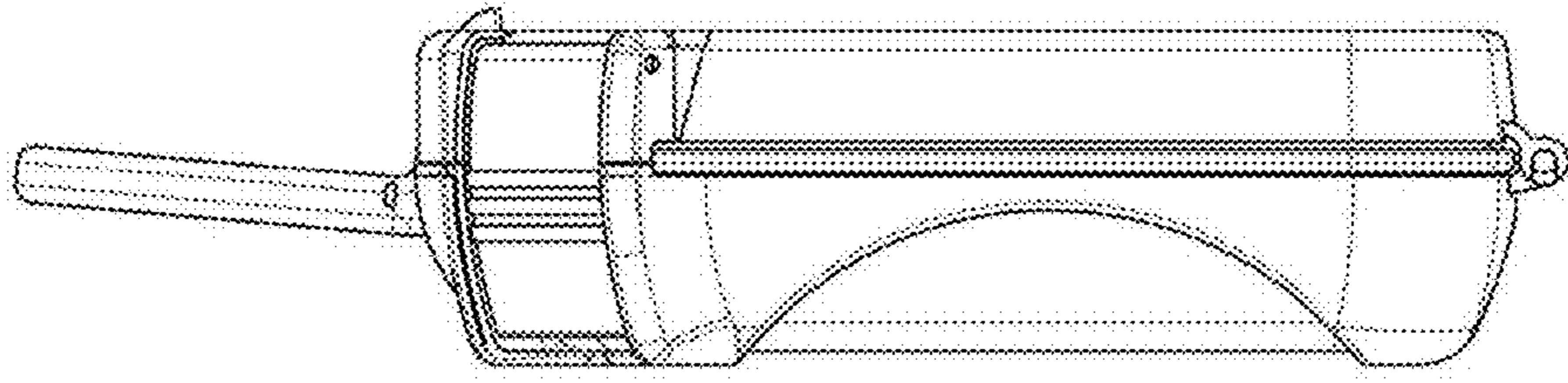


FIG. 6

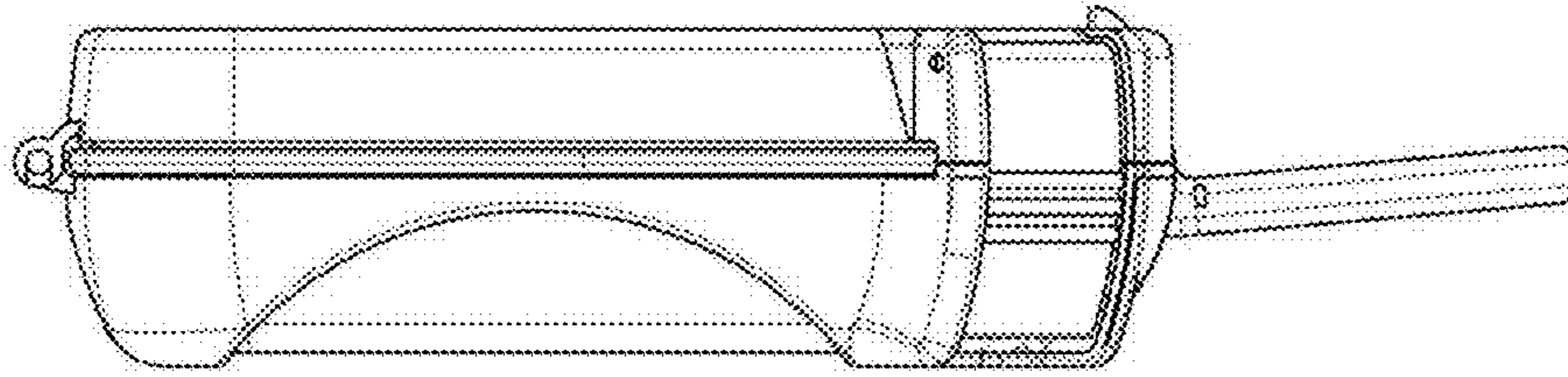


FIG. 7

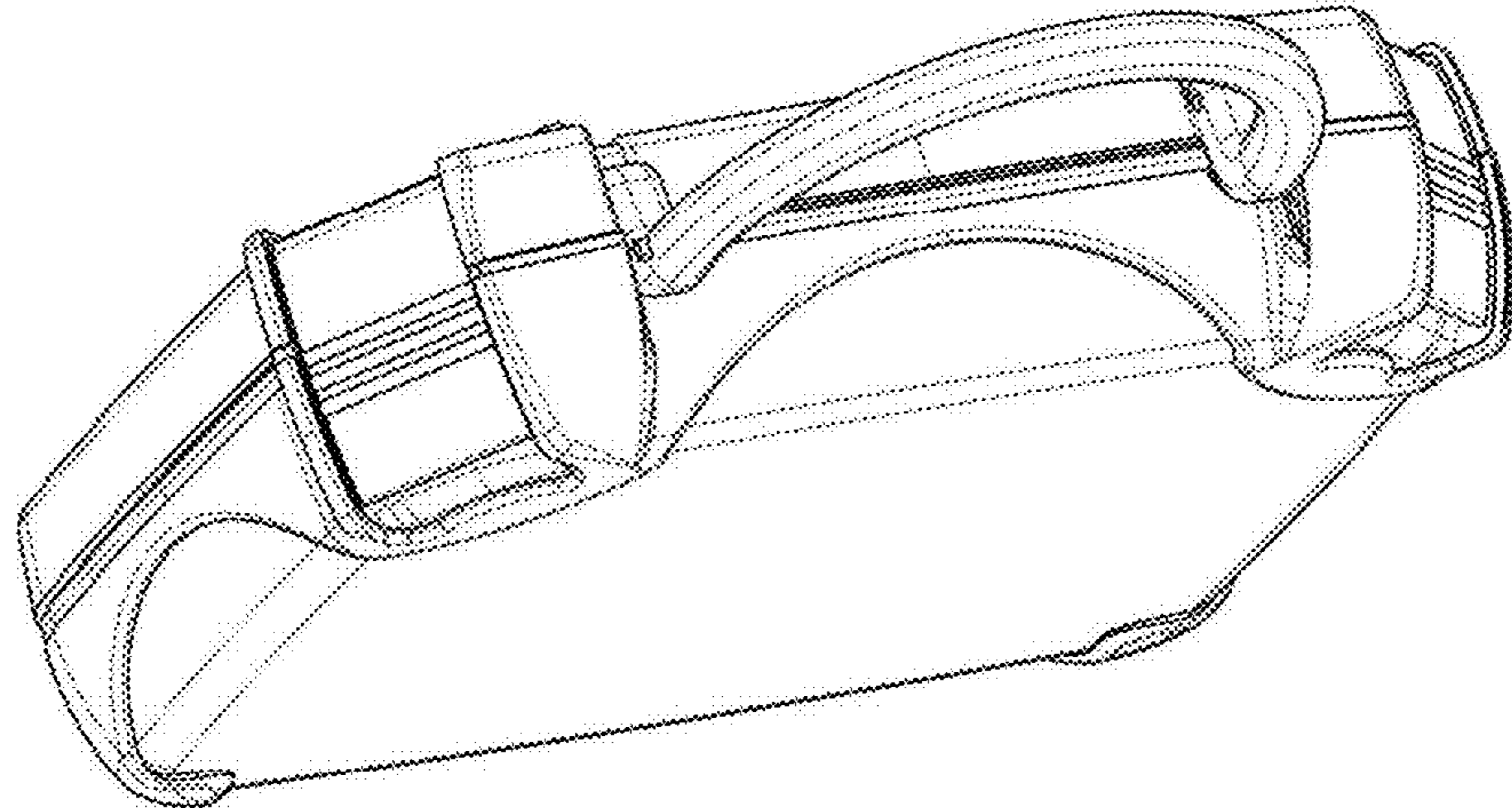


FIG. 8

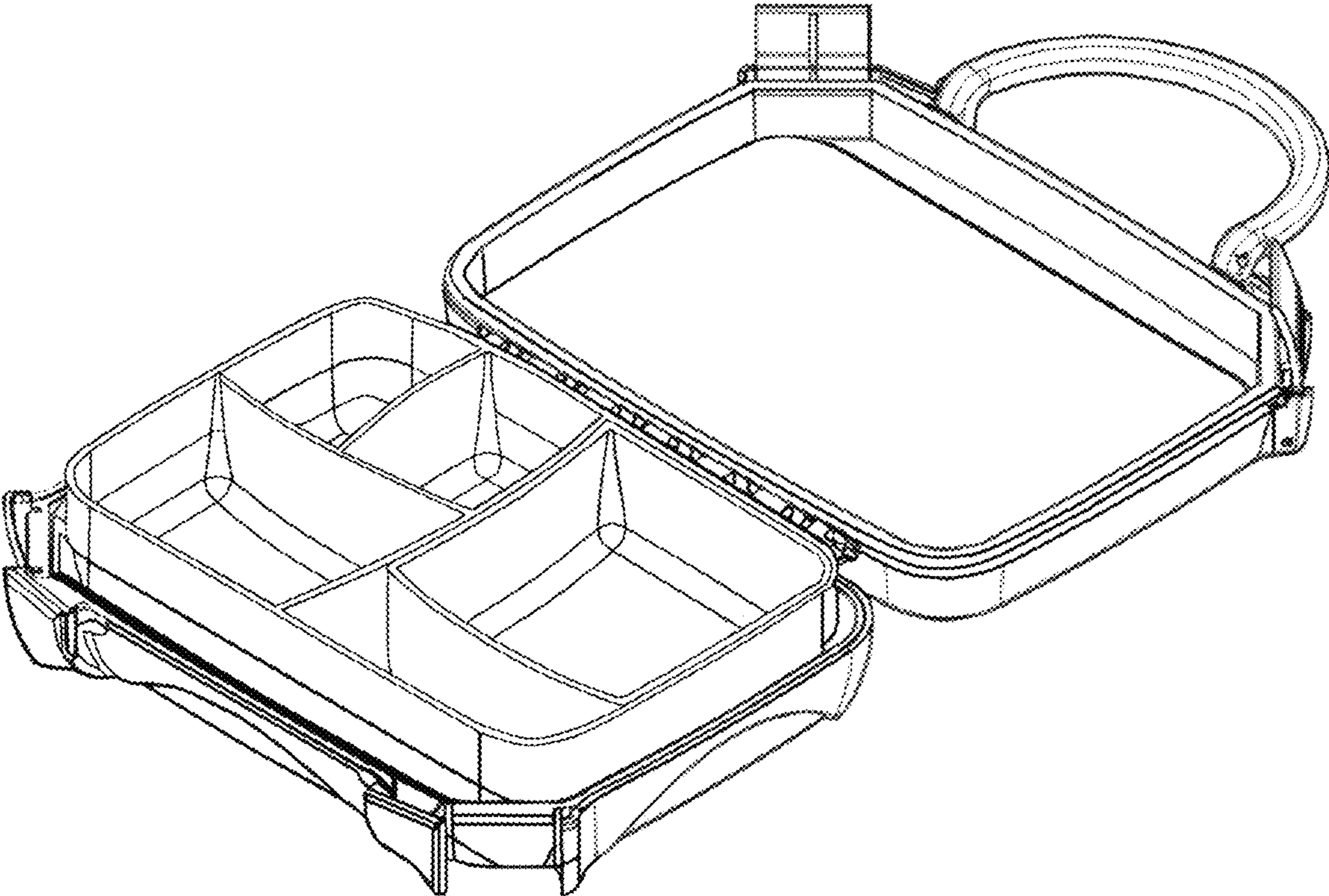


FIG. 9

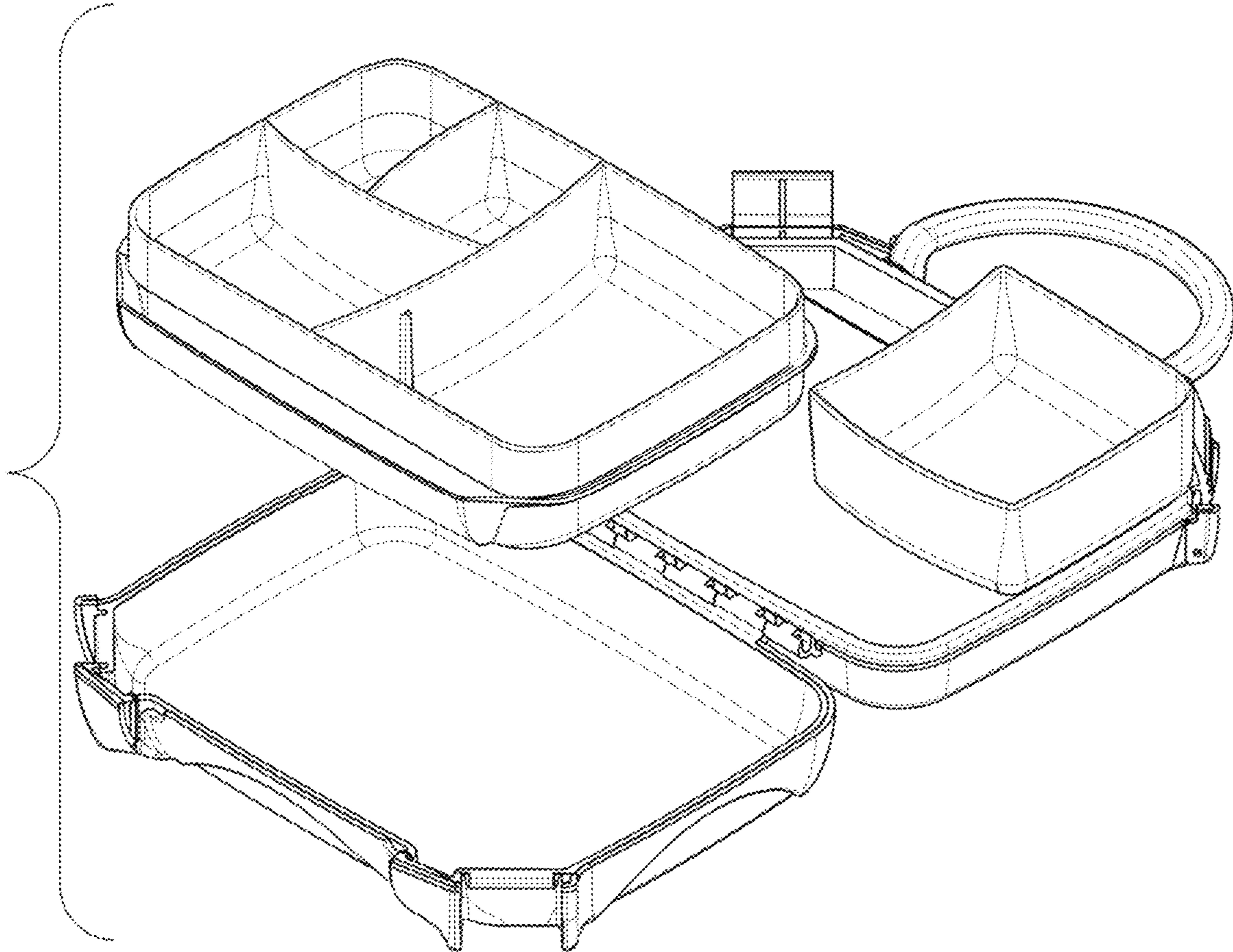


FIG. 10

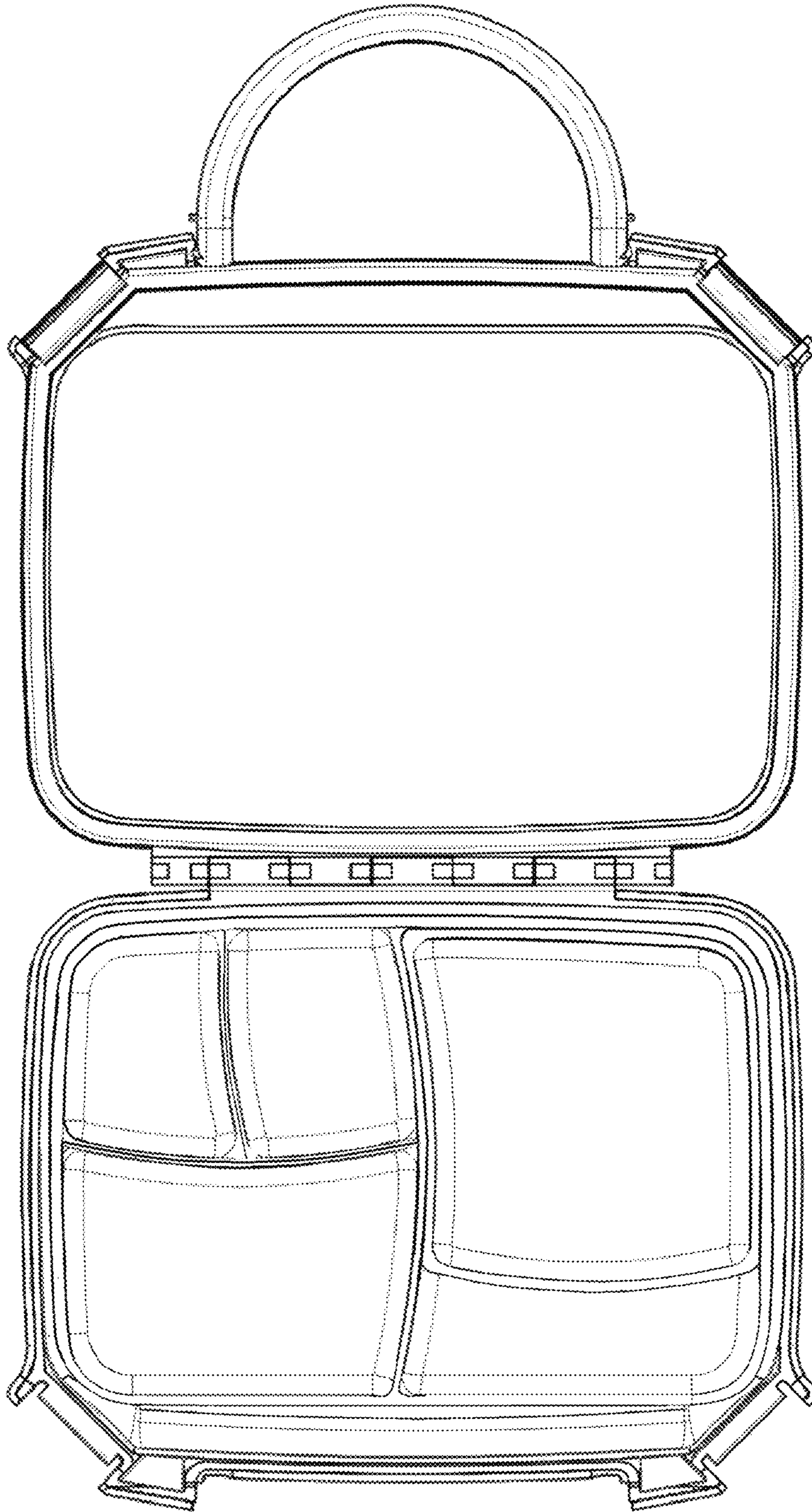


FIG. 11