



US00D961922S

(12) **United States Design Patent**
Zhang

(10) **Patent No.:** **US D961,922 S**
(45) **Date of Patent:** **** Aug. 30, 2022**

(54) **CARD HOLDER**

(71) Applicant: **GUANGZHOU XUNMAI TRADING CO., LTD.**, Guangzhou (CN)

(72) Inventor: **Xueliang Zhang**, Fengcheng (CN)

(73) Assignee: **GUANGZHOU XUNMAI TRADING CO., LTD.**, Guangzhou (CN)

(*) Notice: Patent file contains an affidavit/declaration under 37 CFR 1.130(b).

(**) Term: **15 Years**

(21) Appl. No.: **29/800,581**

(22) Filed: **Jul. 22, 2021**

(51) **LOC (13) Cl.** **03-01**

(52) **U.S. Cl.**
USPC **D3/247**

(58) **Field of Classification Search**
USPC D3/247-253
CPC A45C 1/08; A45C 1/02; A45C 1/06; A45C 2011/002; A45C 11/182
See application file for complete search history.

(56) **References Cited**

U.S. PATENT DOCUMENTS

D381,509 S	*	7/1997	Miller	D3/251
D434,220 S	*	11/2000	Kojoori	D3/249
D525,431 S	*	7/2006	Lux	D3/301
D581,665 S	*	12/2008	Gerbi	D3/252
D761,563 S	*	7/2016	Requa	D3/249
D803,558 S	*	11/2017	Liu	D3/247
D814,185 S	*	4/2018	Liu	D3/249
D851,928 S		6/2019	Moore		
D856,671 S	*	8/2019	Li	D3/249
D866,179 S	*	11/2019	Zhao	D3/249
D889,121 S	*	7/2020	Jaski		
D895,277 S	*	9/2020	Tibbs-Mackey	D3/252

(Continued)

OTHER PUBLICATIONS

“Sendefn Wallets for Women Leather Credit Card Holder with RFID Blocking Large Capacity Wristlet”, first available Aug. 26, 2020, Aamazon.com, site visited Apr. 20, 2022: https://www.amazon.com/dp/B07BFRZDMG/ref=sspa_dk_detail_3?pd_rd_i=

B07BFRZDMG&pd_rd_w=7NSTZ&pf_rd_p=1f2c02dc-66c8-4296-801a-31d671985c95&pd_rd_wg=GS807&pf_rd_r=MHXNMT9CTHPQWD45SM0F&pd_rd_r=01f77846-e8ef-42b1-908a-1b9ec6fc6084&s=apparel&spLa=ZW5jcnlwdGVkUXVhbGlmaWVyPUEyVFhQS1ZDUTFHQUFSJmVuY3J5cHRIZEIkPUEwNzExMTYzM05WVWk9LWjFDTU1HSSZlbnNyeXB0ZWWRBZEIkPUEwOTE3NzAwMzU4TDZSM0dZMEdHJndpZGdlE5hbWU9c3BfZGVOYWIsMlZlY3Rpb249Y2xpY2tSZWRpcmVjdCZkb05vdExvZ0NsaWNrPXRydWU&th=1 (Year: 2020).*

(Continued)

Primary Examiner — Jennifer L Watkins
Assistant Examiner — Samantha Lynne Brodowski

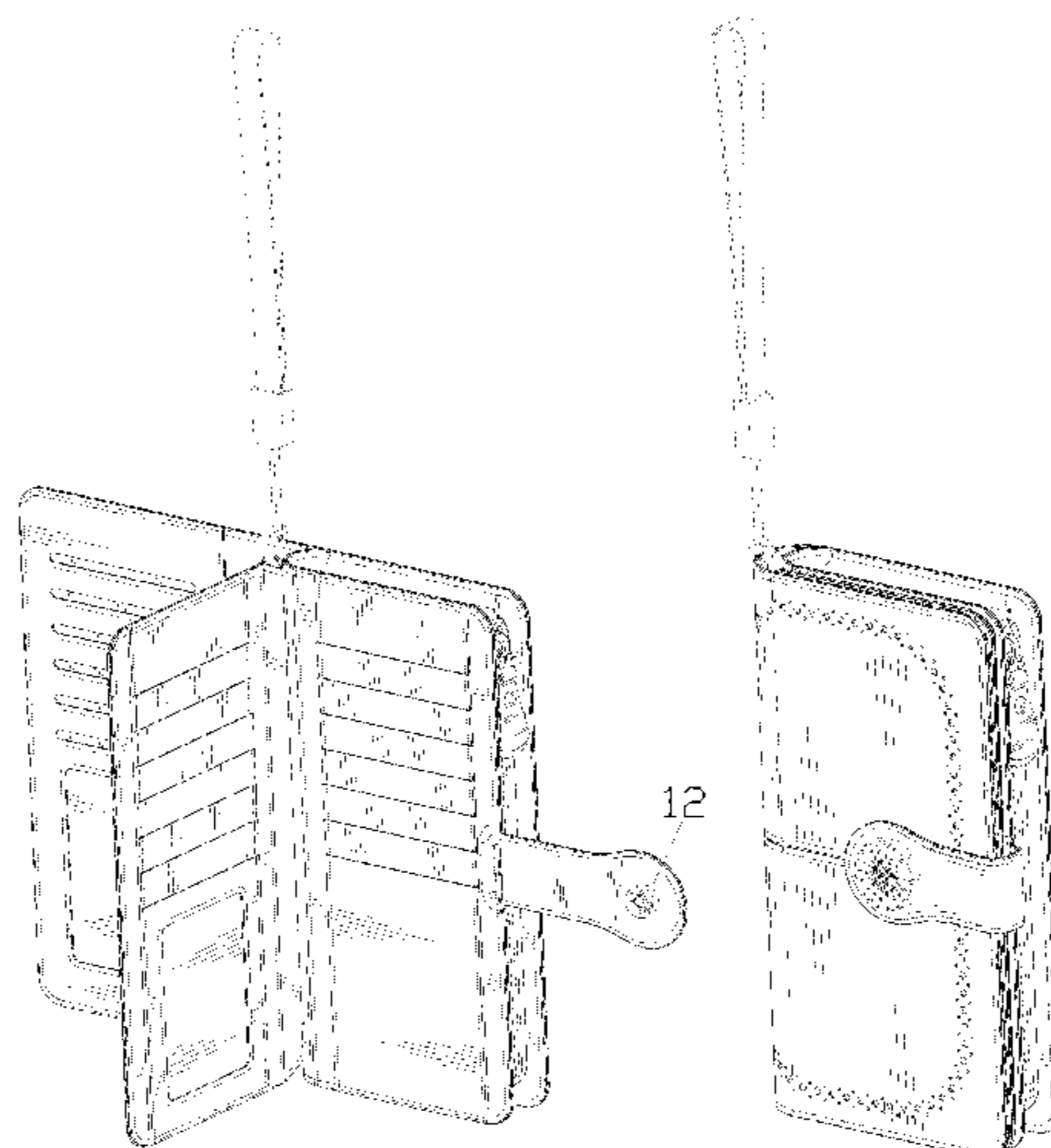
(57) **CLAIM**

The ornamental design for a card holder, as shown and described.

DESCRIPTION

FIG. 1 is a perspective view of a card holder showing my new design;
FIG. 2 is another perspective view thereof;
FIG. 3 is another perspective view thereof;
FIG. 4 is a front elevational view thereof;
FIG. 5 is a rear elevational view thereof;
FIG. 6 is a left side elevational view thereof;
FIG. 7 is a right side elevational view thereof;
FIG. 8 is a top plan view thereof;
FIG. 9 is a bottom plan view thereof;
FIG. 10 is a perspective view of the card holder where the card holder is in a closed state;
FIG. 11 is an enlarged view of portion 11 shown in FIG. 1; and,
FIG. 12 is an enlarged view of portion 12 shown in FIG. 2. The long thin evenly spaced broken lines in the drawings depict portions of card holder and form no part of the claimed design. The short thick evenly spaced broken lines in the drawings depict stitching and form no part of the claimed design. The dot-dash broken lines represent boundaries of the enlarged portions and form no part of the claimed design.

1 Claim, 12 Drawing Sheets



(56)

References Cited

U.S. PATENT DOCUMENTS

D903,314 S * 12/2020 Liu D3/249
D903,315 S * 12/2020 Liu D3/249
D956,033 S * 6/2022 Hu D14/250
2021/0307465 A1 * 10/2021 Whala A45C 1/06

OTHER PUBLICATIONS

“Travelambo Womens Large Capacity RFID Blocking Genuine Leather Wallets”, first available Oct. 15, 2020, Amazon.com, site visited Apr. 20, 2022: https://www.amazon.com/Travelambo-Capacity-Blocking-Genuine-Leather/dp/B08T1QFJ52/ref=sr_1_25?crid=182CLUQORKIX7&keywords=pink%2Bnight%2Bwallet&qid=1650403587&srefix=pinknight%2Bwallet%2Caps%2C61&sr=8-25&th=1 (Year: 2020).*

“Bostanten Women’s Leather Rfid Wallet with Large Capacity, Zipper Around Wristlet Clutch Wallets with Credit Cards and Phone Holder, Green”, first reviewed May 28, 2021, Amazon.com, site visited Apr. 20, 2022: https://www.amazon.com/BOSTANTEN-Leather-Capacity-Wristlet-Wallets/dp/B08TQN6PS9/ref=cm_cr_arpd_product_top?ie=UTF8&th=1 First (Year: 2021).*

* cited by examiner

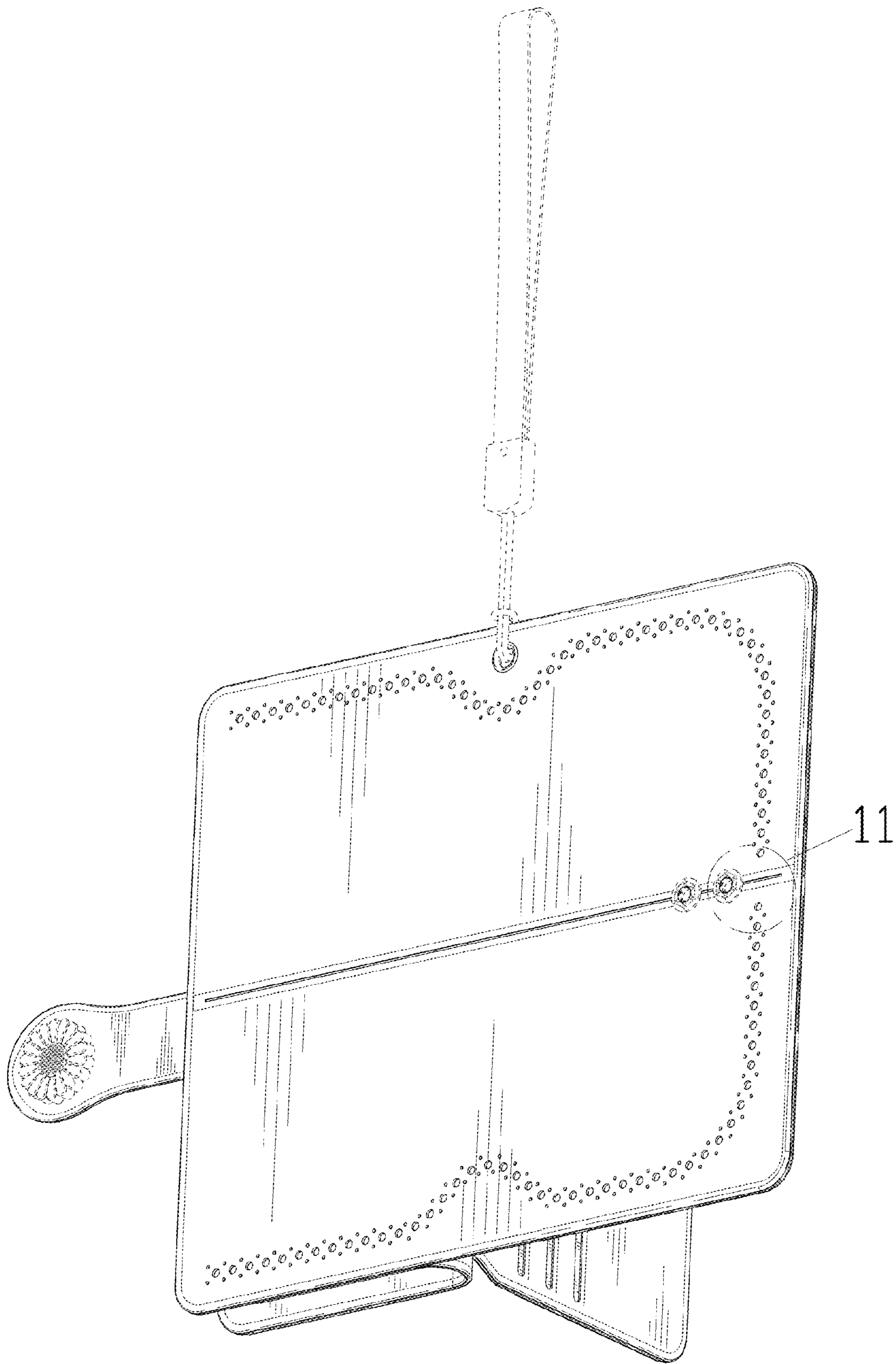


FIG. 1

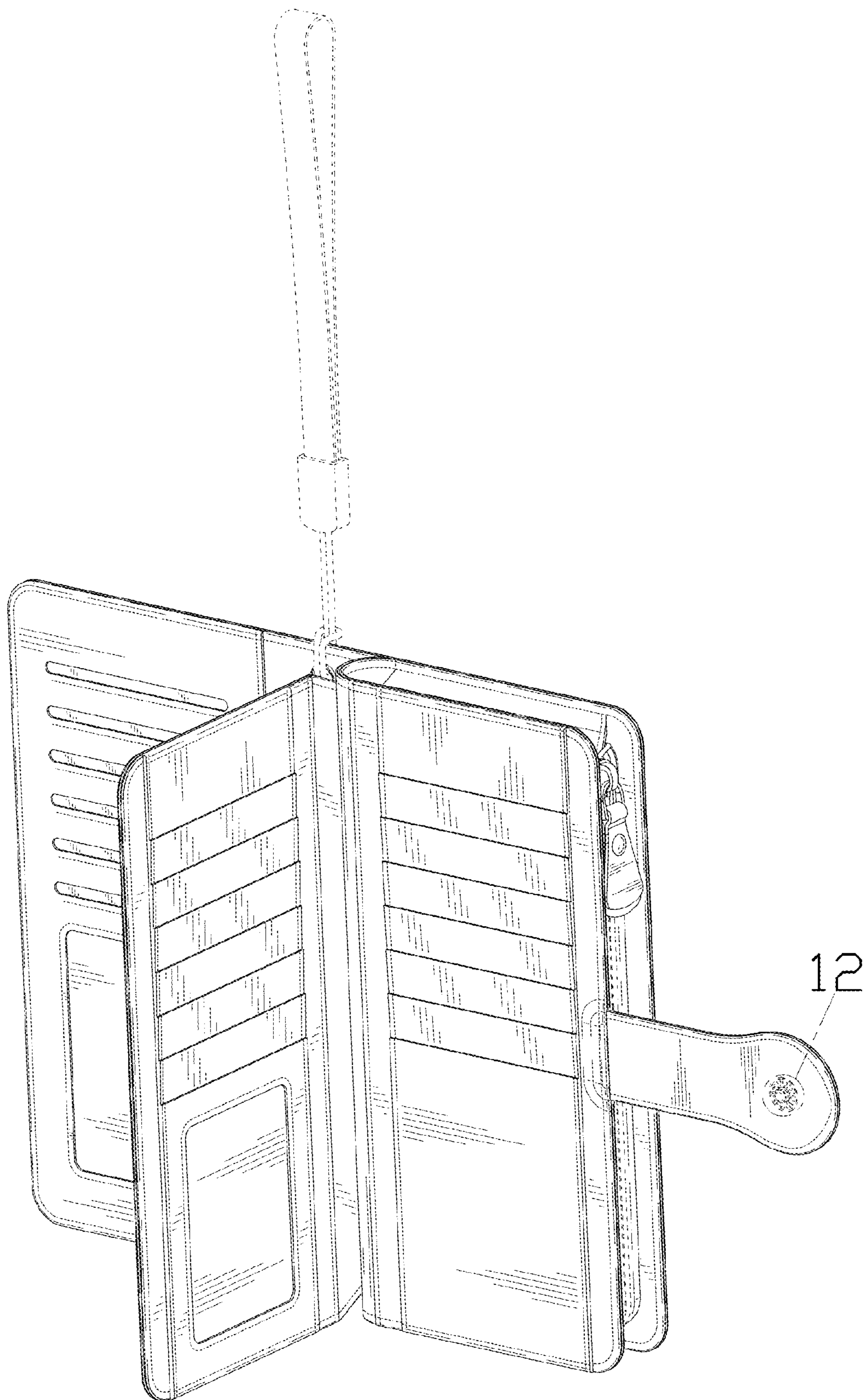


FIG. 2

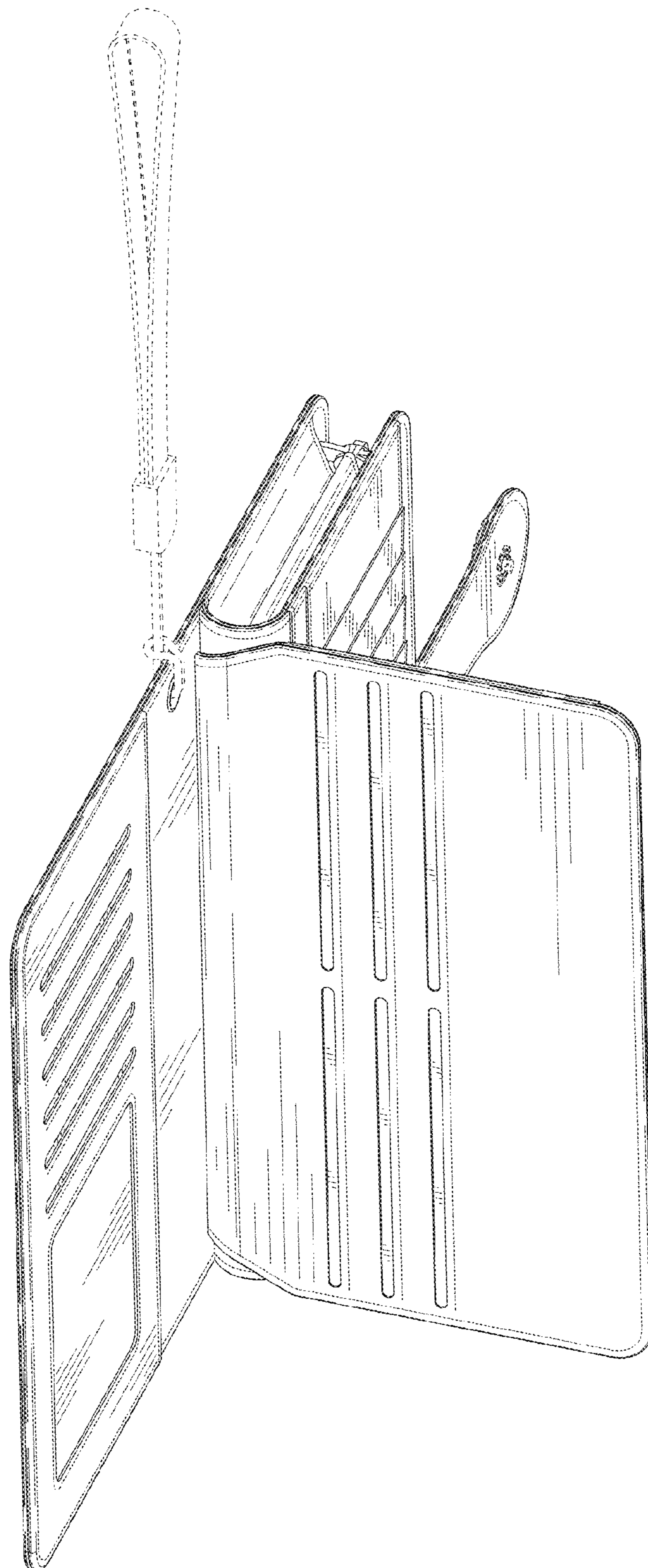


FIG. 3

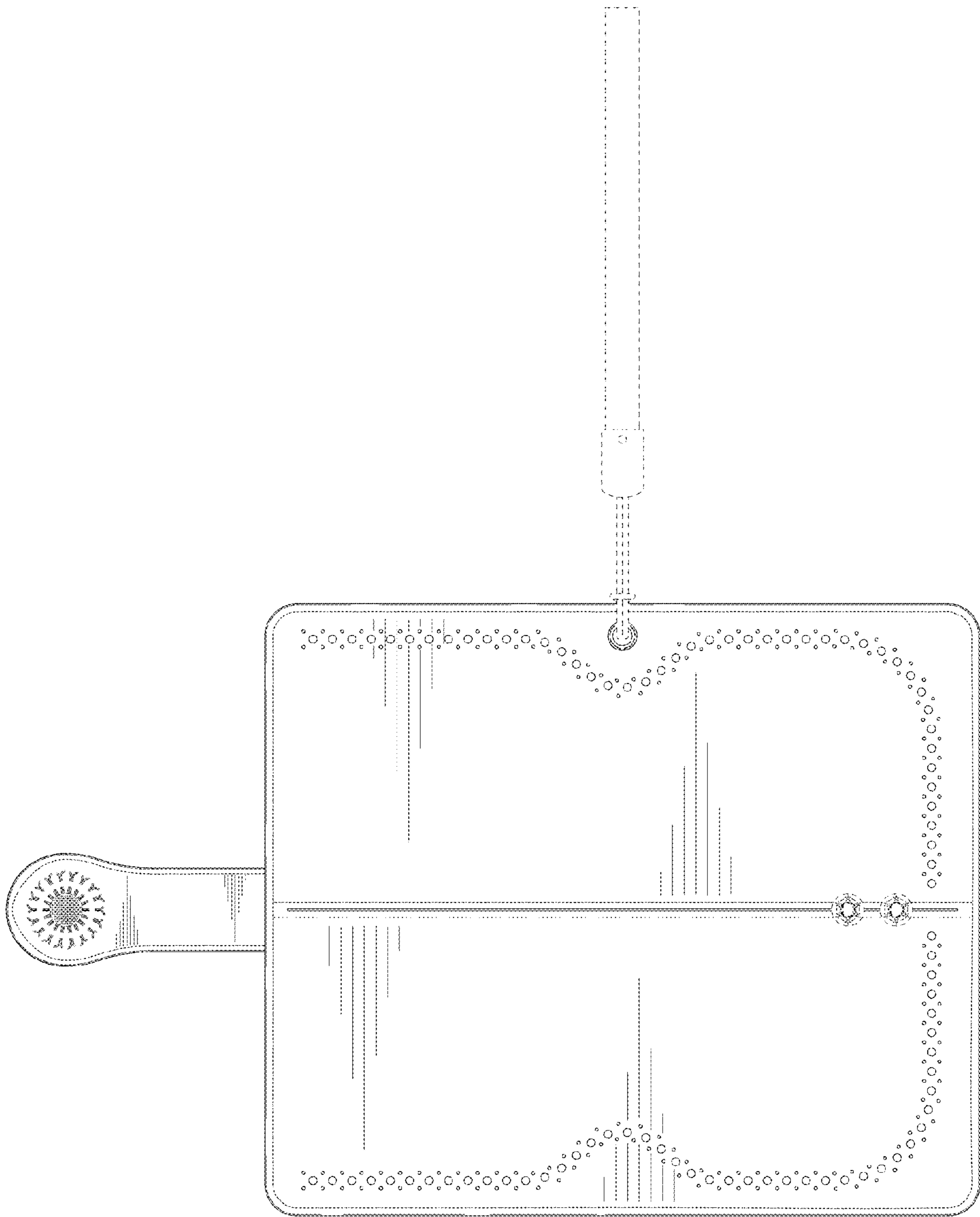


FIG. 4

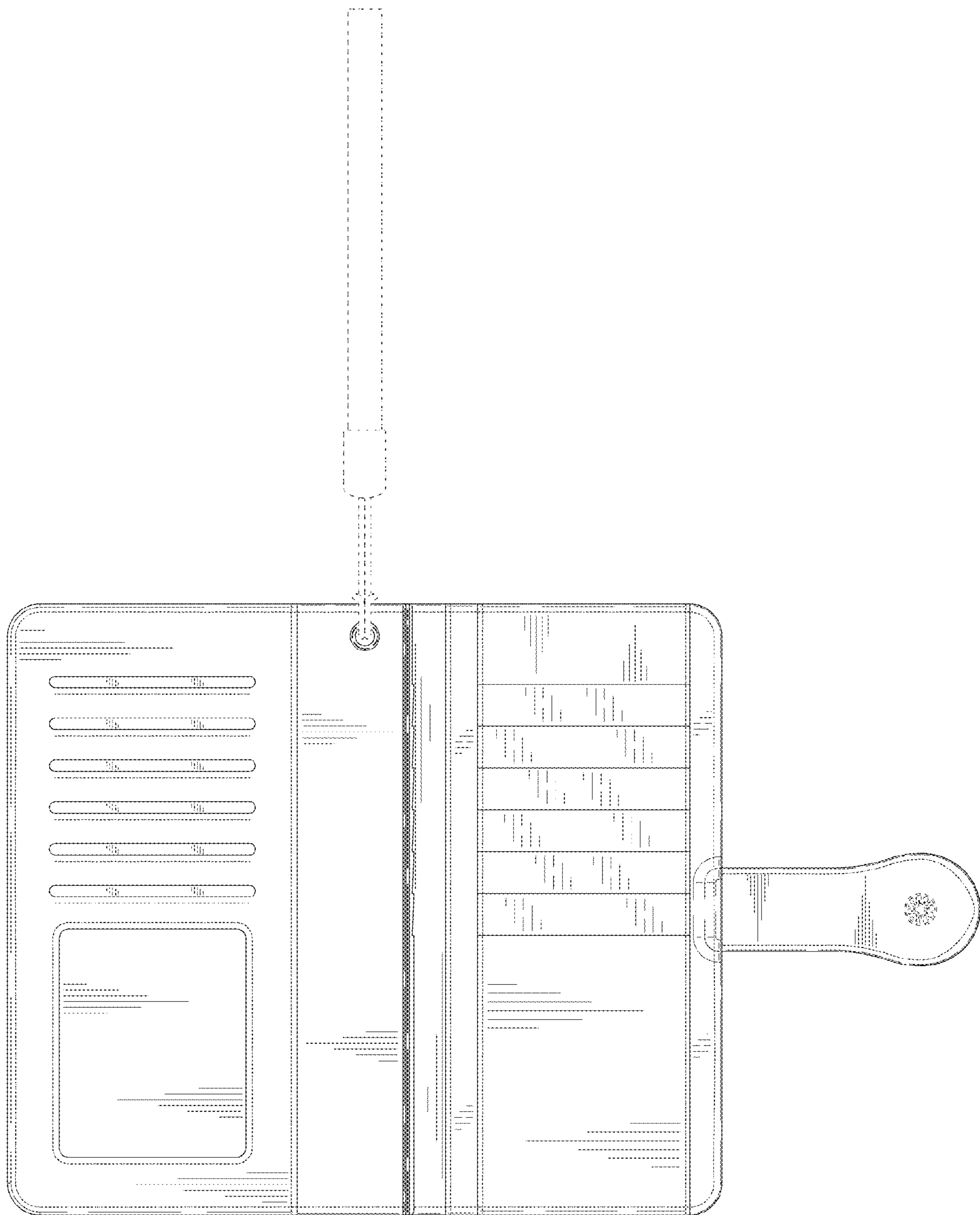


FIG. 5

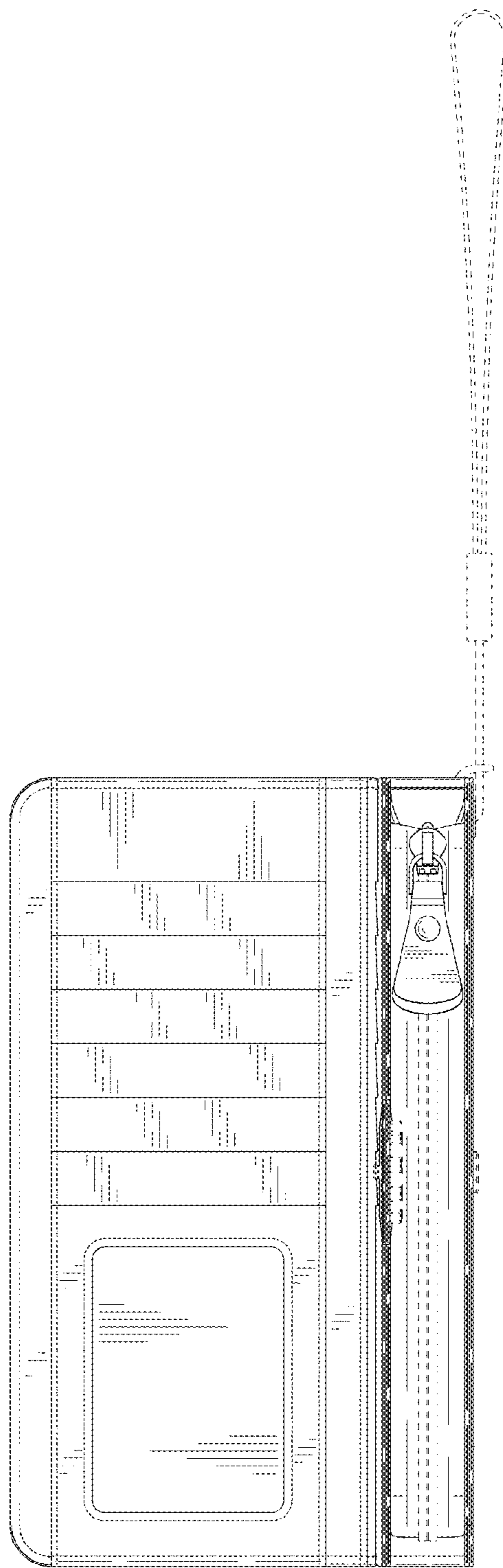


FIG. 6

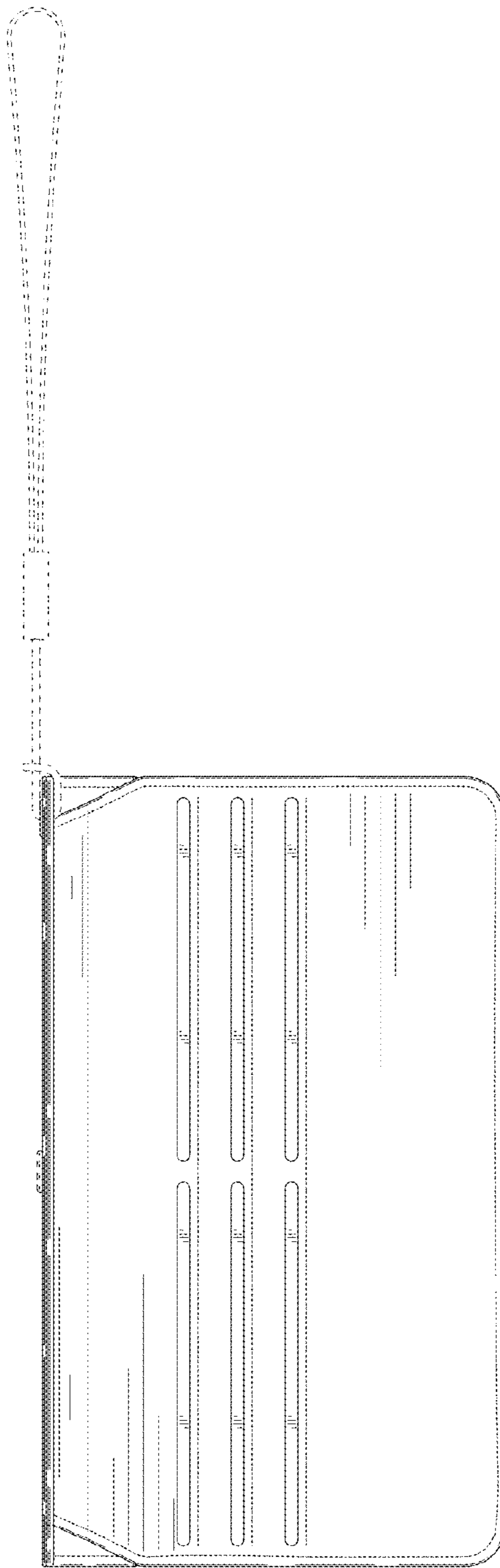


FIG. 7

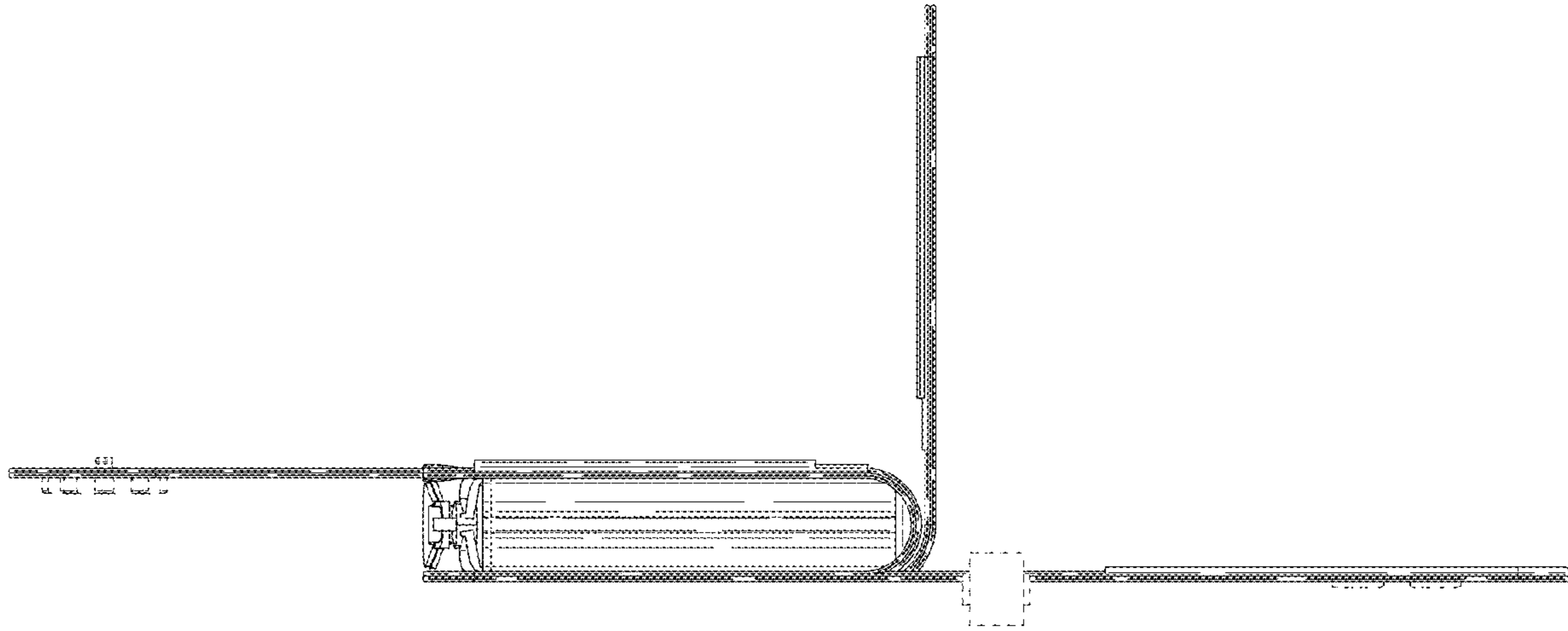


FIG. 8

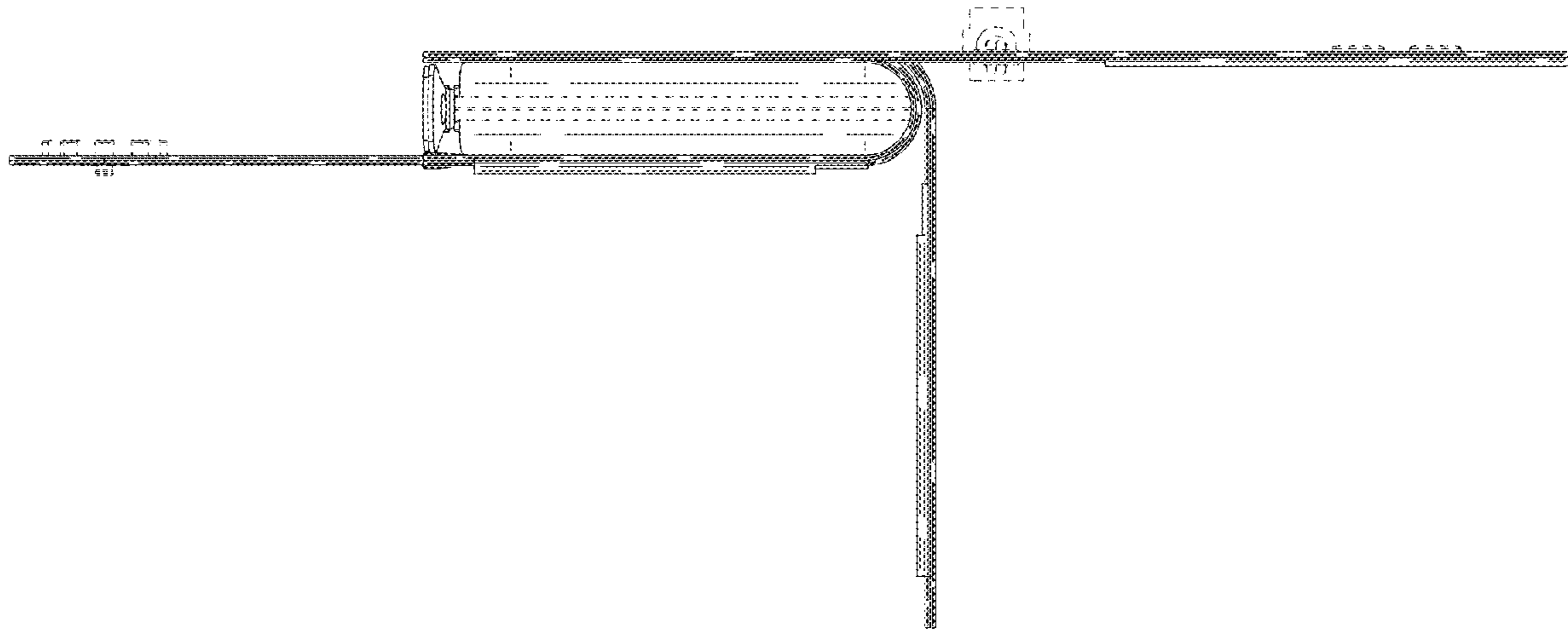


FIG. 9

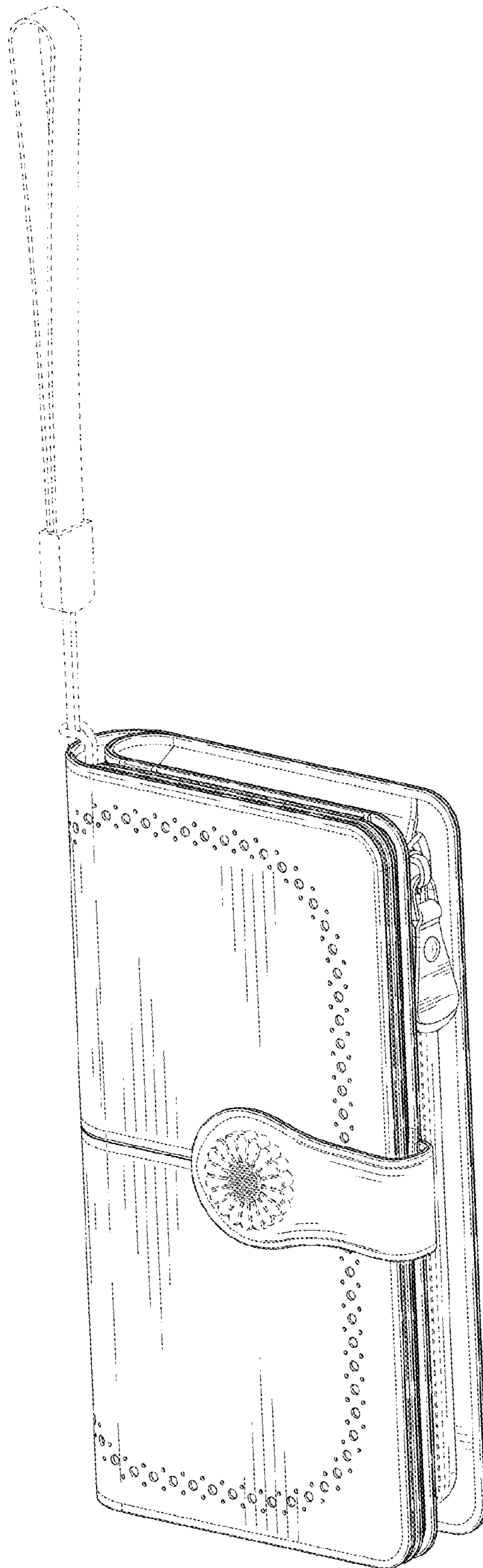


FIG. 10

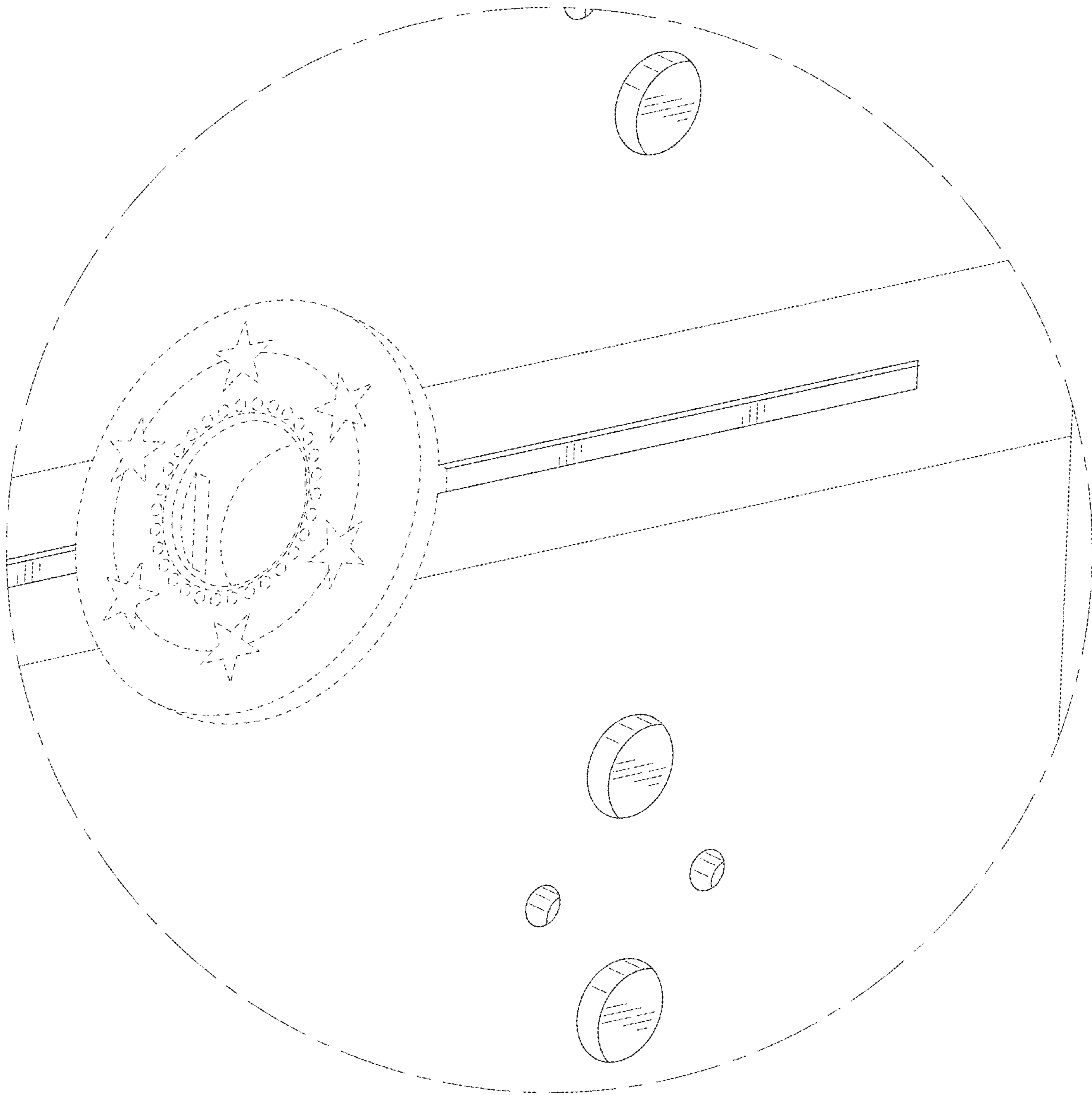


FIG. 11

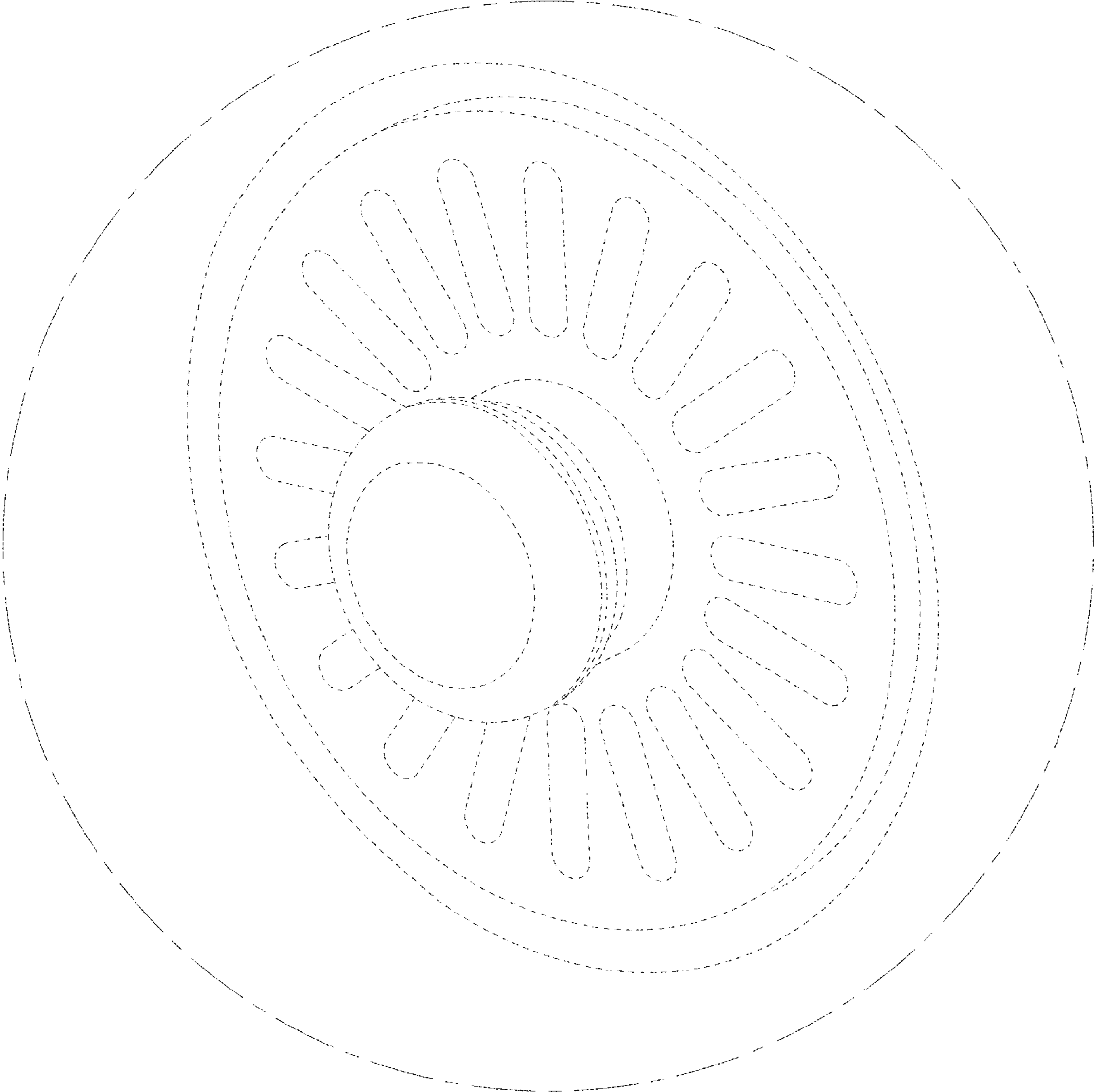


FIG. 12