



US00D961917S

(12) **United States Design Patent** (10) **Patent No.:** **US D961,917 S**
You (45) **Date of Patent:** **** Aug. 30, 2022**

(54) **HOLSTER**
(71) Applicant: **Xiaoli You**, ShenZhen (CN)
(72) Inventor: **Xiaoli You**, ShenZhen (CN)
(**) Term: **15 Years**
(21) Appl. No.: **29/809,786**
(22) Filed: **Sep. 30, 2021**
(51) **LOC (13) Cl.** **03-01**
(52) **U.S. Cl.**
USPC **D3/222**
(58) **Field of Classification Search**
USPC D3/222
CPC A45F 3/02; A45F 3/10; A45F 5/00; A45F
5/02; A45F 5/021; F41C 33/0263; F41C
33/04; F41C 33/041; F41C 33/043; F41C
33/045; F41C 33/048; F41C 33/02; F41C
33/0254; F41C 33/0236
See application file for complete search history.

D601,339 S * 10/2009 Zusman D3/222
D668,453 S * 10/2012 Teichelman D3/222
D702,935 S * 4/2014 Rogers D3/222
D784,008 S * 4/2017 Rogers D3/222
D874,131 S * 2/2020 Zhang D3/222
D877,498 S 3/2020 Lindell
2021/0278171 A1* 9/2021 Su F41C 33/0263
2021/0389082 A1* 12/2021 Smith F41C 33/0263

* cited by examiner

Primary Examiner — Catherine R Oliver-Garcia

(57) **CLAIM**

The ornamental design for a holster, as shown and described.

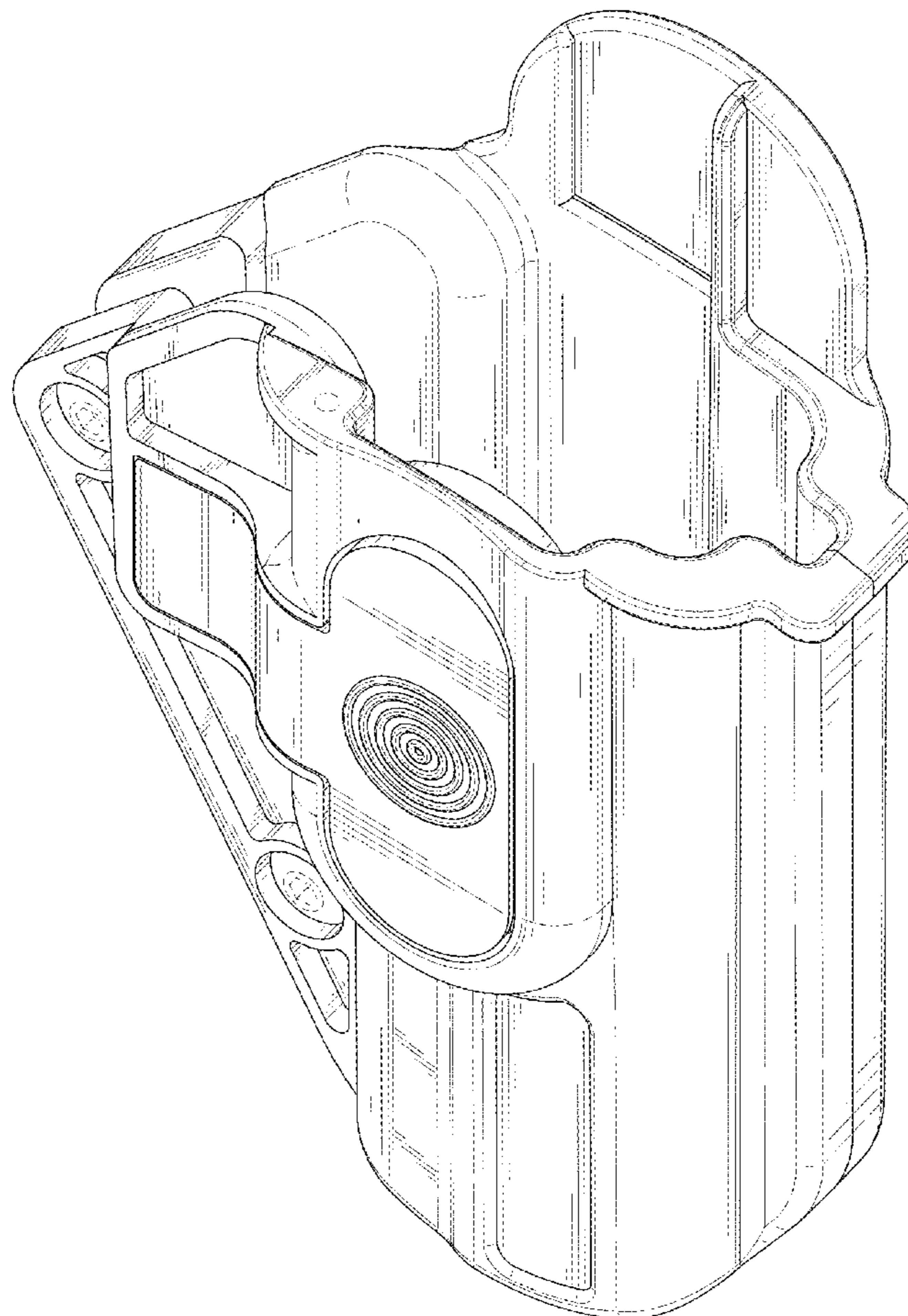
DESCRIPTION

FIG. 1 is a front and top perspective view of a holster, showing my new design;
FIG. 2 is a rear and bottom perspective view thereof;
FIG. 3 is a front elevation view thereof;
FIG. 4 is a rear elevation view thereof;
FIG. 5 is a left side elevation view thereof;
FIG. 6 is a right side elevation view thereof;
FIG. 7 is a top plan view thereof; and,
FIG. 8 is a bottom plan view thereof.
The broken lines in the figures illustrate portions of the holster that form no part of the claimed design.

(56) **References Cited**
U.S. PATENT DOCUMENTS

D582,150 S * 12/2008 Har Shen D3/222
D594,649 S * 6/2009 Zusman D3/222

1 Claim, 8 Drawing Sheets



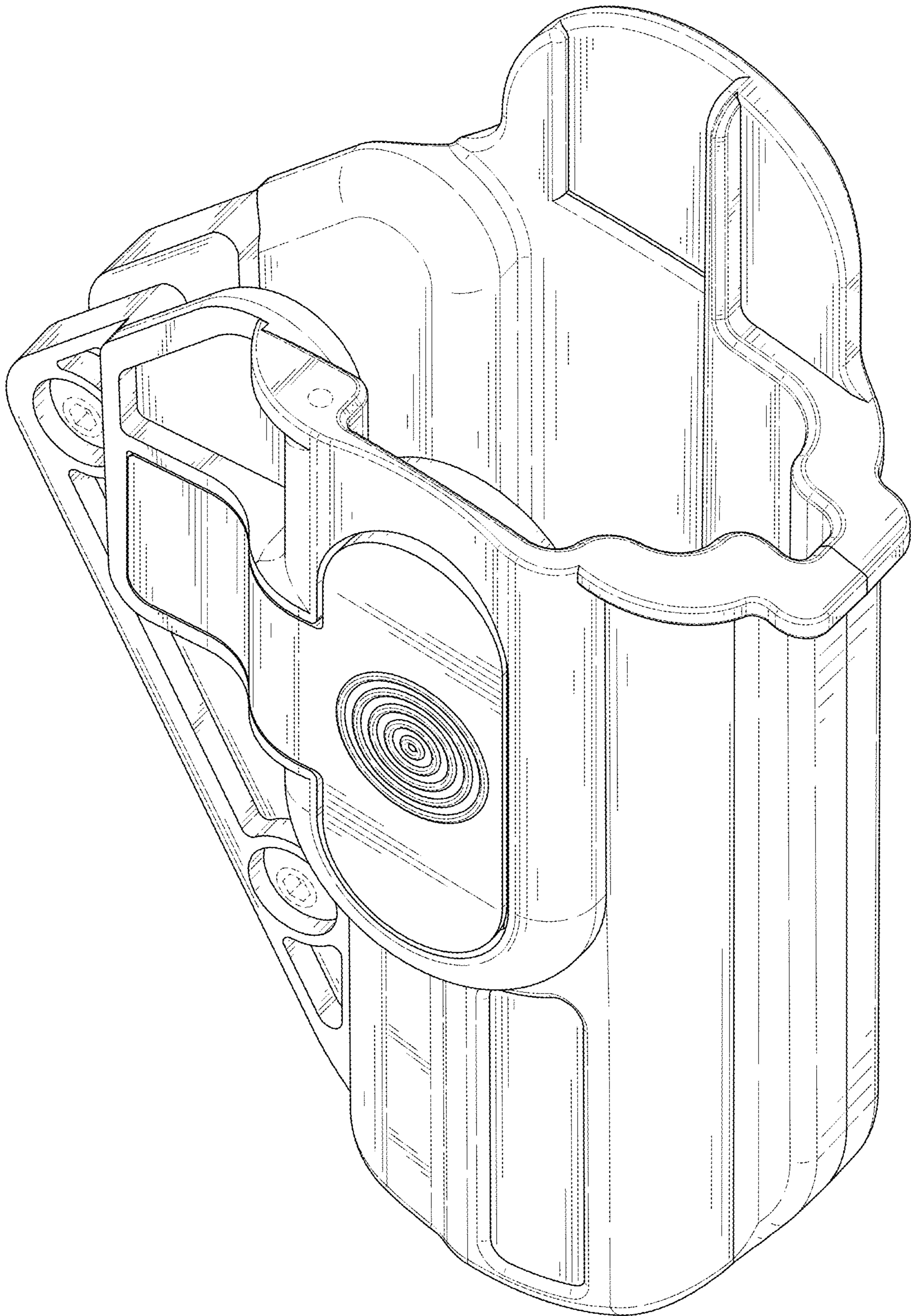


FIG. 1

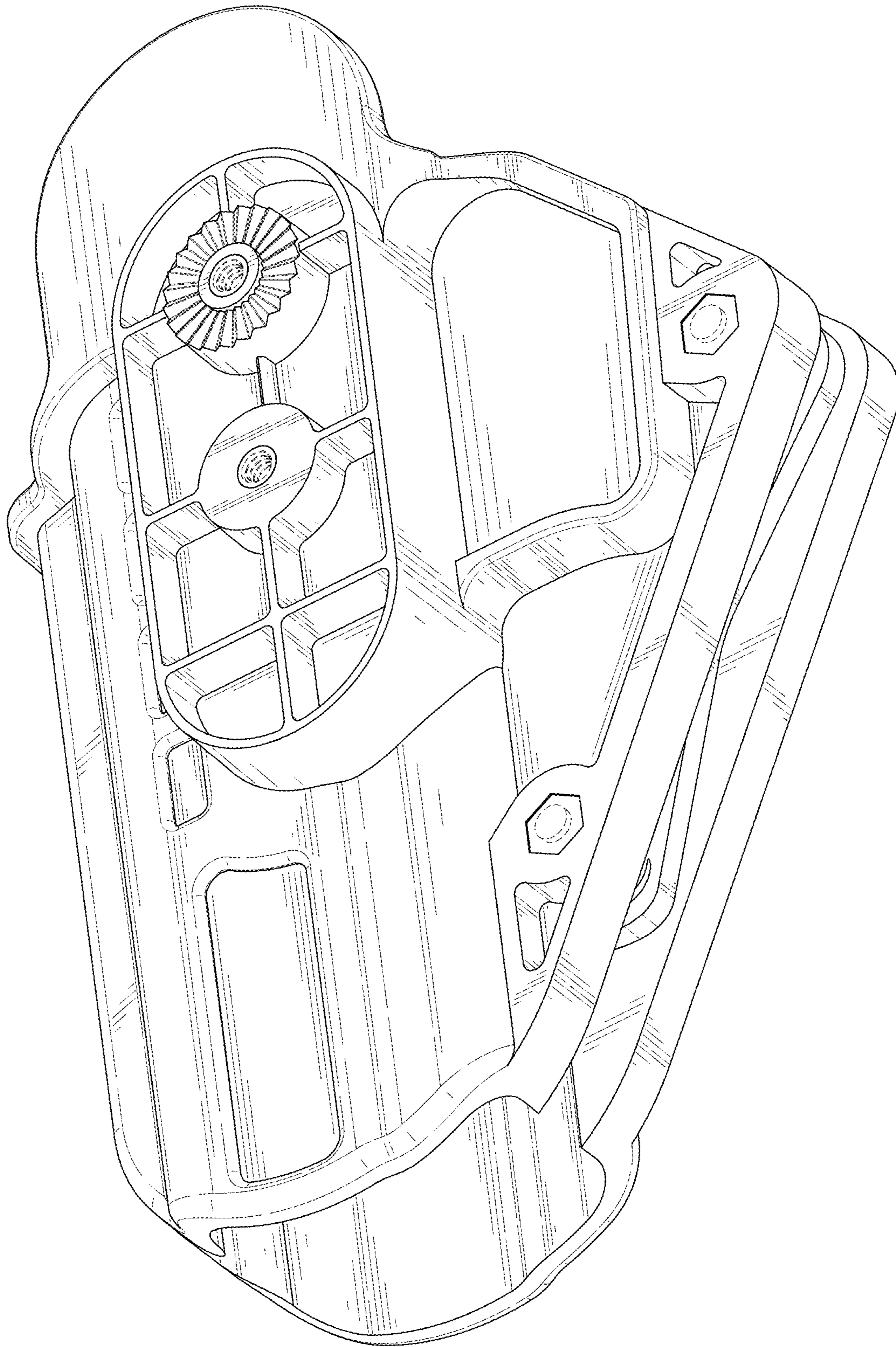


FIG. 2

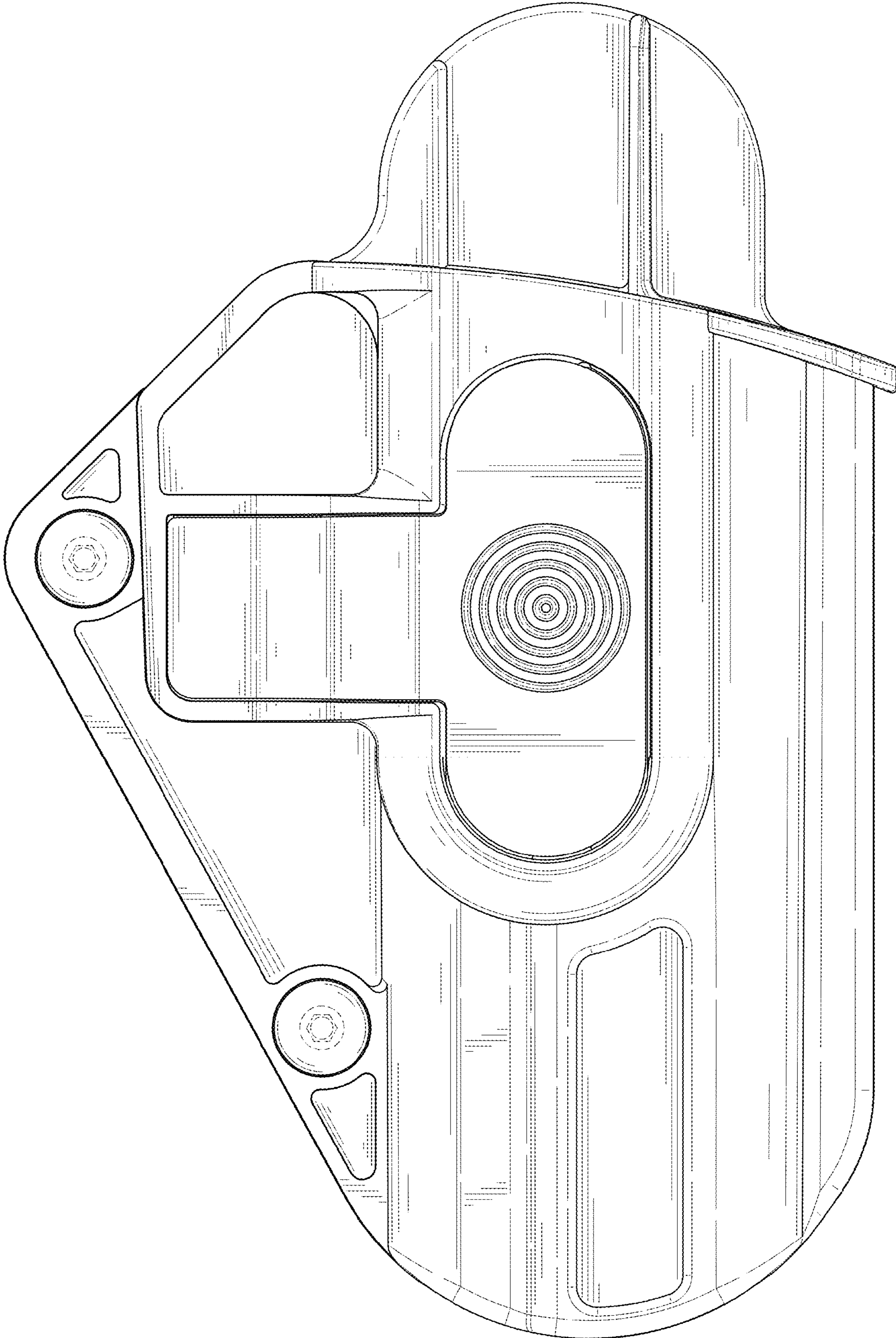


FIG. 3

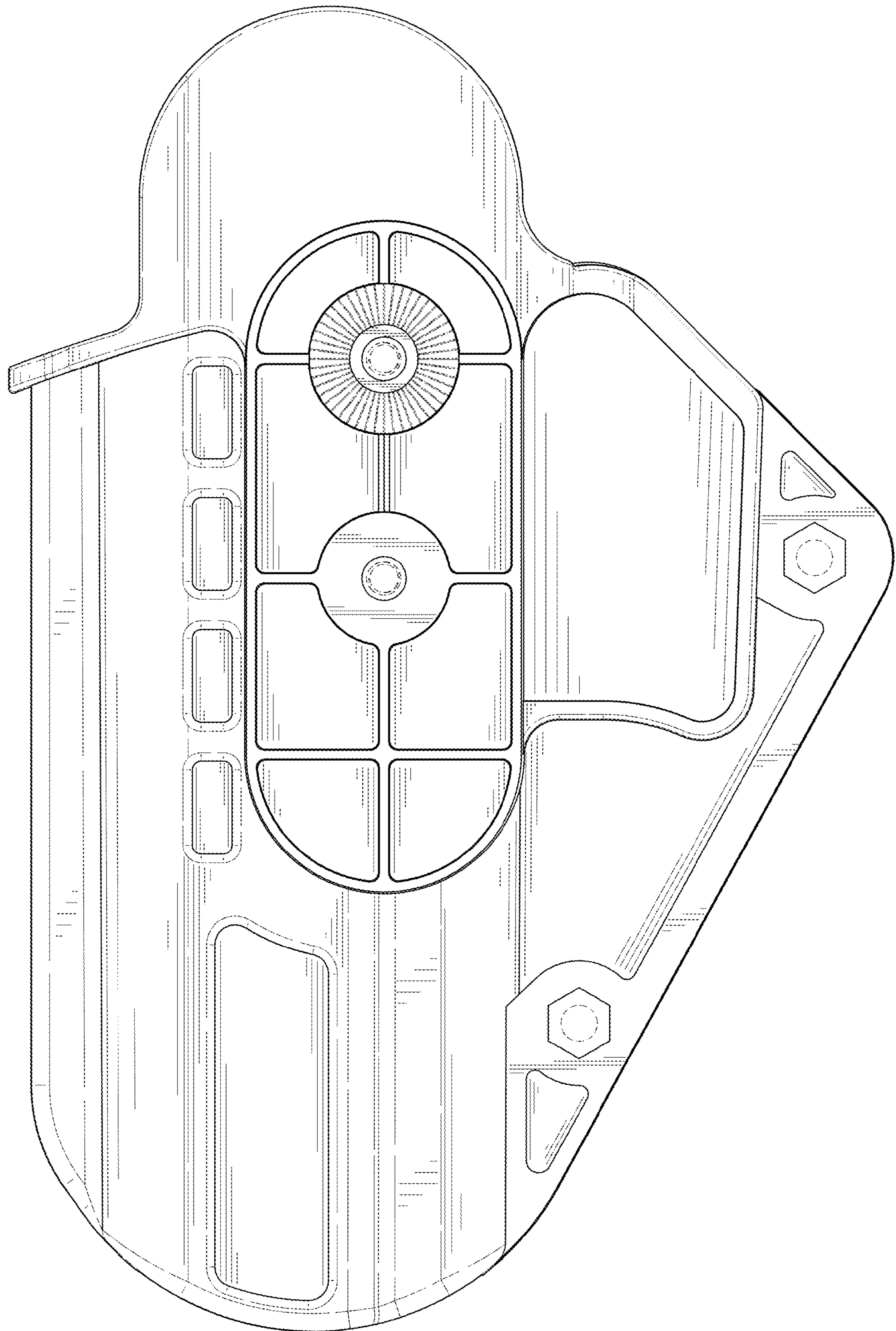


FIG. 4

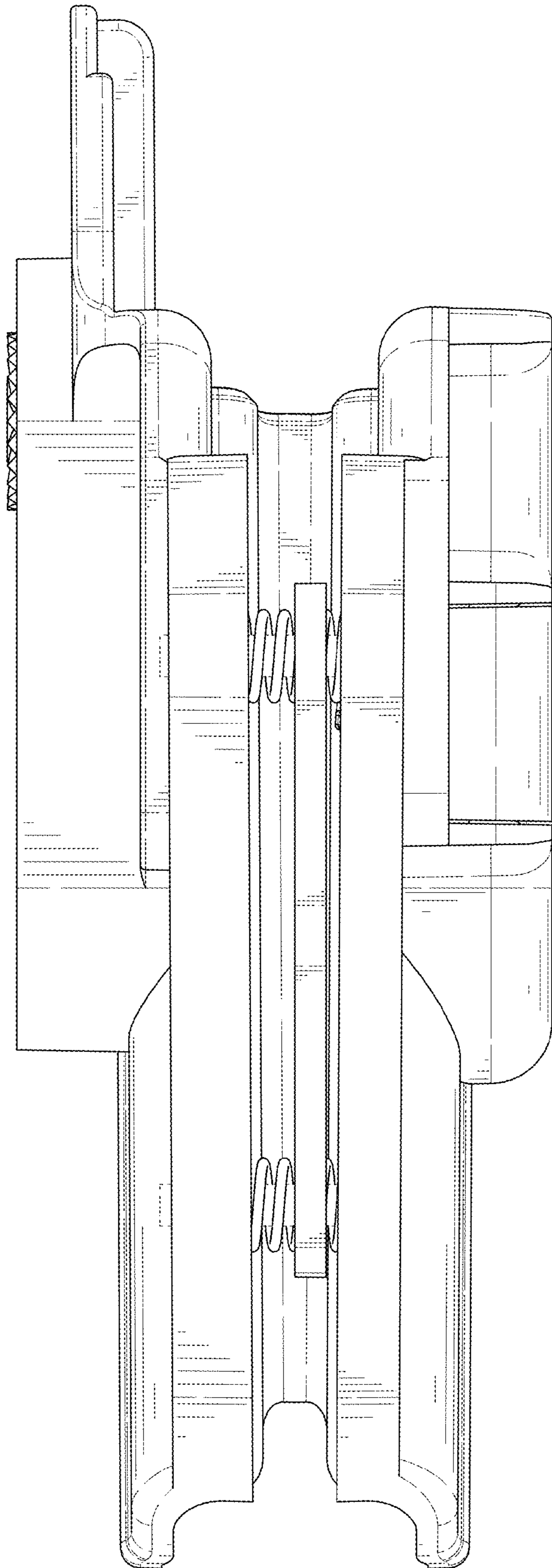


FIG. 5

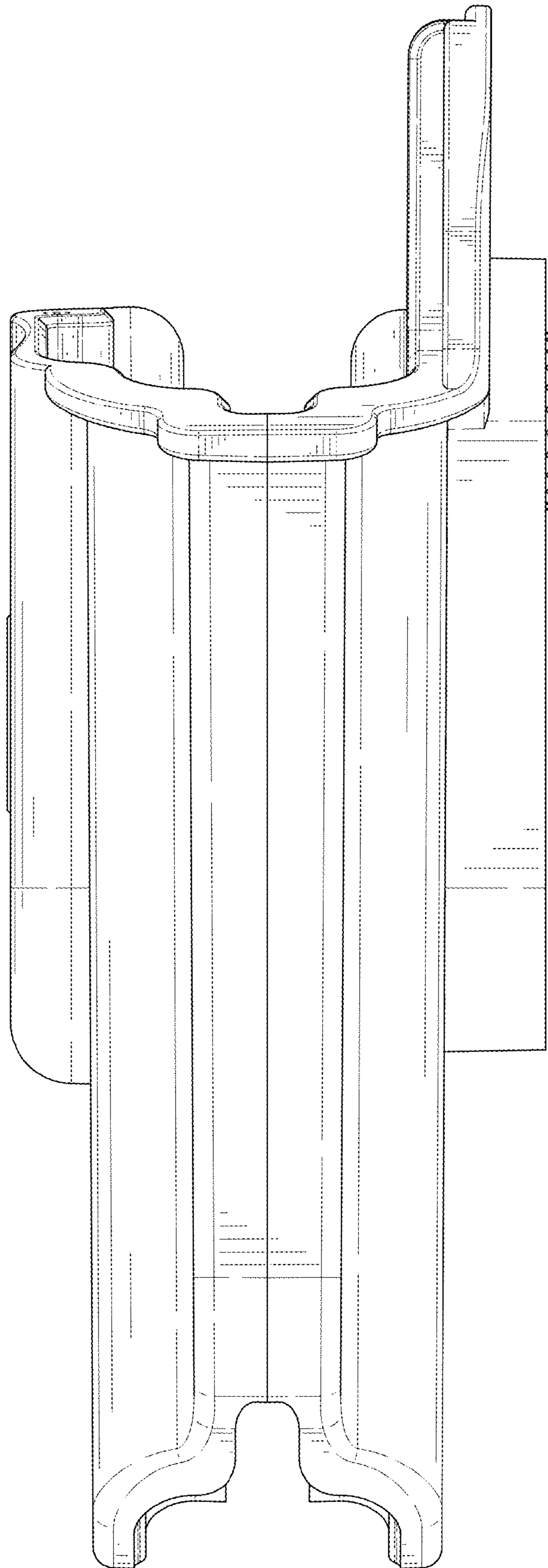


FIG. 6

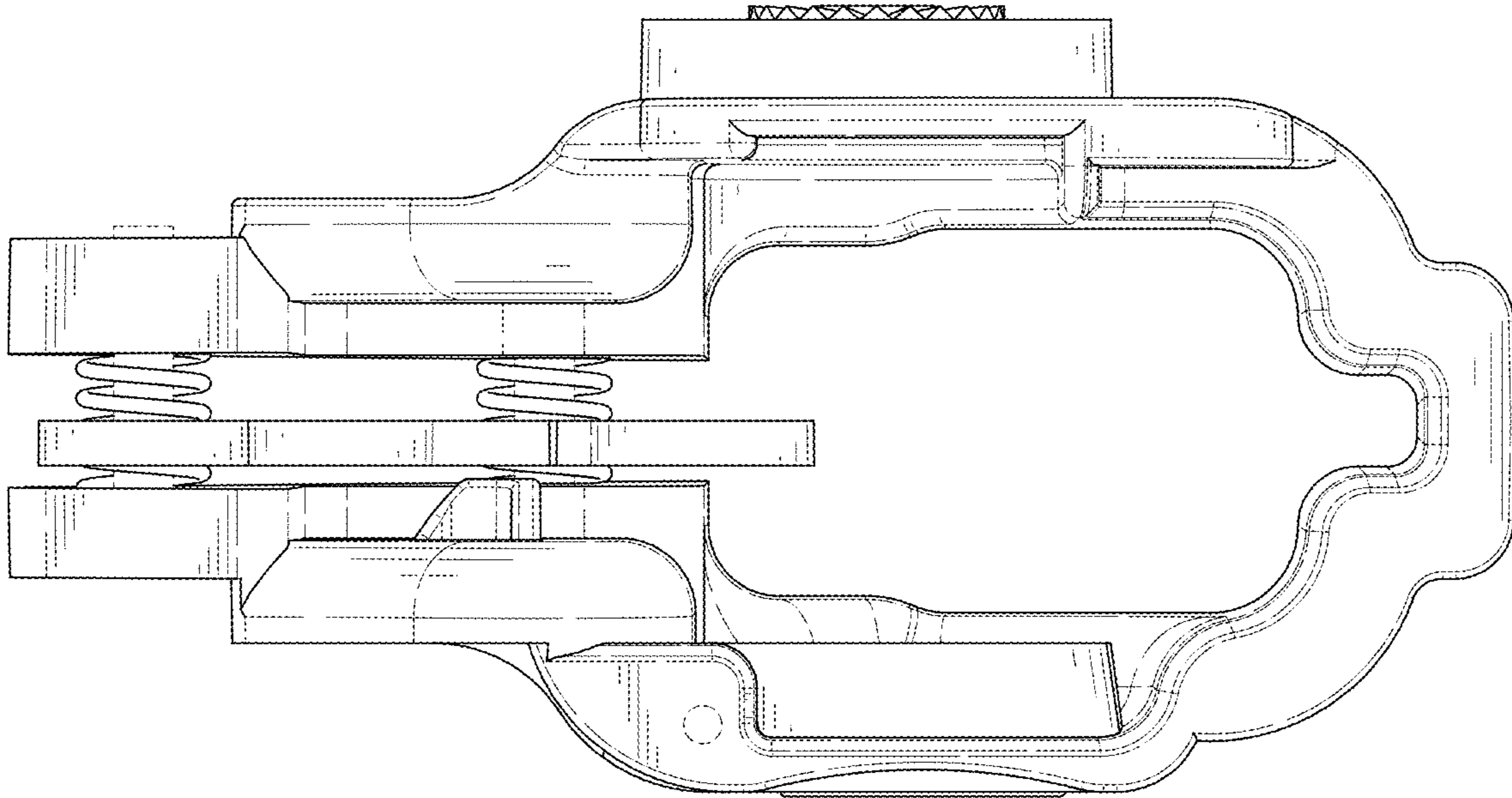


FIG. 7

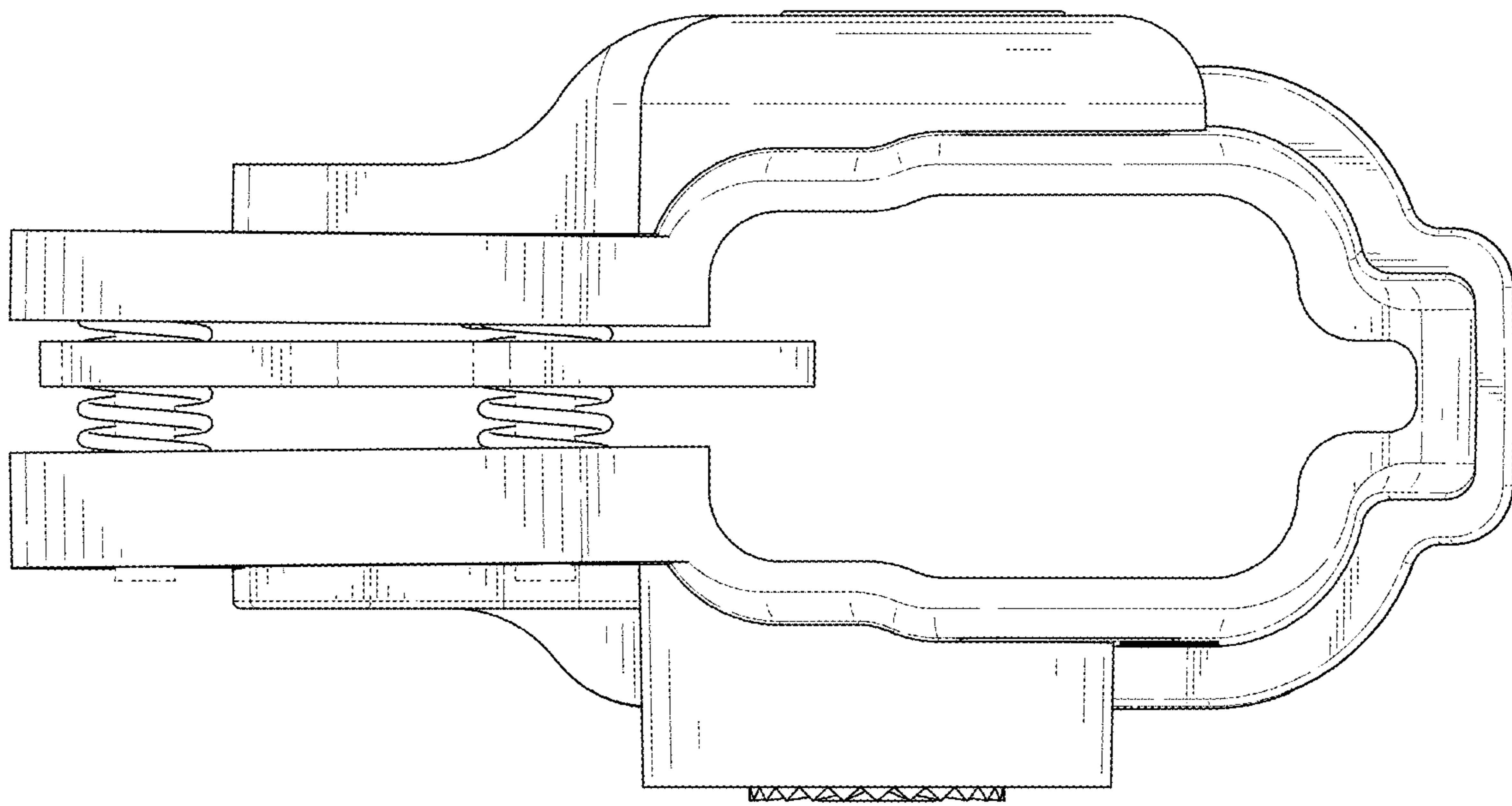


FIG. 8