



US00D961916S

(12) **United States Design Patent** (10) **Patent No.:** **US D961,916 S**
You (45) **Date of Patent:** **** Aug. 30, 2022**

(54) **HOLSTER**

(71) Applicant: **Xiaoli You**, ShenZhen (CN)

(72) Inventor: **Xiaoli You**, ShenZhen (CN)

(**) Term: **15 Years**

(21) Appl. No.: **29/803,128**

(22) Filed: **Aug. 10, 2021**

(51) **LOC (13) Cl.** **03-01**

(52) **U.S. Cl.**
USPC **D3/222**

(58) **Field of Classification Search**
USPC D3/222

CPC A45F 3/02; A45F 3/10; A45F 5/00; A45F 5/02; A45F 5/021; F41C 33/0263; F41C 33/02; F41C 33/04; F41C 33/041; F41C 33/043; F41C 33/045; F41C 33/048; F41C 33/0254; F41C 33/0236; F42B 39/02

See application file for complete search history.

(56) **References Cited**

U.S. PATENT DOCUMENTS

3,642,183	A *	2/1972	Boren	F41C 33/041
					224/911
D877,498	S	3/2020	Lindell		
10,634,452	B1 *	4/2020	Chester	F41C 33/0263
2018/0224240	A1 *	8/2018	Sereday	F41C 33/0263
2022/0107159	A1 *	4/2022	Yeates	F41C 33/0254

OTHER PUBLICATIONS

[https://www.amazon.com/quanlei-Tactical-Right-Holster-Suitable/dp/B07H7RFGBQ/ref=sr_1_36?crd=1ID9UJUNT63KN&keywords=level%2Bii%2FIII%2Bduty%2Bholster%2Bcompatible%2Bwith%2Bglock%2B17%2F19%2F19x%2F23%2F31%2F32%2F45\(gen%2B1-5\)%2C%2Bg22\(gen%2B1-4\)%2C%2Bholster%2Bfor%2Bduty%2Bbelt%2C%2Bnot%2Bfit%2Bg22%2Bgen5%2Cride%2Bheight%2Badjustable%2C%2Bkydex&qid=1654182940&sprefix=%2Caps%2C69&sr=8-36&th=1](https://www.amazon.com/quanlei-Tactical-Right-Holster-Suitable/dp/B07H7RFGBQ/ref=sr_1_36?crd=1ID9UJUNT63KN&keywords=level%2Bii%2FIII%2Bduty%2Bholster%2Bcompatible%2Bwith%2Bglock%2B17%2F19%2F19x%2F23%2F31%2F32%2F45(gen%2B1-5)%2C%2Bg22(gen%2B1-4)%2C%2Bholster%2Bfor%2Bduty%2Bbelt%2C%2Bnot%2Bfit%2Bg22%2Bgen5%2Cride%2Bheight%2Badjustable%2C%2Bkydex&qid=1654182940&sprefix=%2Caps%2C69&sr=8-36&th=1) (Year: 2018).*

https://www.amazon.com/BlackHawk-Level-Holster-Available-options/dp/B000KOVUP0/ref=sr_1_186?crd=2BS81RXFA83DM&keywords=holsters&qid=1654129383&sprefix=%2Caps%2C39&sr=8-186 (Year: 2006).*

* cited by examiner

Primary Examiner — Catherine R Oliver-Garcia

(57) **CLAIM**

The ornamental design for a holster, as shown and described.

DESCRIPTION

FIG. 1 is a front and top perspective view of a holster, showing my new design;

FIG. 2 is a rear and bottom perspective view thereof;

FIG. 3 is a front elevation view thereof;

FIG. 4 is a rear elevation view thereof;

FIG. 5 is a left side elevation view thereof;

FIG. 6 is a right side elevation view thereof;

FIG. 7 is a top plan view thereof;

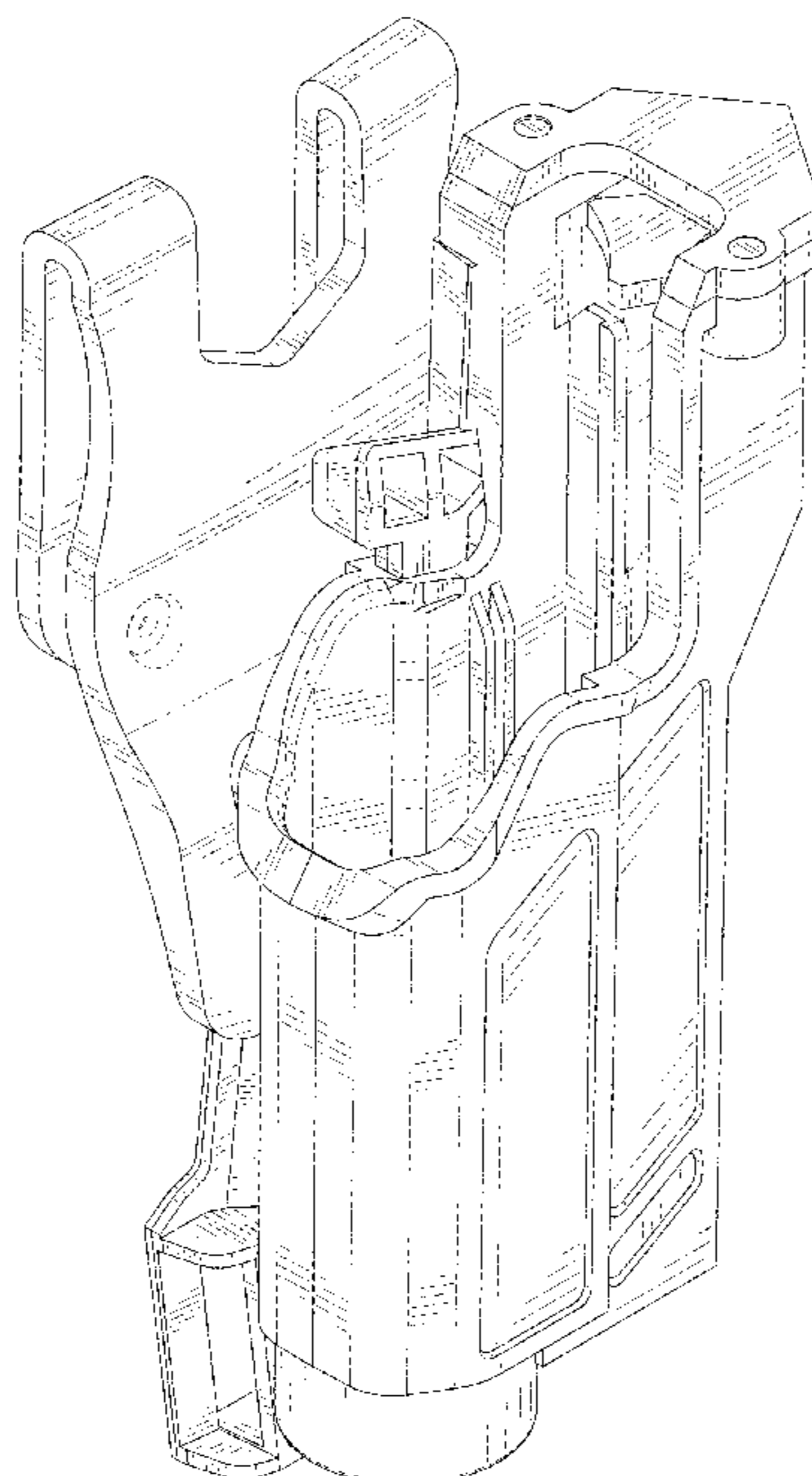
FIG. 8 is a bottom plan view thereof;

FIG. 9 is an enlarged view of a portion indicated with numeric 9 in FIG. 6; and,

FIG. 10 is an enlarged view of a portion labeled, 'FIG. 10' in FIG. 7.

The broken lines in the figures illustrate portions of the holster that form no part of the claimed design. The dash dot dash lines in FIGS. 6, 7, 9 and 10 are for the purpose of depicting the boundary lines of the enlarged views and form no part of the claimed design.

1 Claim, 10 Drawing Sheets



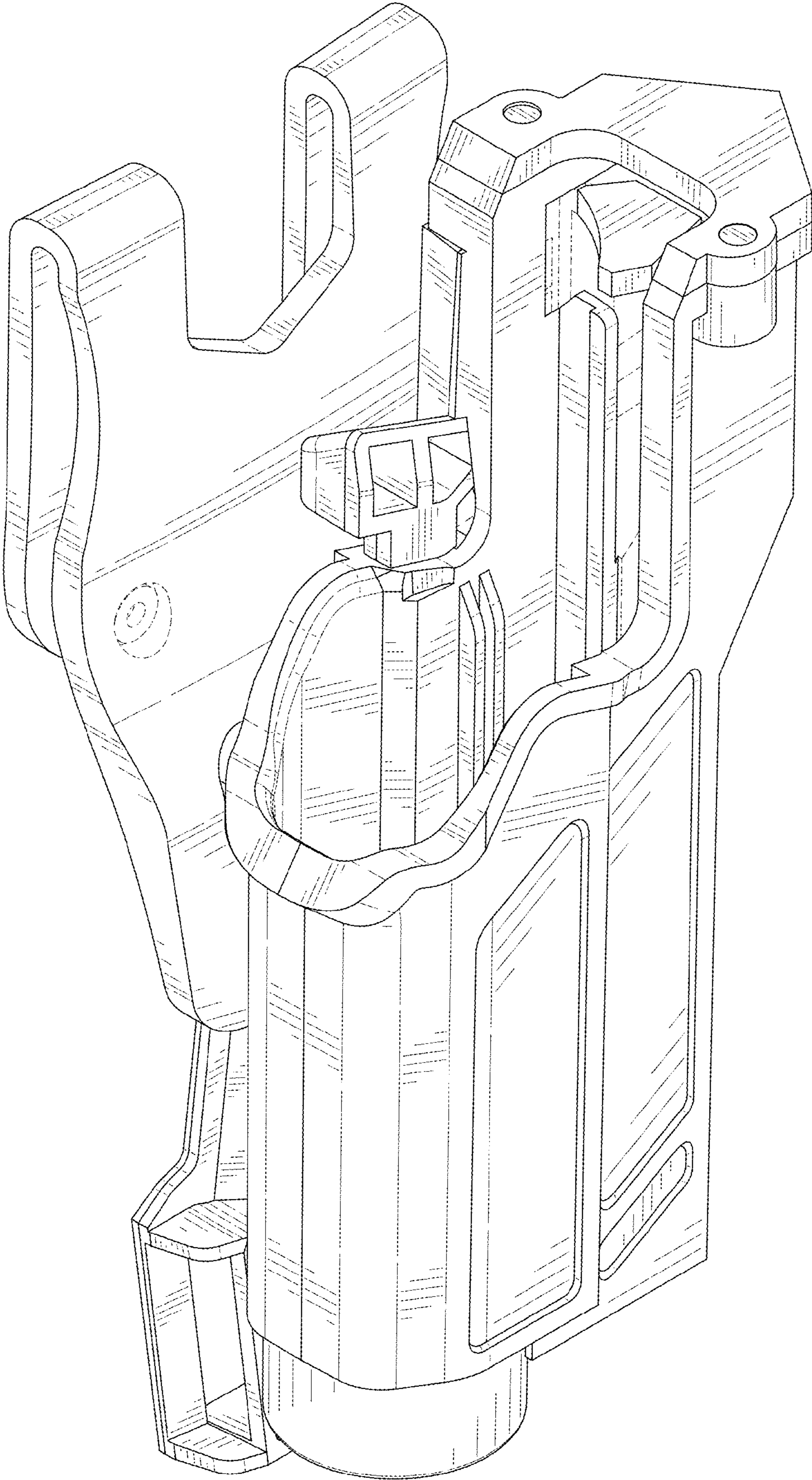


FIG. 1

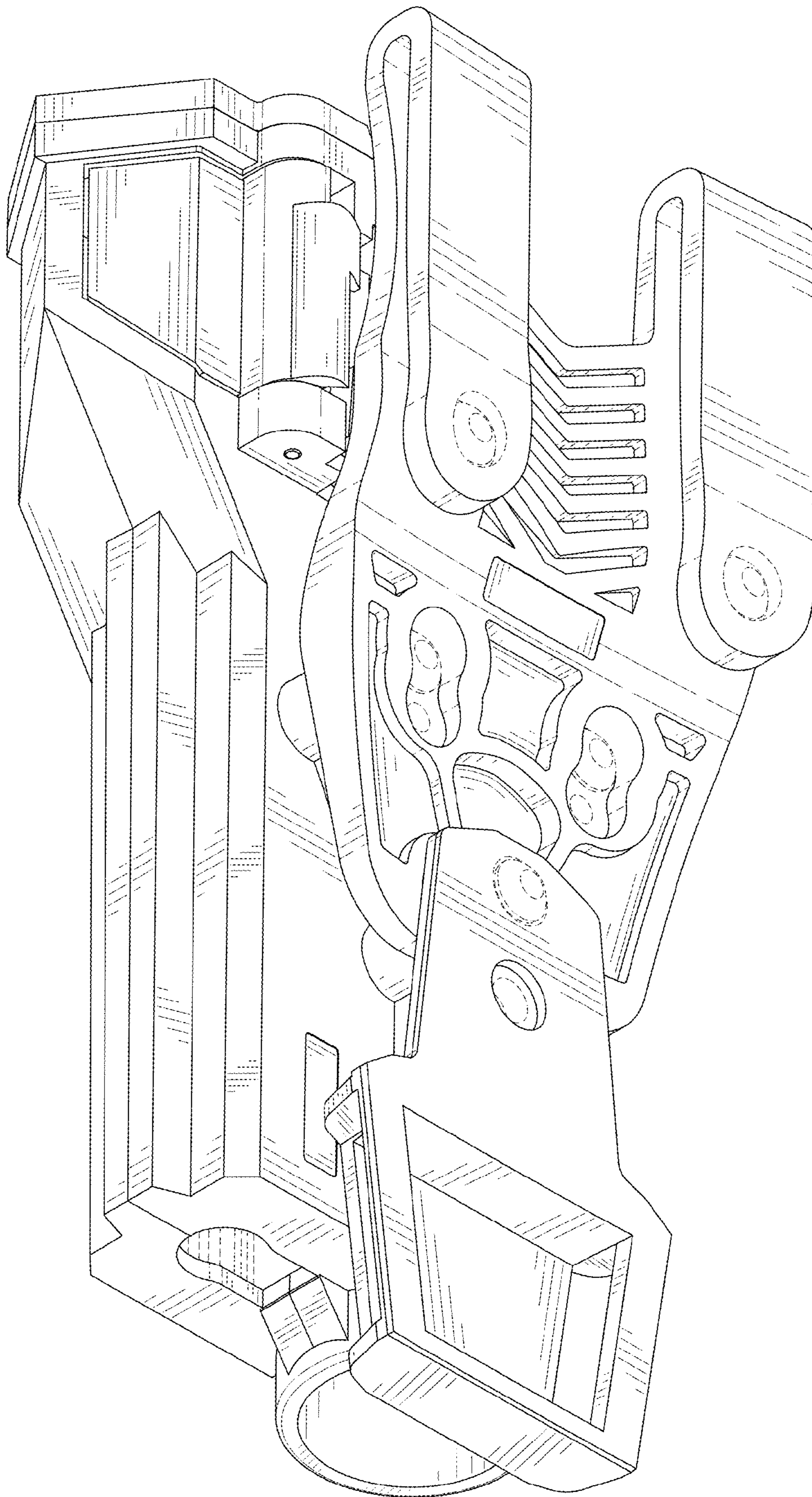


FIG. 2

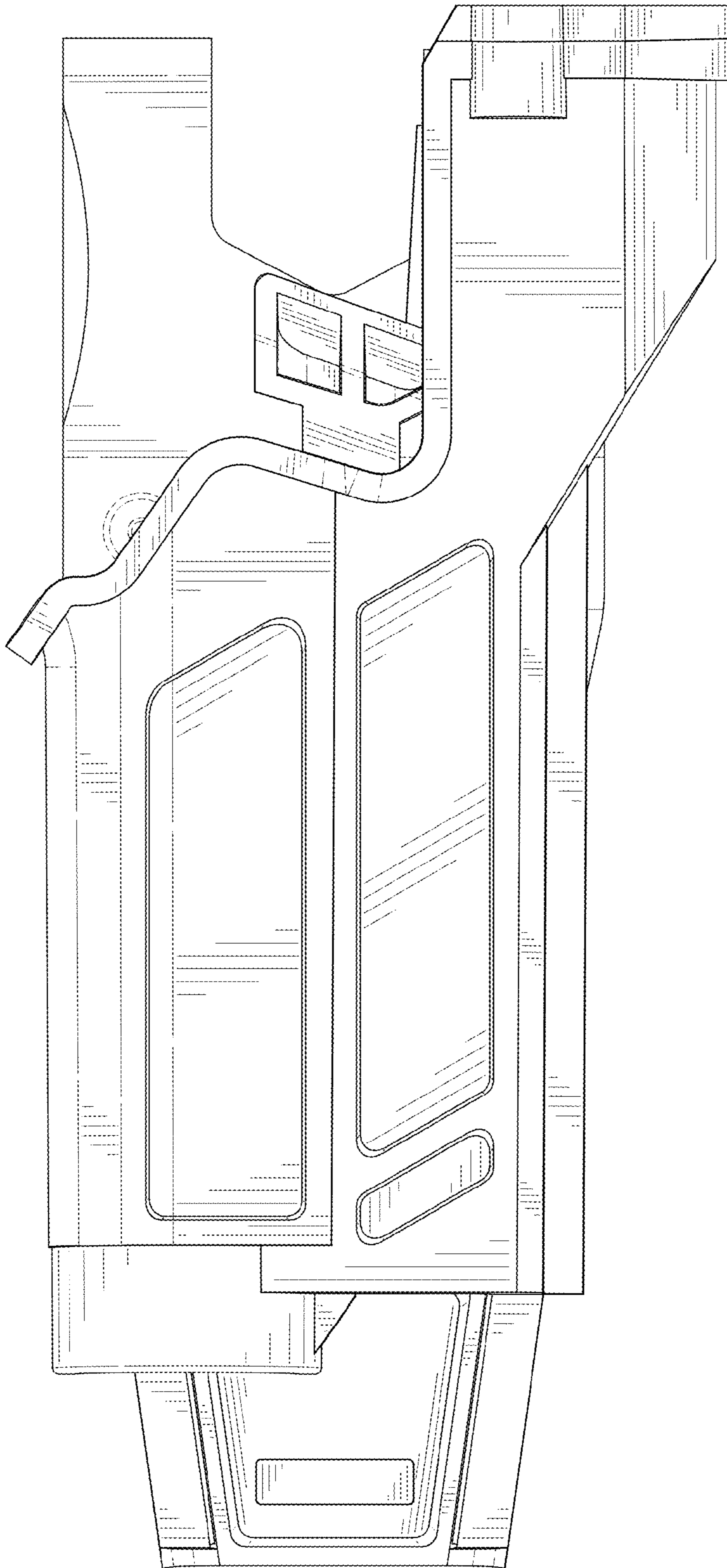


FIG. 3

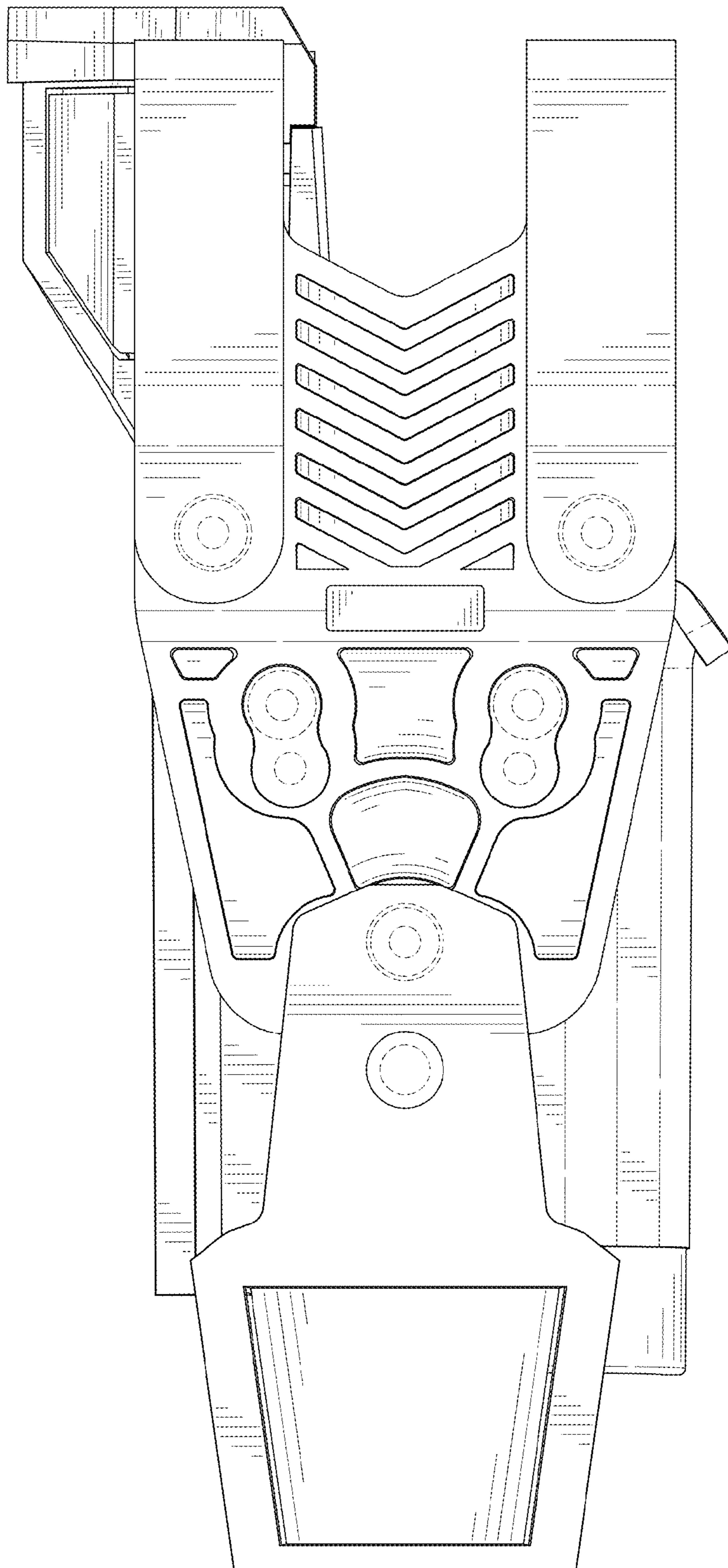


FIG. 4

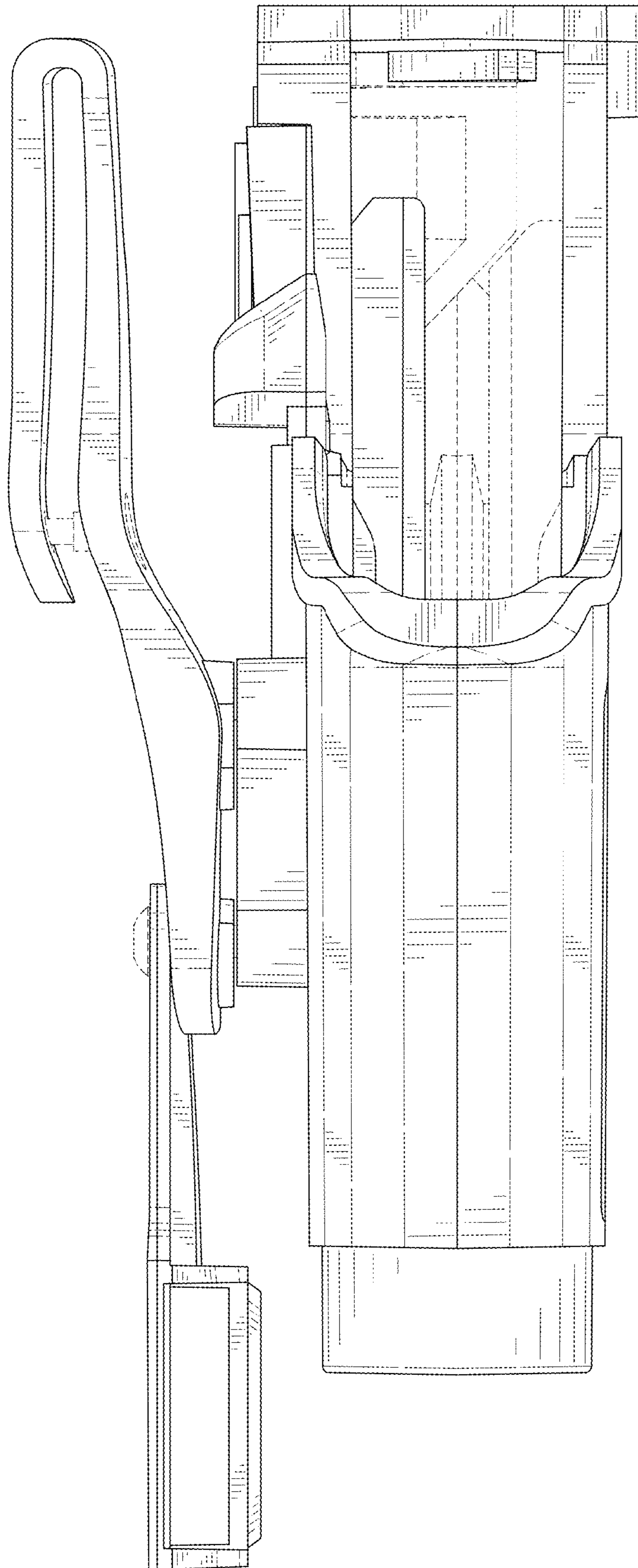


FIG. 5

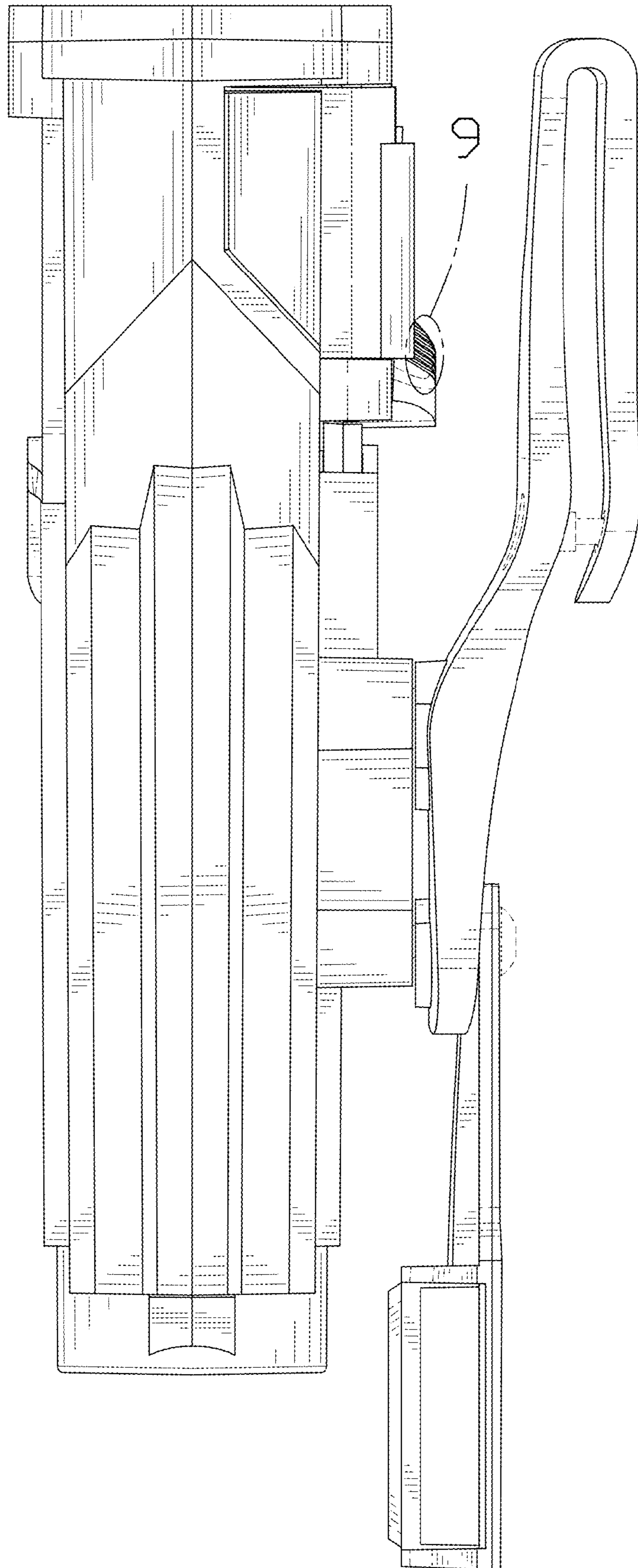


FIG. 6

FIG. 10

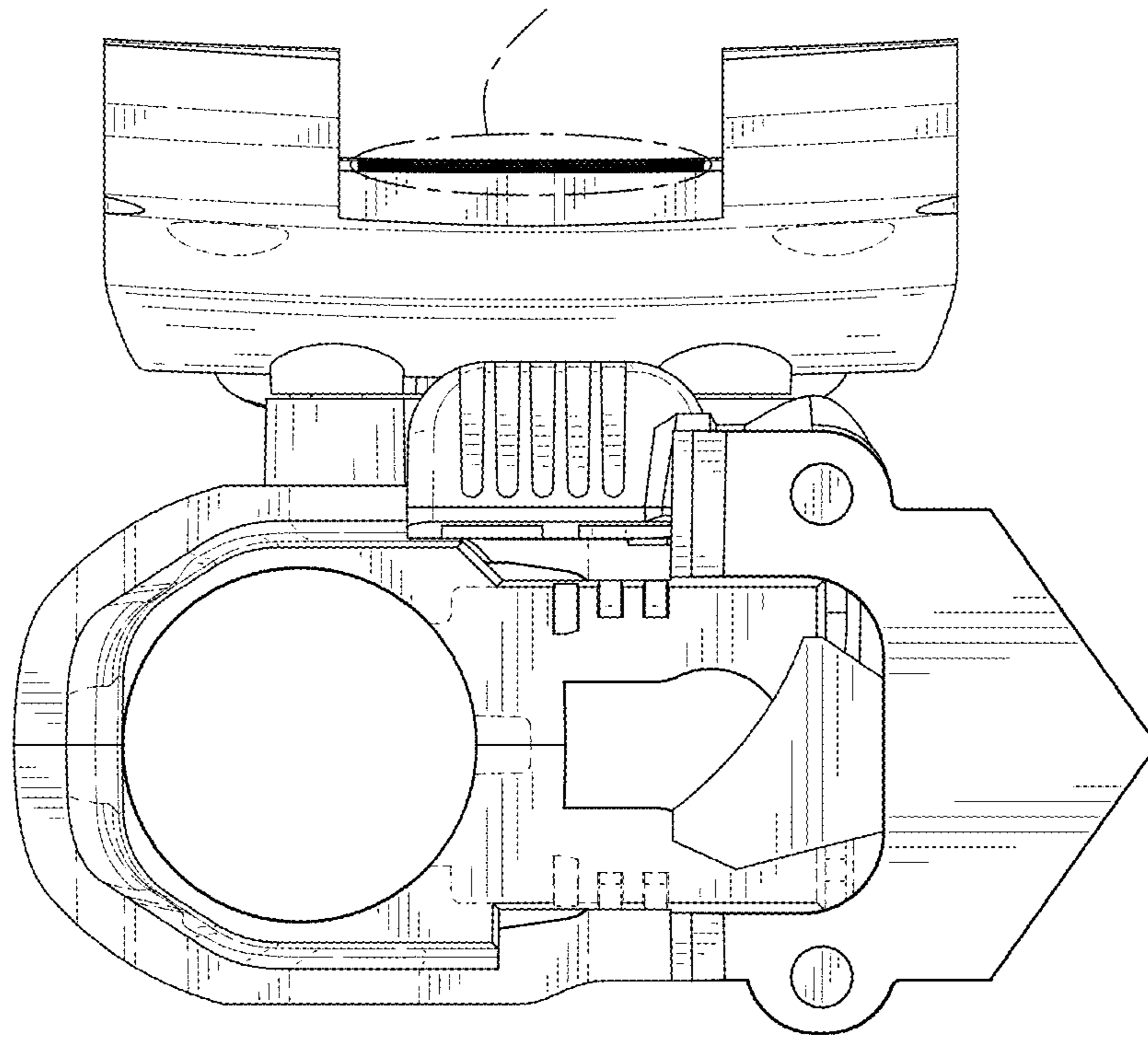


FIG. 7

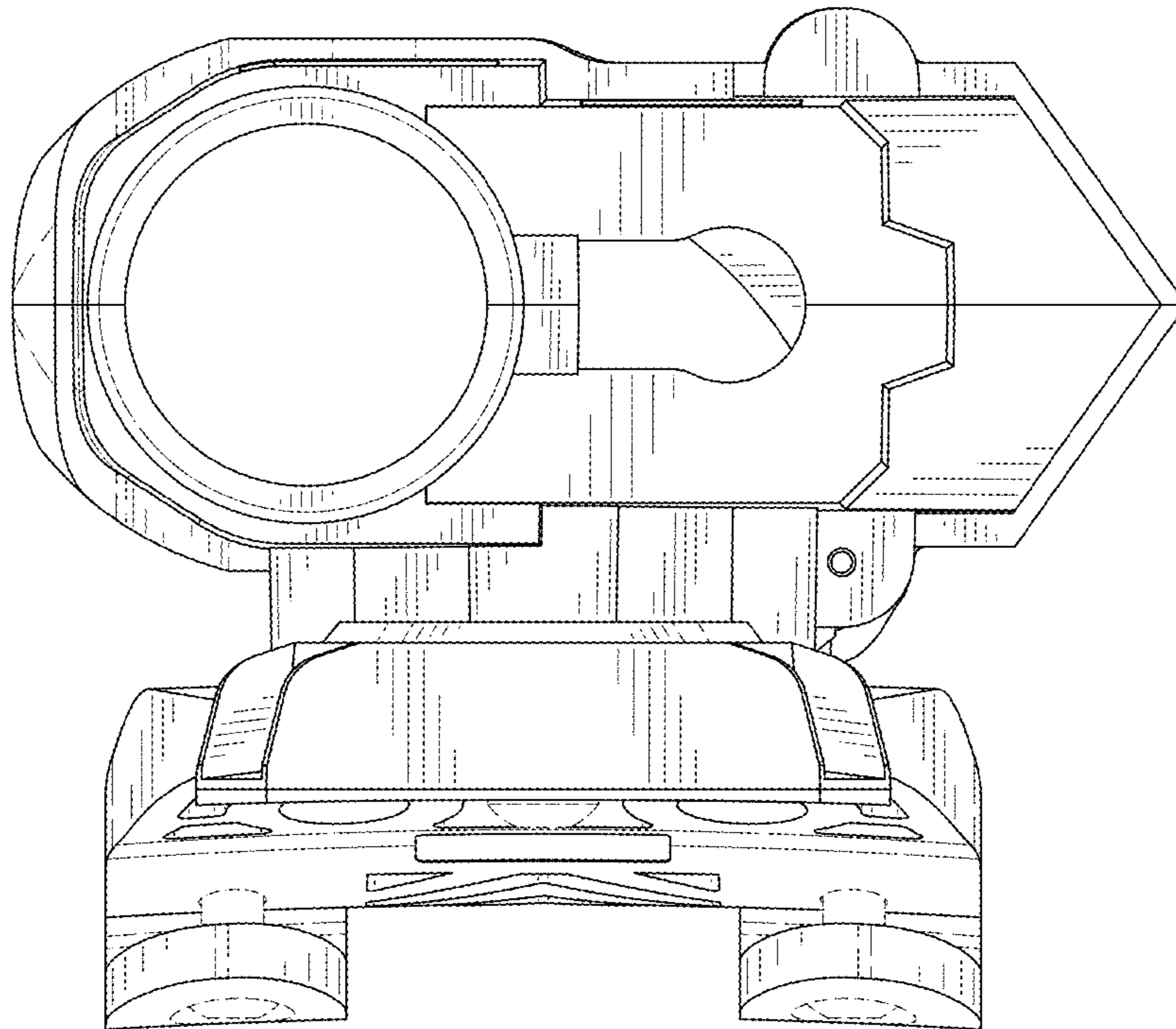


FIG. 8

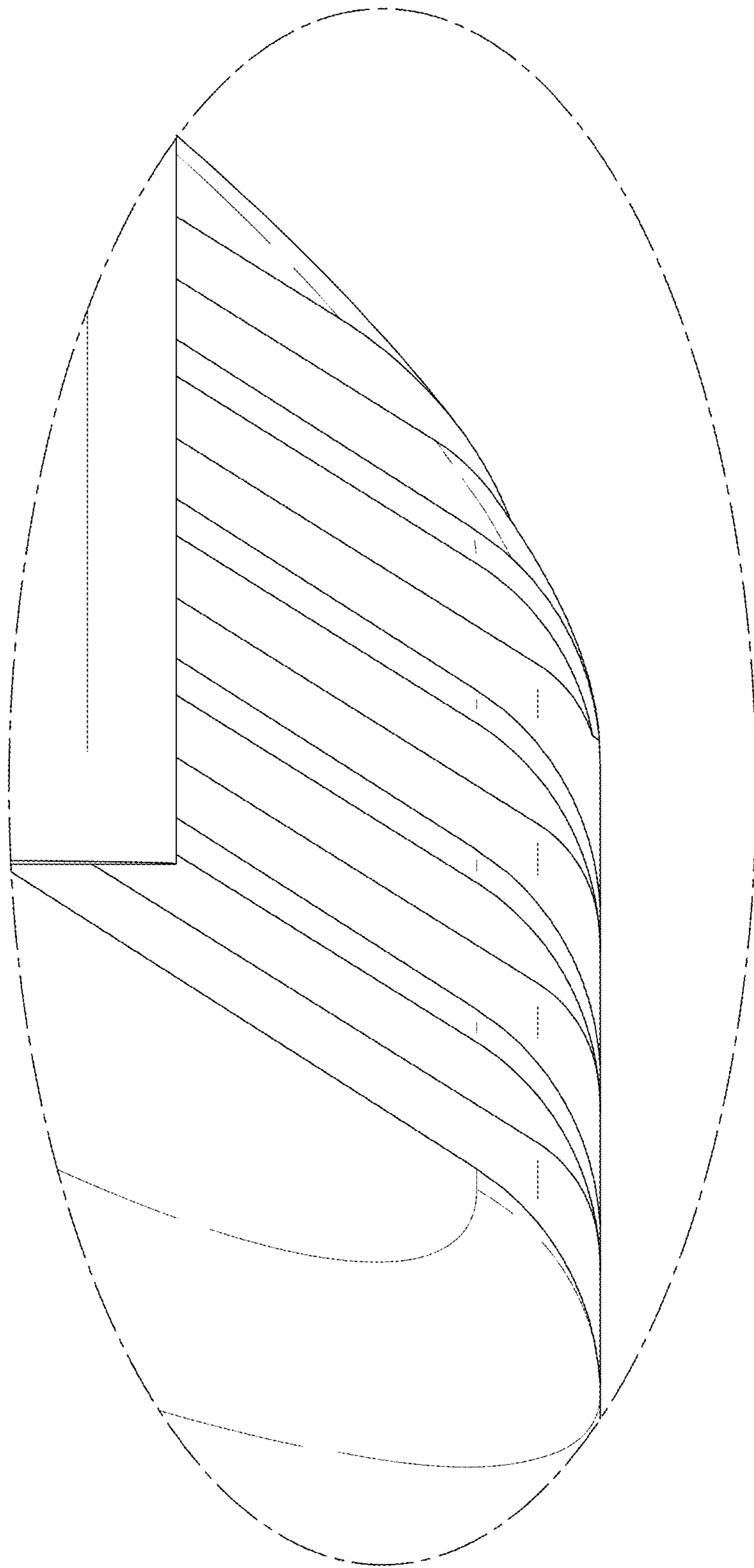


FIG. 9

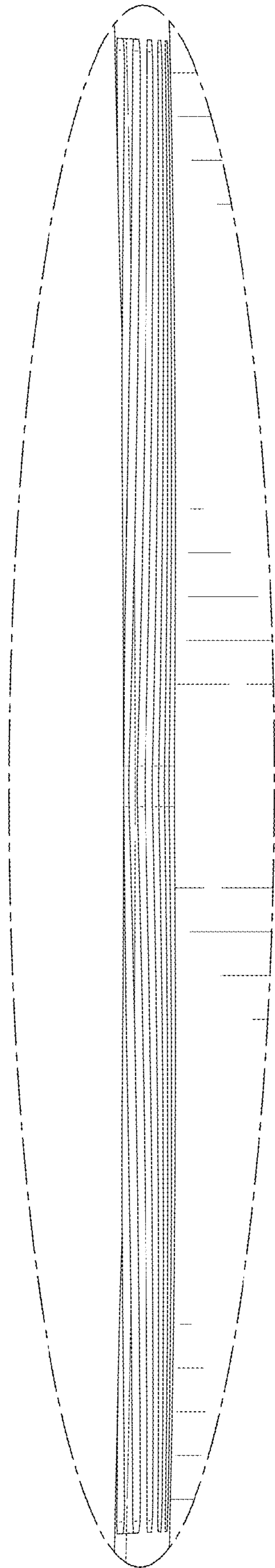


FIG. 10