



US00D961915S

(12) **United States Design Patent** (10) **Patent No.:** **US D961,915 S**  
**Natsume et al.** (45) **Date of Patent:** **\*\* Aug. 30, 2022**

(54) **HOLDER WITH DEVICE**  
(71) Applicant: **Magic Leap, Inc.**, Plantation, FL (US)  
(72) Inventors: **Shigeru Natsume**, Weston, FL (US);  
**Sebastian Gonzalo Arrieta Gunther**,  
Fort Lauderdale, FL (US)  
(73) Assignee: **Magic Leap, Inc.**, Plantation, FL (US)  
(\*\*) Term: **15 Years**  
(21) Appl. No.: **29/723,303**

D346,275 S 4/1994 Hayasaka et al.  
D348,355 S 7/1994 Scheid et al.  
D358,822 S 5/1995 Rudkiewicz et al.  
D387,897 S 12/1997 Yorke et al.  
D391,943 S \* 3/1998 Han ..... D14/356  
D391,944 S \* 3/1998 Han ..... D14/356  
D404,199 S 1/1999 Letson  
D419,290 S 1/2000 Treyer et al.  
D420,992 S 2/2000 Hu  
6,357,641 B1 3/2002 Cheng  
D456,074 S 4/2002 McCurry  
D457,308 S 5/2002 Infanti  
6,484,918 B1 11/2002 Lefebvre  
D478,721 S 8/2003 Anderton  
D482,863 S 12/2003 Flood

(Continued)

(22) Filed: **Feb. 5, 2020**  
(51) **LOC (13) Cl.** ..... **03-01**  
(52) **U.S. Cl.**  
USPC ..... **D3/218**; D14/356  
(58) **Field of Classification Search**  
USPC ..... D3/207-212, 215, 218-219, 226-230,  
D3/247, 249, 303, 318, 328; D8/44, 356,  
D8/358-359; D10/72; D13/168;  
D21/566, 332, 333; D14/322, 341, 348,  
D14/356, 439, 447, 388-389, 399-400,  
D14/448, 218  
CPC ..... A44B 15/00; A44B 15/002; A44B 15/005;  
A44B 15/007; A45C 1/06; A45C 3/08;  
A45C 11/32; A45C 2011/002; A45C  
13/30; F04B 15/00; E05B 19/04; H04B  
1/034; A45F 3/02; A45F 3/14; A45F  
5/00; A45F 5/02; A45F 5/021; A45F  
5/004; A45F 2005/006; A45F 2005/008;  
A45F 2200/0516

See application file for complete search history.

(56) **References Cited**

**U.S. PATENT DOCUMENTS**

D329,749 S 9/1992 Scheid  
D339,690 S 9/1993 Takahashi et al.  
D344,178 S 2/1994 Zinck

**FOREIGN PATENT DOCUMENTS**

CN 306897725 10/2021  
EM 001479694-0001 1/2021

(Continued)

*Primary Examiner* — Jeffrey D Asch  
*Assistant Examiner* — Caitlin A Laverty  
(74) *Attorney, Agent, or Firm* — Fish & Richardson P.C.

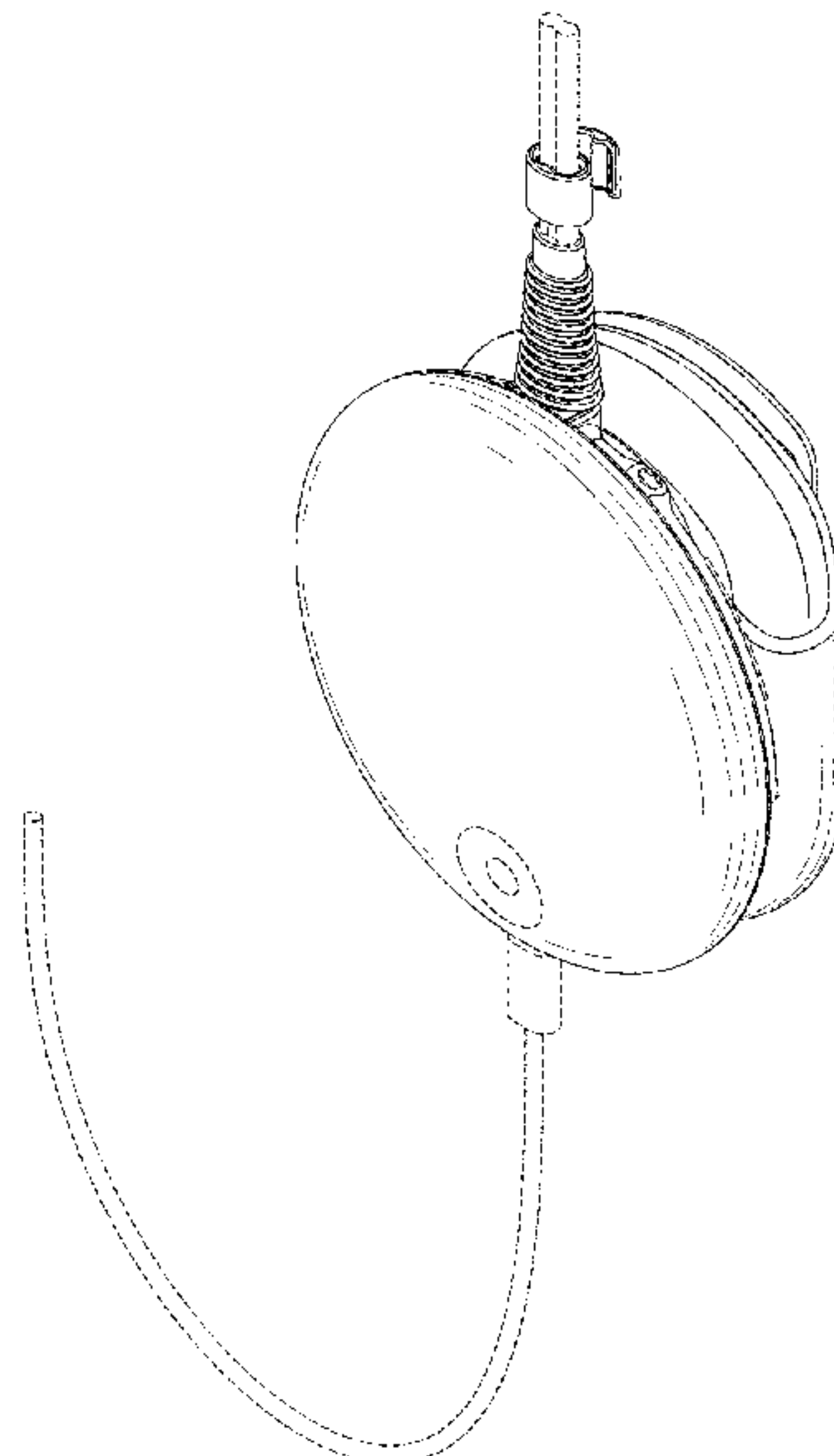
(57) **CLAIM**

The ornamental design for a holder with device, as shown and described.

**DESCRIPTION**

FIG. 1 is a top perspective view of the holder with device.  
FIG. 2 is a front view thereof.  
FIG. 3 is a back view thereof.  
FIG. 4 is a left side view thereof.  
FIG. 5 is a right side view thereof.  
FIG. 6 is a top view thereof; and,  
FIG. 7 is a bottom view thereof.  
The broken lines illustrate environmental features that form no part of the claimed design.

**1 Claim, 5 Drawing Sheets**



(56)

References Cited

U.S. PATENT DOCUMENTS

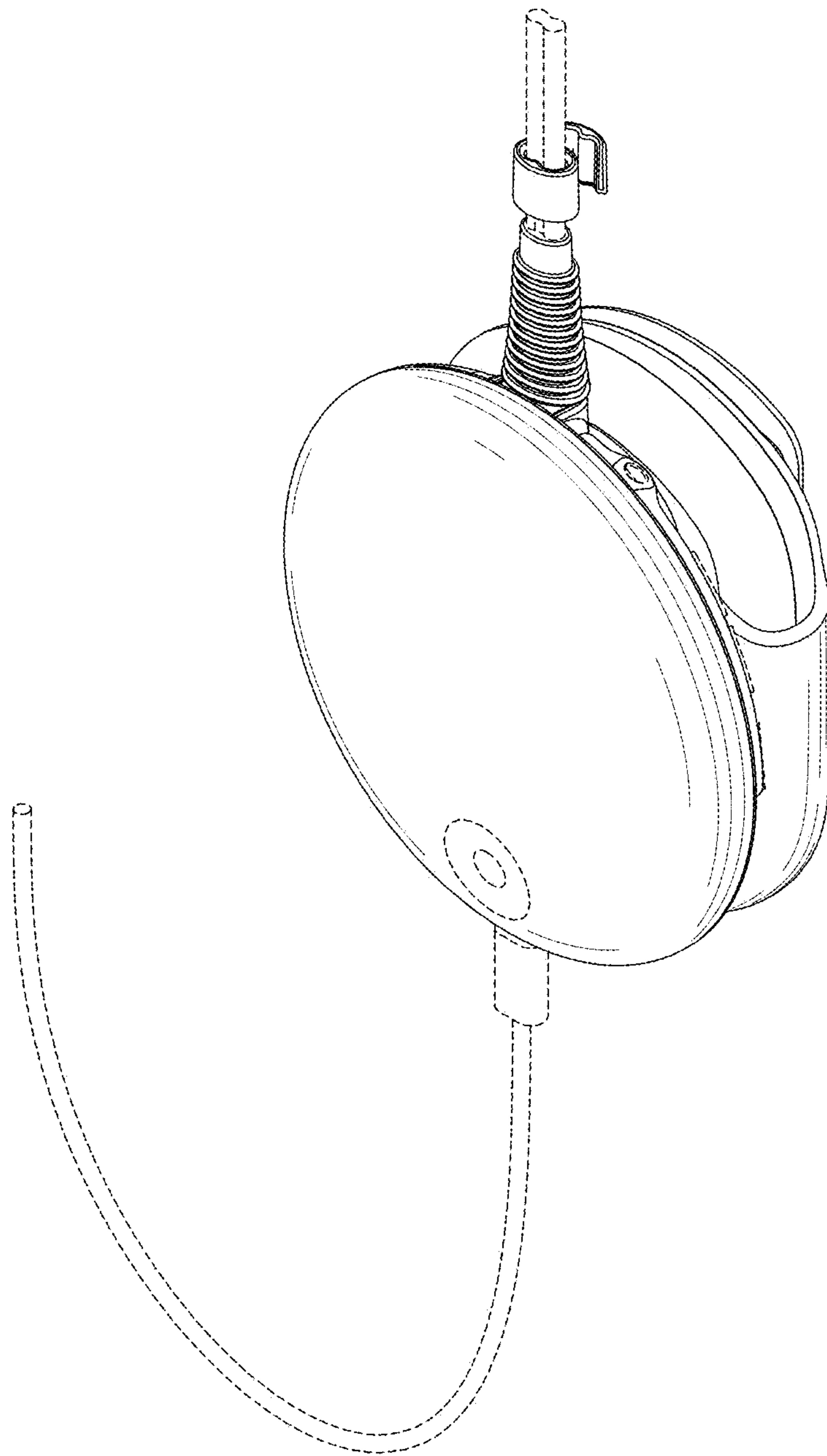
D483,939 S 12/2003 Kountz et al.  
 6,698,632 B1 3/2004 Furner et al.  
 D492,109 S 6/2004 Turner et al.  
 D492,478 S 7/2004 Hadley et al.  
 D495,871 S 9/2004 Moffitt et al.  
 D496,787 S 10/2004 Cabrera et al.  
 D507,870 S 8/2005 Anderton  
 D507,871 S 8/2005 DiMarchi et al.  
 D510,480 S 10/2005 McCarter  
 D511,890 S 11/2005 Burns  
 D528,539 S 9/2006 McClaude  
 D529,489 S 10/2006 Sbordon  
 D533,542 S \* 12/2006 Suzuki ..... D14/218  
 D545,812 S 7/2007 Grady et al.  
 D559,531 S 1/2008 Koppe  
 D566,361 S 4/2008 Snell  
 D570,100 S 6/2008 Chen  
 D591,499 S 5/2009 Ross, III  
 D602,915 S \* 10/2009 Song ..... D14/218  
 D627,771 S 11/2010 Smith et al.  
 D642,164 S 7/2011 Liner  
 D643,659 S 8/2011 Choi et al.  
 D648,119 S 11/2011 Jertson  
 D655,350 S \* 3/2012 Taniguchi ..... D21/333  
 D668,003 S 9/2012 Pozzolini  
 D706,332 S 6/2014 Ikegame  
 D708,847 S 7/2014 Goddard  
 D710,340 S 8/2014 Wengreen et al.  
 D711,092 S 8/2014 Lockhart-Adams et al.  
 D753,909 S 4/2016 Tulencik et al.  
 D755,976 S 5/2016 Herscher et al.  
 D768,114 S \* 10/2016 Hou ..... D14/218  
 D768,631 S \* 10/2016 Epstein ..... D14/388  
 D776,916 S 1/2017 Yeruva et al.  
 D780,582 S 3/2017 Tulencik et al.  
 D797,749 S \* 9/2017 Awad ..... D14/447  
 D799,814 S 10/2017 Reed  
 D807,635 S 1/2018 Clover et al.  
 D808,641 S 1/2018 Clover et al.  
 D819,605 S \* 6/2018 Heath ..... D14/218

D820,585 S 6/2018 O'Brien  
 D830,564 S 10/2018 Kim  
 D832,128 S \* 10/2018 Grois ..... D14/344  
 D832,129 S \* 10/2018 Grois ..... D14/344  
 D838,471 S 1/2019 Young  
 D840,361 S \* 2/2019 Gassner ..... D13/168  
 D842,299 S \* 3/2019 Lee ..... D14/344  
 D858,508 S 9/2019 Lian  
 D866,957 S 11/2019 Ross et al.  
 D876,083 S 2/2020 Hamilton  
 D877,137 S 3/2020 Engerman et al.  
 D882,488 S 4/2020 Tung  
 D884,165 S 5/2020 Debock et al.  
 D886,816 S 6/2020 Suzuki  
 D888,042 S 6/2020 Wright et al.  
 D893,857 S 8/2020 Ricard et al.  
 D908,112 S \* 1/2021 Eshelman ..... D14/217  
 D920,662 S 6/2021 Youn  
 D930,614 S \* 9/2021 Natsume ..... D14/218  
 D933,358 S 10/2021 Natsume et al.  
 D934,817 S \* 11/2021 Svård ..... D13/168  
 D935,470 S 11/2021 Wengreen et al.  
 11,221,814 B2 1/2022 Browy  
 11,226,678 B2 1/2022 Stolzenberg et al.  
 D944,750 S \* 3/2022 Cortez ..... D13/168  
 2004/0065709 A1 4/2004 Dillenberger  
 2011/0062203 A1 3/2011 Weger  
 2012/0286012 A1 11/2012 Flis  
 2013/0299533 A1 11/2013 Gronewoller et al.  
 2014/0263521 A1 9/2014 Hamilton  
 2018/0348826 A1 12/2018 Aguirre et al.  
 2021/0178862 A1 6/2021 Alves et al.

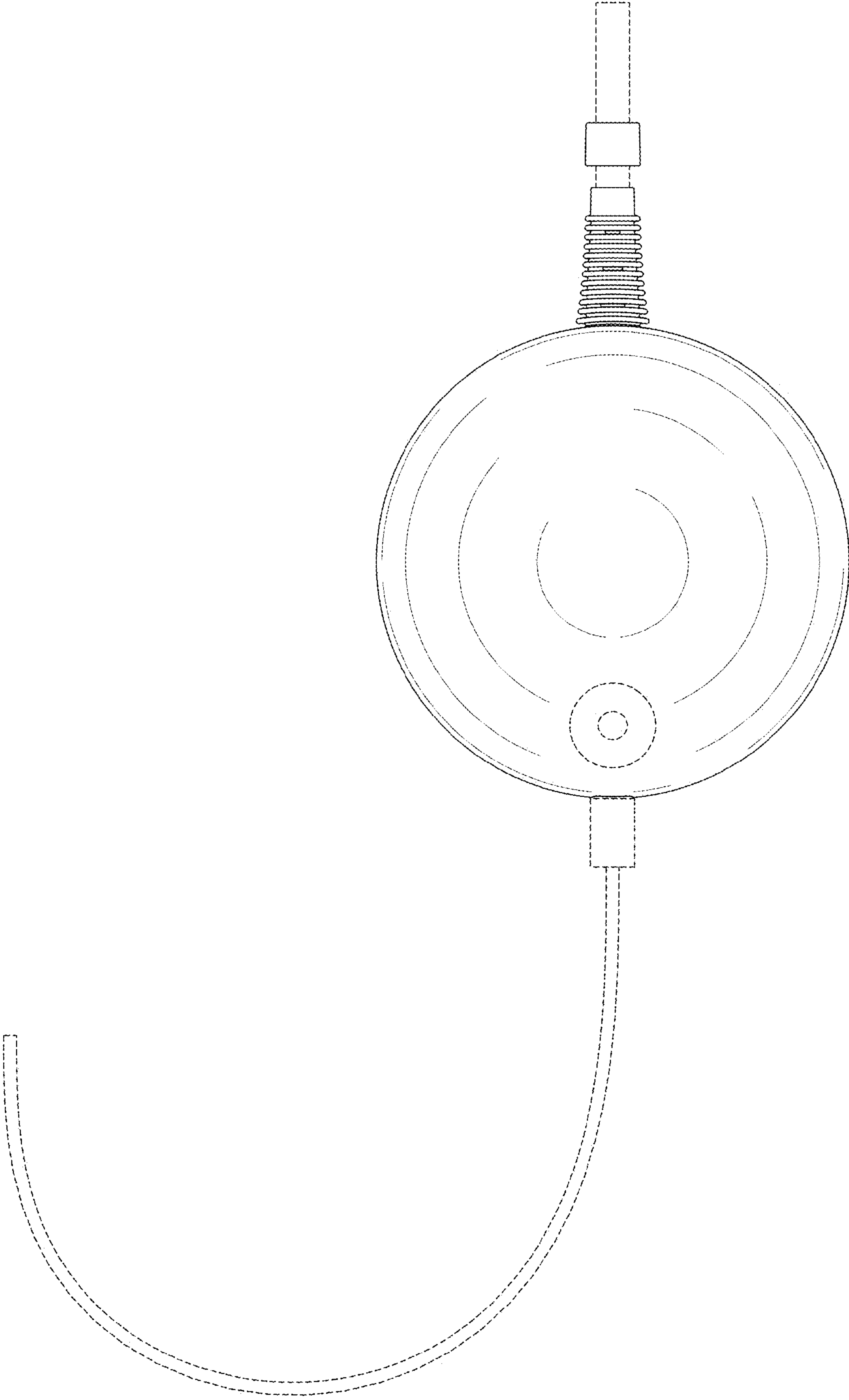
FOREIGN PATENT DOCUMENTS

EM 008073282 1/2021  
 EM 008073282-0001 \* 1/2021  
 EM 008073282-0002 \* 1/2021  
 KR 301136322 11/2021  
 WO WOD095181-001 \* 3/2017  
 WO WOd204117-003 \* 11/2019

\* cited by examiner



**FIG. 1**



**FIG. 2**



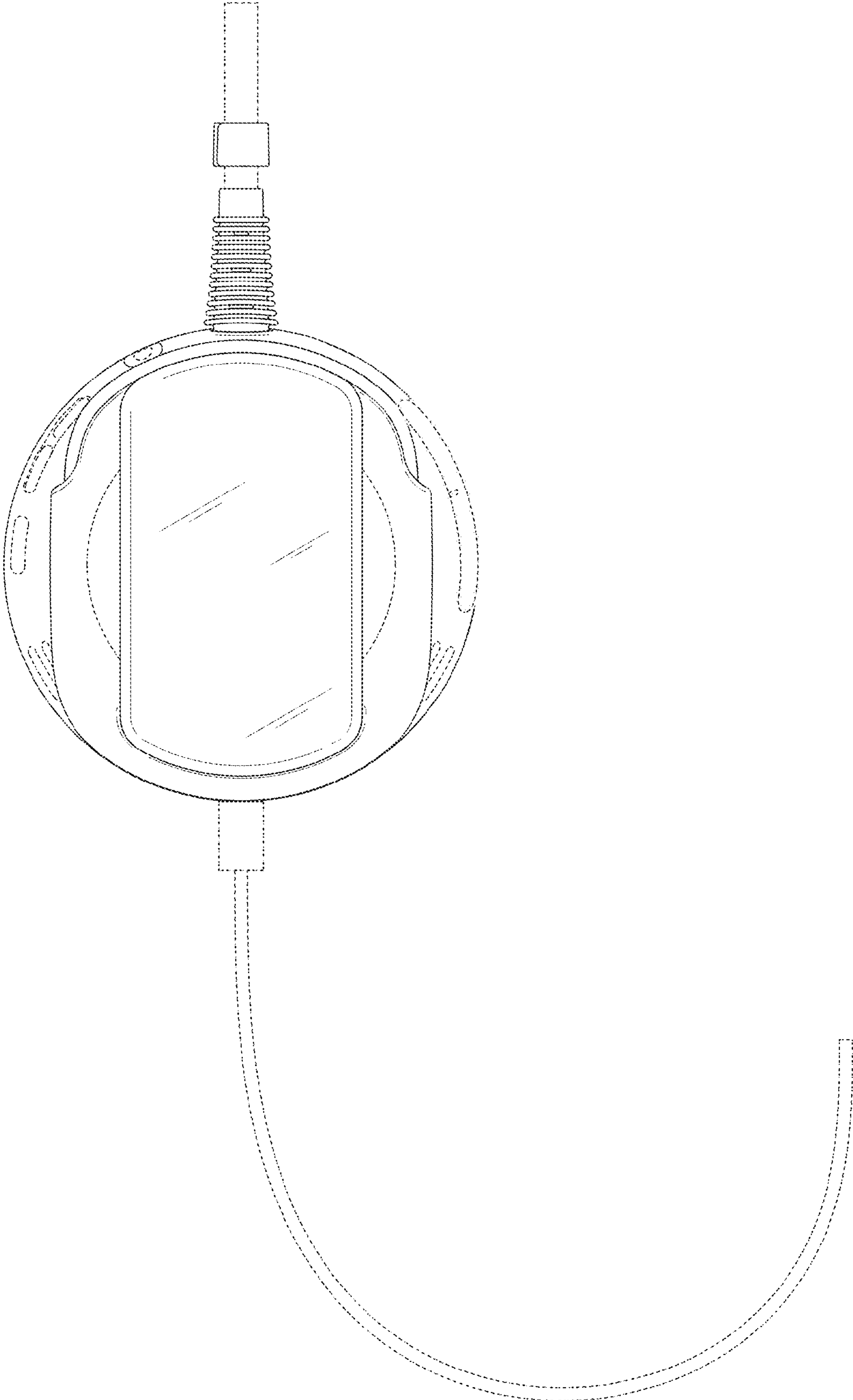


FIG. 3

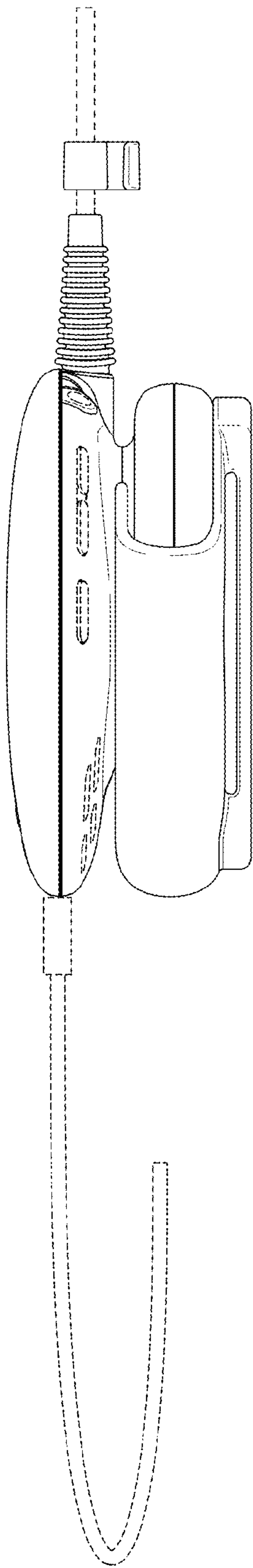


FIG. 4

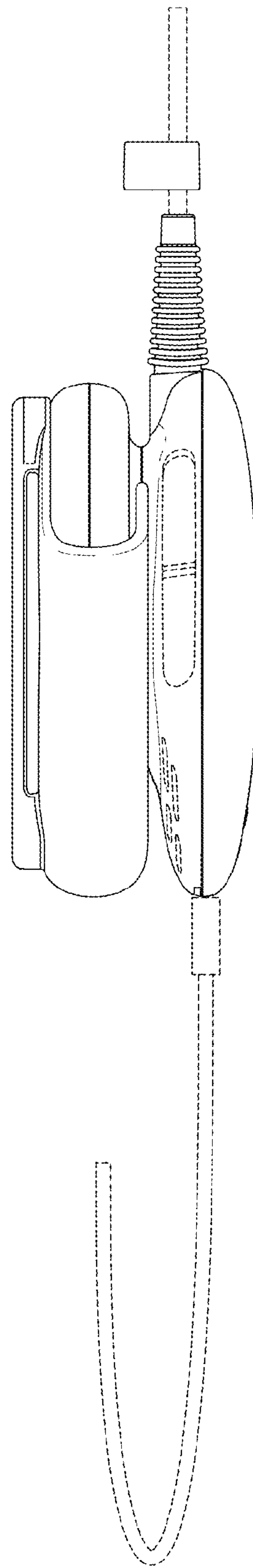
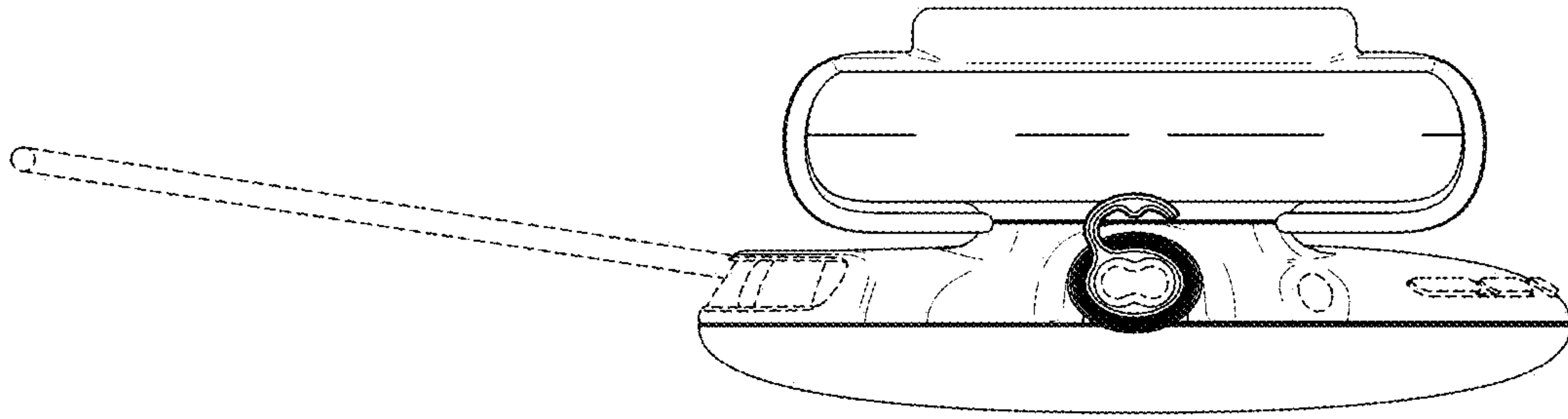
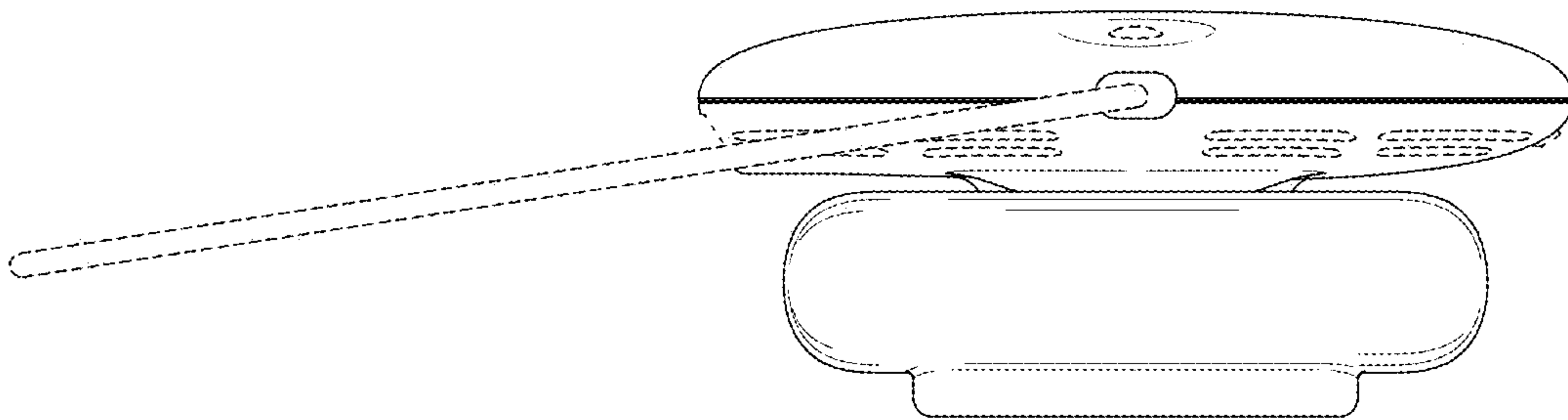


FIG. 5



**FIG. 6**



**FIG. 7**