



US00D961912S

(12) **United States Design Patent** (10) **Patent No.:** **US D961,912 S**
Roberts et al. (45) **Date of Patent:** **** Aug. 30, 2022**

- (54) **TOTEPACK**
- (71) Applicant: **Peak Design**, San Francisco, CA (US)
- (72) Inventors: **Rachel Roberts**, San Francisco, CA (US); **Art Viger**, San Francisco, CA (US); **Peter Lockett**, San Francisco, CA (US)
- (73) Assignee: **Peak Design**, San Francisco, CA (US)
- (**) Term: **15 Years**
- (21) Appl. No.: **29/714,718**
- (22) Filed: **Nov. 25, 2019**
- (51) **LOC (13) Cl.** **03-01**
- (52) **U.S. Cl.**
USPC **D3/217**
- (58) **Field of Classification Search**
USPC D3/215–218, 221, 224–226, 230–233,
D3/242–246, 303, 318
CPC A45F 3/04; A45F 3/047; A45F 2003/045;
A45F 4/02
See application file for complete search history.

(56) **References Cited**

U.S. PATENT DOCUMENTS

7,789,115	B2 *	9/2010	Preciado	A45C 5/065
					150/113
D759,369	S *	6/2016	Mei Yee	D3/216
D781,049	S *	3/2017	Kemp	D3/216
9,604,757	B2 *	3/2017	Spivack	B65D 31/12
D808,157	S *	1/2018	Viger	D3/245
D824,666	S *	8/2018	Carter	D3/245
D829,435	S *	10/2018	Viger	D3/217
D847,501	S *	5/2019	Carter	D3/245

(Continued)

OTHER PUBLICATIONS

Peak Design Enhances its Everyday Line of Bags, posted at gadgetsboy.co.uk, posted Nov. 10, 2019, retrieved Jun. 11, 2021,

online, URL: <https://www.gadgetsboy.co.uk/peak-design-enhances-its-everyday-line-of-bags/> (Year: 2021).*

(Continued)

Primary Examiner — Mary Shannon Malley
(74) *Attorney, Agent, or Firm* — Run8 Patent Group, LLC; Peter Miller

(57) **CLAIM**

We claim the ornamental design for a totepack, as shown and described.

DESCRIPTION

FIG. 1 is a front-right-upper isometric view of a totepack in a first configuration.

FIG. 2 is a front view of a totepack in the first configuration.

FIG. 3 is a right view of the totepack in the first configuration.

FIG. 4 is a left view of the totepack in the first configuration.

FIG. 5 is a back view of the totepack in the first configuration.

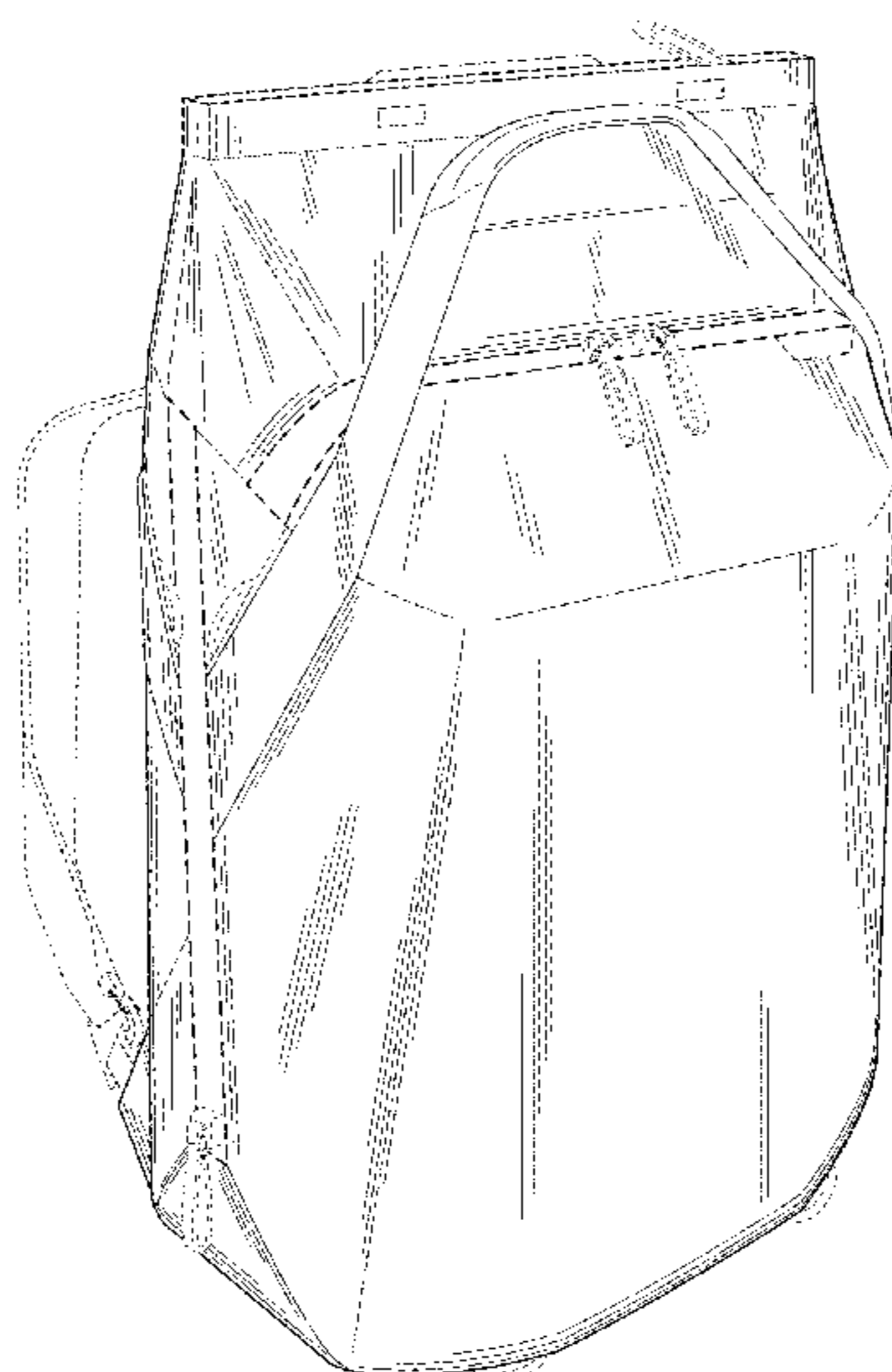
FIG. 6 is a top view of the totepack in the first configuration.

FIG. 7 is a bottom view of the totepack in the first configuration; and,

FIG. 8 is a front-right-upper isometric view of the totepack in a second configuration.

The heavy, long dash-dash broken lines illustrate zipper tape that does not form part of the claimed design. The medium-thickness, medium-length dash-dash broken lines illustrate zipper pulls, shoulder straps, textile folds and other portions of the backpack that do not form part of the claimed design. The thin, short dash-dash broken lines illustrate stitching that does not form part of the claimed design. No broken line shown in the FIGURES forms any part of the claimed design.

1 Claim, 6 Drawing Sheets



(56)

References Cited

U.S. PATENT DOCUMENTS

D850,100	S	*	6/2019	Oviedo-Polanco	D3/217
D851,393	S	*	6/2019	Carter	D3/217
D858,977	S	*	9/2019	Owens	D3/217
D861,329	S	*	10/2019	Wei	D3/217
D867,751	S	*	11/2019	Seip	D3/217
D885,042	S	*	5/2020	Li	D3/217
D893,878	S	*	8/2020	Mather	D3/318
D895,272	S	*	9/2020	Zhitian	D3/217

OTHER PUBLICATIONS

Everyday totepack, posted at peakdesign.com, no posting date, retrieved Jun. 11, 2021, online, URL: https://www.peakdesign.com/products/everyday-totepack?variant=29741599883308¤cy=USD&utm_medium=product_sync&utm_source=google&utm_content=sag_organic&utm_campaign=sag_organic&gclid=Cj0KCQjw8laGBhCHARI (Year: 2021).*

* cited by examiner

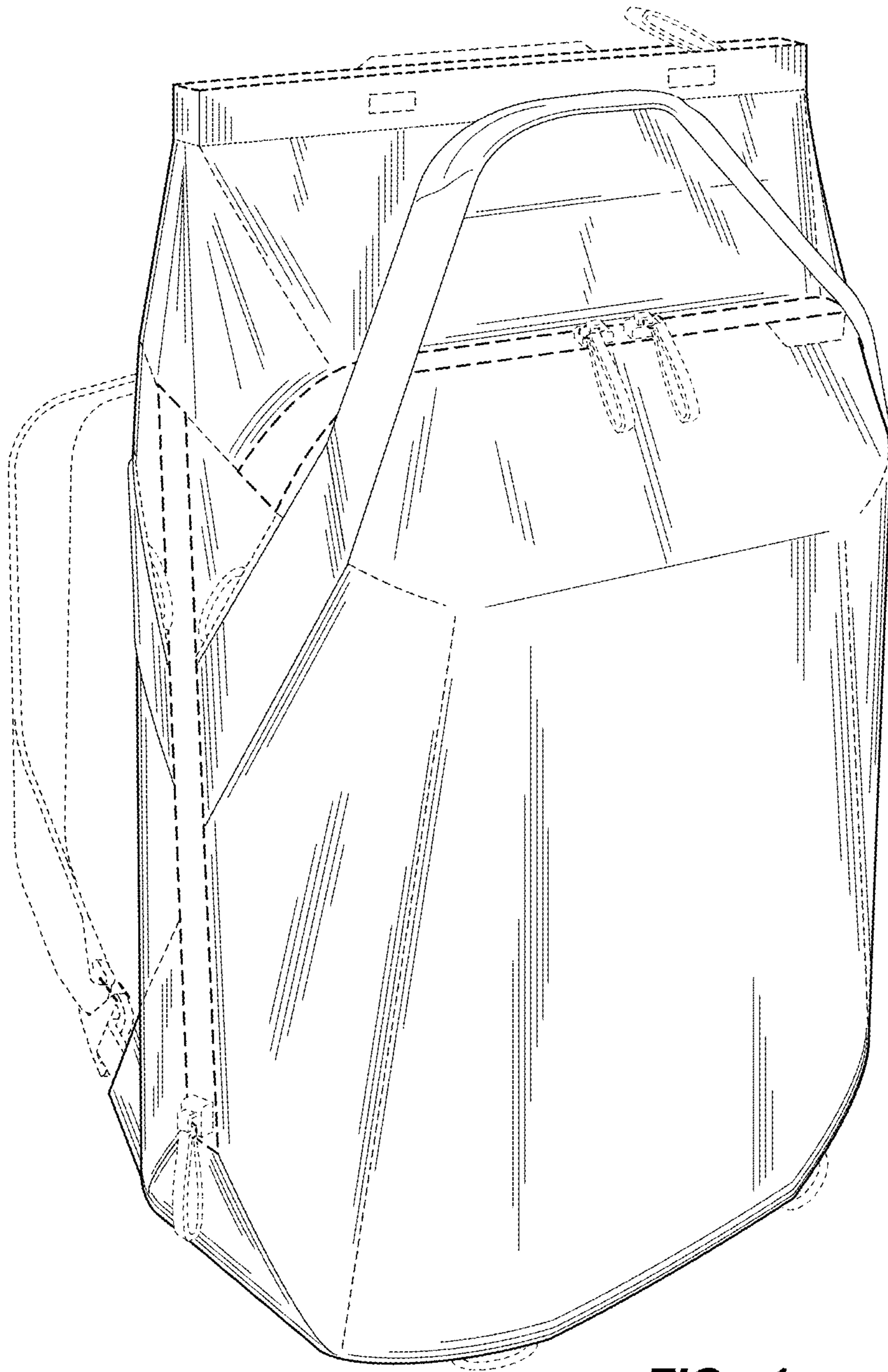


FIG. 1

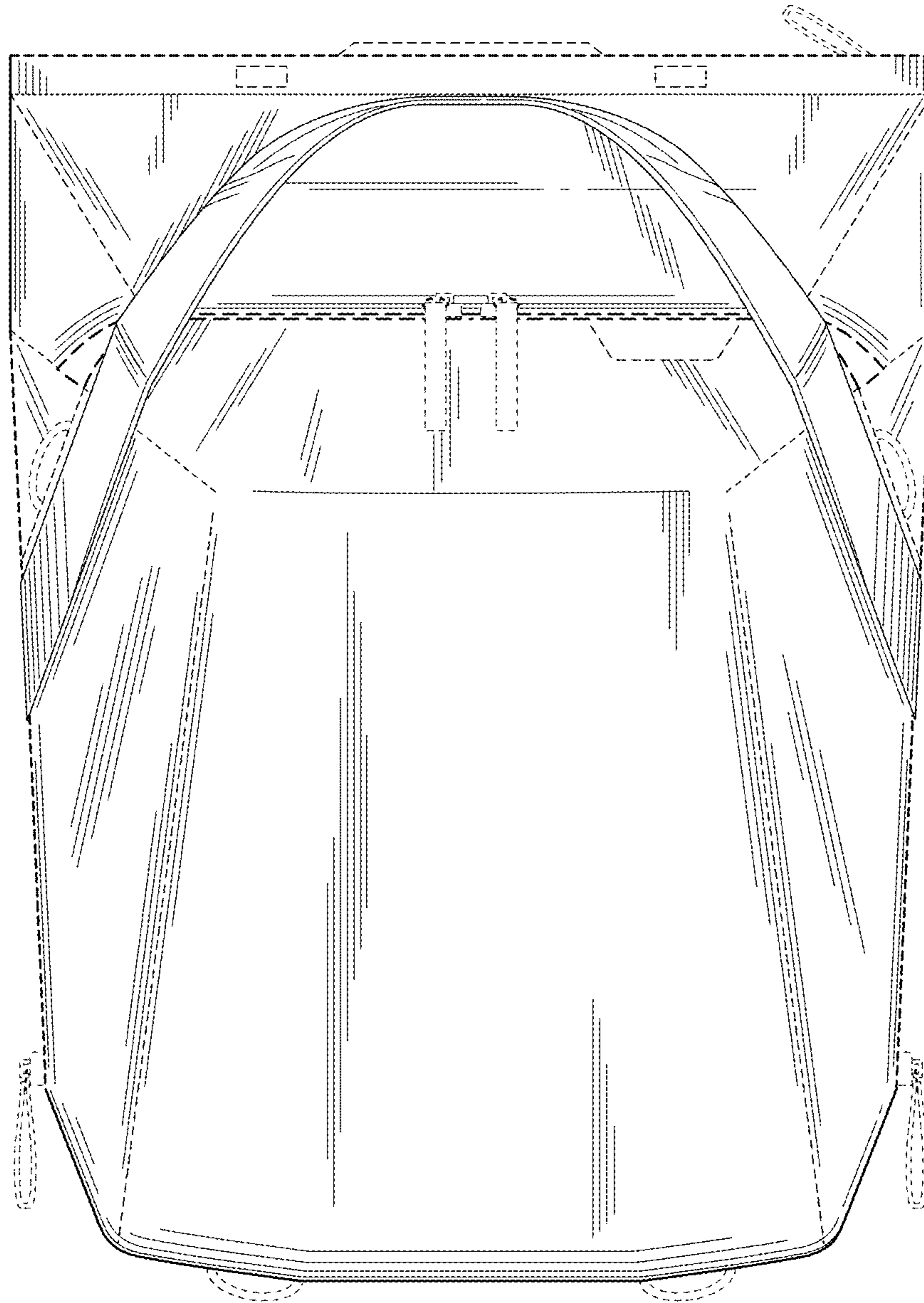


FIG. 2

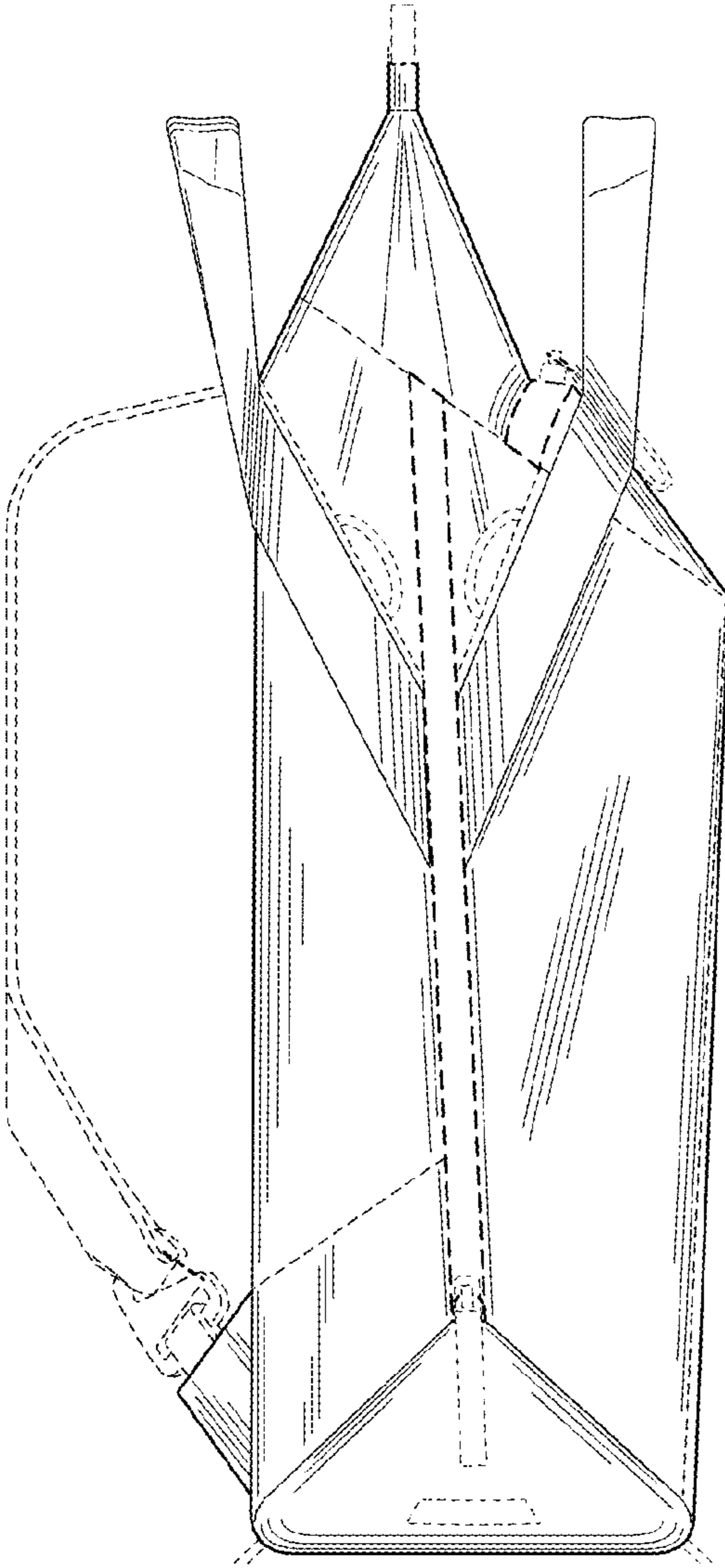


FIG. 3

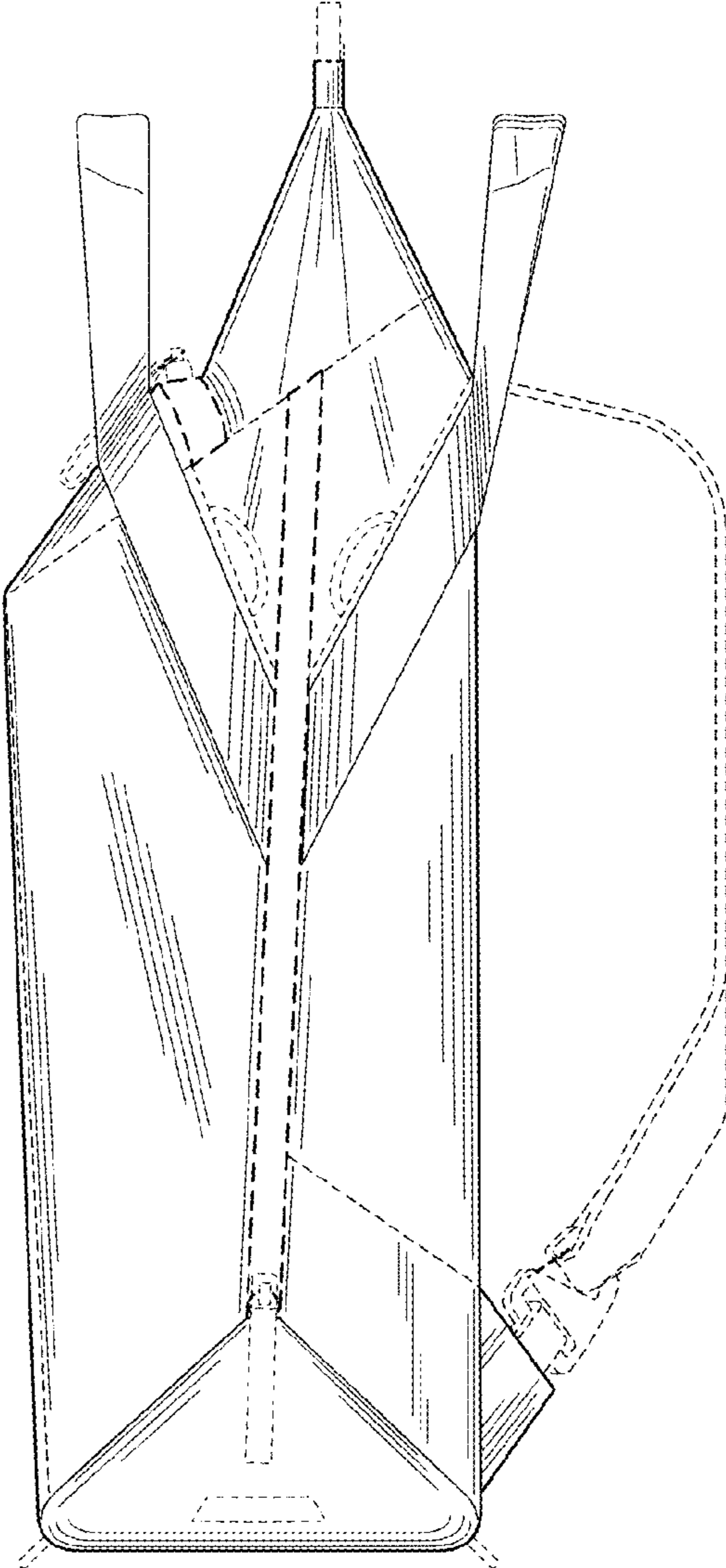


FIG. 4

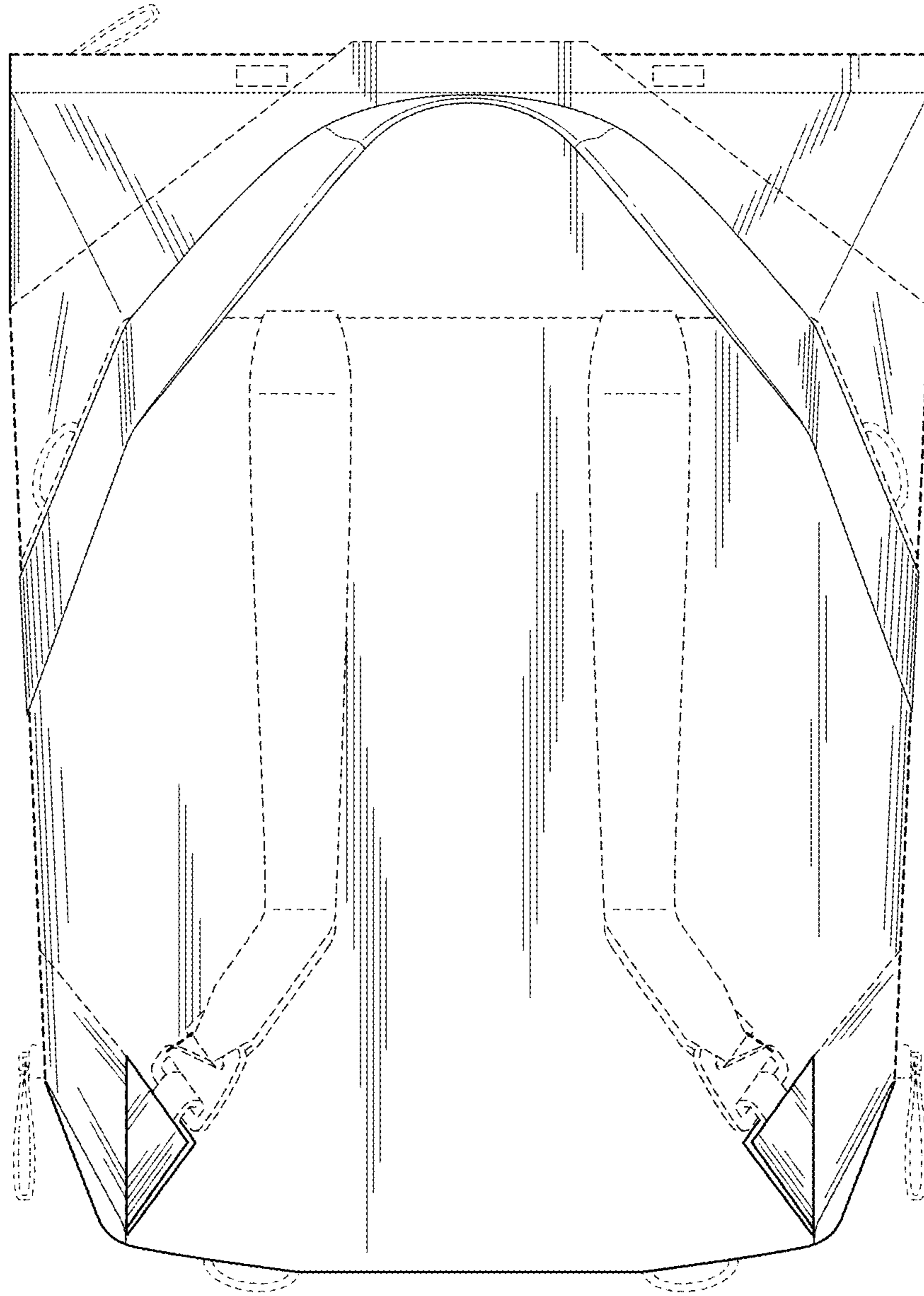


FIG. 5

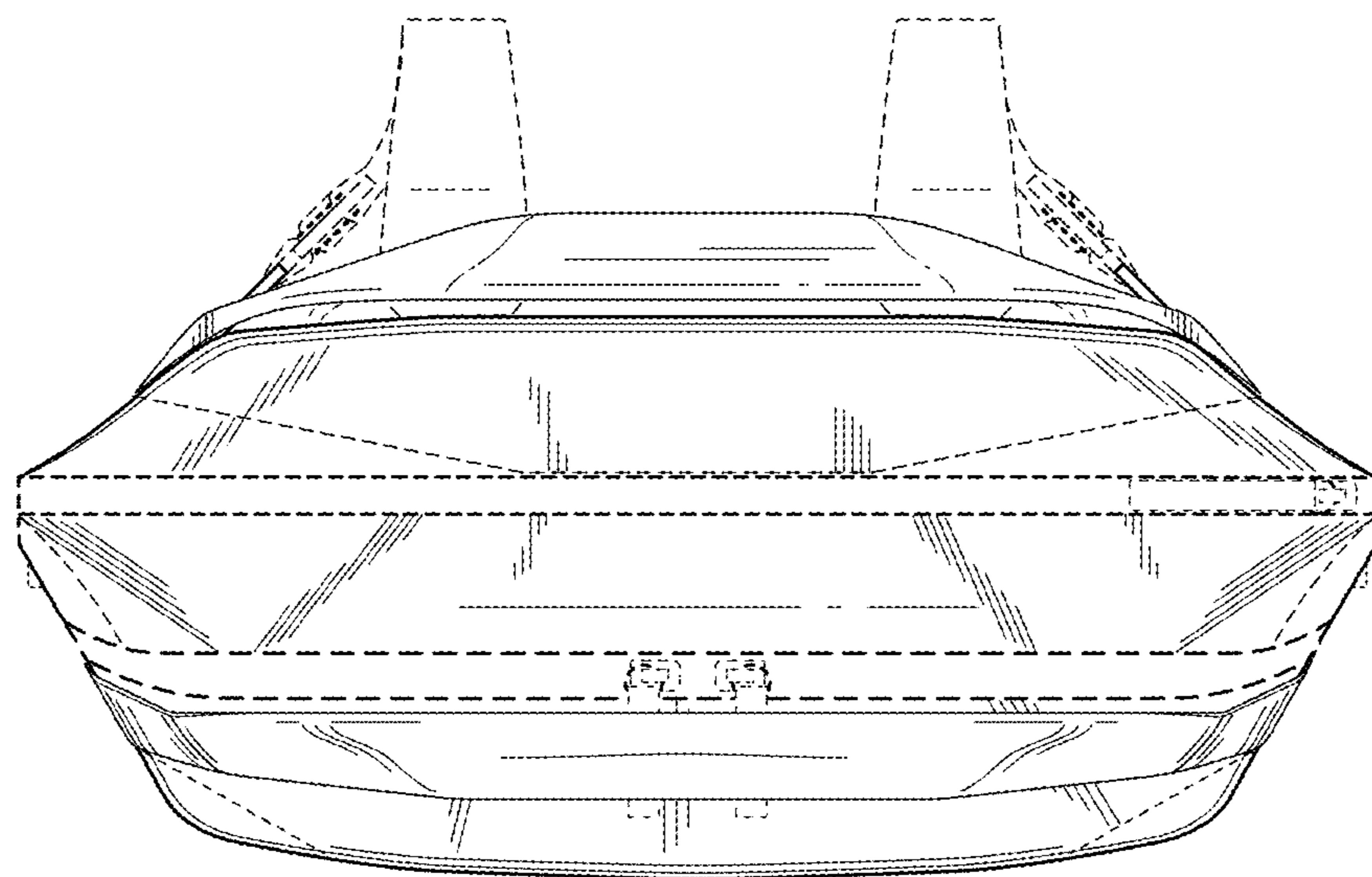


FIG. 6

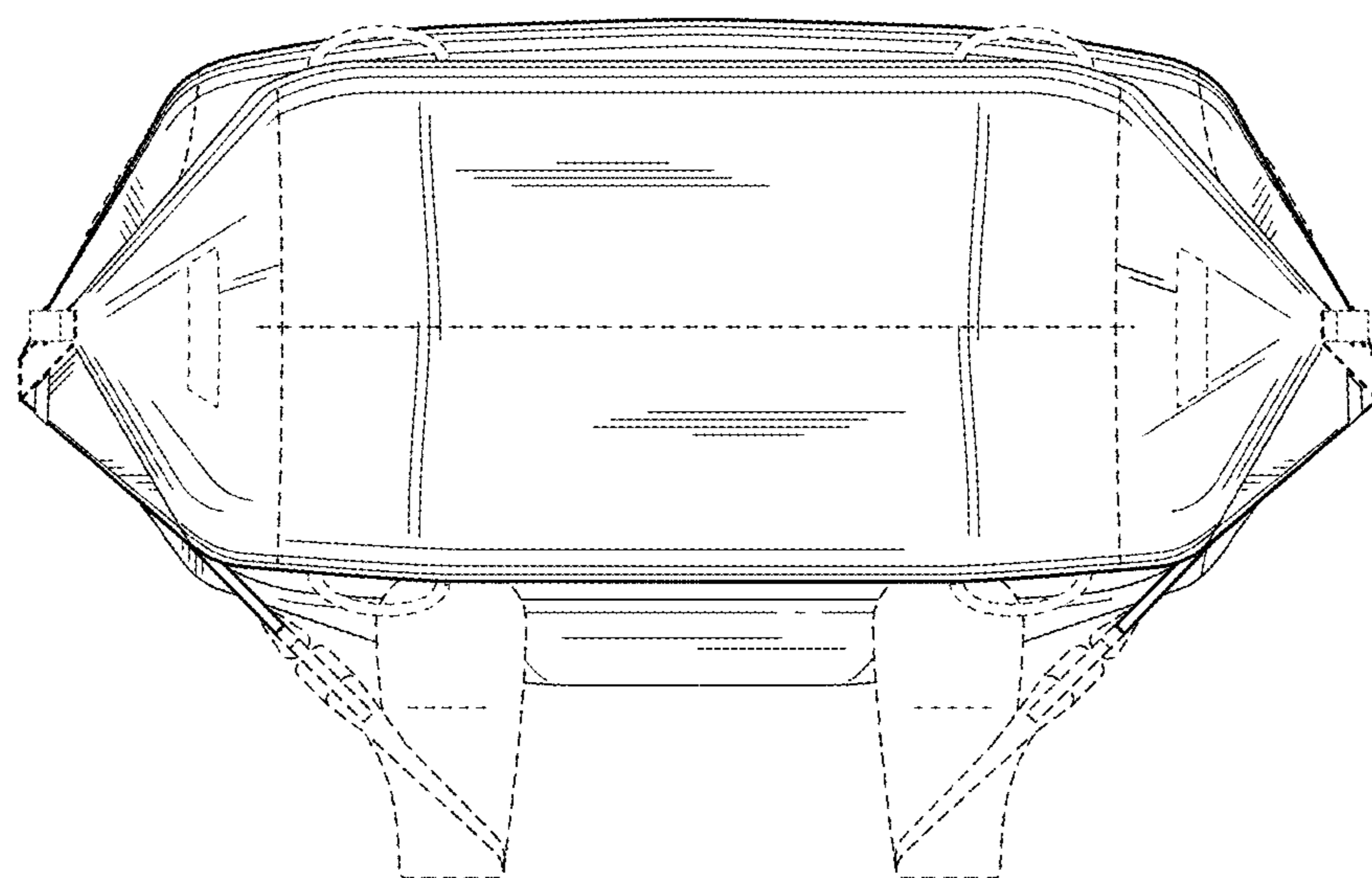


FIG. 7

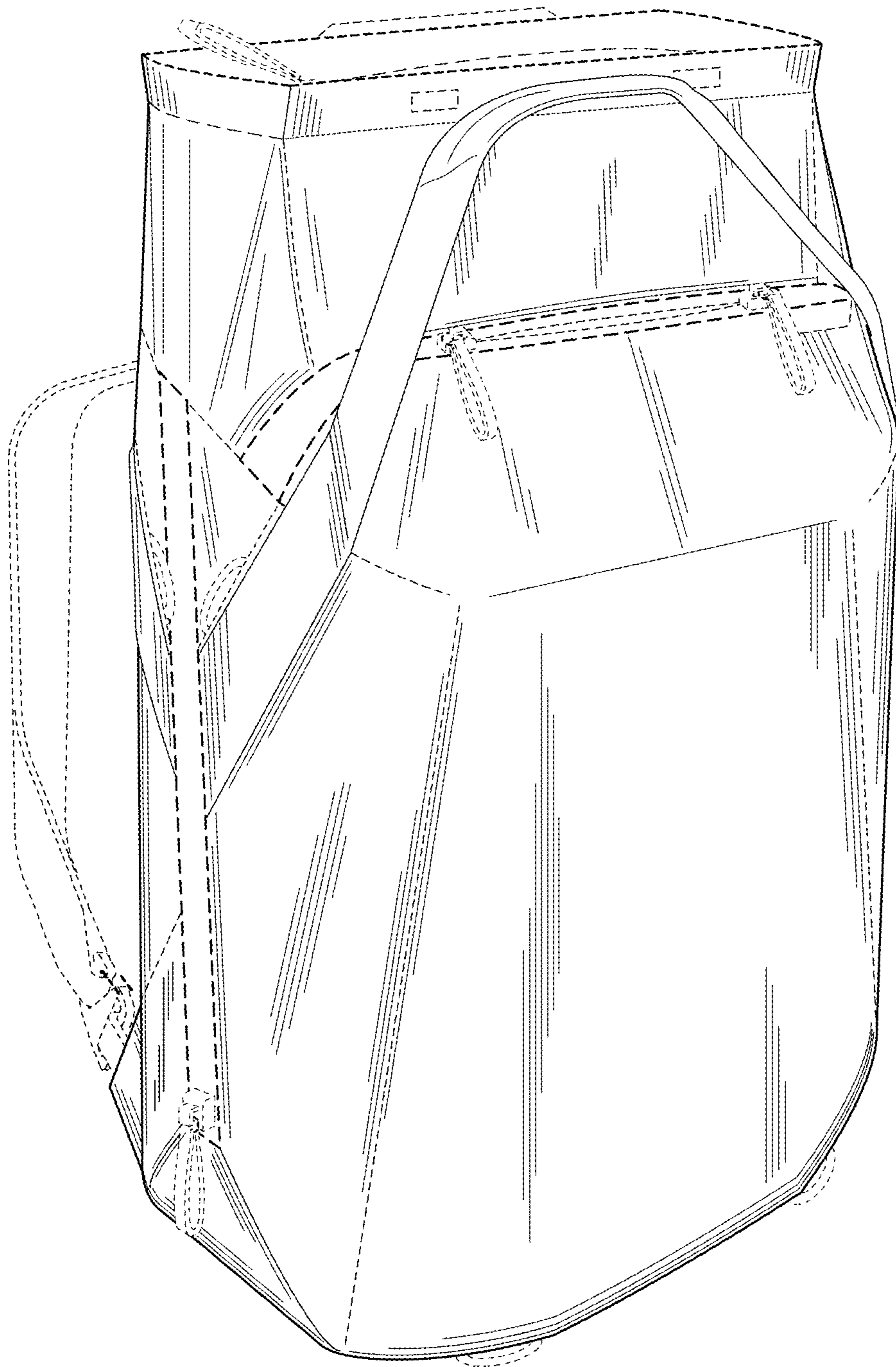


FIG. 8