



US00D961911S

(12) **United States Design Patent** (10) **Patent No.:** **US D961,911 S**
Mukri (45) **Date of Patent:** **** Aug. 30, 2022**

(54) **BAG**

FOREIGN PATENT DOCUMENTS

(71) Applicant: **Kinara International Limited**, Sheung Wan (HK)

CA 2949288 C 1/2017
CN 304108410 S 4/2017

(72) Inventor: **Mohamed Bashir Mukri**, Guangzhou (CN)

* cited by examiner

Primary Examiner — Jennifer L Watkins

(73) Assignee: **Kinara International Limited**, Sheung Wan (HK)

(74) *Attorney, Agent, or Firm* — Banner & Witcoff, Ltd.

(**) Term: **15 Years**

(57) **CLAIM**

The ornamental design for a bag, as shown and described.

(21) Appl. No.: **29/703,306**

DESCRIPTION

(22) Filed: **Aug. 26, 2019**

(51) **LOC (13) Cl.** **03-01**

(52) **U.S. Cl.**

USPC **D3/217**

(58) **Field of Classification Search**

USPC D3/201, 213–219, 221, 224, 225, 229,

D3/230, 232, 243–246, 254, 318; D7/607

CPC .. A45C 3/08; A45C 3/06; A45C 13/08; A45C

13/02; A45C 7/0086; A45C 3/00; A45C

13/26; A45F 3/04; A45F 3/02

See application file for complete search history.

FIG. 1 is a front perspective view of a bag showing my new design;

FIG. 2 is a front view thereof;

FIG. 3 is a rear view thereof;

FIG. 4 is a left side view thereof;

FIG. 5 is a right side view thereof;

FIG. 6 is a top view thereof;

FIG. 7 is a bottom view thereof;

FIG. 8 is a front perspective view of the bag of FIGS. 1-7 with the pockets shown in an expanded state;

FIG. 9 is a front view thereof;

FIG. 10 is a rear view thereof;

FIG. 11 is a left side view thereof;

FIG. 12 is a right side view thereof;

FIG. 13 is a top view thereof; and,

FIG. 14 is a bottom view thereof.

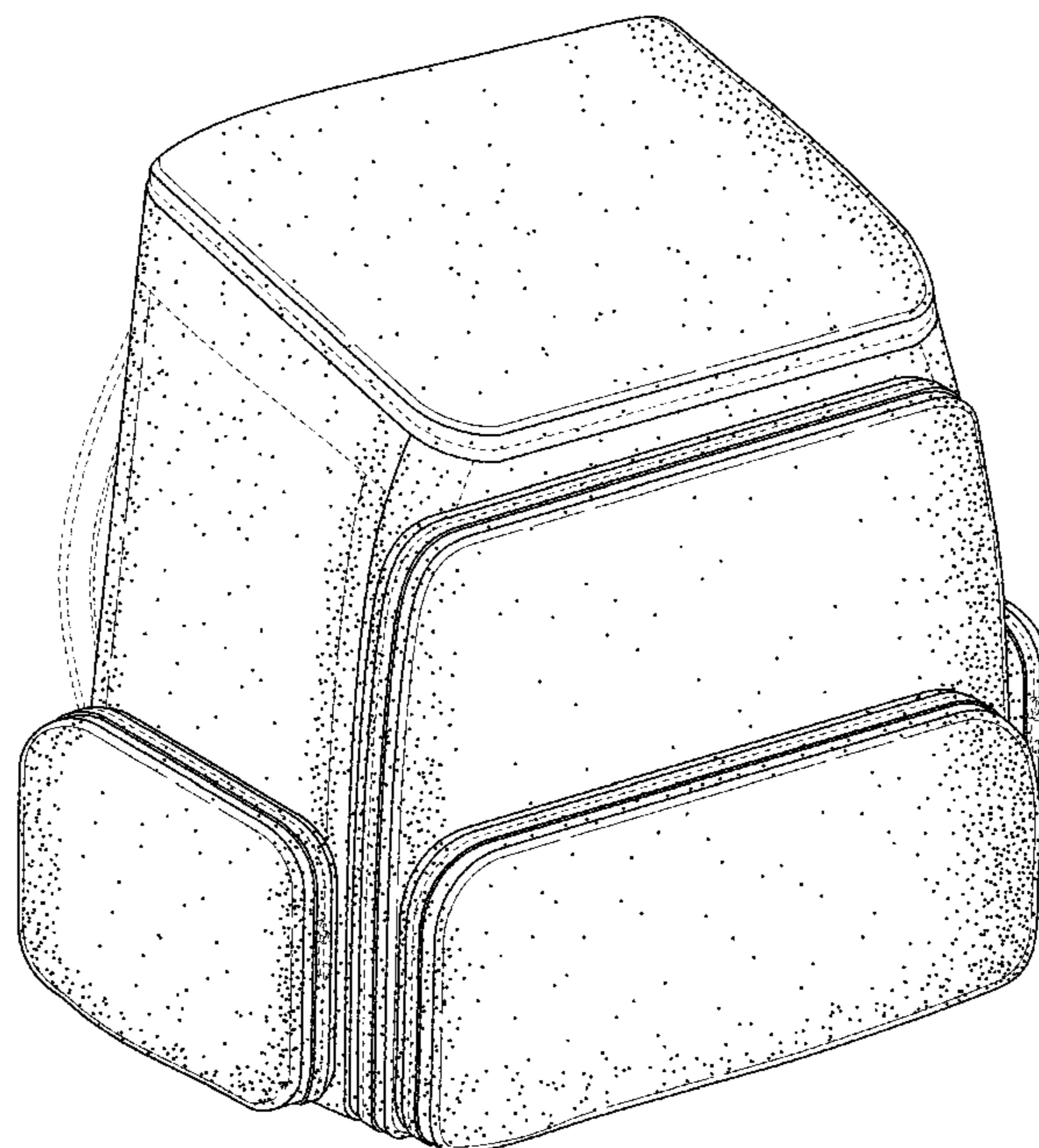
The broken lines in the areas between the panels and the body of the bag represent panel seams and form no part of the claimed design. The unshaded bottom of the bag and rear portion of the bag forms no part of the claimed design. The broken lines depicting the straps, zipper pulls, and other elements on the remainder of the bag show features that form no part of the claimed design.

(56) **References Cited**

U.S. PATENT DOCUMENTS

D483,940 S *	12/2003	Dolan	D3/216
D662,264 S *	6/2012	Chau	D30/109
D808,084 S *	1/2018	Lu	D30/109
D882,943 S *	5/2020	Zhuang	D3/217
D890,516 S *	7/2020	Jacobsen	D3/217
10,743,515 B2 *	8/2020	Lu	A45C 11/00
D895,271 S *	9/2020	Enriquez	D3/217
D896,505 S *	9/2020	Yuan	D3/217
D902,582 S *	11/2020	Huang	D3/217

1 Claim, 14 Drawing Sheets



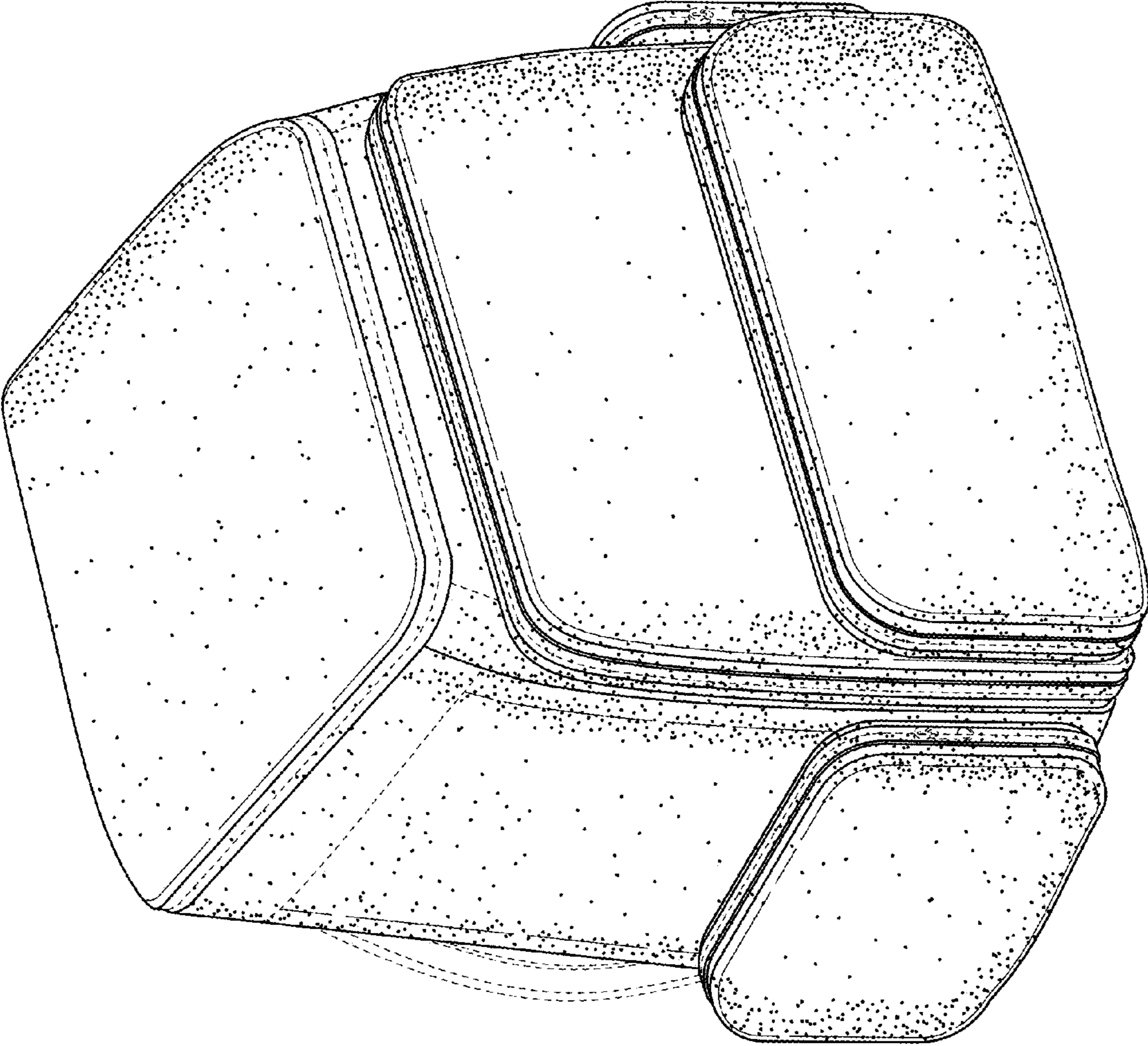


FIG. 1

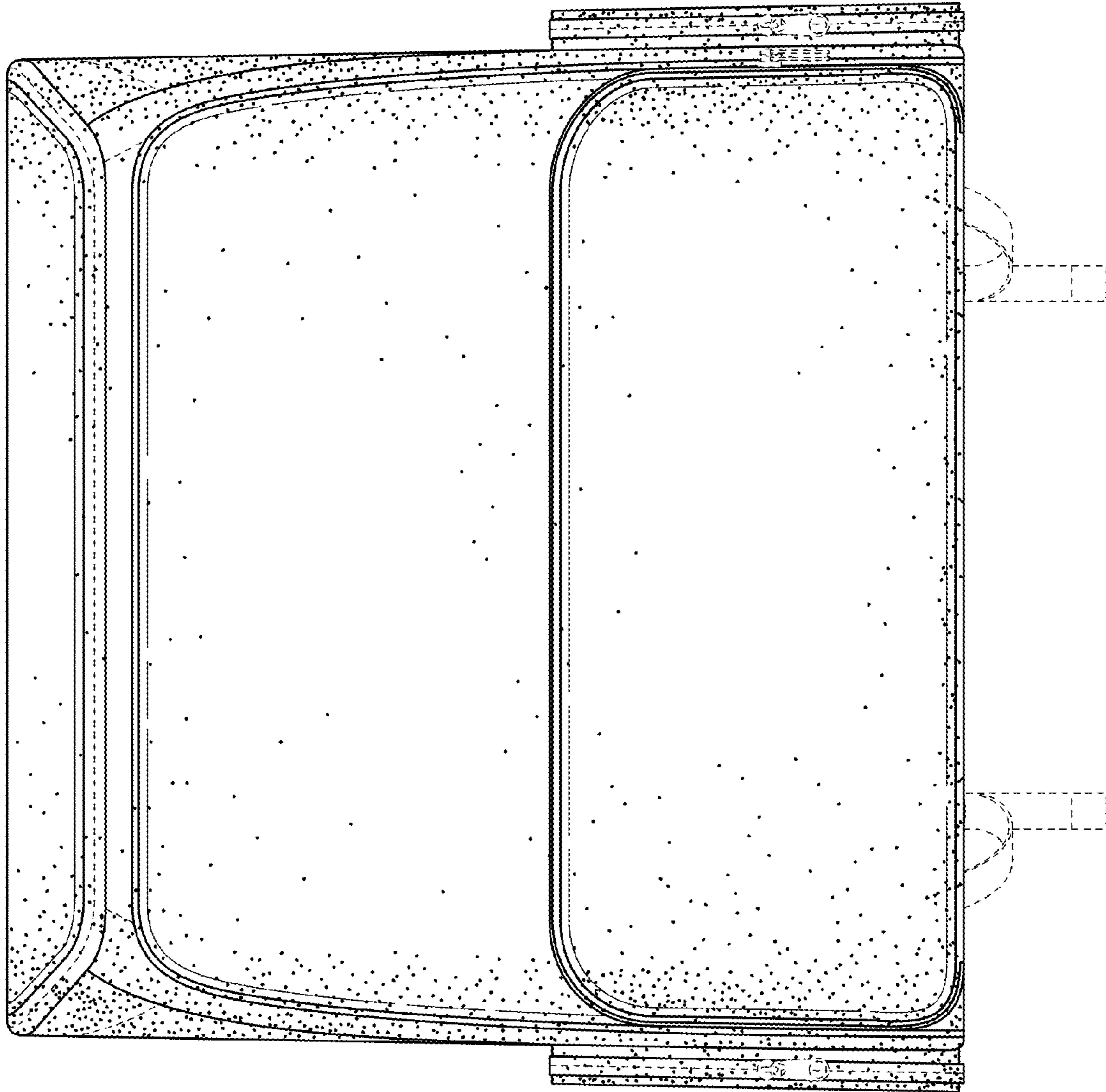


FIG. 2

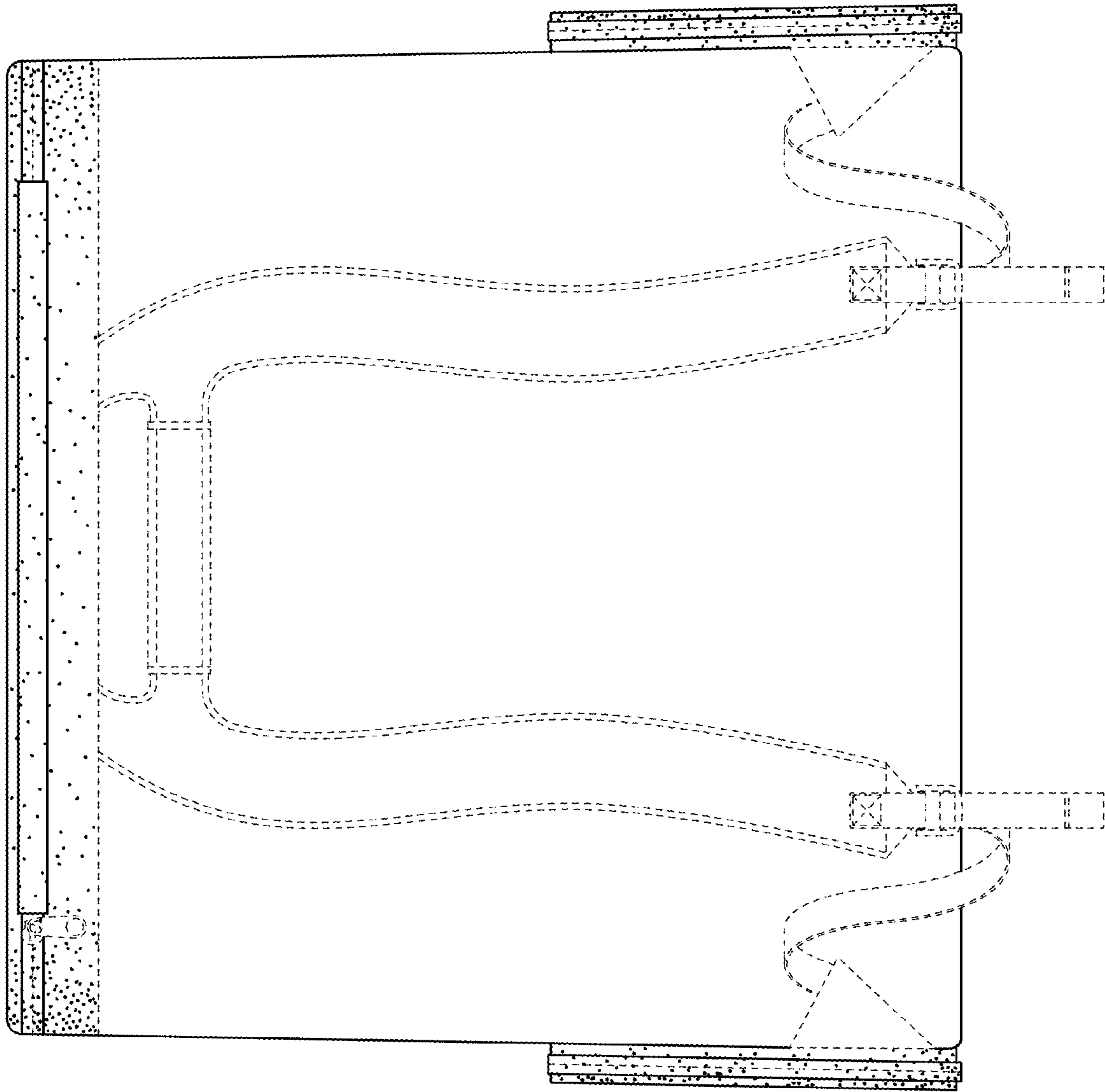


FIG. 3

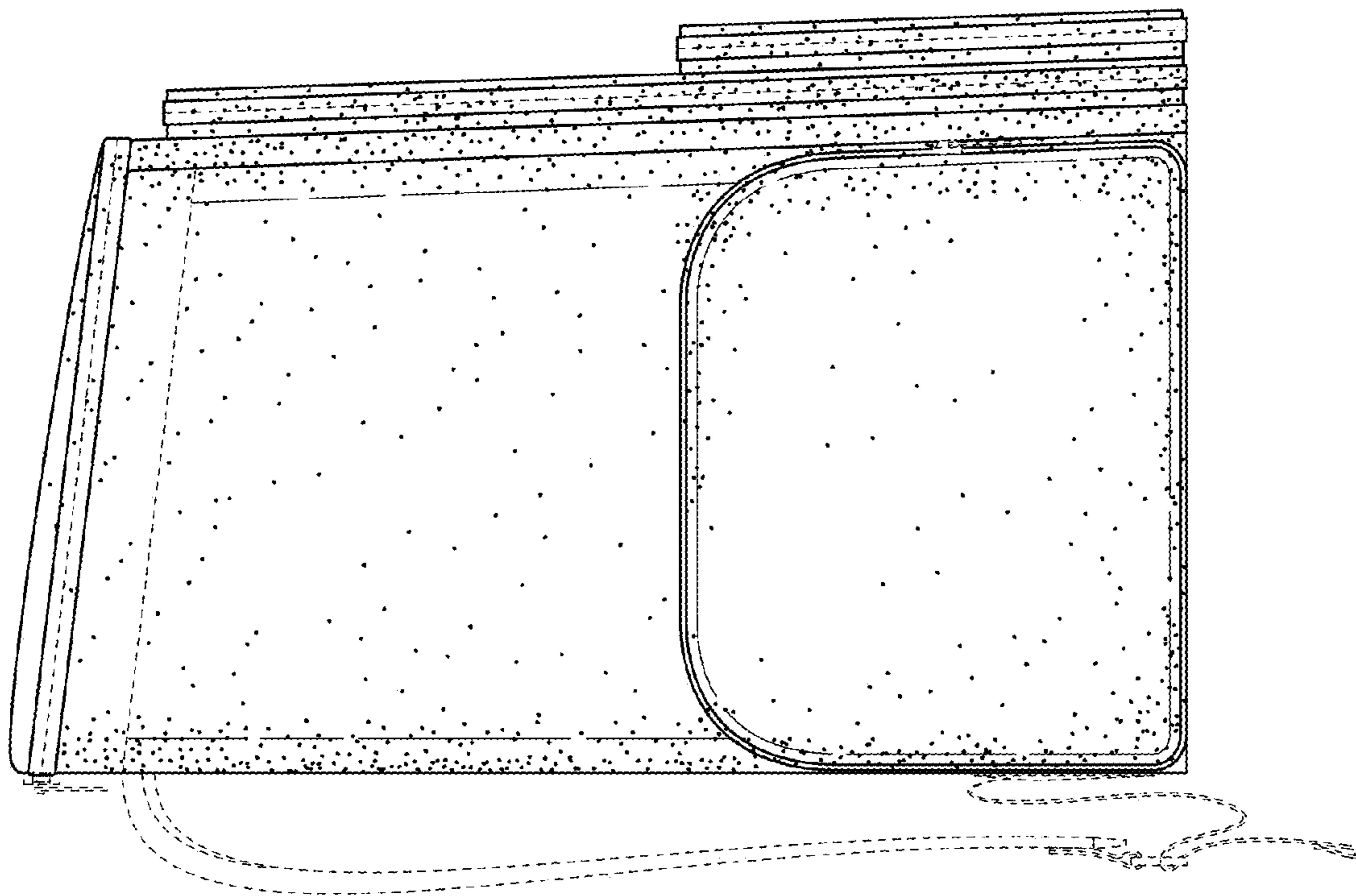


FIG. 4

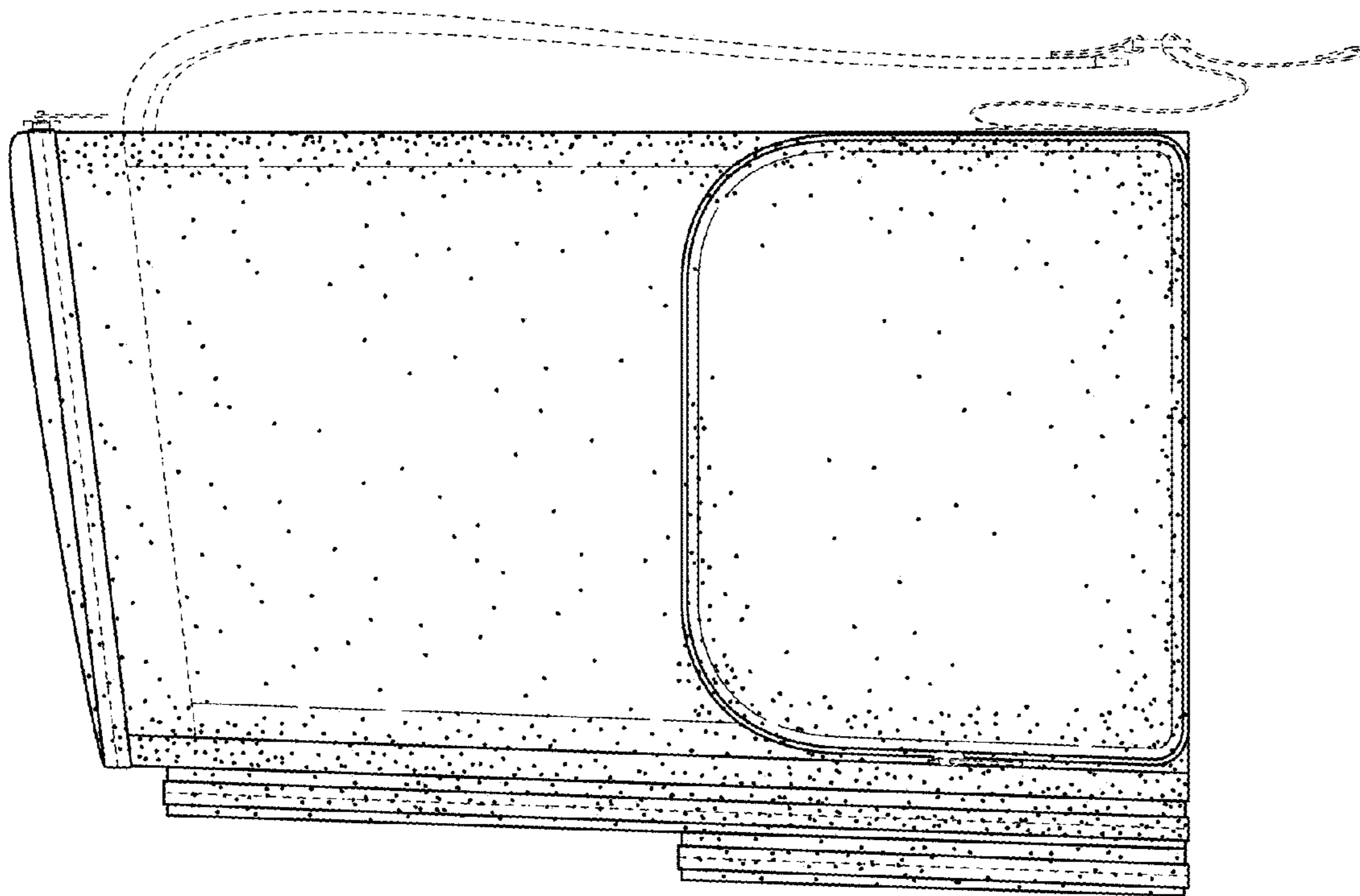


FIG. 5

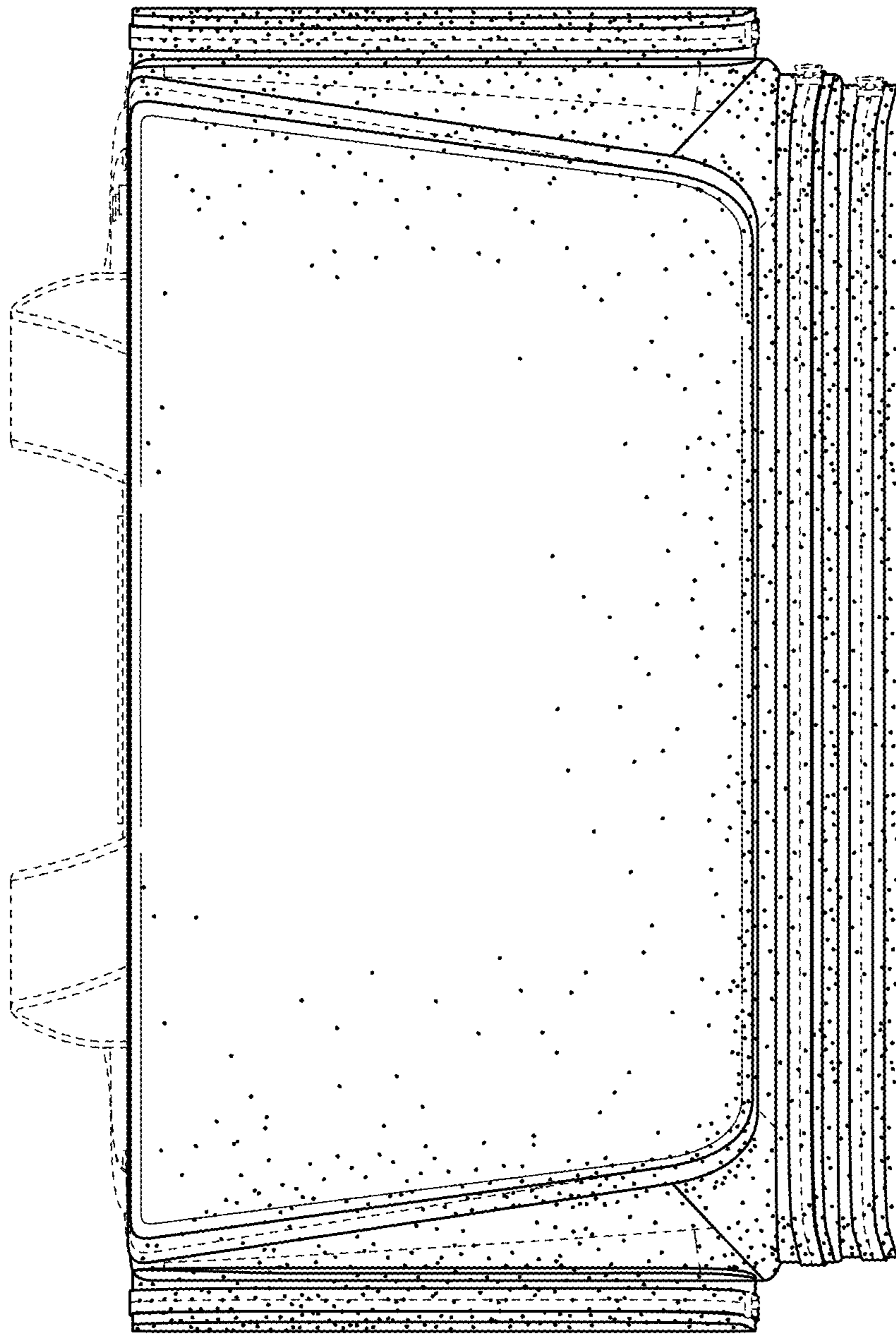


FIG. 6

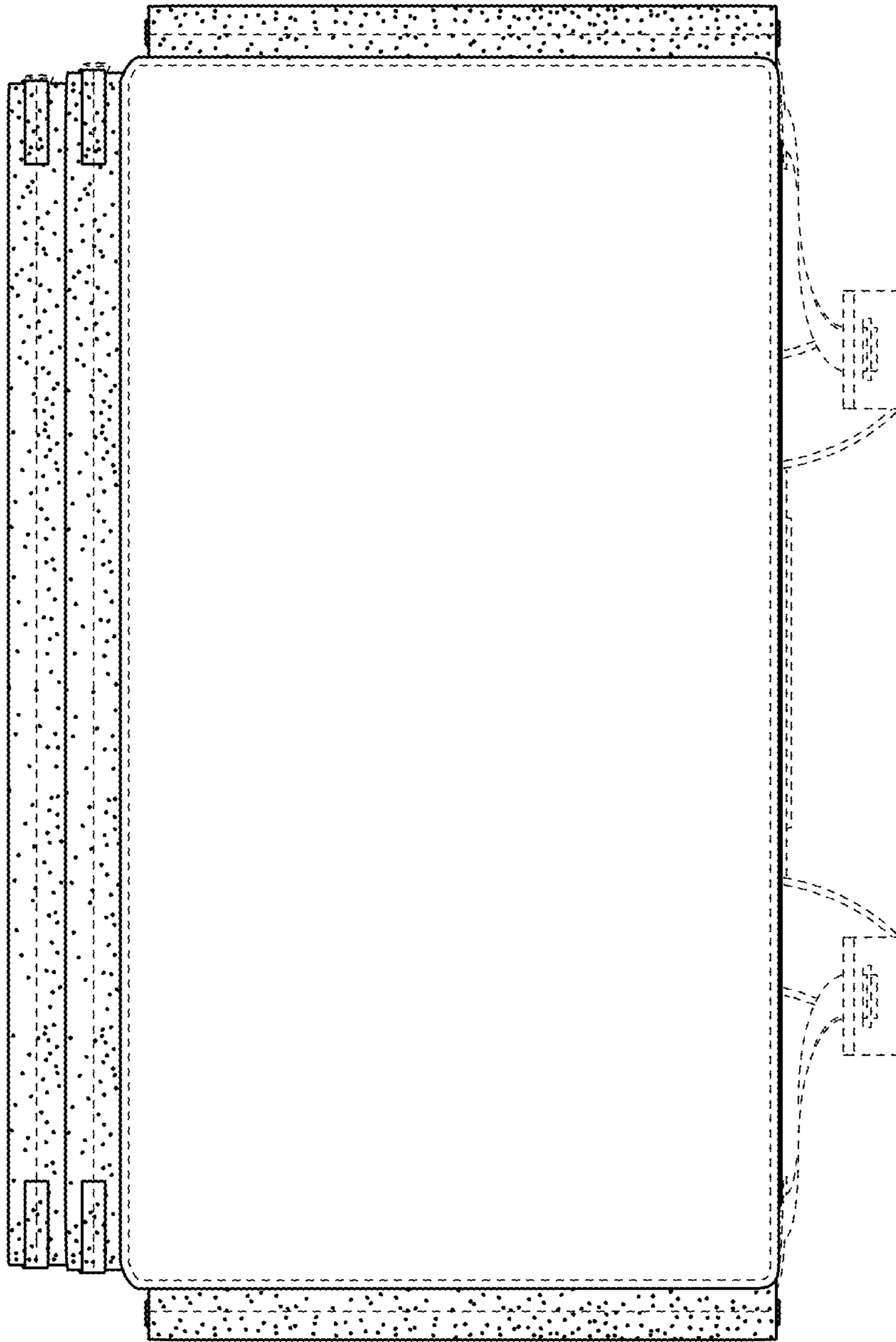


FIG. 7

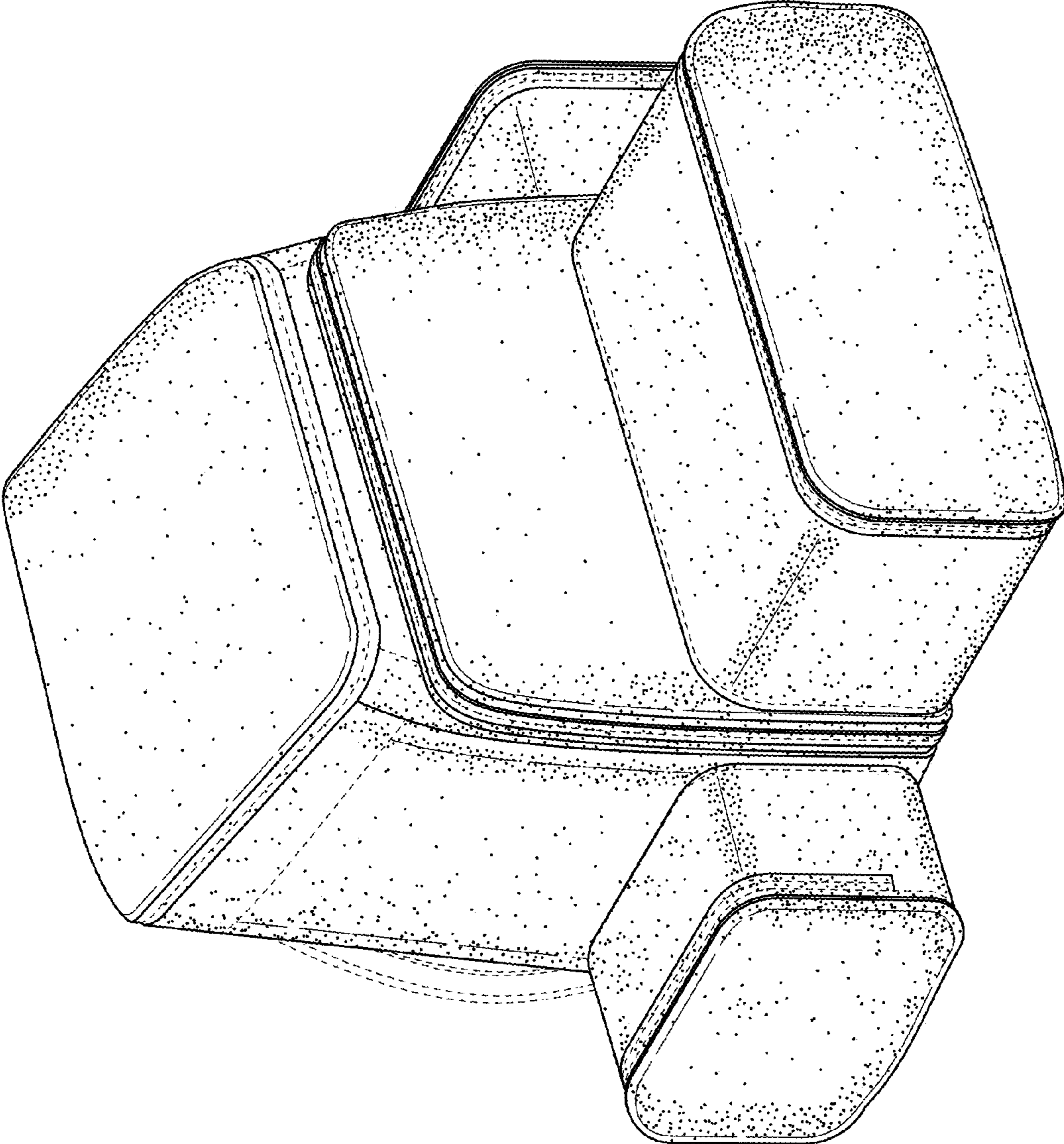


FIG. 8

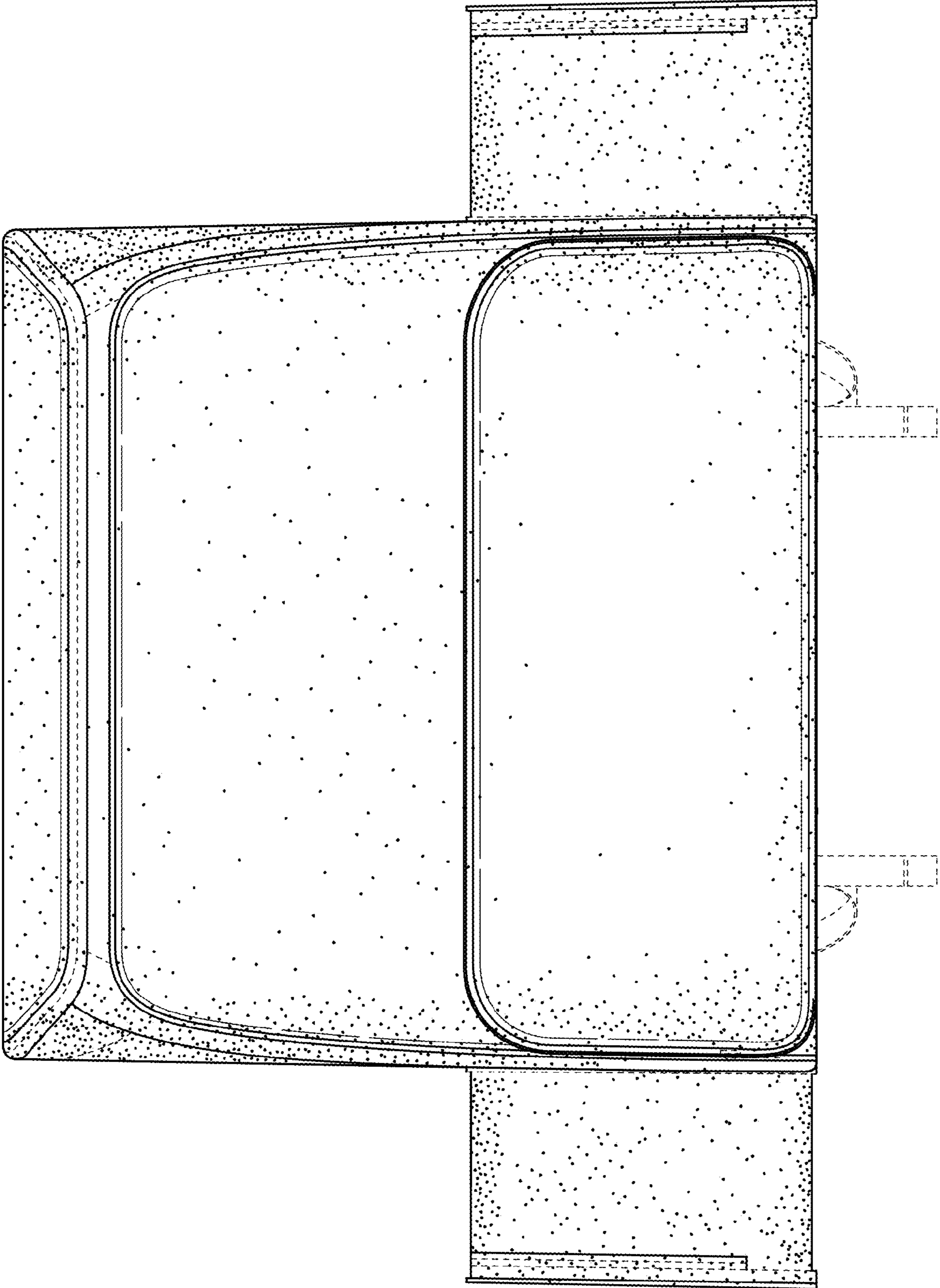


FIG. 9

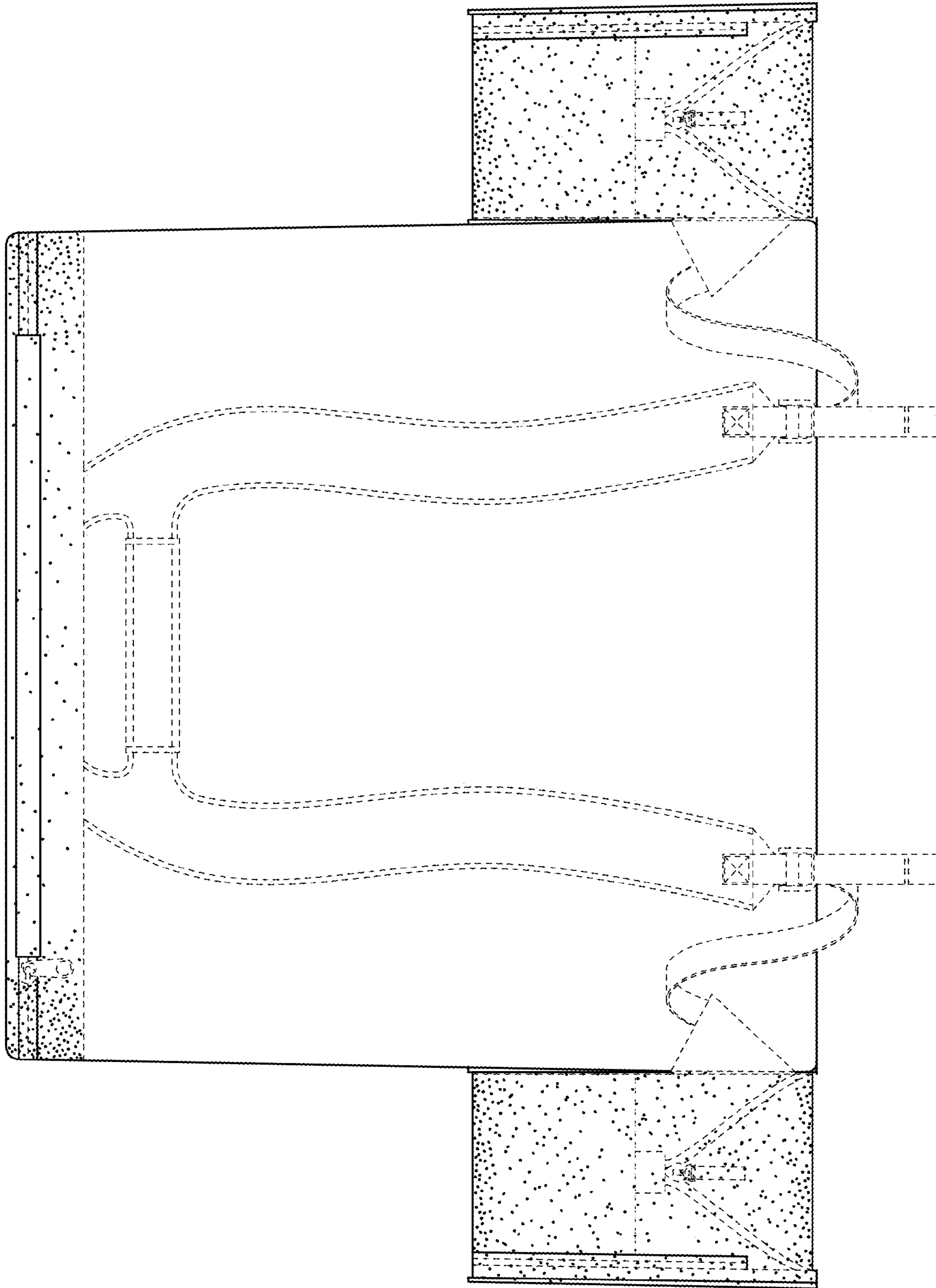


FIG. 10

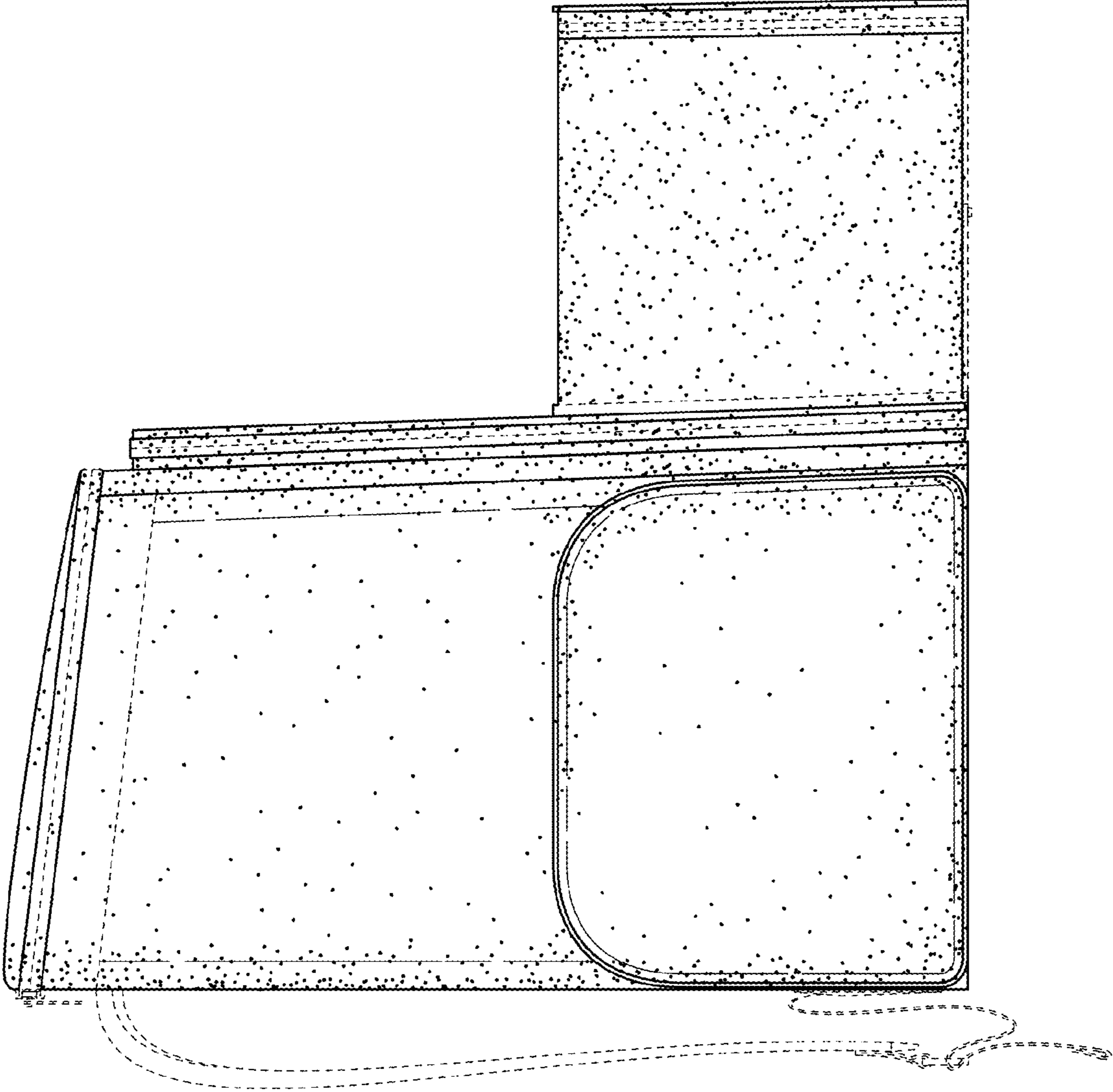


FIG. 11

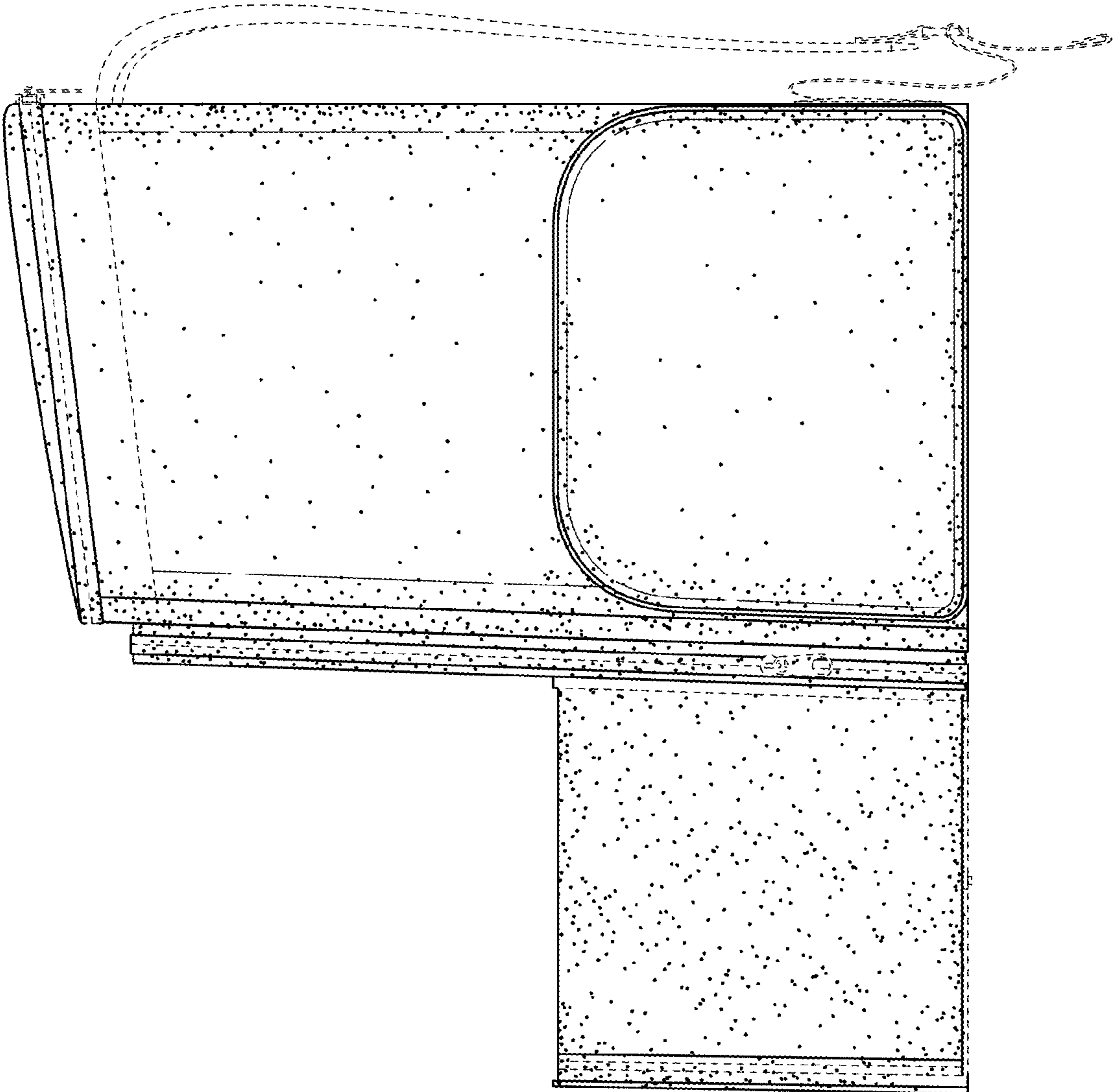


FIG. 12

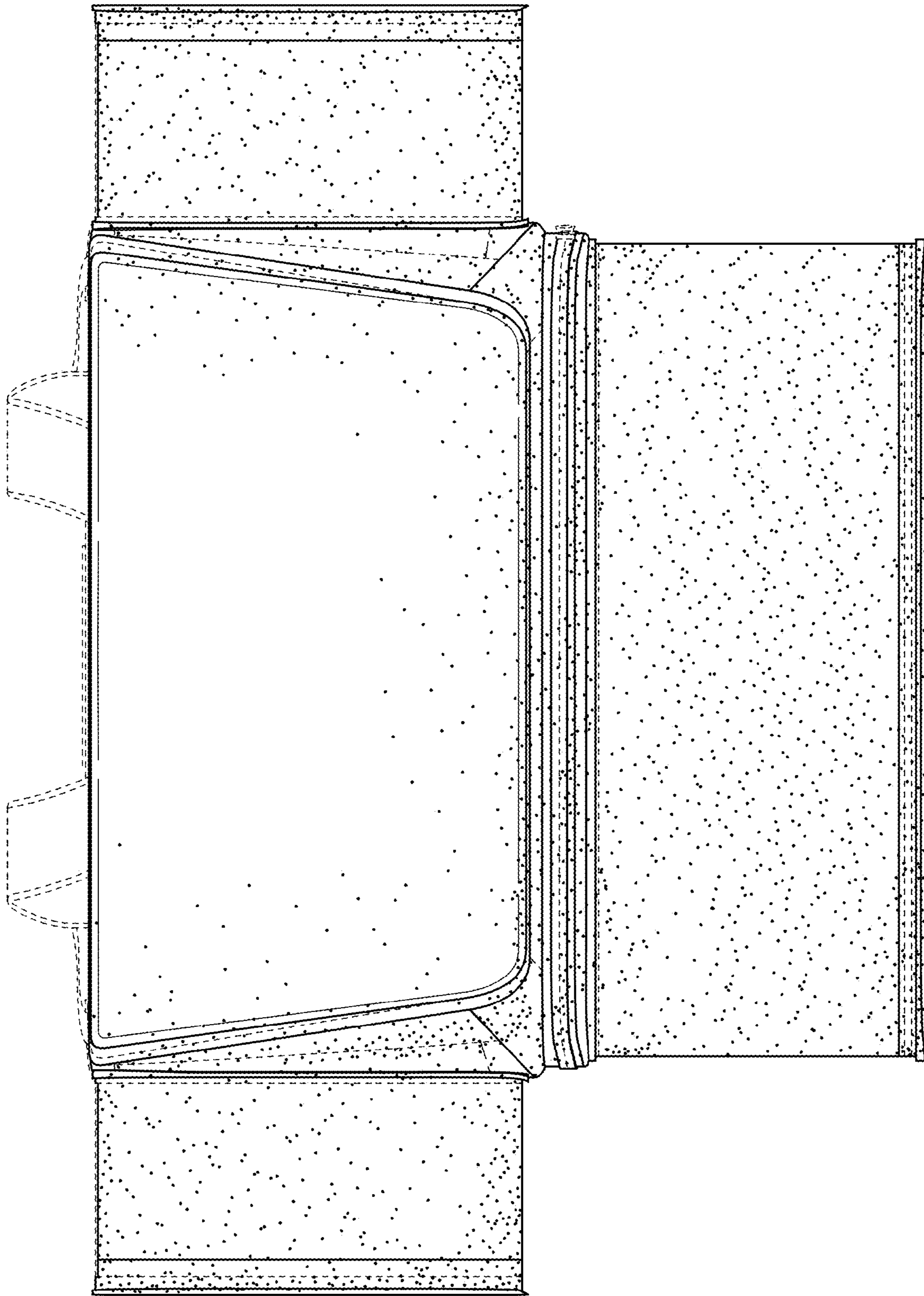


FIG. 13

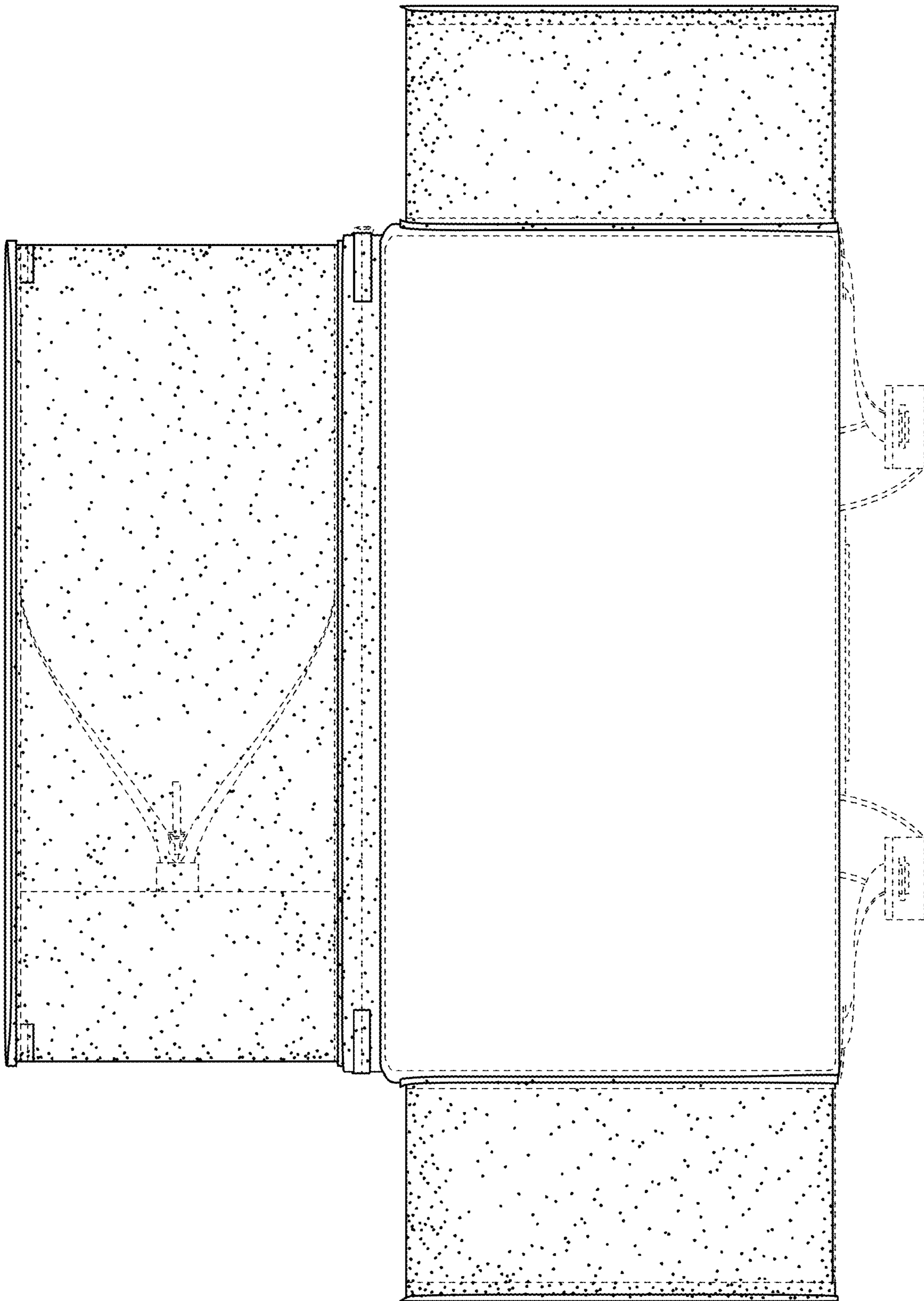


FIG. 14