



US00D961910S

(12) **United States Design Patent** (10) **Patent No.:** **US D961,910 S**  
**Yan** (45) **Date of Patent:** **\*\* Aug. 30, 2022**

(54) **VENTILATED PET CARRIER BACKPACK**

(71) Applicant: **Nelson Yan**, Los Angeles, CA (US)

(72) Inventor: **Nelson Yan**, Los Angeles, CA (US)

(\*\*) Term: **15 Years**

(21) Appl. No.: **29/685,125**

(22) Filed: **Mar. 26, 2019**

(51) **LOC (13) Cl.** ..... **03-01**

(52) **U.S. Cl.**

USPC ..... **D3/217**; D30/109

(58) **Field of Classification Search**

USPC ..... D3/215–217, 232, 233, 243, 244, 246,  
D3/273, 276, 289, 290, 291, 318, 321,  
D3/322, 323, 326, 327; D30/108, 109,  
D30/118

CPC ..... A45F 4/02; A45F 4/08; A45F 2200/05;  
A45F 2200/0525; A45F 3/02; A45F 3/04;  
A45F 3/042; A45F 3/045; A45F 3/047;  
A45F 3/10; A45F 3/14; A45C 13/08;  
A45C 13/083; A45C 13/1046; A45C  
2003/002; A01K 1/0035; A01K 1/0254;  
A01K 1/0272; A01K 1/029

See application file for complete search history.

(56) **References Cited**

**U.S. PATENT DOCUMENTS**

6,286,461	B1	9/2001	Martz	
D487,189	S *	3/2004	Ukitsu	D3/215
6,899,057	B1 *	5/2005	Chrisco	A01K 1/0254 119/498
D523,995	S	6/2006	Knittle	
D575,461	S	8/2008	Cannon et al.	
D662,263	S *	6/2012	Chau	D30/109
8,413,808	B1 *	4/2013	Tong	A45F 3/04 206/305
D685,952	S	7/2013	Dixon	
D717,502	S	11/2014	Dixon	
D724,792	S	3/2015	Renforth et al.	
D734,032	S *	7/2015	Robinson	D3/283
D734,942	S	7/2015	Robinson	
9,392,766	B1 *	7/2016	Elden	A01K 1/0035

D804,738	S	12/2017	Nourollah	
D818,204	S *	5/2018	Renforth	D30/109
D856,602	S *	8/2019	Lu	D30/109
D856,662	S *	8/2019	Breines	D3/217
D869,099	S	12/2019	Lu	
D872,945	S	1/2020	Lu	
D883,658	S	5/2020	Lu	
D883,659	S	5/2020	Lu	

(Continued)

**OTHER PUBLICATIONS**

PetAmi Pet Carrier Backpack, posted at amazon.com, no posting date, retrieved Jan. 27, 2020, online, URL: [https://www.amazon.com/PetAmi-Ventilated-Structured-Collapsible-Turquoise/dp/B07P9ZQ18V/ref=pd\\_sbs\\_199\\_8?encoding=UTF8&pd\\_rd\\_i=B07P9ZQ18V&pd\\_rd\\_r=df2c3b05-2926-43fb-9b01-](https://www.amazon.com/PetAmi-Ventilated-Structured-Collapsible-Turquoise/dp/B07P9ZQ18V/ref=pd_sbs_199_8?encoding=UTF8&pd_rd_i=B07P9ZQ18V&pd_rd_r=df2c3b05-2926-43fb-9b01-) (Year: 2020).\*  
Outmax Dog Carrier Backpack, posted at amazon.com, no posting date, retrieved Jan. 27, 2020, online, URL: [https://www.amazon.com/dp/B07ZCR7R9M/ref=sspa\\_dk\\_detail\\_5?psc=1&pd\\_rd\\_i=B07ZCR7R9M&spLa=](https://www.amazon.com/dp/B07ZCR7R9M/ref=sspa_dk_detail_5?psc=1&pd_rd_i=B07ZCR7R9M&spLa=ZW5jcnlwdGVkUXVhbGlmaWVyPUEyQ0R) ZW5jcnlwdGVkUXVhbGlmaWVyPUEyQ0R (Year: 2020).\*

(Continued)

*Primary Examiner* — Mary Shannon Malley  
(74) *Attorney, Agent, or Firm* — Cislo & Thomas, LLP

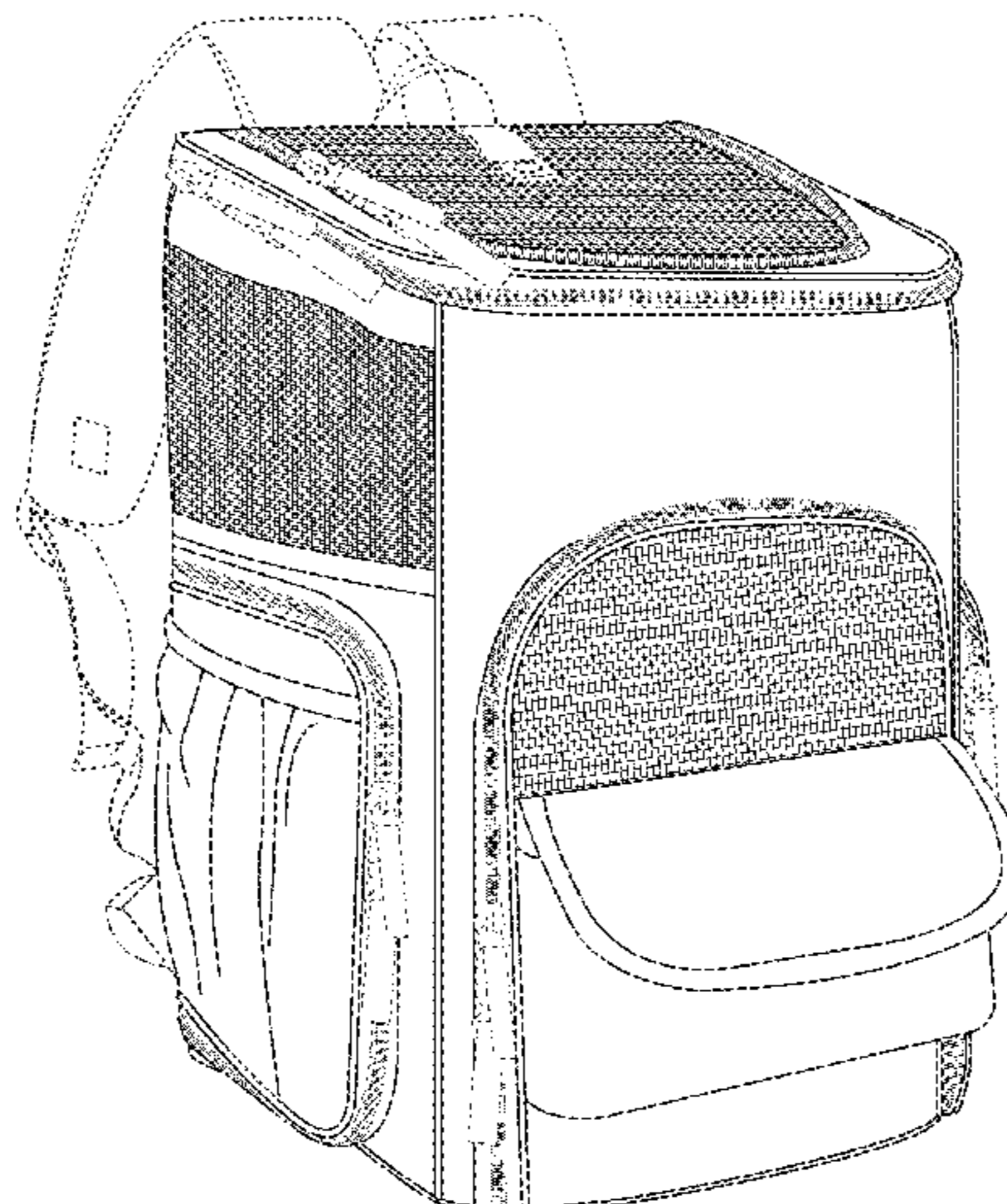
(57) **CLAIM**

The ornamental design for a ventilated pet carrier backpack, as shown and described.

**DESCRIPTION**

FIG. 1 is a front perspective view of the ventilated pet carrier backpack, showing my new design;  
FIG. 2 is a rear perspective view thereof;  
FIG. 3 is a front elevation view thereof;  
FIG. 4 is a rear elevation view thereof;  
FIG. 5 is a right side elevation view thereof;  
FIG. 6 is a left side elevation view thereof;  
FIG. 7 is a top plan view thereof; and,  
FIG. 8 is a bottom plan view thereof.  
The broken lines depict portions of ventilated pet carrier backpack that do not form part of the claimed design.

**1 Claim, 8 Drawing Sheets**



(56)

**References Cited**

U.S. PATENT DOCUMENTS

D885,043	S	5/2020	Lu	
2002/0139820	A1*	10/2002	Godshaw	..... A45F 3/04 224/153
2008/0216760	A1	9/2008	Cannon et al.	
2010/0000472	A1	1/2010	Siklosi	
2010/0108730	A1*	5/2010	Sabbah	..... A45F 3/04 224/651
2011/0005467	A1	1/2011	Siklosi	
2012/0186533	A1	7/2012	Lu	
2014/0166704	A1*	6/2014	Perera	..... A45F 3/04 224/153
2016/0192614	A1*	7/2016	Hawk	..... A01K 1/0236 119/497
2017/0112267	A1*	4/2017	Wu	..... E04H 15/18
2019/0133073	A1*	5/2019	Lu	..... A45C 7/0063

OTHER PUBLICATIONS

Amazon, "PetAmi Deluxe Pet Carrier Backpack for Small Cats and Dogs, Puppies . . . ", First review posted Mar. 16, 2018. (<https://www.amazon.com/dp/B07B66PWS7/>) (Year: 2018); 7 pages.

Amazon.com \_ PetAmi Premium Airline Approved Soft-Sided Pet Travel Carrier \_ Ventilated, Comfortable Design with Safety Features \_ Ideal for Small to Medium Sized Cats, Dogs, and Pets (Large, Heather Gray) \_ Pet Supplies; 10 pages.

Amazon.com \_ Prodigen Pet Carrier Airline Approved Pet Carrier Dog Carriers for Small Dogs, Cat Carriers for Medium Cats Small Cats, Small Pet Carrier Small Dog Carrier Airline Approved Cat Pet Travel Carrier-Gray \_ Pet Supplies; 9 pages.

\* cited by examiner

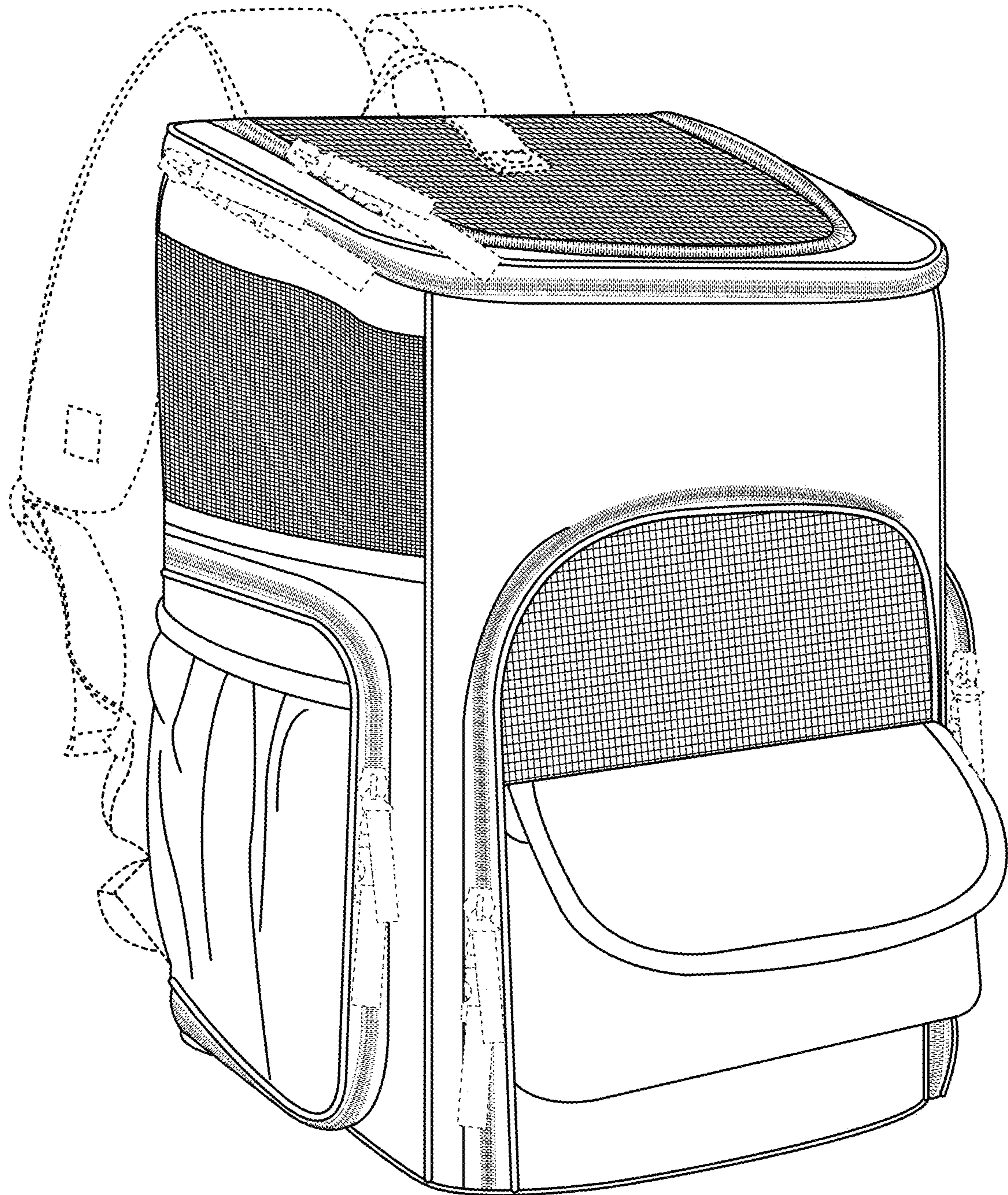


Fig. 1

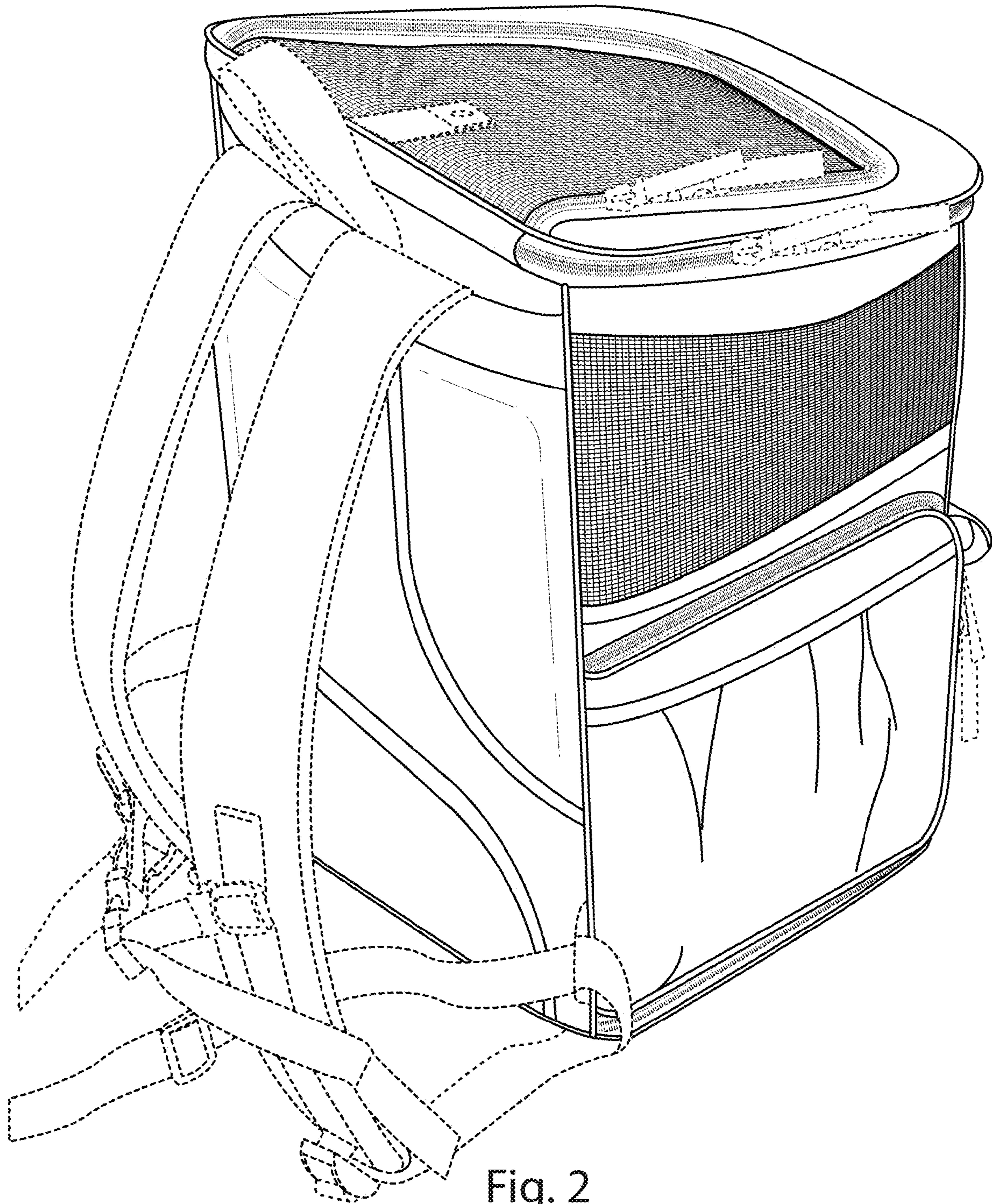


Fig. 2

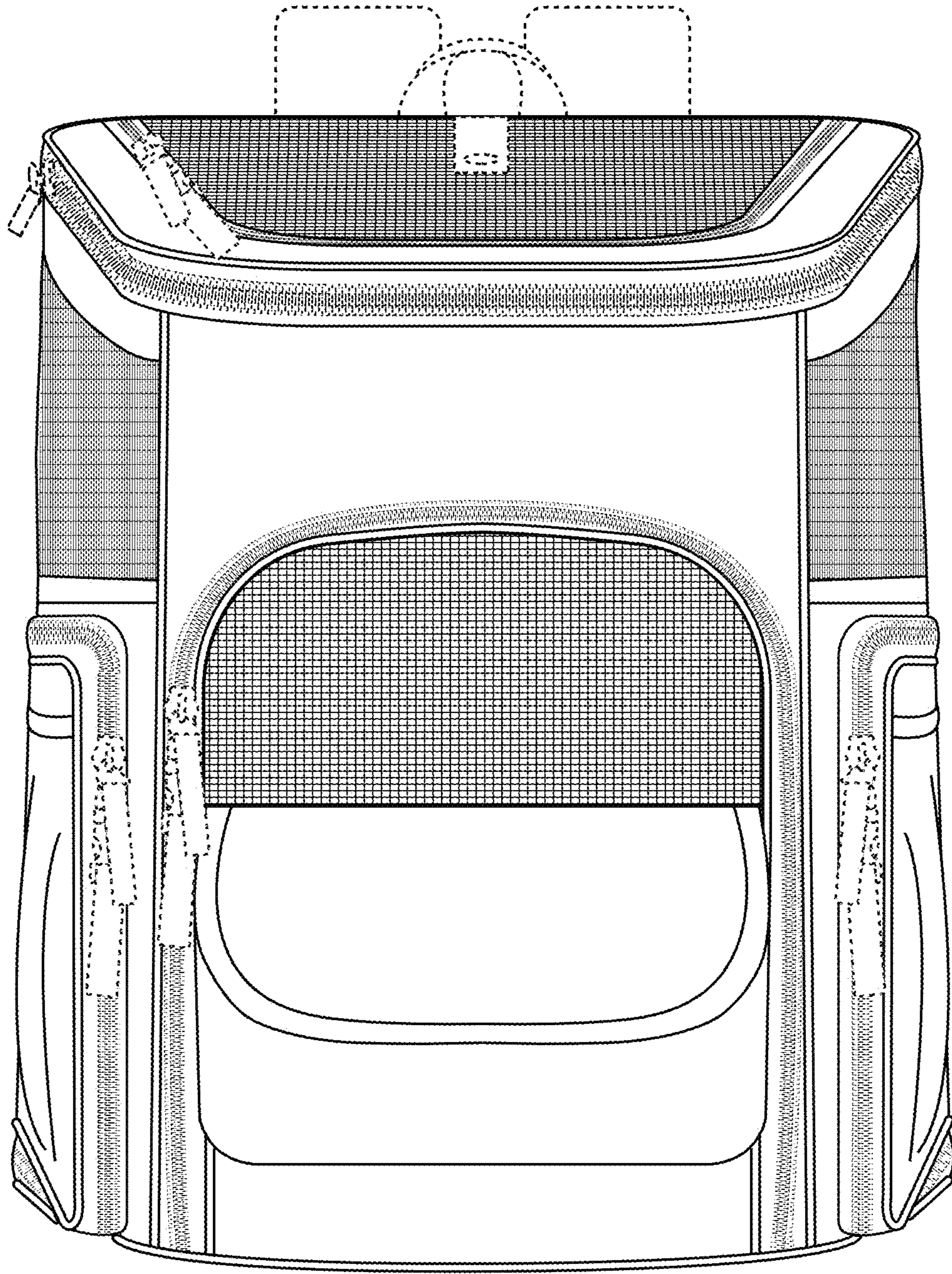


Fig. 3

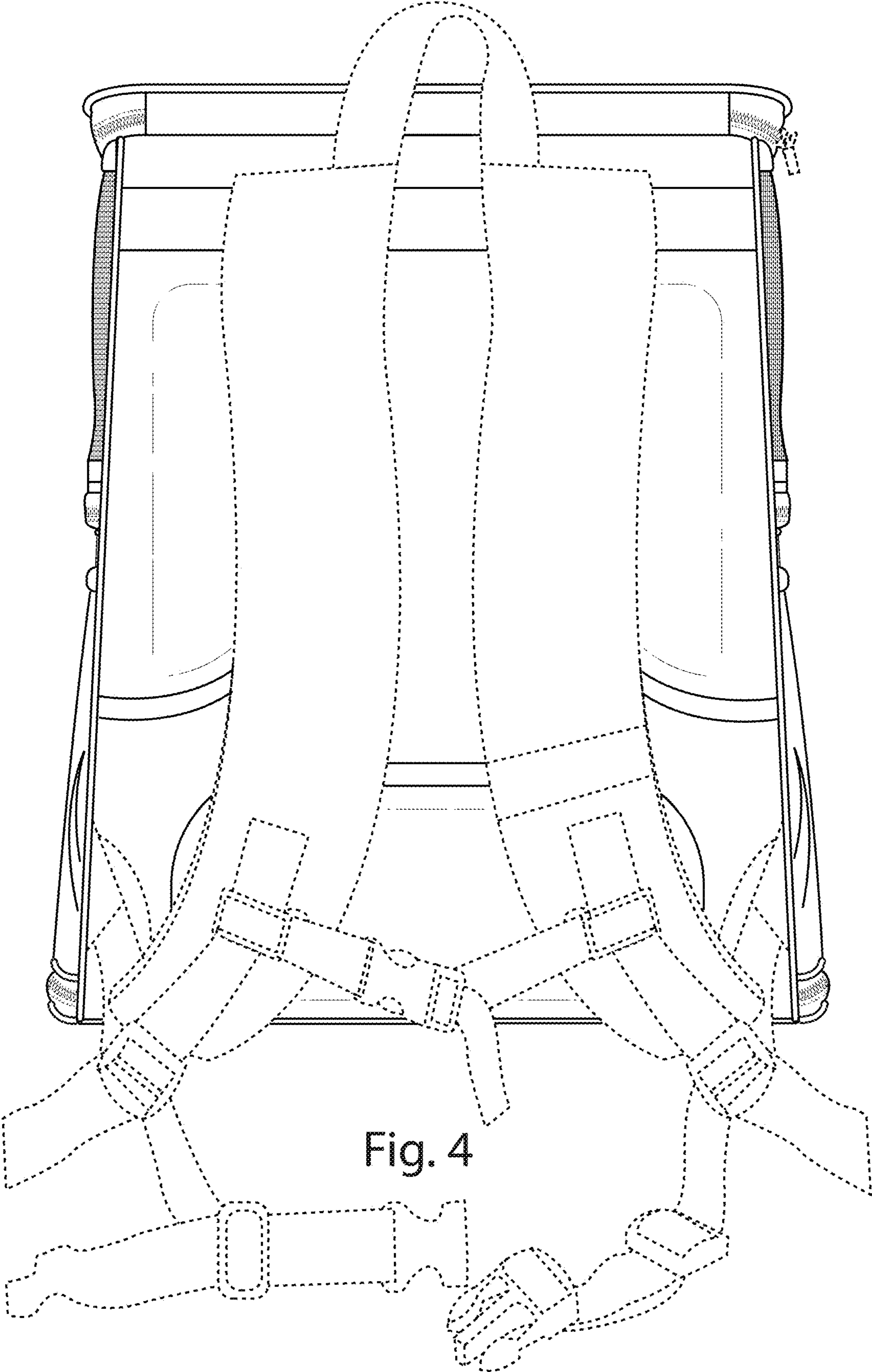


Fig. 4

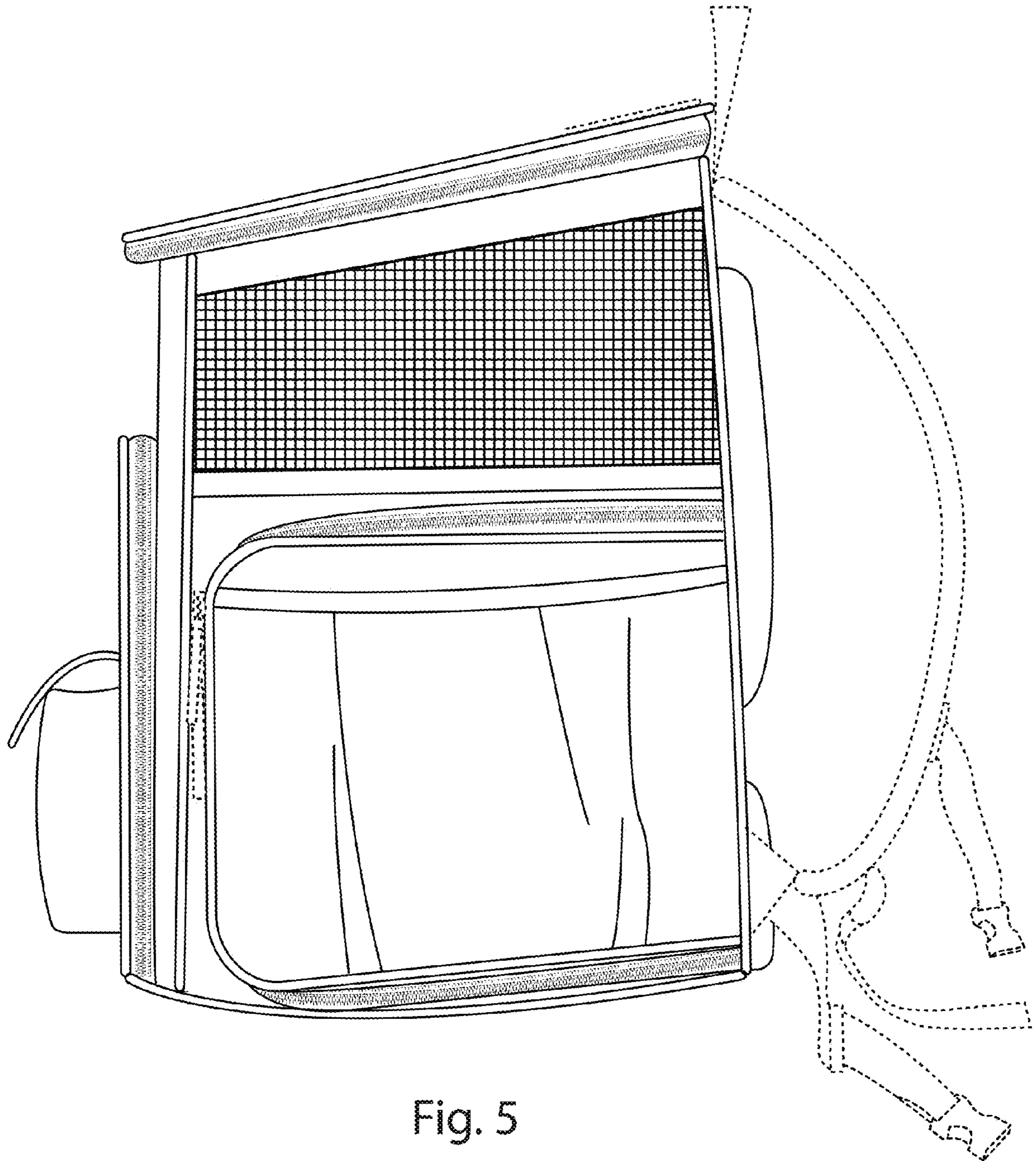


Fig. 5

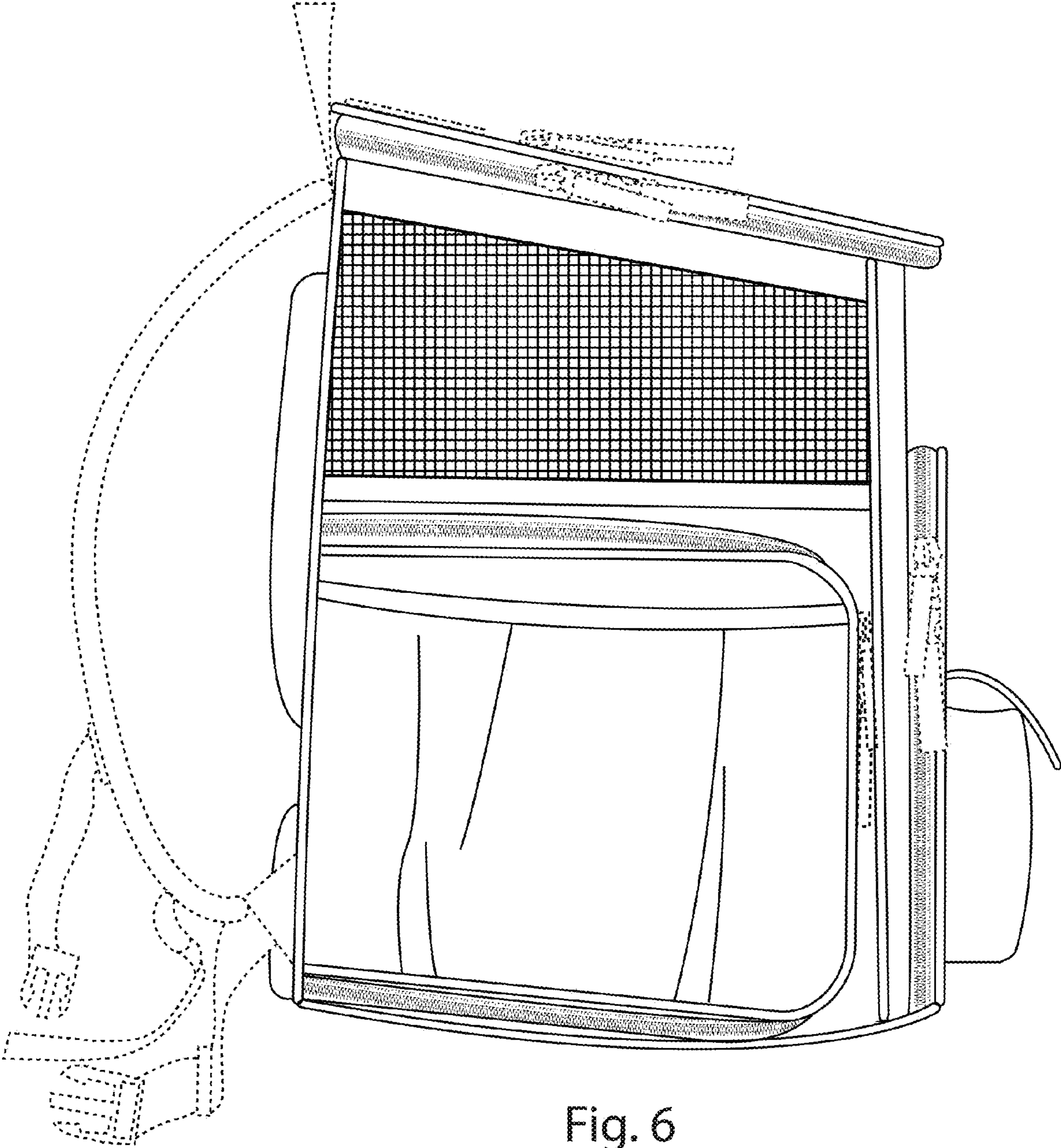


Fig. 6



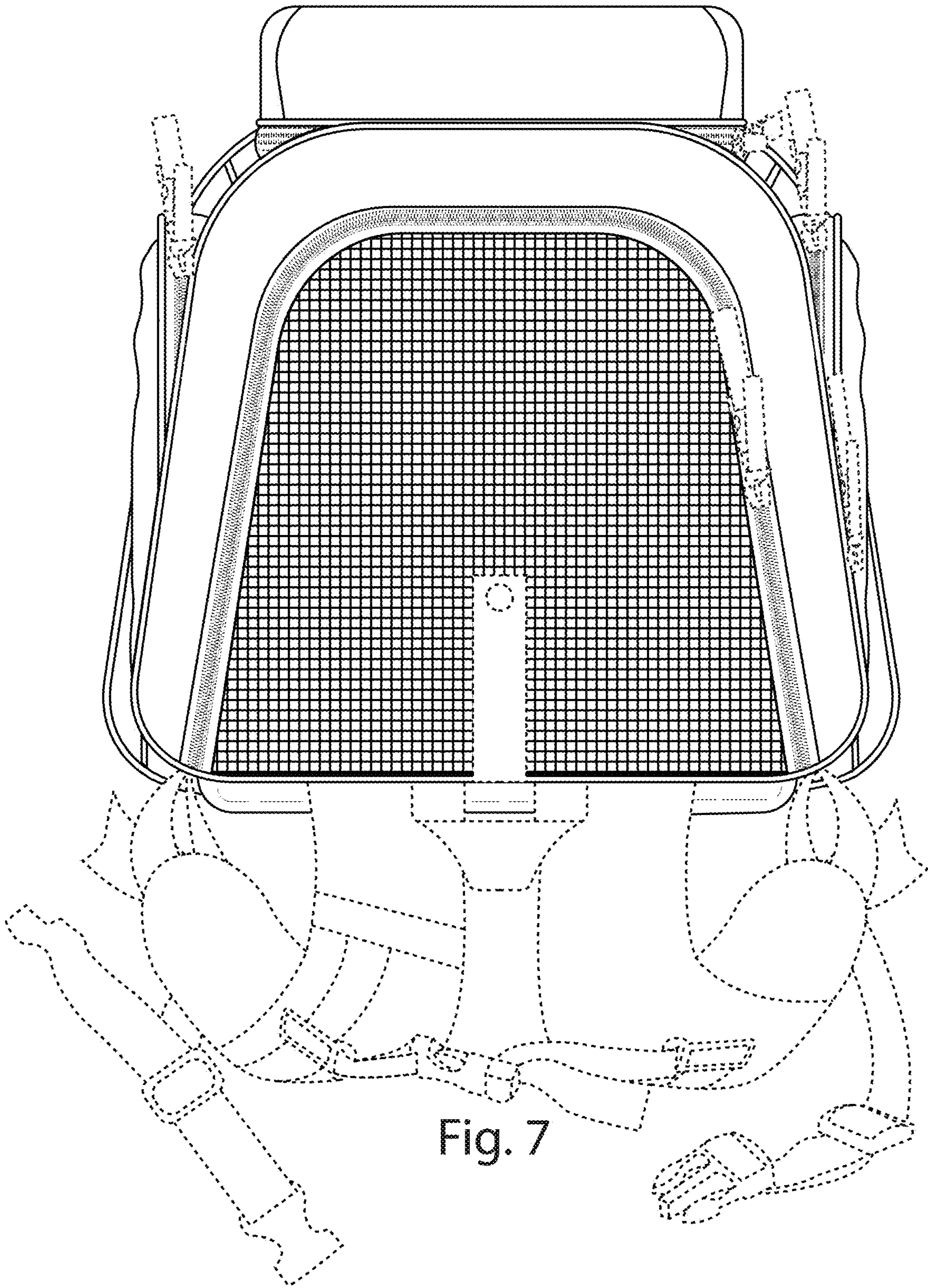


Fig. 7

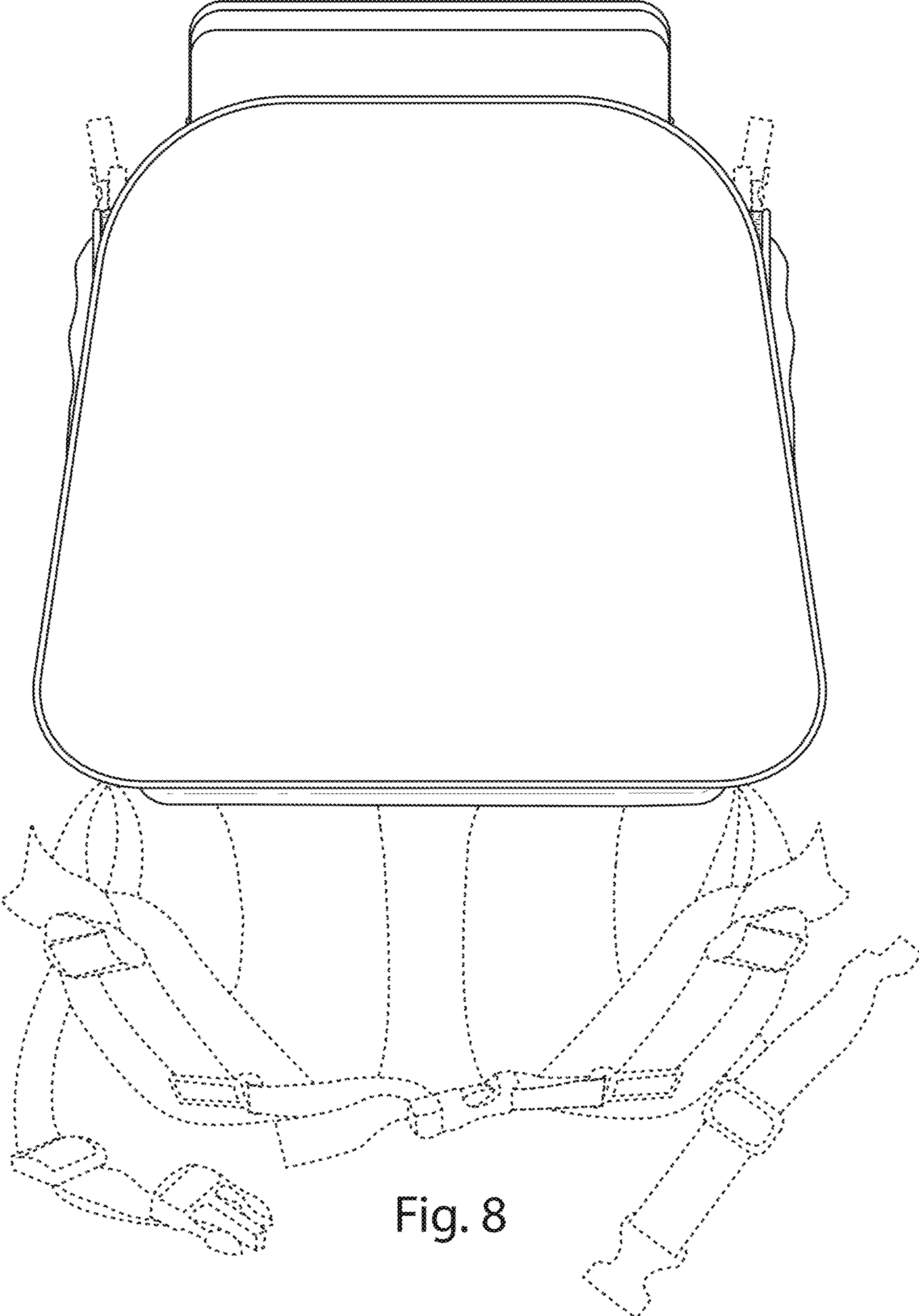


Fig. 8