



US00D961909S

(12) **United States Design Patent** (10) **Patent No.:** **US D961,909 S**
Edge et al. (45) **Date of Patent:** **** Aug. 30, 2022**

(54) **ORGANIZER BOX**

(71) Applicant: **Noka Supply, LLC**, Nashville, TN (US)

(72) Inventors: **Lauren Egge**, Nashville, TN (US);
Evan Reese, Nashville, TN (US)

(73) Assignee: **Noka Supply, LLC**, Nashville, TN (US)

(**) Term: **15 Years**

(21) Appl. No.: **29/758,504**

(22) Filed: **Nov. 16, 2020**

(51) **LOC (13) Cl.** **03-01**

(52) **U.S. Cl.**
USPC **D3/203.3; D3/299**

(58) **Field of Classification Search**

USPC D3/203.1, 203.3, 205, 273, 284, 285,
D3/286, 287, 288, 289, 290, 294, 295,
D3/298, 299, 900, 901, 902, 903;
D9/433

CPC A45C 13/1069; B65D 2313/04
See application file for complete search history.

(56) **References Cited**

U.S. PATENT DOCUMENTS

D415,958 S	*	11/1999	Noble	D3/203.3
D539,138 S	*	3/2007	Mittelstaedt	D3/294
D831,330 S	*	10/2018	Kim	D3/203.1
D861,324 S	*	10/2019	Egge	D3/203.2
D898,348 S	*	10/2020	Guo	D3/203.3
D933,949 S	*	10/2021	Lee	D3/203.3
D937,579 S	*	12/2021	Cruice	D27/189
D945,146 S	*	3/2022	Qian	D3/203.2

OTHER PUBLICATIONS

Noka Supply, "NOKABOX", First reviewed May 21, 2020. (<https://nokasupply.com/products/nokabox-pill-organizer-twice-a-day?variant=32740828381324>) (Year: 2020).*

* cited by examiner

Primary Examiner — April Rivas

(74) *Attorney, Agent, or Firm* — Waller Lansden Dortch & Davis, LLP; Blake M. Bernard

(57) **CLAIM**

What is claimed is the ornamental design for a "organizer box", as shown and described.

DESCRIPTION

FIG. 1 is a front top perspective view showing the "organizer box" of Applicant's invention.

FIG. 2 is a bottom perspective view of the "organizer box" of Applicant's invention

FIG. 3 is a right side elevation view of the "organizer box" of Applicant's invention.

FIG. 4 is a left side elevation view of the "organizer box" of Applicant's invention.

FIG. 5 is a front elevation view of the "organizer box" of Applicant's invention.

FIG. 6 is a rear elevation view of the "organizer box" of Applicant's invention.

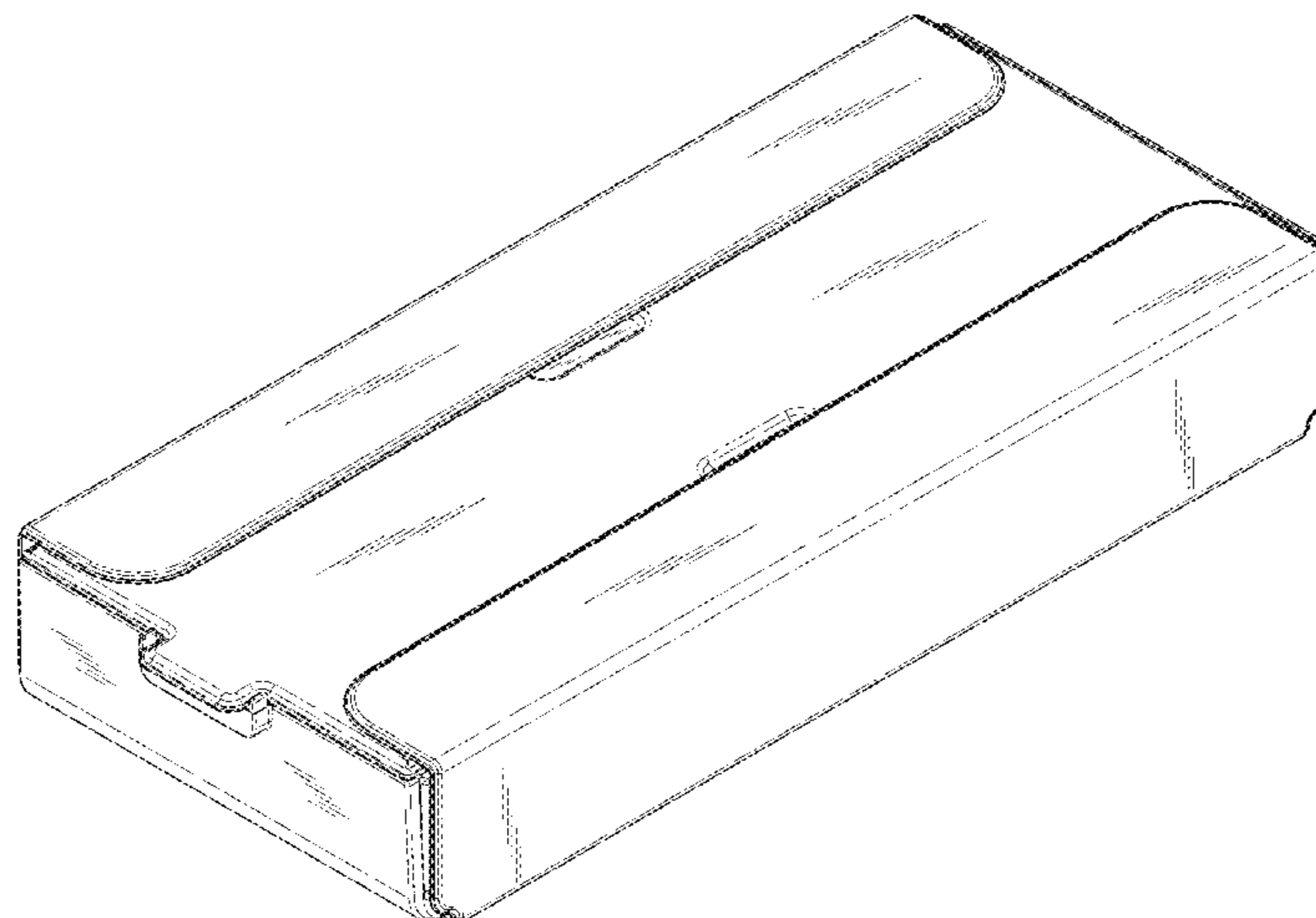
FIG. 7 is a top view of the "organizer box" of Applicant's invention.

FIG. 8 is a bottom view of the "organizer box" of Applicant's invention.

FIG. 9 is a right side perspective view of the "organizer box" of the Applicant's invention with side flaps of an outer covering of the "organizer box" in an open orientation; and, FIG. 10 is a left side perspective view of the "organizer box" of the Applicant's invention with side flaps of an outer covering of the "organizer box" in an open orientation.

In the Figures, the broken lined areas represent portions of the "organizer box", particularly internal organizer trays and guide rails for the organizer trays, that do not form part of the claimed invention.

1 Claim, 8 Drawing Sheets



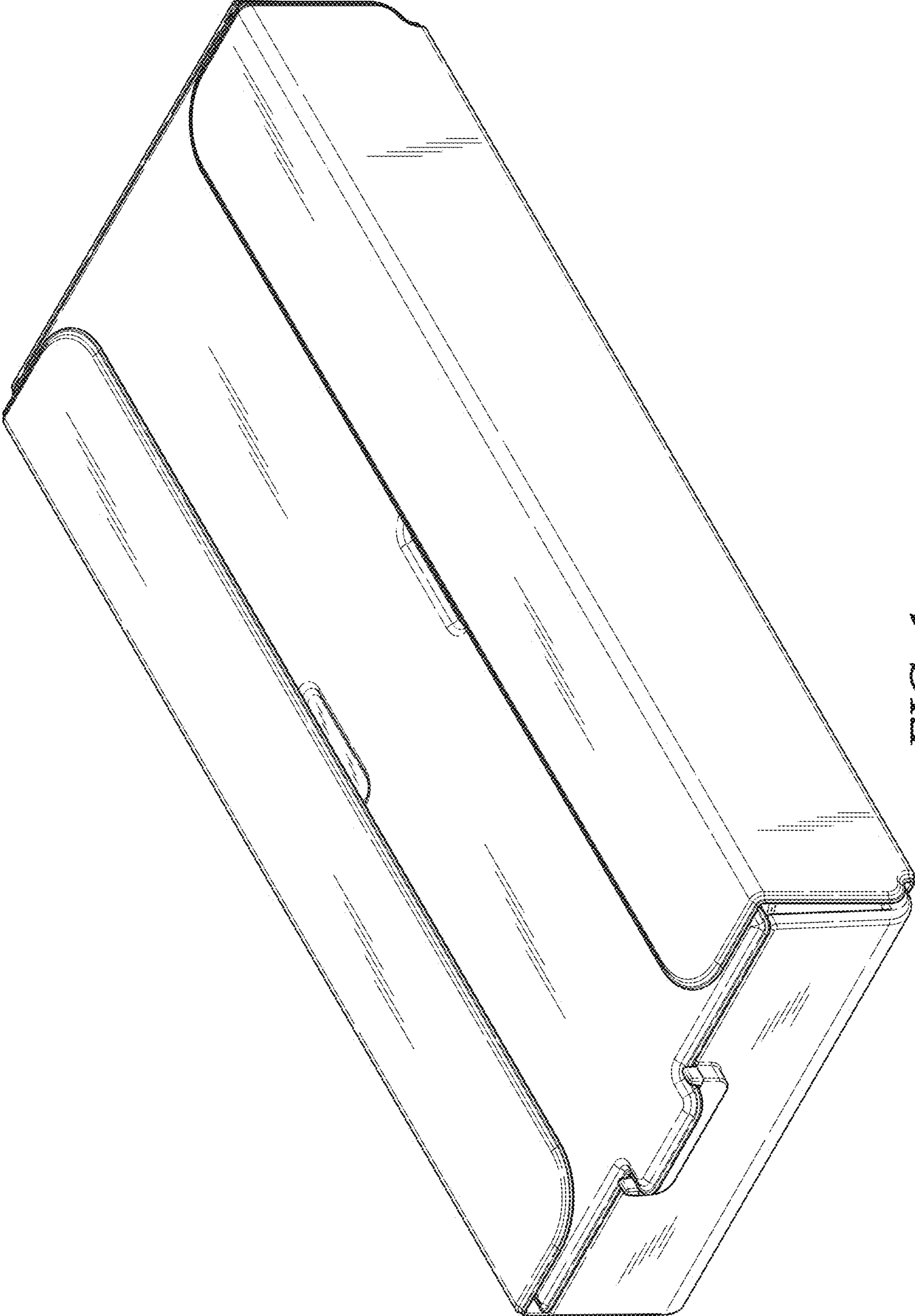


FIG. 1

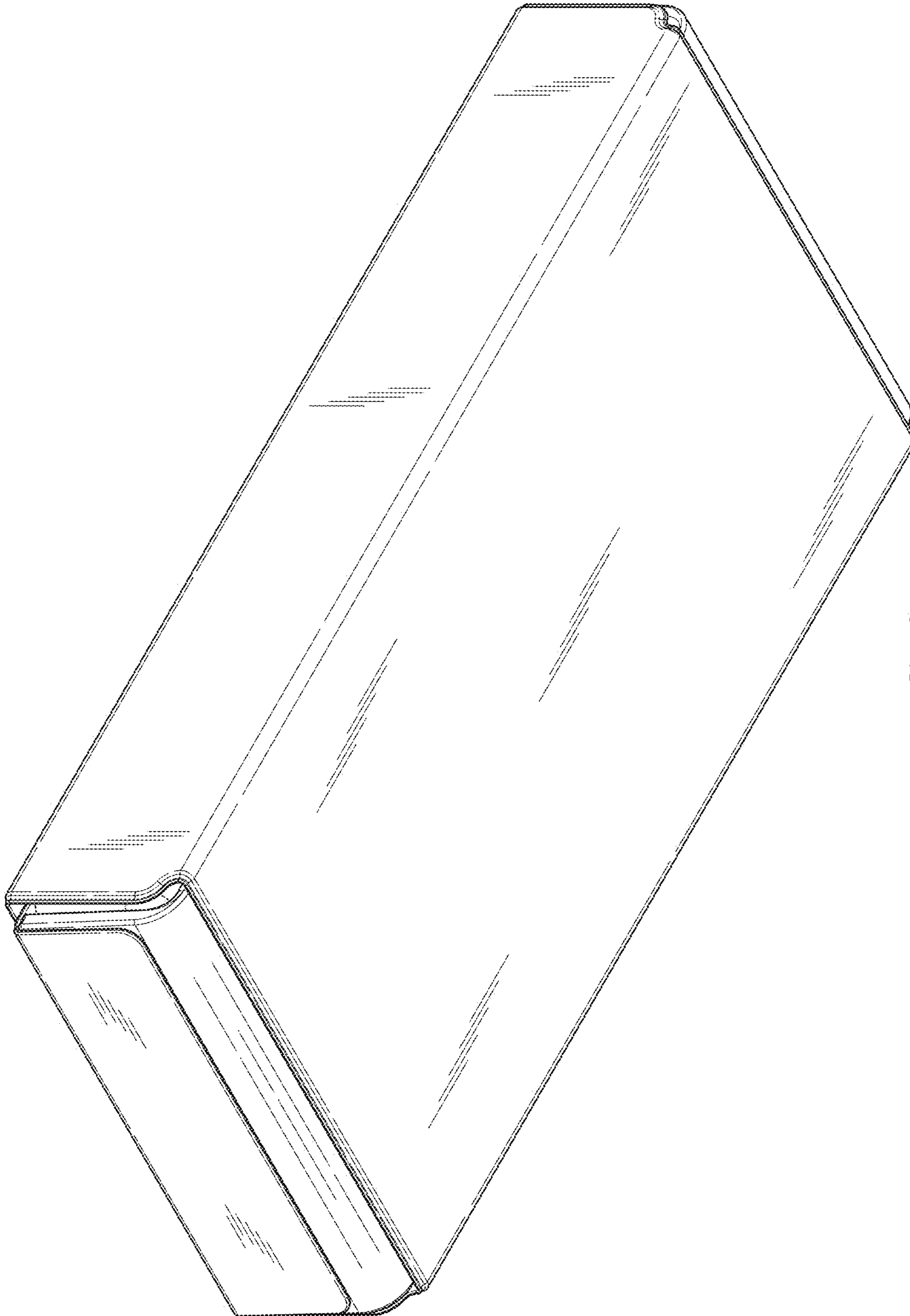


FIG. 2

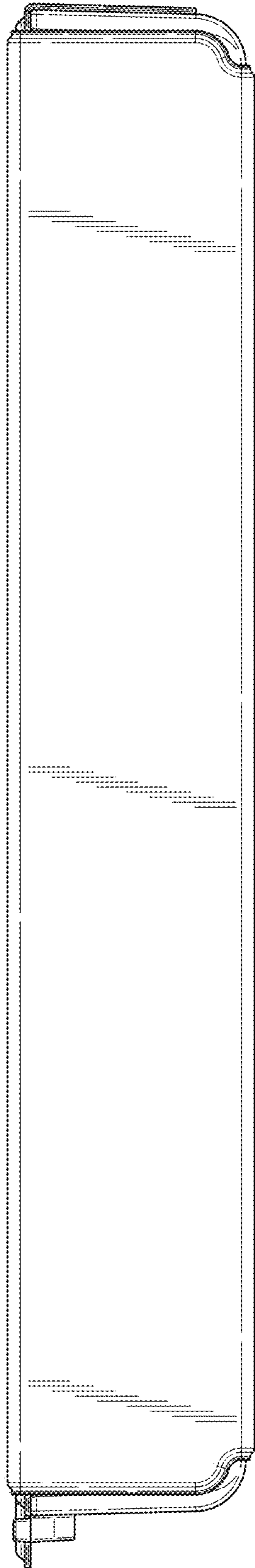


FIG. 3

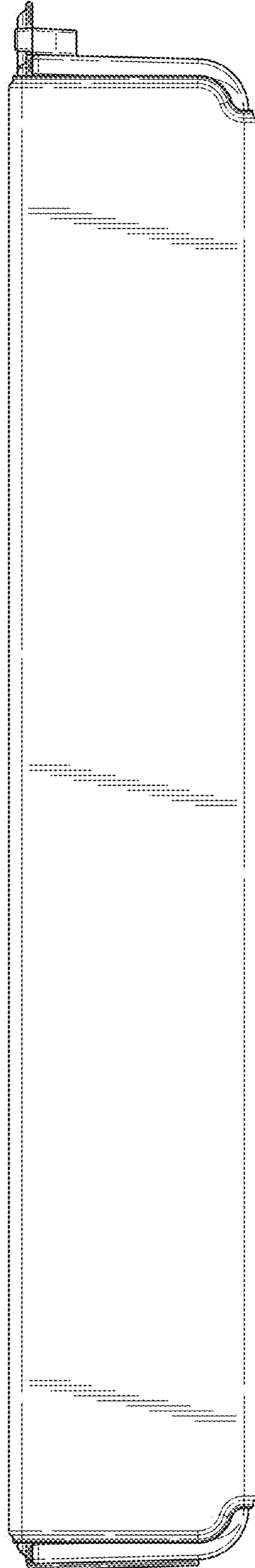


FIG. 4

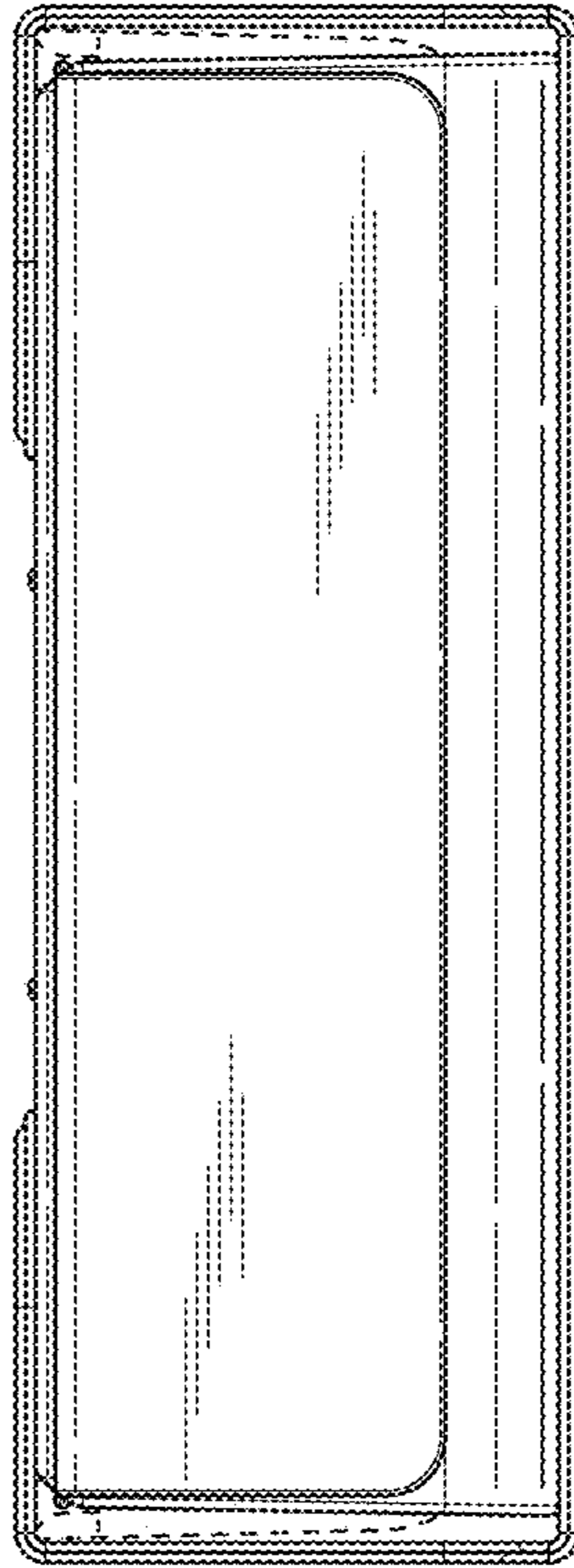


FIG. 6

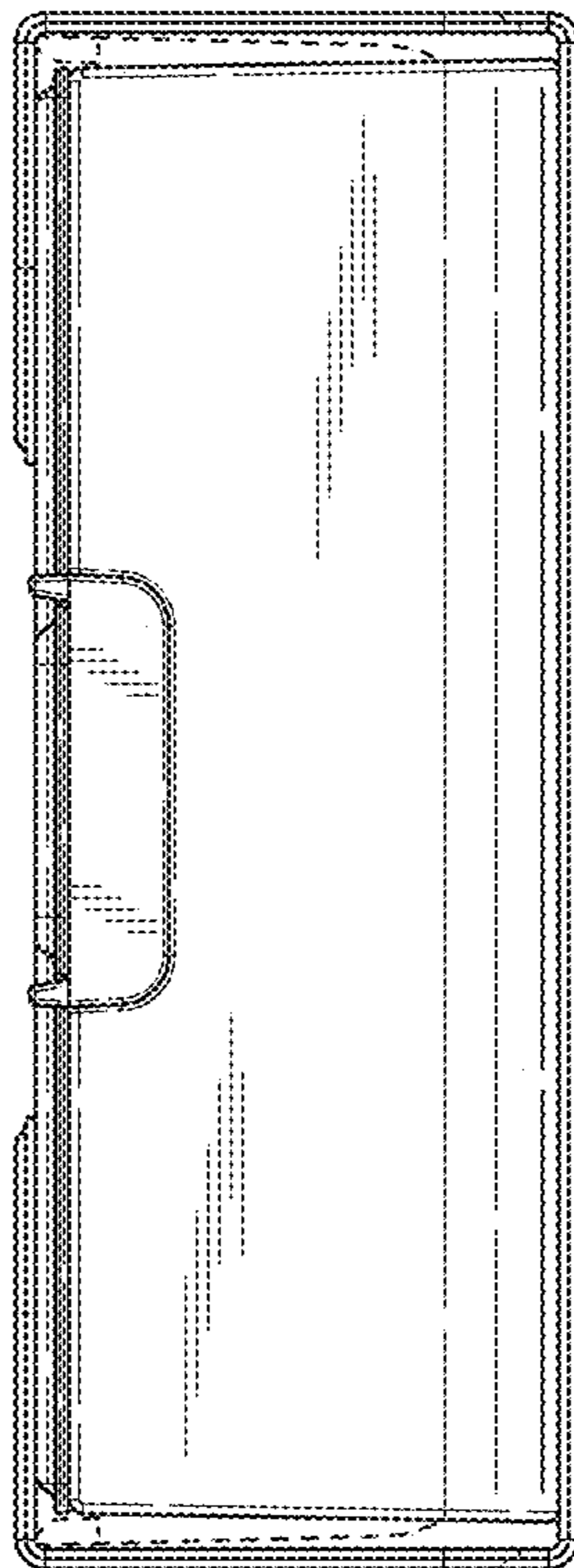


FIG. 5

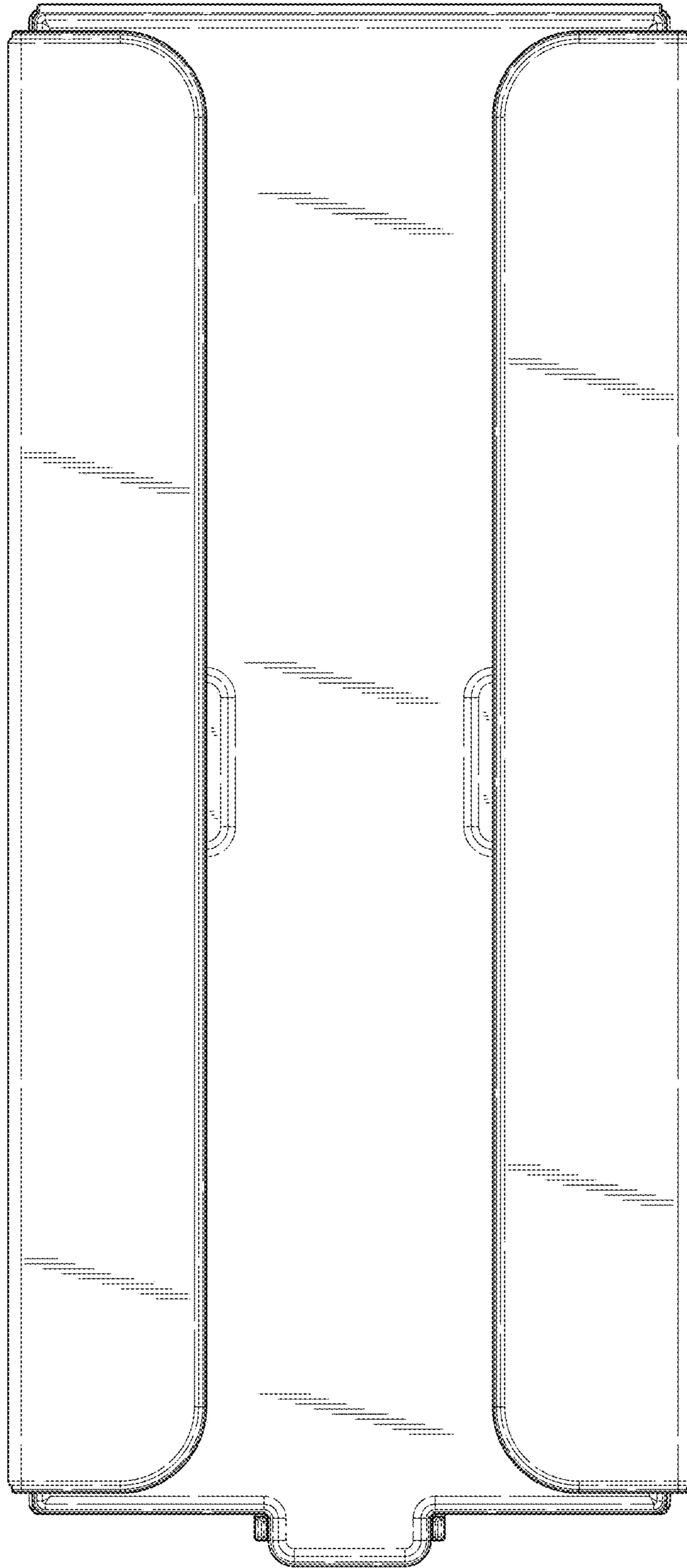


FIG. 7

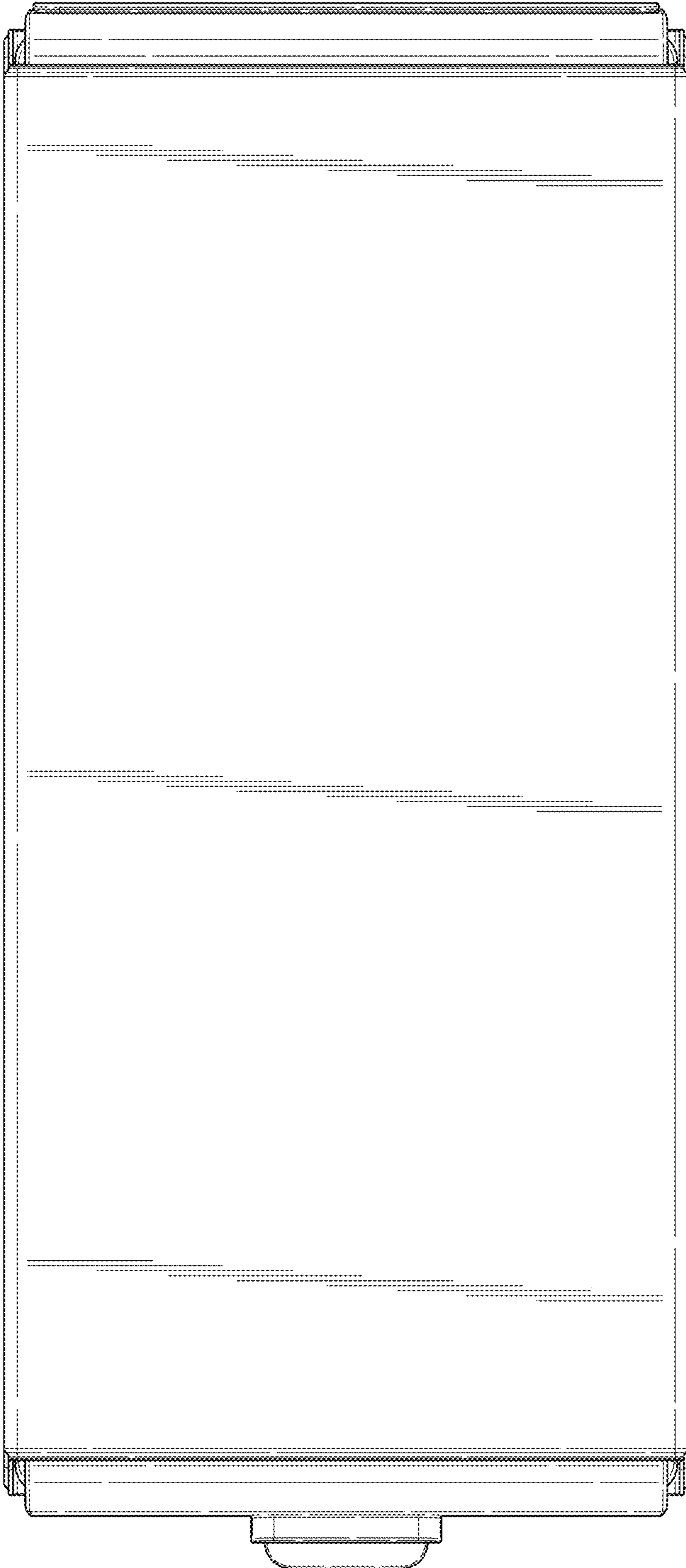


FIG. 8

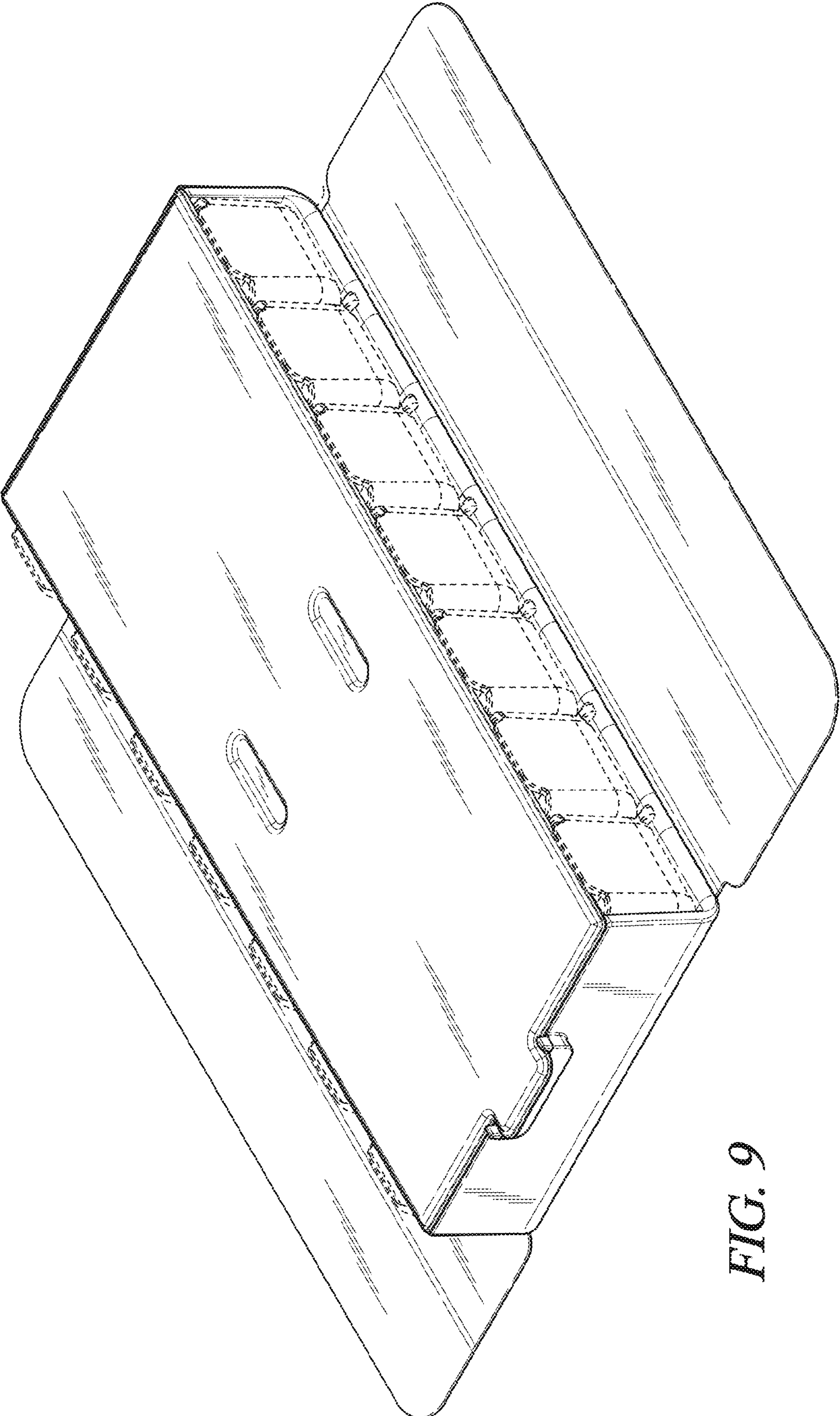


FIG. 9

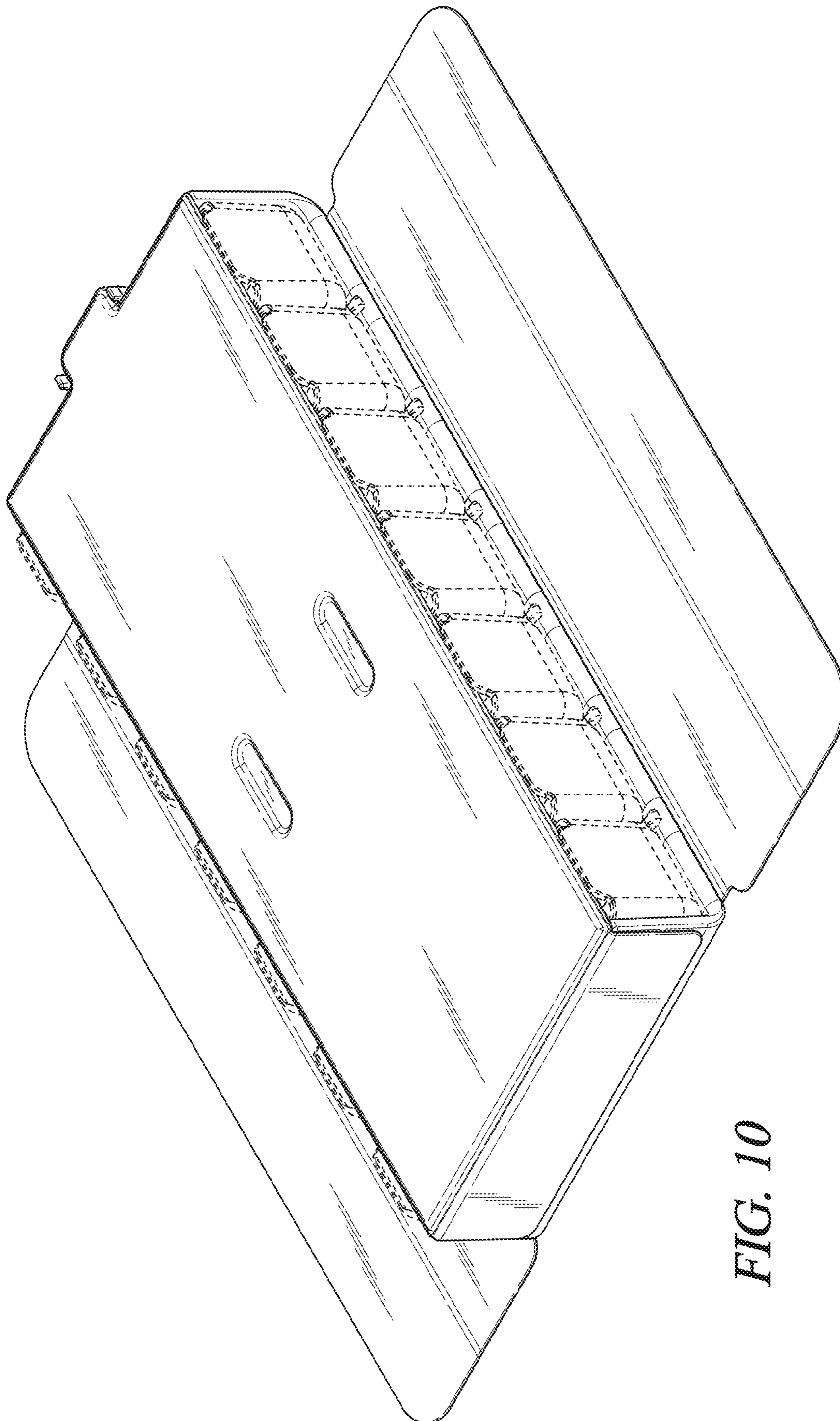


FIG. 10