



US00D961900S

(12) **United States Design Patent**  
**Aristizabal**

(10) **Patent No.:** **US D961,900 S**

(45) **Date of Patent:** **\*\* Aug. 30, 2022**

(54) **PADDED HEEL PROTECTOR**

(71) Applicant: **Andres Felipe Aristizabal**, New York City, NY (US)

(72) Inventor: **Andres Felipe Aristizabal**, New York City, NY (US)

(\*\*) Term: **15 Years**

(21) Appl. No.: **29/748,886**

(22) Filed: **Sep. 1, 2020**

D328,965 S *	9/1992	Ewing	.....	D2/961
D403,843 S *	1/1999	Howard	.....	D2/909
D571,540 S *	6/2008	Granito	.....	D2/915
D588,793 S *	3/2009	Dillenbeck	.....	A43B 23/28
				D2/972
D628,782 S *	12/2010	Butler	.....	A43B 23/28
				D2/964
D711,632 S *	8/2014	Granville	.....	A43B 23/28
				D2/915
D897,084 S *	9/2020	Andrews	.....	A43B 23/08
				D2/961
2015/0113830 A1 *	4/2015	Dillinger	.....	A43B 23/28
				12/147 R
2016/0183635 A1 *	6/2016	Mancini	.....	A43B 23/28
				36/58.6

**Related U.S. Application Data**

(63) Continuation-in-part of application No. 29/681,422, filed on Feb. 26, 2019, now abandoned.

(51) **LOC (13) Cl.** ..... **02-04**

(52) **U.S. Cl.**  
USPC ..... **D2/961**

(58) **Field of Classification Search**  
USPC ..... D2/642, 915, 946, 961  
CPC ..... A43B 23/28  
See application file for complete search history.

\* cited by examiner

*Primary Examiner* — Kevin K Rudzinski

*Assistant Examiner* — Amber J Rabie

(74) *Attorney, Agent, or Firm* — Mark Terry

(57) **CLAIM**

The ornamental design for a padded heel protector, as shown and described.

(56) **References Cited**

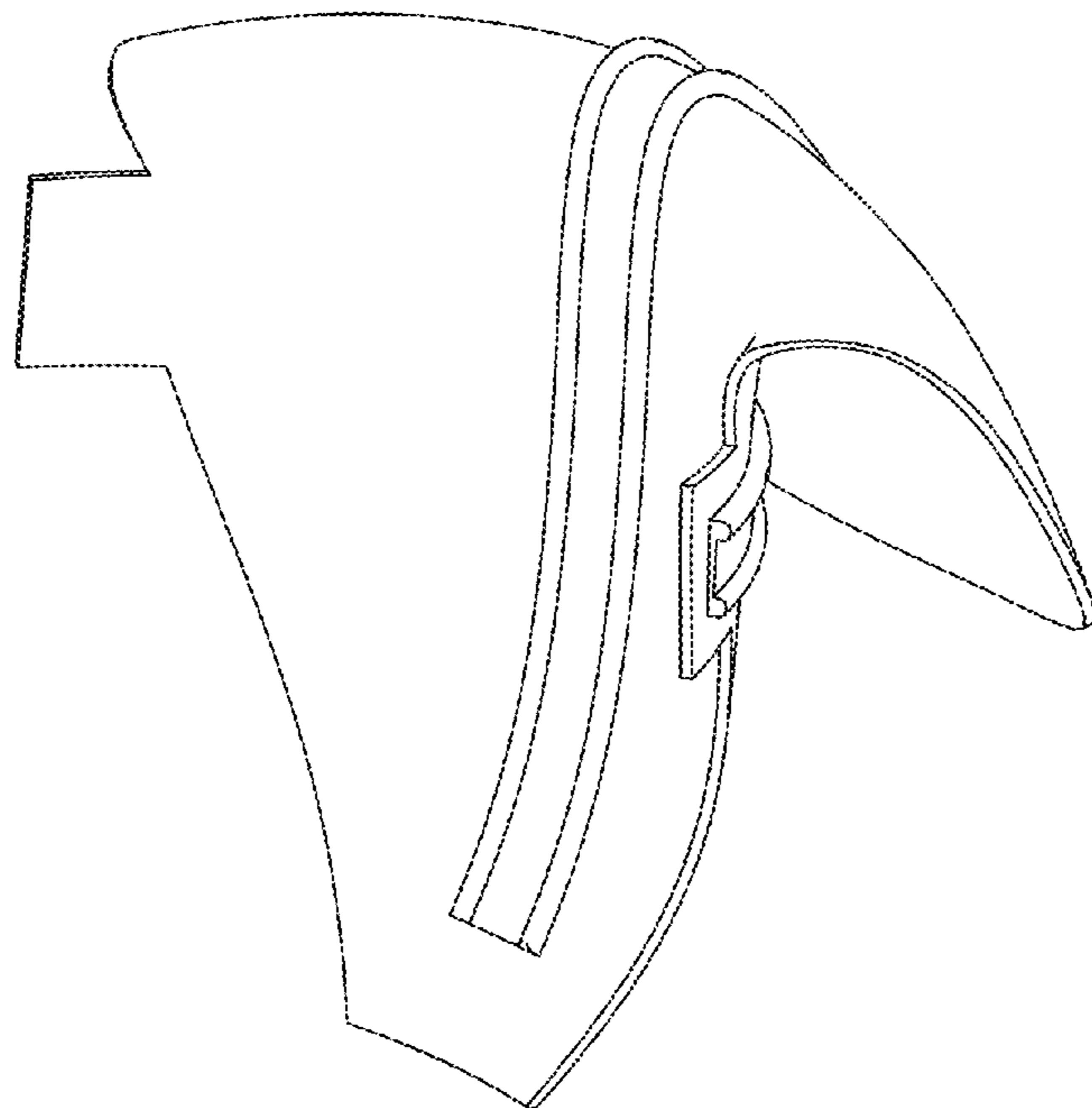
**U.S. PATENT DOCUMENTS**

1,229,913 A *	6/1917	Donisthorpe et al.	..	A43B 23/28
				36/7.1 R
1,444,166 A *	2/1923	Coleman	.....	A43B 23/28
				36/58.5
1,718,619 A *	6/1929	Watanabe	.....	A43B 23/28
				36/55
1,946,591 A *	2/1934	Saito	.....	A43B 23/08
				36/55
4,832,644 A *	5/1989	Roberts	.....	A63B 31/11
				36/114
D306,932 S *	4/1990	Flanders	.....	D2/915

**DESCRIPTION**

FIG. 1 is a rear perspective view of the padded heel protector, showing the new design; FIG. 2 is a front perspective view thereof; FIG. 3 is a rear view thereof; FIG. 4 is a left side view thereof; FIG. 5 is a front view thereof; FIG. 6 is a right side view thereof; FIG. 7 is a top view thereof; and, FIG. 8 is a bottom view thereof.

**1 Claim, 4 Drawing Sheets**



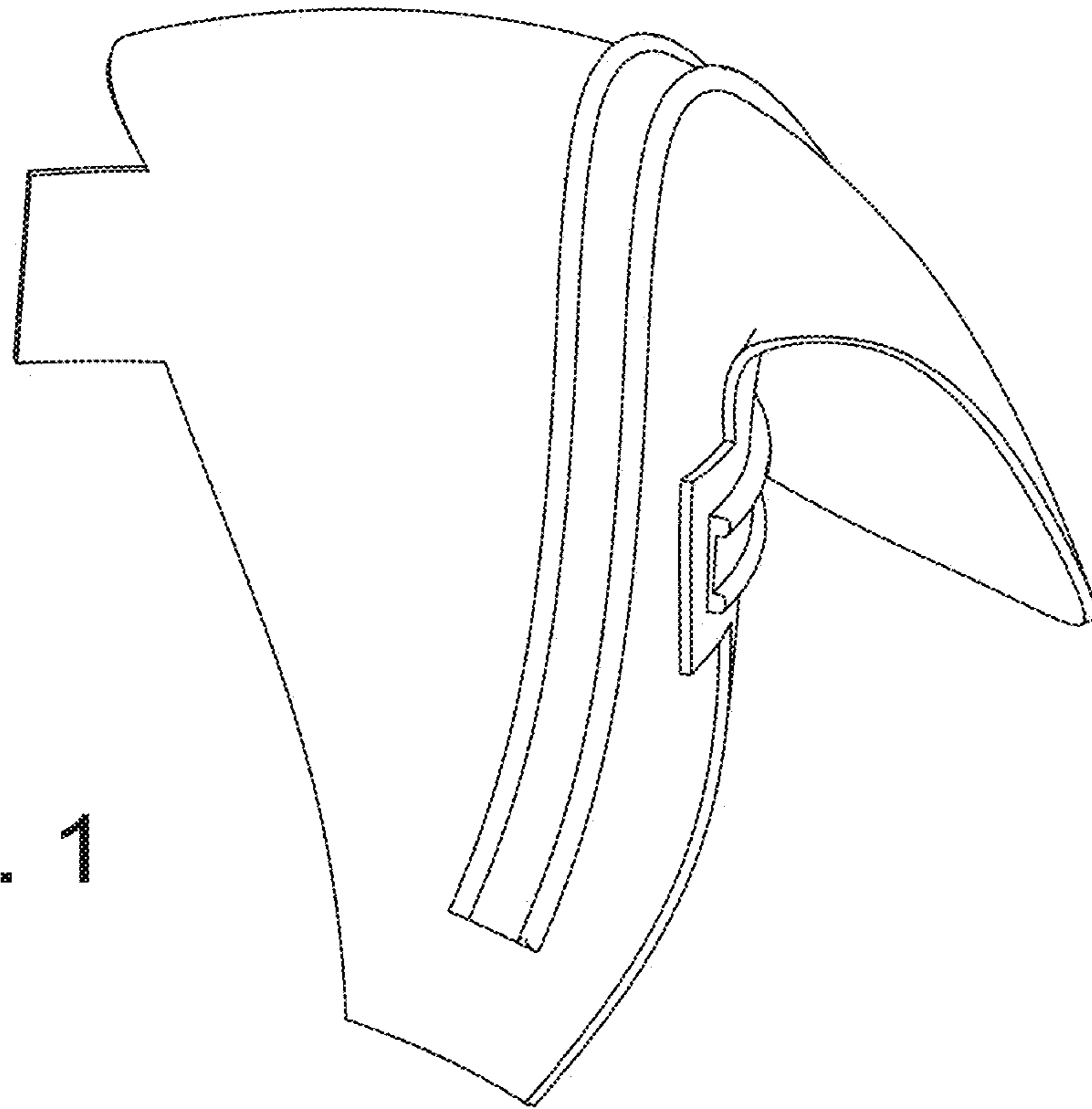


Fig. 1

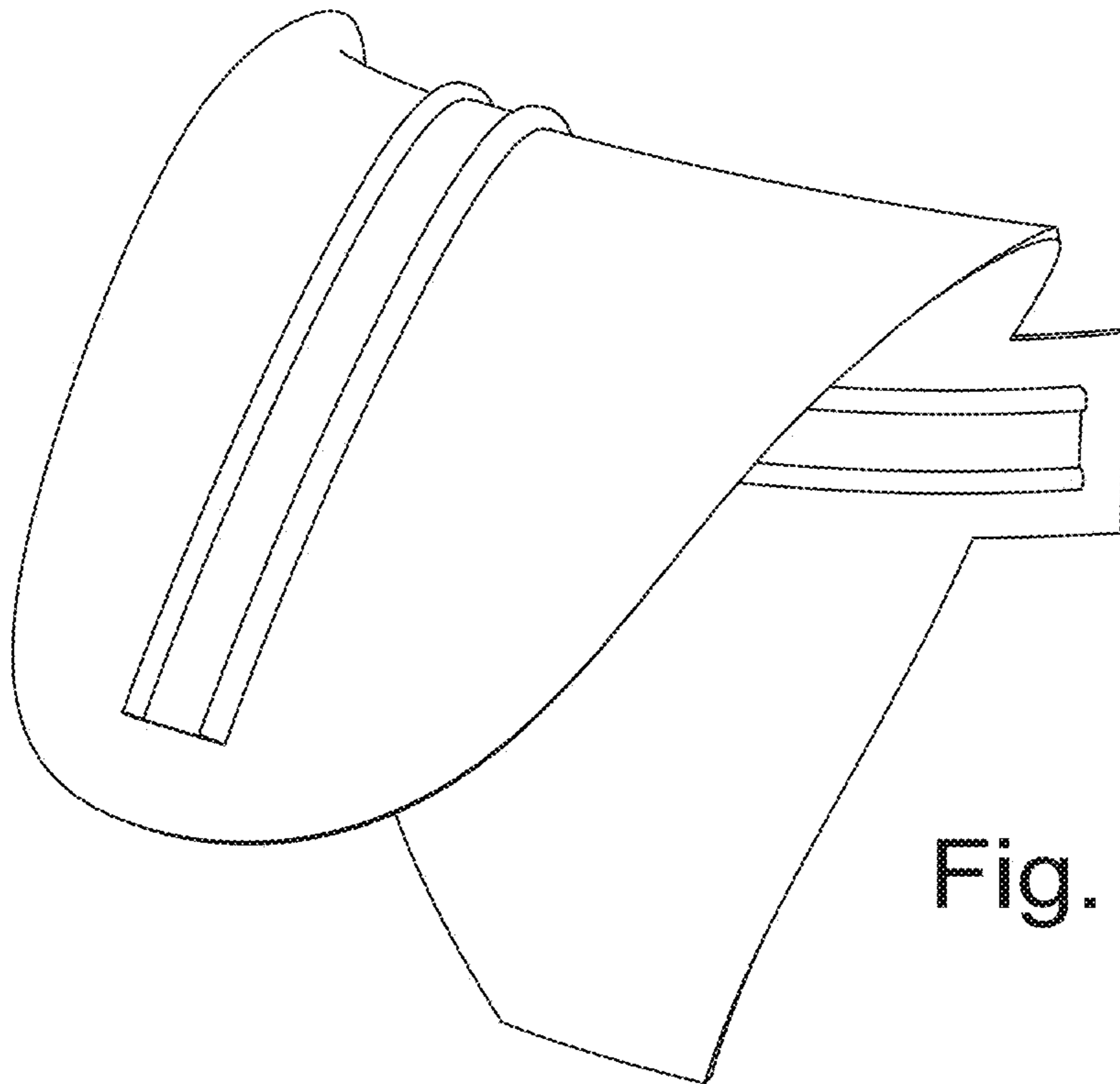


Fig. 2

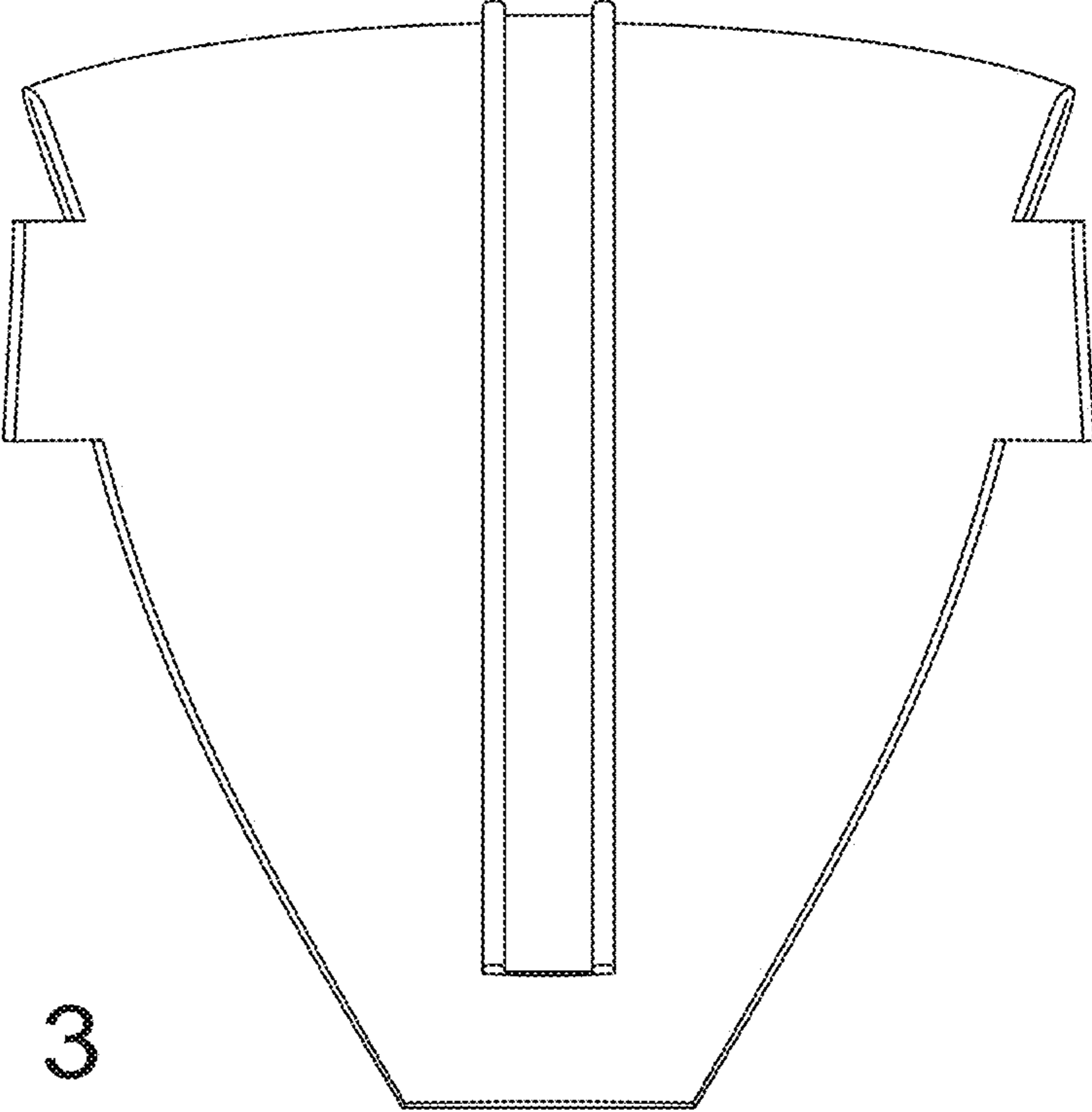


Fig. 3

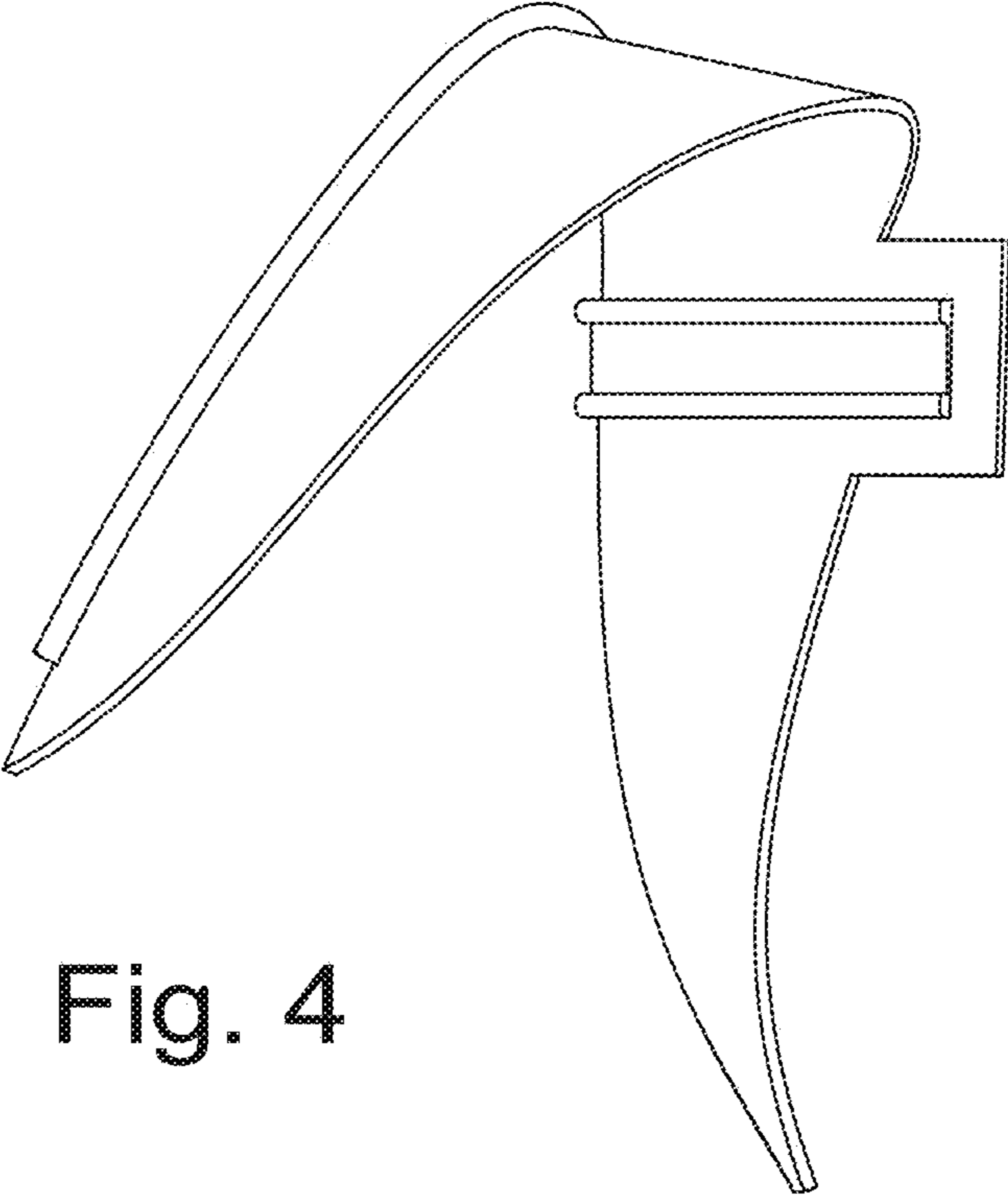


Fig. 4

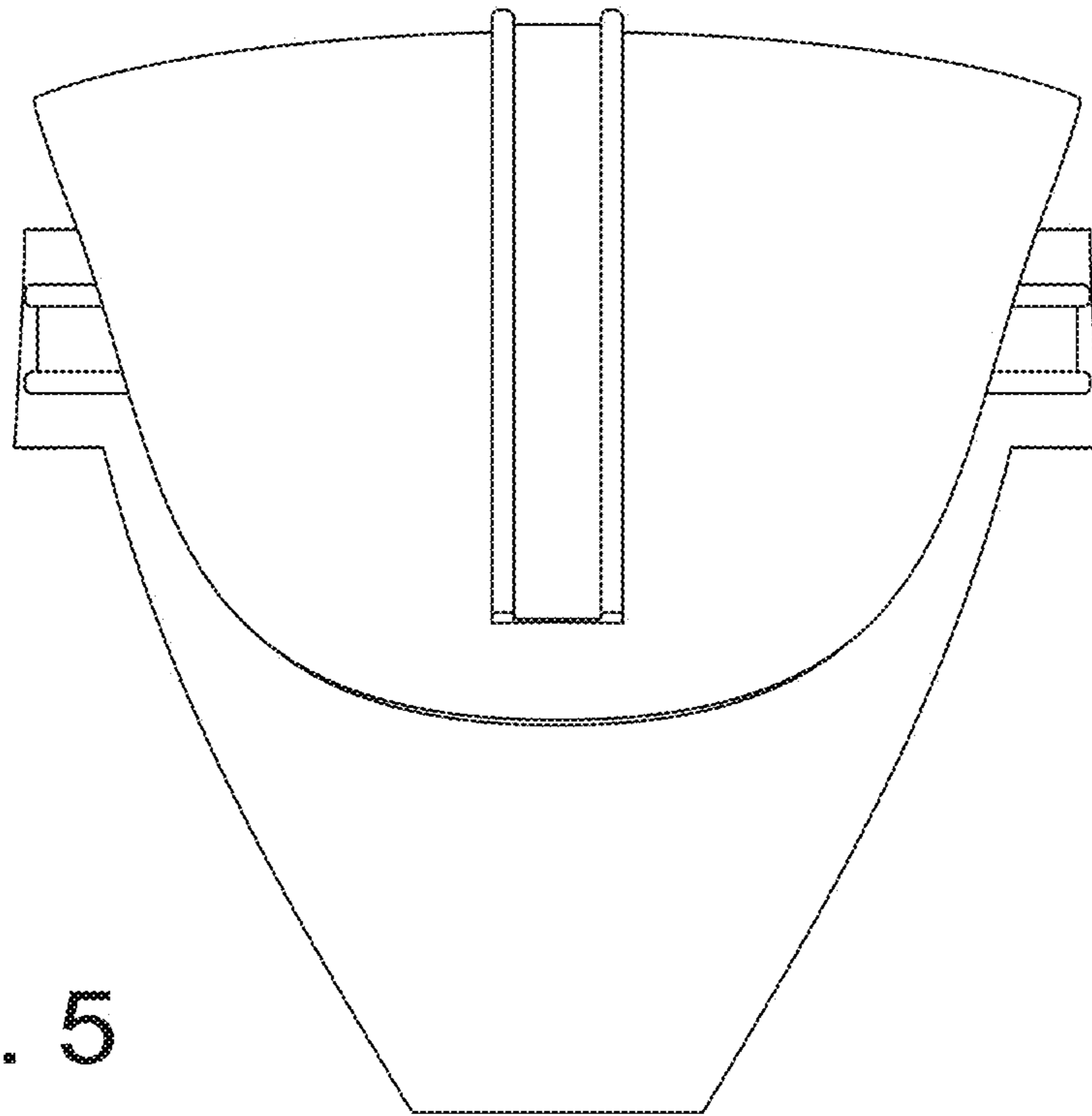


Fig. 5

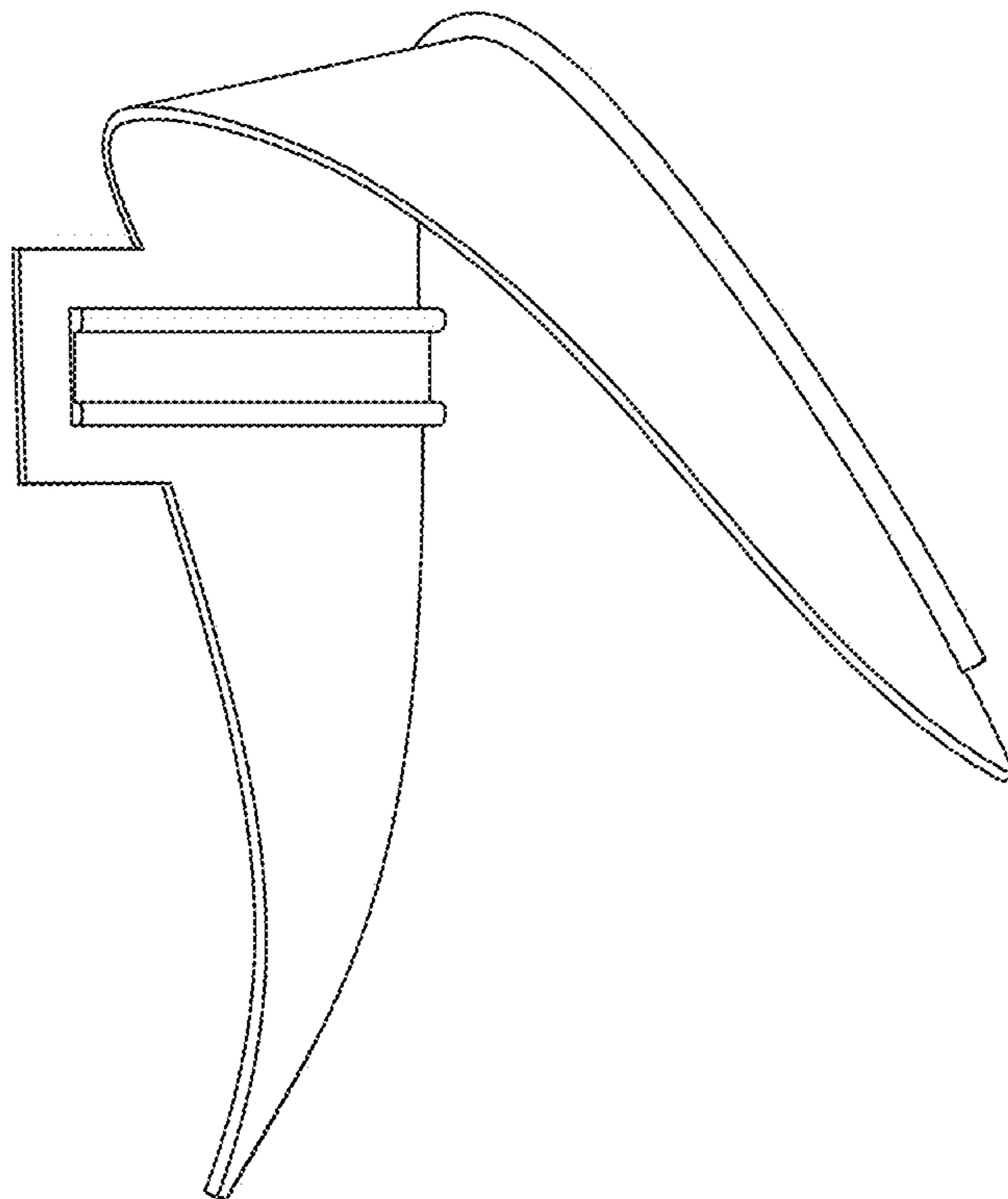


Fig. 6

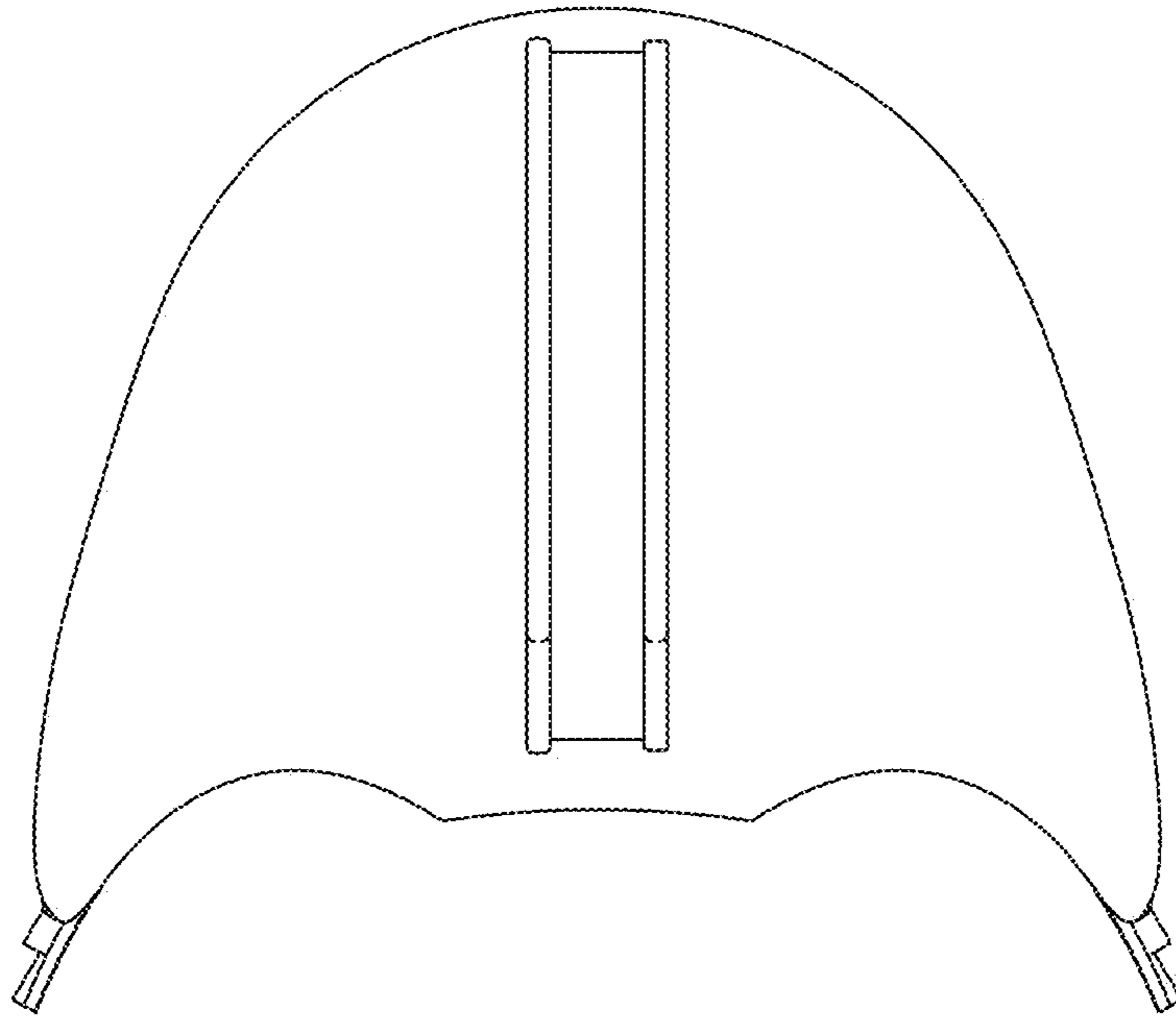


Fig. 7

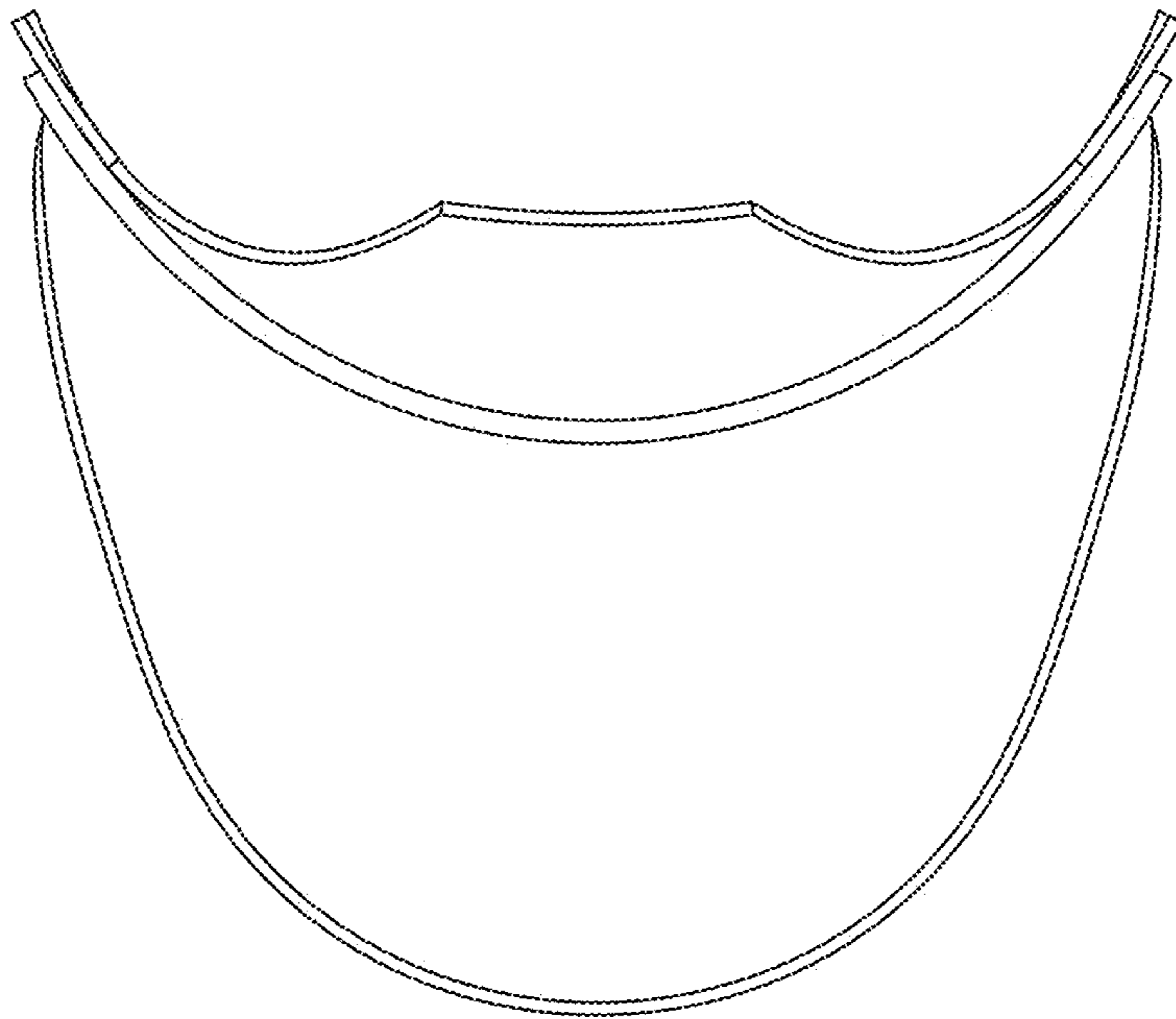


Fig. 8