



US00D961890S

(12) **United States Design Patent**
Walker

(10) **Patent No.:** **US D961,890 S**

(45) **Date of Patent:** **** *Aug. 30, 2022**

- (54) **BACKLESS BASEBALL CAP**
- (71) Applicant: **Adrienne Walker**, Marietta, GA (US)
- (72) Inventor: **Adrienne Walker**, Marietta, GA (US)
- (*) Notice: This patent is subject to a terminal disclaimer.
- (**) Term: **15 Years**
- (21) Appl. No.: **29/753,735**
- (22) Filed: **Oct. 1, 2020**
- (51) **LOC (13) Cl.** **02-03**
- (52) **U.S. Cl.**
USPC **D2/876**
- (58) **Field of Classification Search**
USPC D2/865, 866, 875, 876, 877, 878, 879,
D2/880, 881, 882, 883, 884, 885, 886,
D2/887, 888, 891, 893
CPC A42B 1/00; A42B 1/002; A42B 1/004;
A42B 1/006; A42B 1/02; A42B 1/201;
A42B 1/225; A42B 1/06; A42C 5/04
See application file for complete search history.

(56) **References Cited**

U.S. PATENT DOCUMENTS

- 1,563,611 A * 12/1925 Cohen A61F 9/045
2/12
- 4,628,543 A * 12/1986 Hunt A63B 71/143
2/161.1
- 5,325,540 A * 7/1994 Kronenberger A42B 7/00
2/209.3
- 7,024,702 B2 * 4/2006 Kronenberger A42B 1/22
2/209.3
- D525,414 S * 7/2006 Yan D2/876
- D539,012 S * 3/2007 Evans D2/876
- D632,875 S * 2/2011 Bischel D2/876
- D667,611 S * 9/2012 Nguyen D2/876
- D669,252 S * 10/2012 Rogers D2/882

- D682,513 S * 5/2013 House D2/876
- D891,734 S * 8/2020 Crowell
- D917,135 S * 4/2021 Hickenbotham D2/876
- D919,242 S * 5/2021 MacIlwaine D2/876
- D941,560 S * 1/2022 Lin D2/882
- 2003/0233696 A1 * 12/2003 Lee A42B 1/22
2/195.2
- 2008/0198579 A1 * 8/2008 Crye A42B 1/244
362/106
- 2012/0278970 A1 * 11/2012 Bischel A42B 1/225
2/183
- 2013/0074246 A1 * 3/2013 Rogers A42B 1/225
2/209.3

(Continued)

OTHER PUBLICATIONS

Fit by A.D. Facebook Photo, [online]; [photo published to the internet on Sep. 29, 2020]; [retrieved from the internet on Jan. 27, 2022]; URL: <https://www.facebook.com/fitbyad/photos/129880945490662/> . (1 page). (Year: 2020).*

(Continued)

Primary Examiner — Jasmine Mlinarcik
(74) *Attorney, Agent, or Firm* — Kearney, McWilliams & Davis, PLLC; William C. Yarbrough

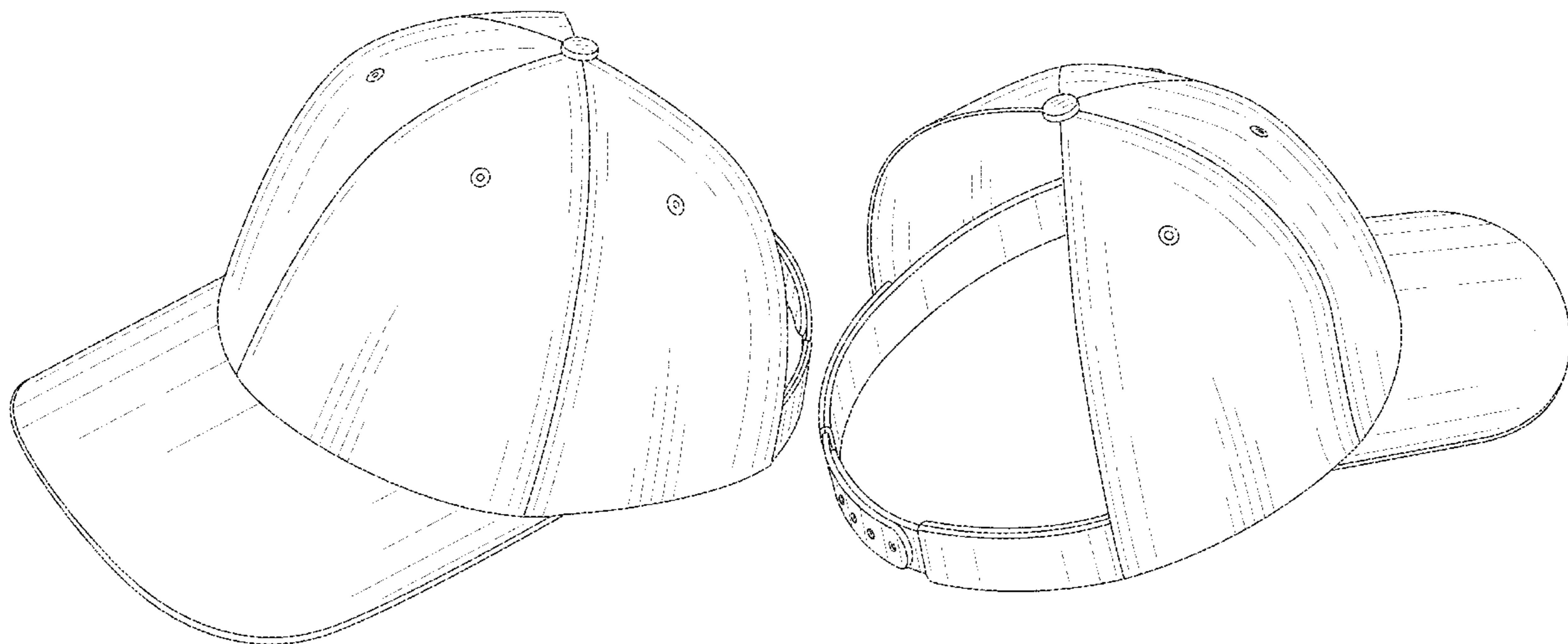
(57) **CLAIM**

The ornamental design for a backless ball cap, as shown and described.

DESCRIPTION

FIG. 1 is a front-side perspective view of a backless ball cap. FIG. 2 is a rear-side perspective view thereof. FIG. 3 is a front view thereof. FIG. 4 is a rear view thereof. FIG. 5 is a right-side view thereof. FIG. 6 is a left-side view thereof. FIG. 7 is a top view thereof; and, FIG. 8 is a bottom view thereof.

1 Claim, 7 Drawing Sheets



(56)

References Cited

U.S. PATENT DOCUMENTS

2018/0325200 A1* 11/2018 Tunison A42C 1/00

OTHER PUBLICATIONS

No luck finding Ivy Park Cap, Five Below Got Fitness Suff, [online video]; [video uploaded to the internet on Jan. 28, 2018]; [retrieved from the internet on Jan. 27, 2022]; URL: <https://www.youtube.com/watch?v=S14txj8UNpo>. (1 page). (Year: 2018).*

CurlCap Natural Hair Backless Cap . . . [online]; [date first available to the internet on Oct. 12, 2020]; [retrieved from the internet on Jan. 27, 2022]; URL: https://www.amazon.com/CurlCap-Natural-Hair-Backless-Cap/dp/B09MMN9W6W/ref=sr_1_3?keywords=CurlCap&qid=1643292106&sr=8-3&th=1. (3 pages). (Year: 2020).*

* cited by examiner

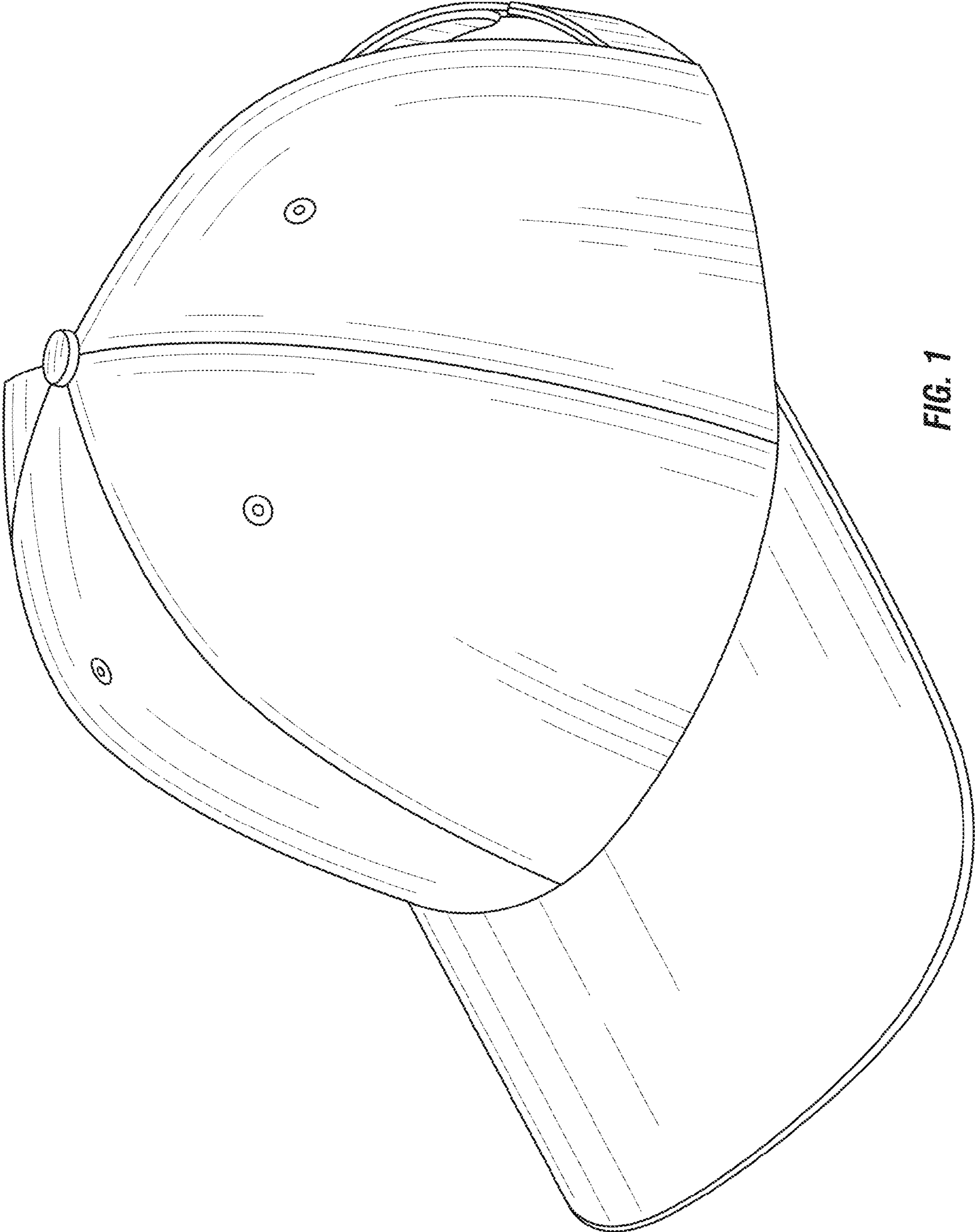


FIG. 1

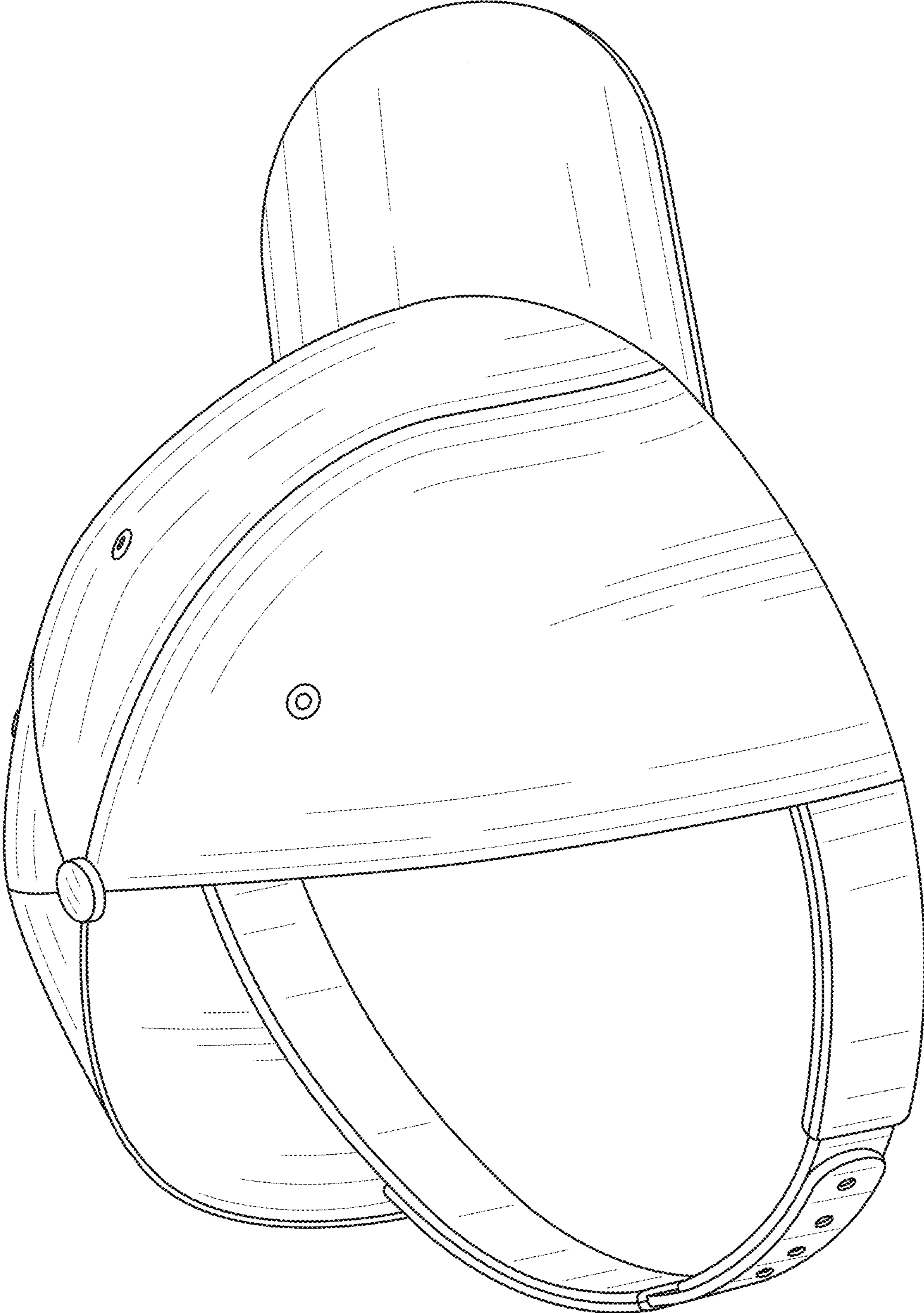


FIG. 2

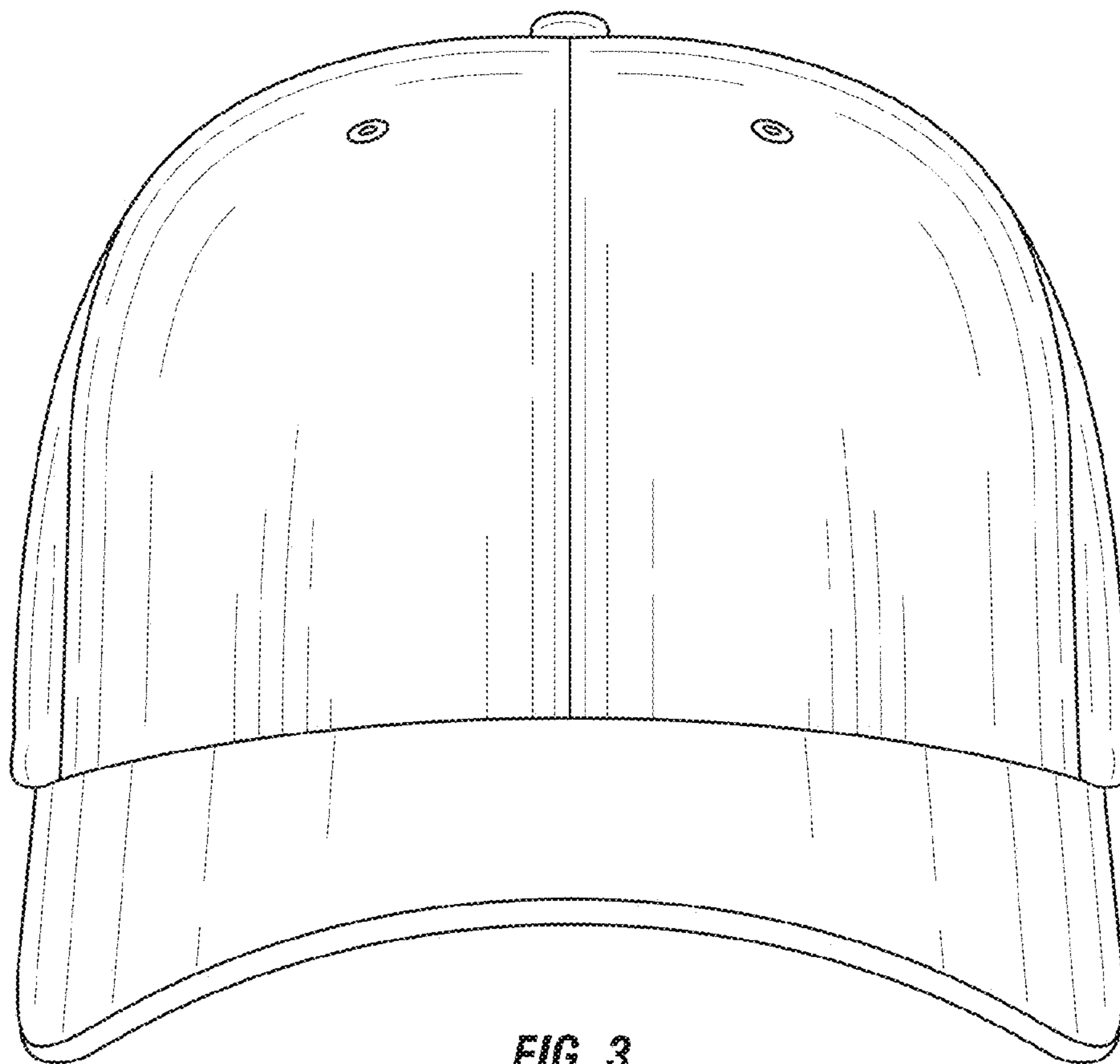


FIG. 3

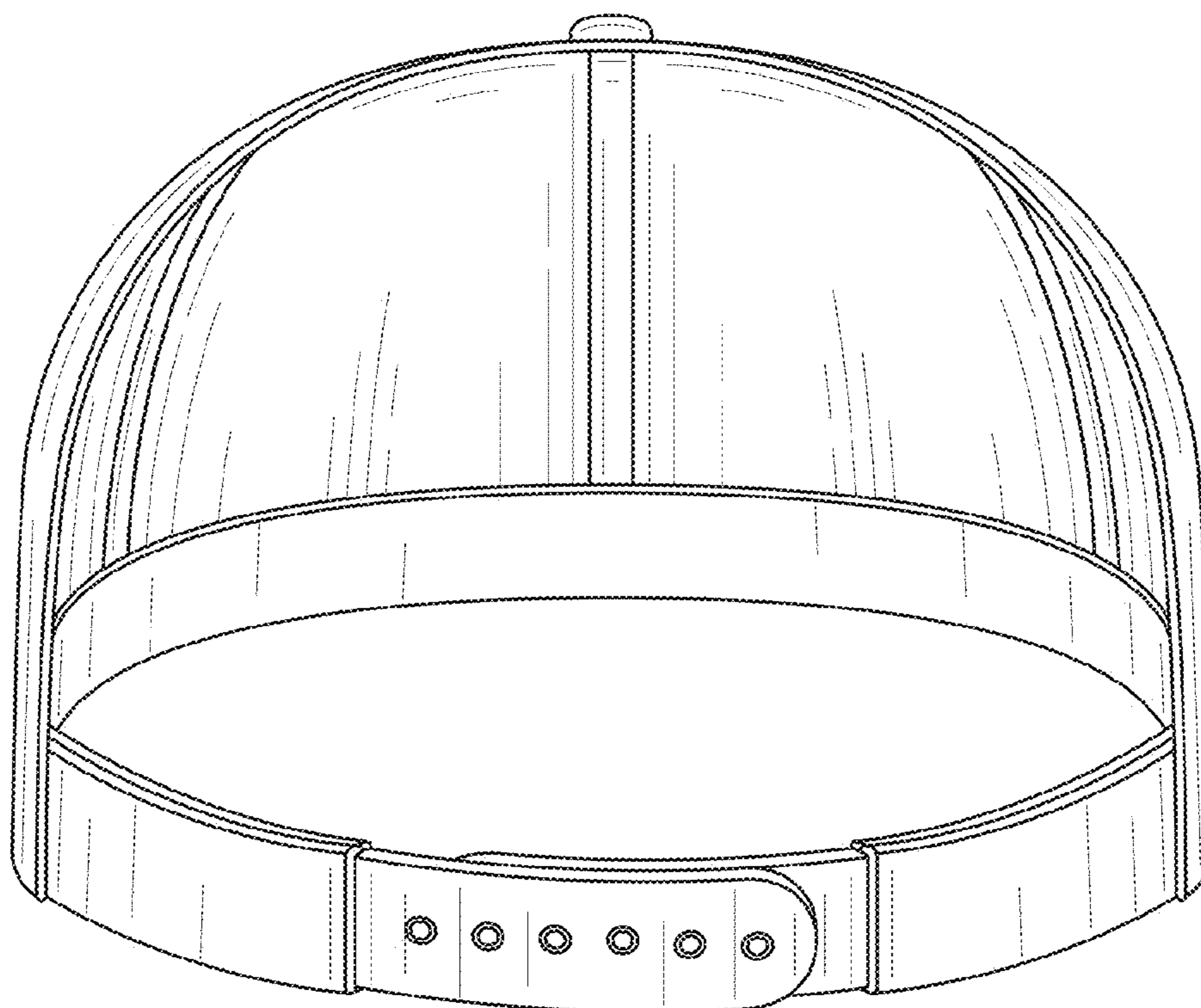


FIG. 4

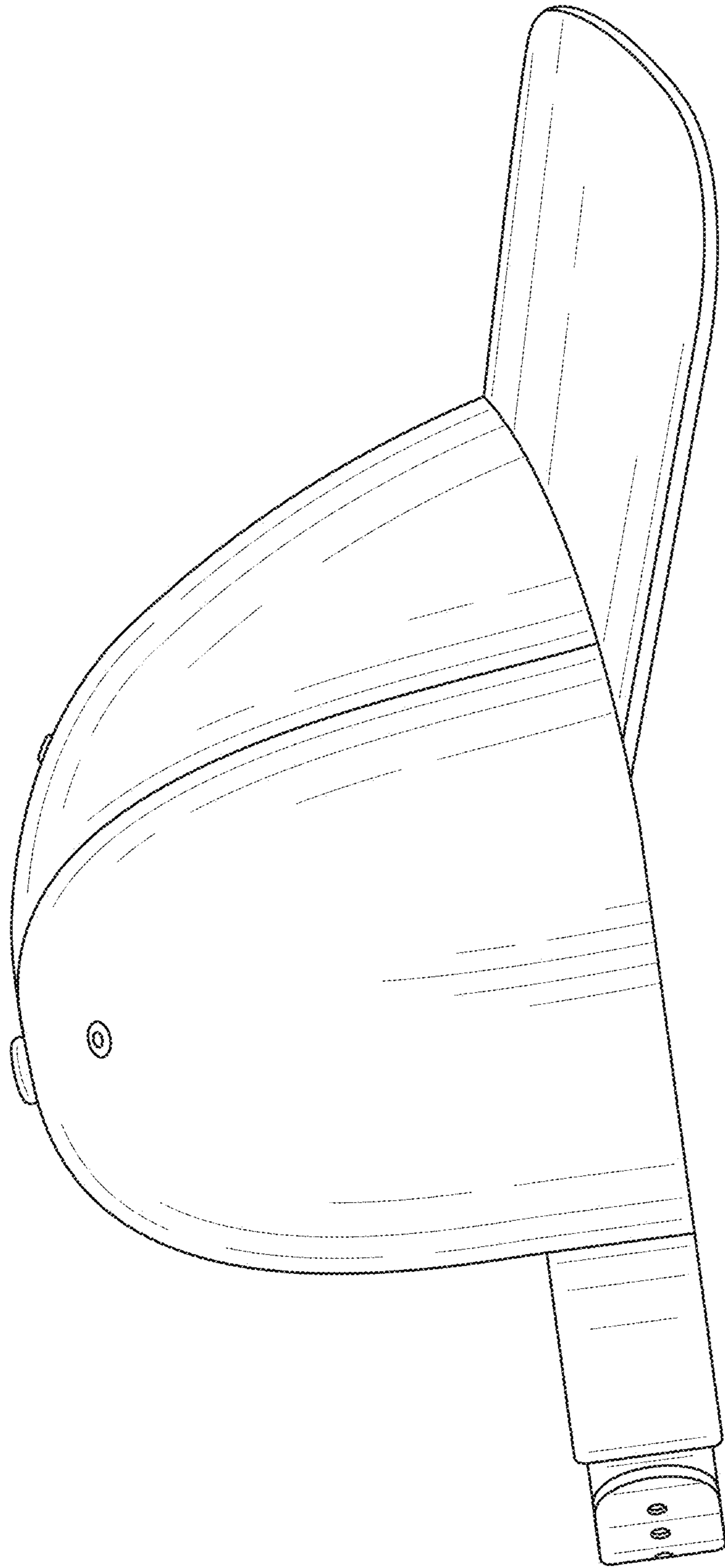


FIG. 5

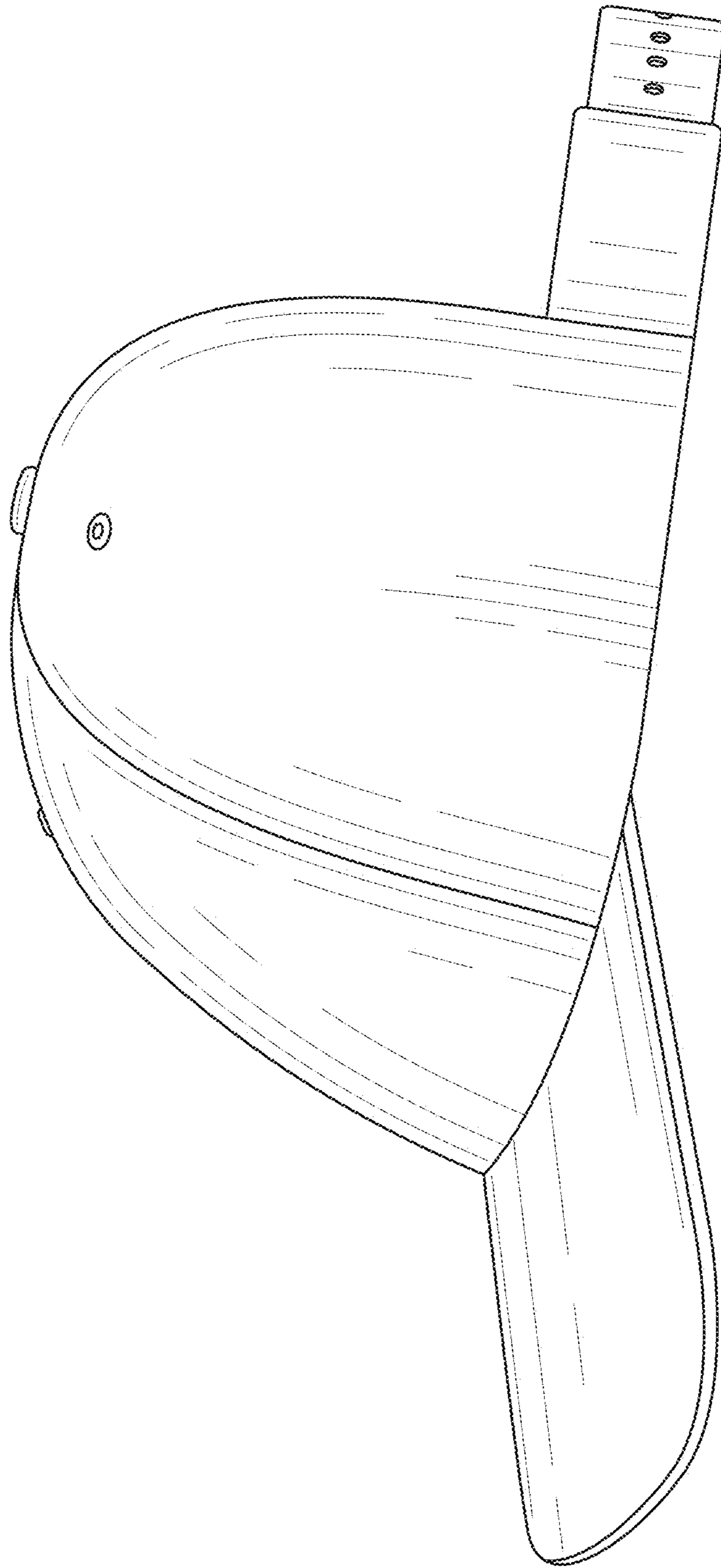


FIG. 6

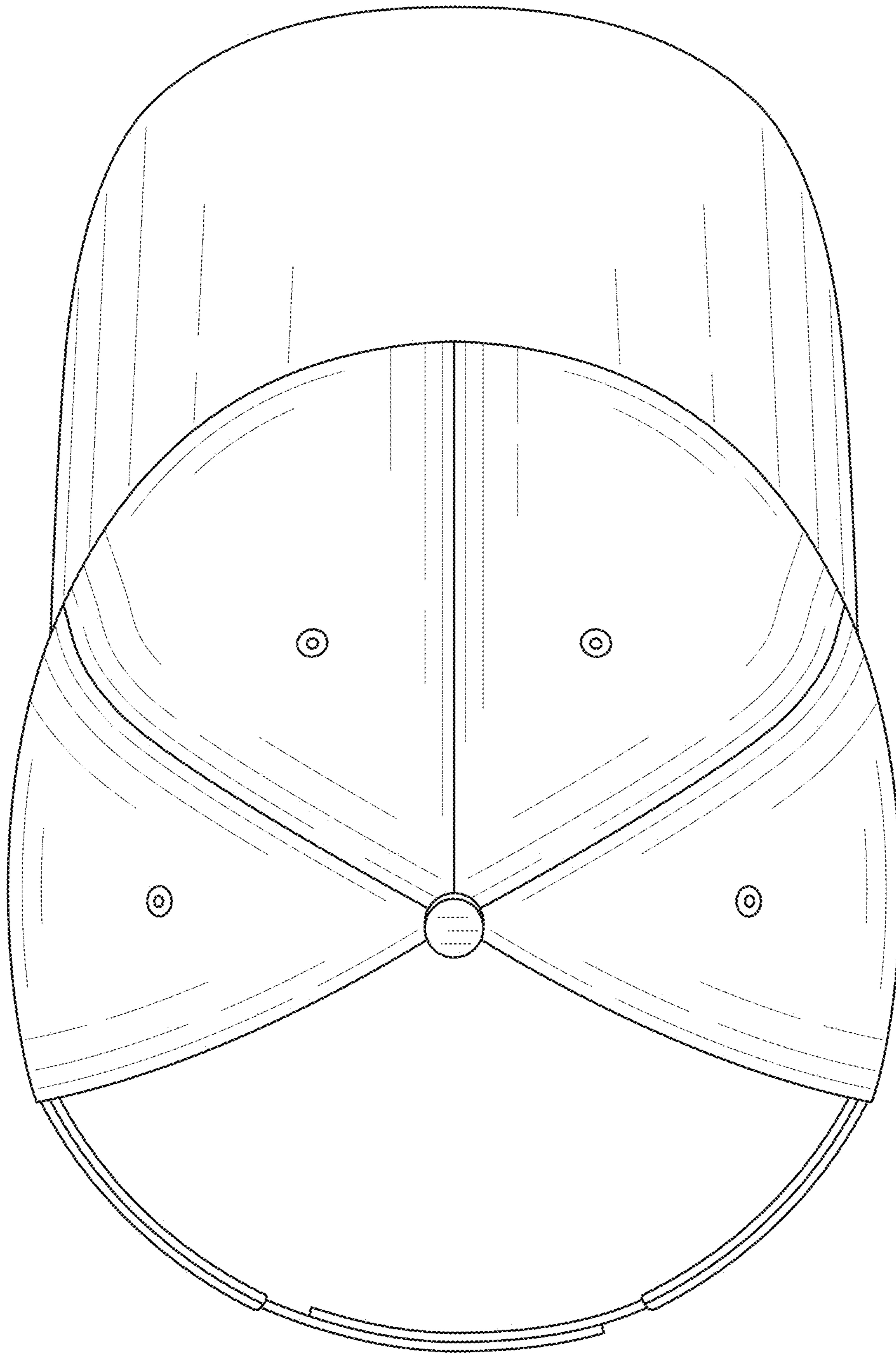


FIG. 7

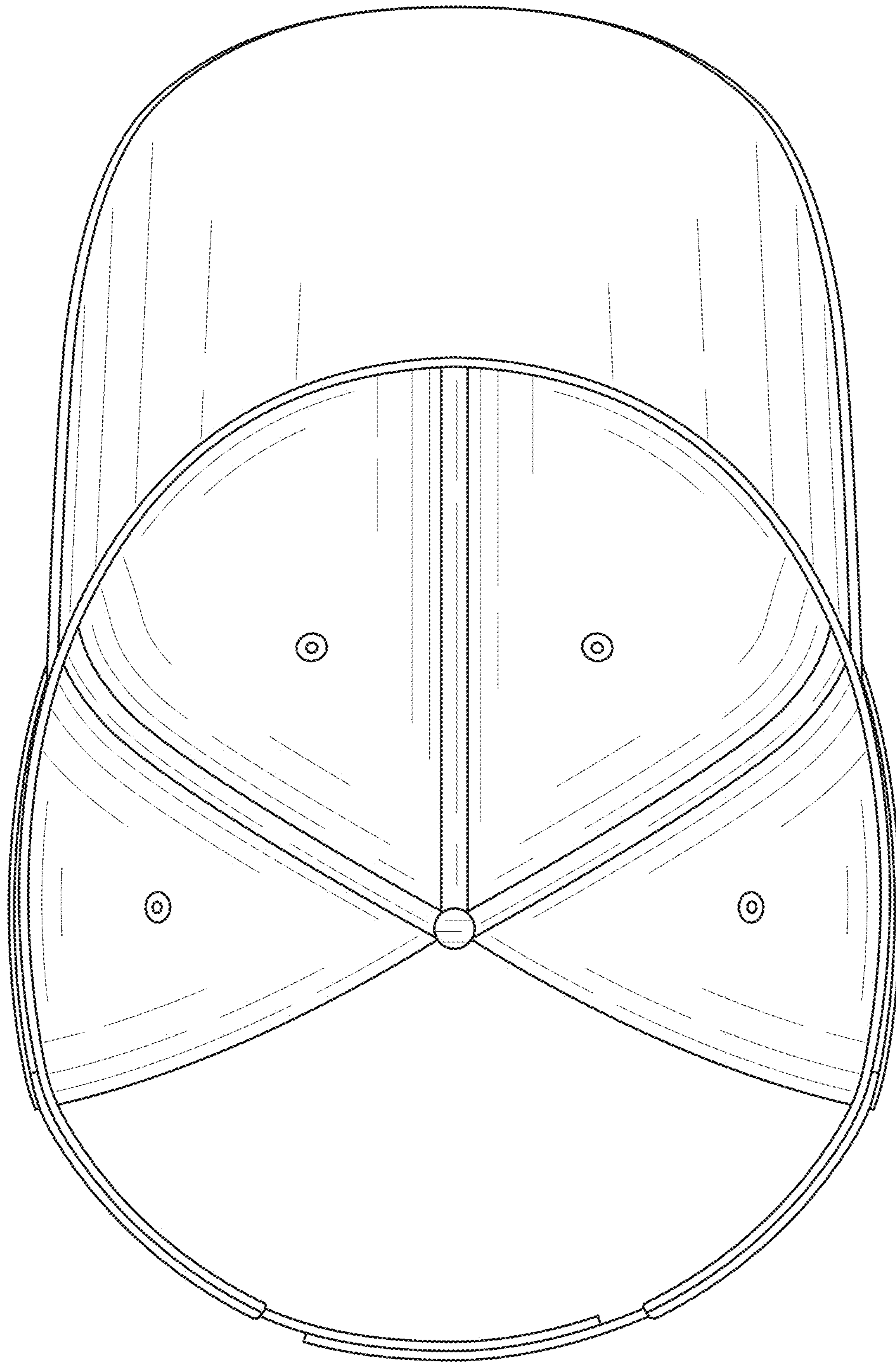


FIG. 8