



US00D961888S

(12) **United States Design Patent**
Benoiel

(10) **Patent No.:** **US D961,888 S**

(45) **Date of Patent:** **** Aug. 30, 2022**

(54) **VEST**

(71) Applicant: **Aduro Products, LLC**, Metuchen, NJ (US)

(72) Inventor: **Izzy Benoiel**, Brooklyn, NY (US)

(73) Assignee: **ADURO PRODUCTS, LLC**, Metuchen, NJ (US)

(**) Term: **15 Years**

(21) Appl. No.: **29/756,785**

(22) Filed: **Oct. 30, 2020**

(51) **LOC (13) Cl.** **02-02**

(52) **U.S. Cl.**
USPC **D2/829**

(58) **Field of Classification Search**
USPC D2/828-830, 750; D29/101.4; D3/260, D3/216; D22/134
CPC A41D 13/0012; A41D 1/04; A41D 2600/106; A45F 4/00; Y10S 224/92
See application file for complete search history.

(56) **References Cited**

U.S. PATENT DOCUMENTS

D729,499 S *	5/2015	Christenson	D2/864
D802,885 S *	11/2017	DeWeever	D2/829
D899,028 S *	10/2020	Thatcher	D2/750
D930,909 S *	9/2021	Gough	D2/829
D940,772 S *	1/2022	Shin	D15/199
D940,798 S *	1/2022	Coughlan	A63B 21/4005 D21/683

OTHER PUBLICATIONS

MT Military Tactical Assault Vest with MOLLE Pouches, posted Oct. 31, 2020 [online], (retrieved Jun. 24, 2022). Retrieved from the internet, https://www.amazon.com/dp/B08MBY4KKC/ref=sspa_dk_detail_3?psc=1&pd_rd_i=B08MBY4KKC&pd_rd_w=jjtLW&content-id=amzn1.sym.3be1c5b9-%E2%80%A65/9 (Year: 2020).*

VISMIX Multicam Tactical Vest, posted Jun. 2, 2020 [online], (retrieved Jun. 24, 2022). Retrieved from the internet, https://www.amazon.com/dp/B089K2FNBV/ref=syn_sd_onsite_desktop_33?psc=1 (Year: 2020).*
Phone. Flask. Vest V1.0, reviewed as early as 2019 [online], (retrieved Jun. 30, 2022). Retrieved from the internet, <https://www.orangemud.com/products/phone-flask-vest-ideal-for-running-and-riding-less-than-2-hours-shoulder-clothing> (Year: 2019).*
Men Reflective Zipper Front Chest Bag, reviewed as early as 2019 [online], (retrieved Jun. 30, 2022). Retrieved from the internet, https://us.shein.com/Men-Reflective-Zipper-Front-Chest-Bag-p-1502258-cat-2148.html?url_from=adplasmabag18200812527_GPM&cid=15534601883&setid=&adid=&pf=GOOGLE&gclid=CjwKCAjwk_WVBhBZEIwAUHQcmTHPfaGgQUdQ-Kt4mwh-B_IJVCmDyxpnQzS5IGVNRsRGiCk3XYTFVBoCw74QAvD_BwE (Year: 2020).*

(Continued)

Primary Examiner — Kevin K Rudzinski

Assistant Examiner — J. Thorn, Sr.

(74) *Attorney, Agent, or Firm* — Squire Patton Boggs (US) LLP

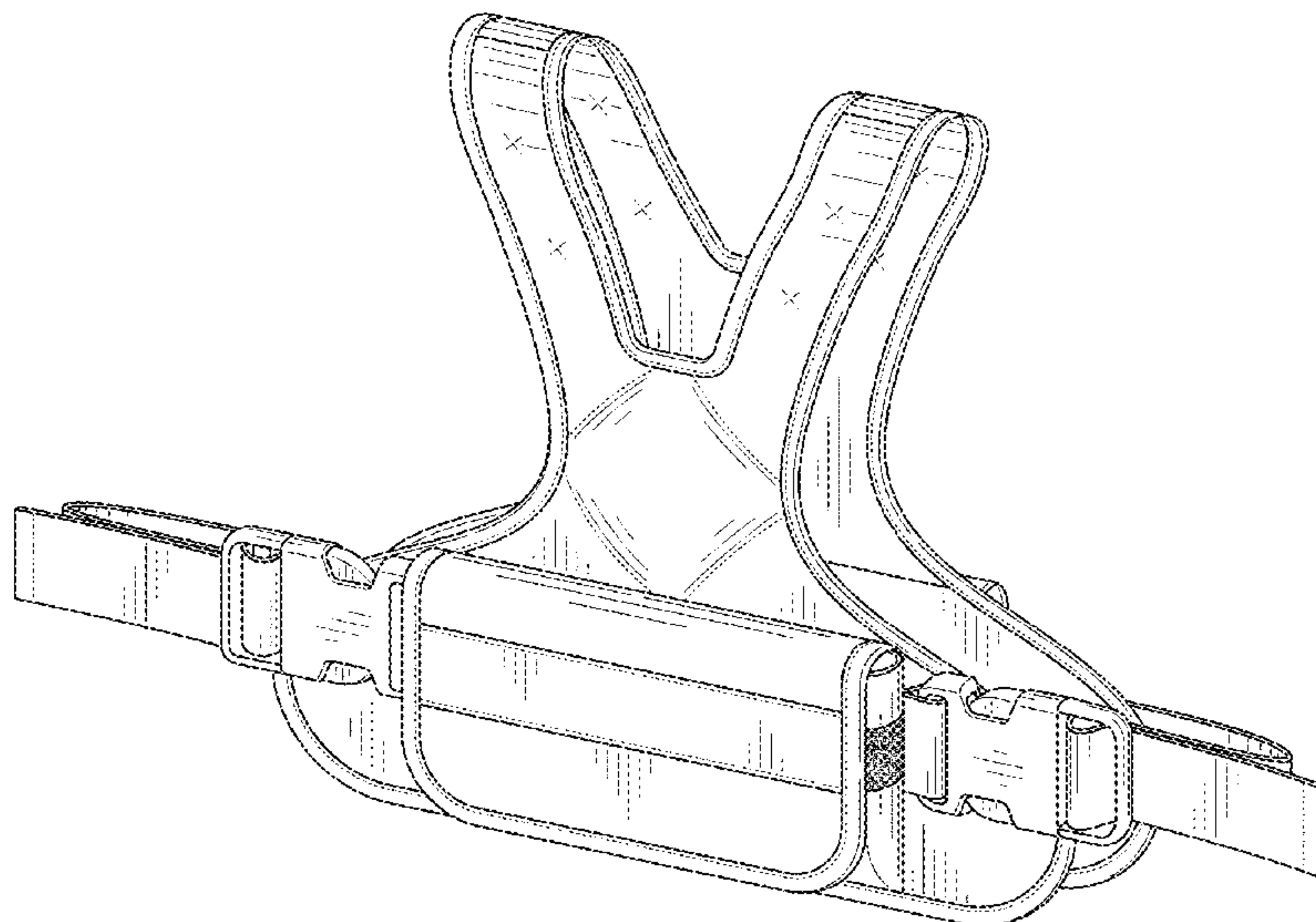
(57) **CLAIM**

The ornamental design for a vest, as shown and described.

DESCRIPTION

FIG. 1 is a perspective view of a vest;
FIG. 2 is a front view of the vest;
FIG. 3 is a front view of the vest with a front flap open;
FIG. 4 is a rear view of the vest;
FIG. 5 is a rear view of the vest with a rear flap open;
FIG. 6 is a bottom view of the vest;
FIG. 7 is a left side view of the vest;
FIG. 8 is a top view of the vest;
FIG. 9 is a right side view of the vest;
FIG. 10 is a front view of the vest in an open state; and,
FIG. 11 is a rear view of the vest in an open state.
Broken lines show portions of the vest that form no part of the claimed design.

1 Claim, 11 Drawing Sheets



(56)

References Cited

OTHER PUBLICATIONS

Klykon Chest Bag for Men, posted Mar. 14, 2020 [online], (retrieved Jun. 24, 2022). Retrieved from the internet, <https://www.amazon.com/Klykon-Fashion-Harness-Reflective-Exercise/dp/B08618M8DB> (Year: 2020).*

* cited by examiner

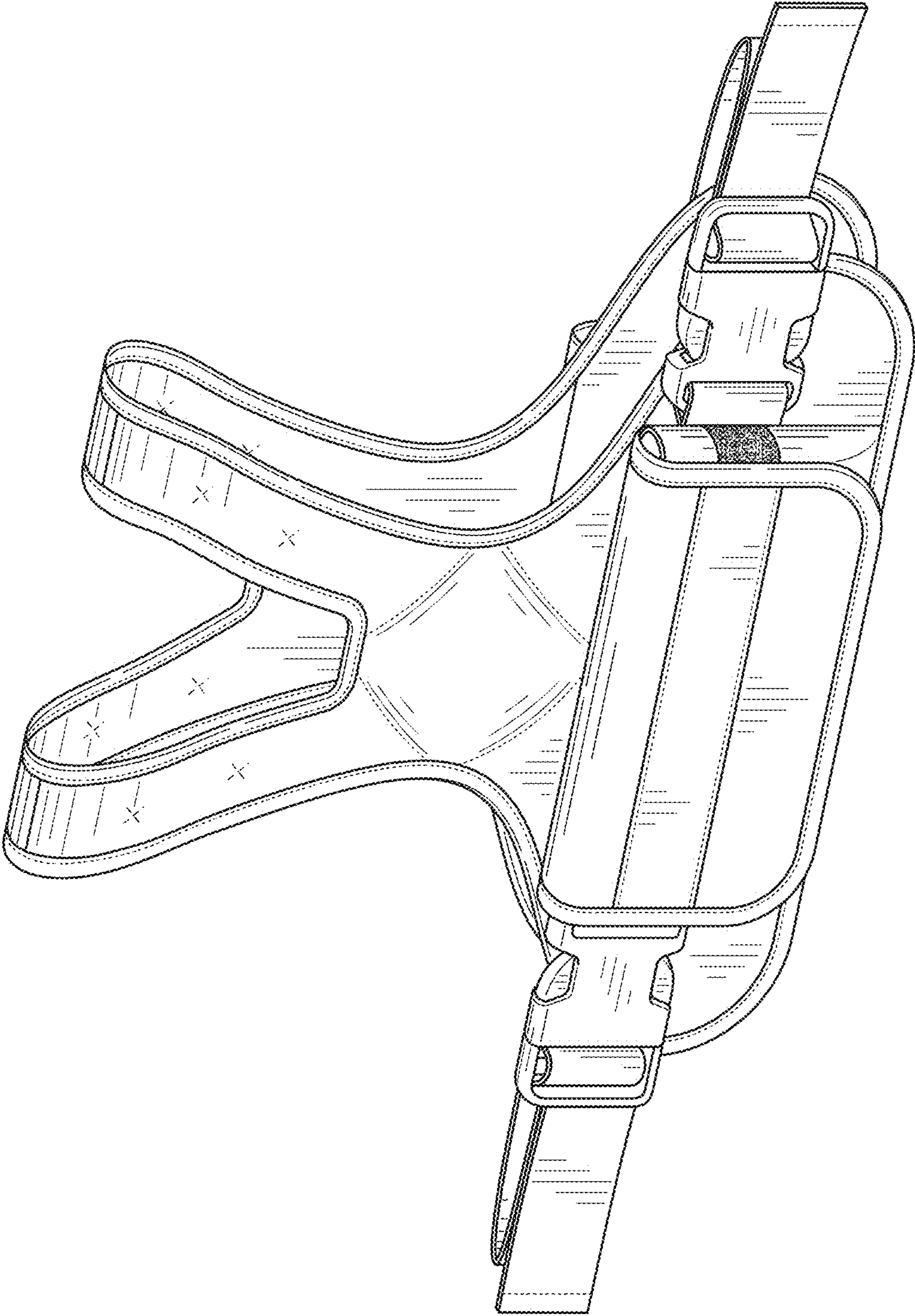


FIG.1

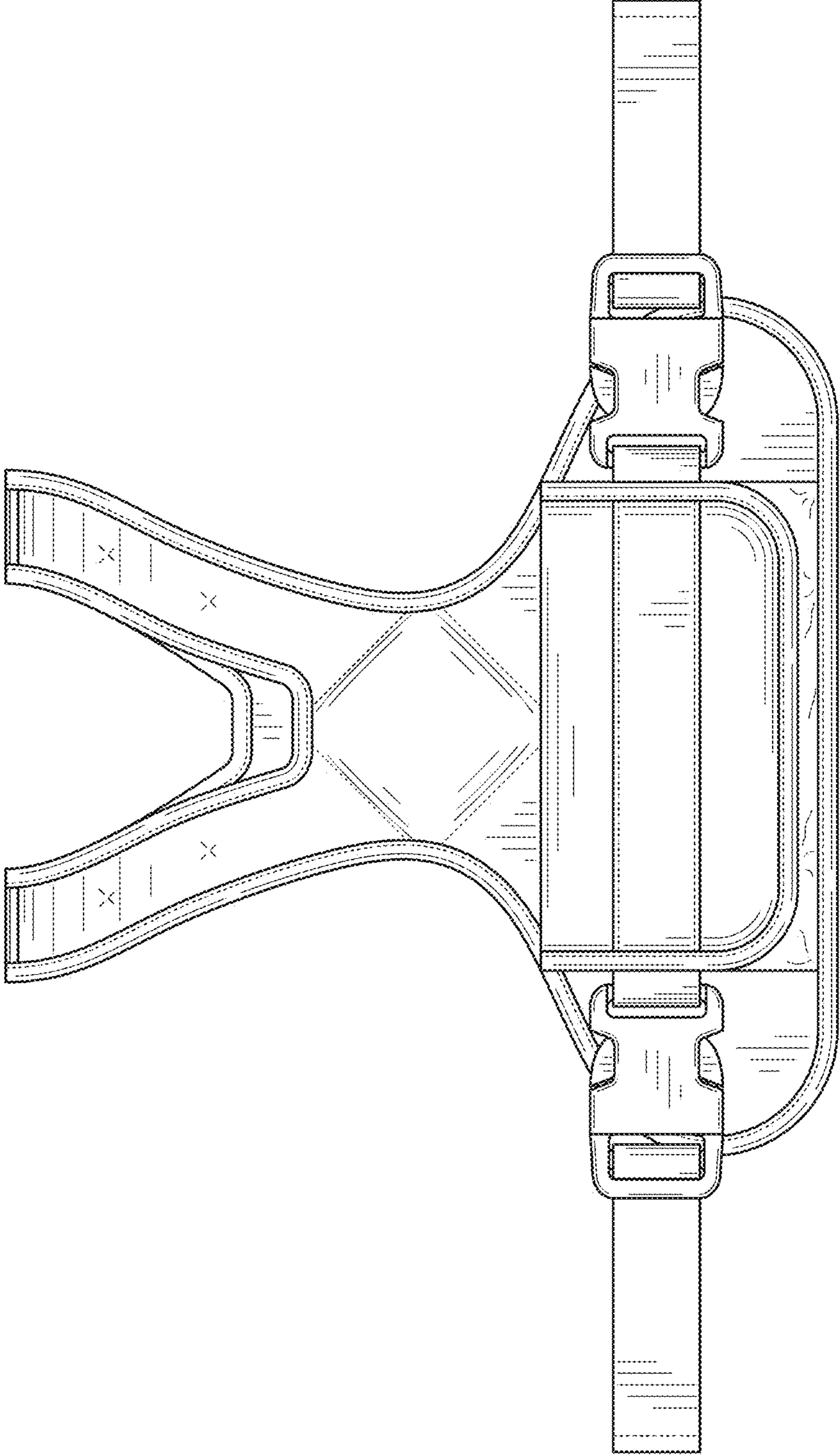


FIG. 2

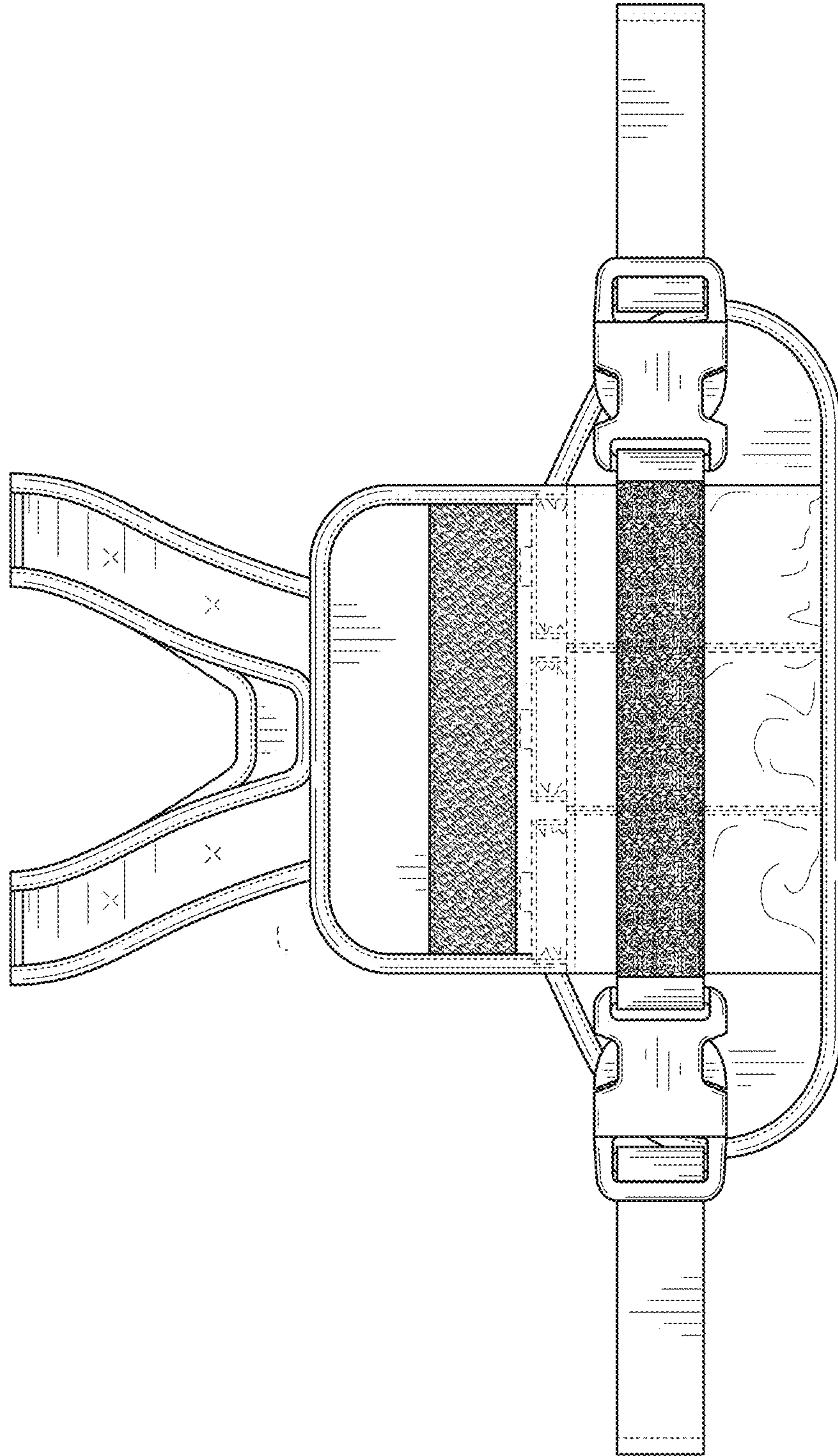


FIG. 3

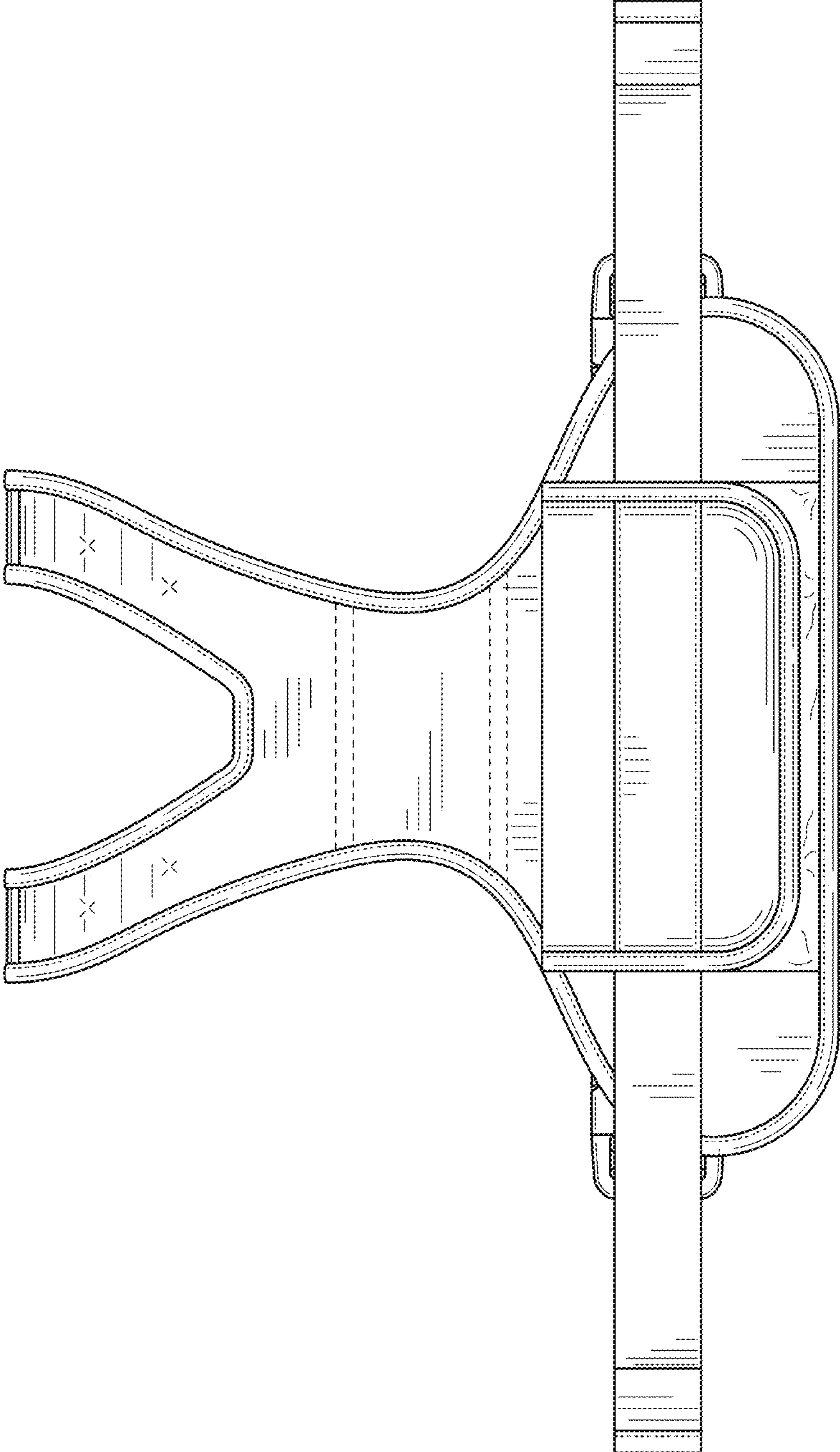


FIG. 4

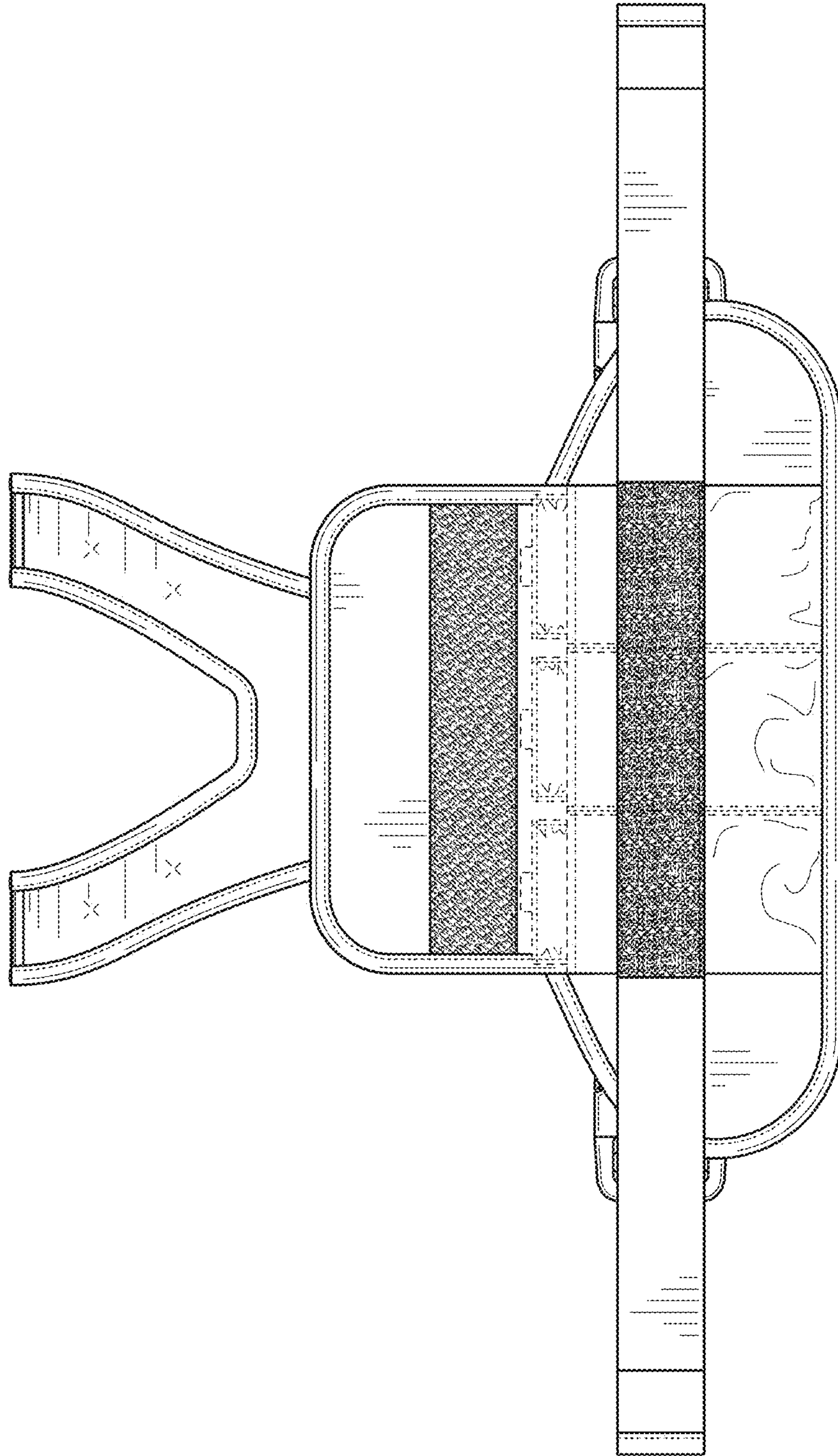


FIG. 5

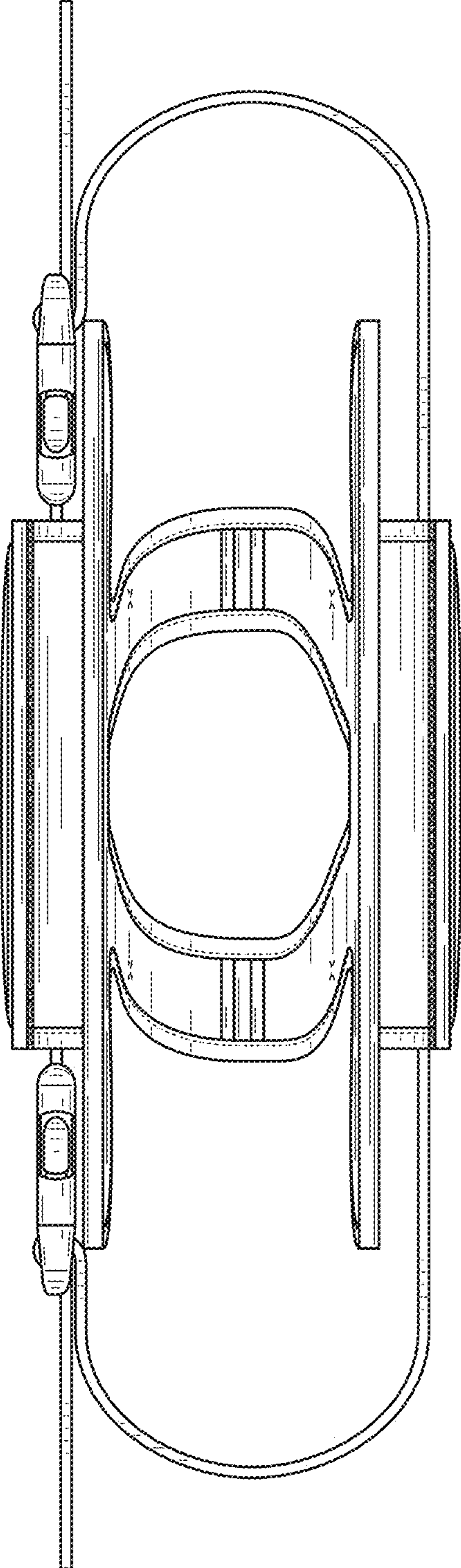


FIG. 6

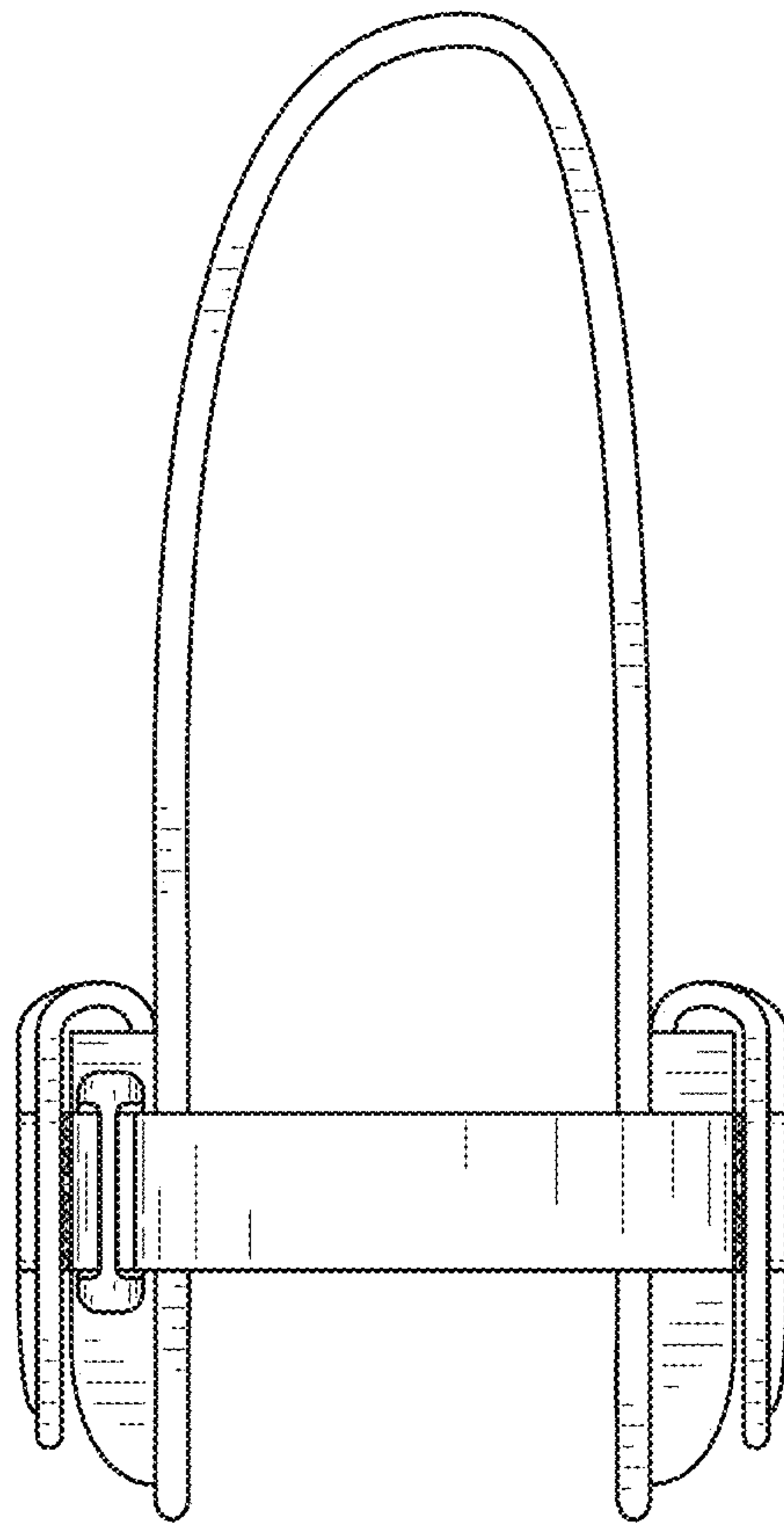


FIG. 7

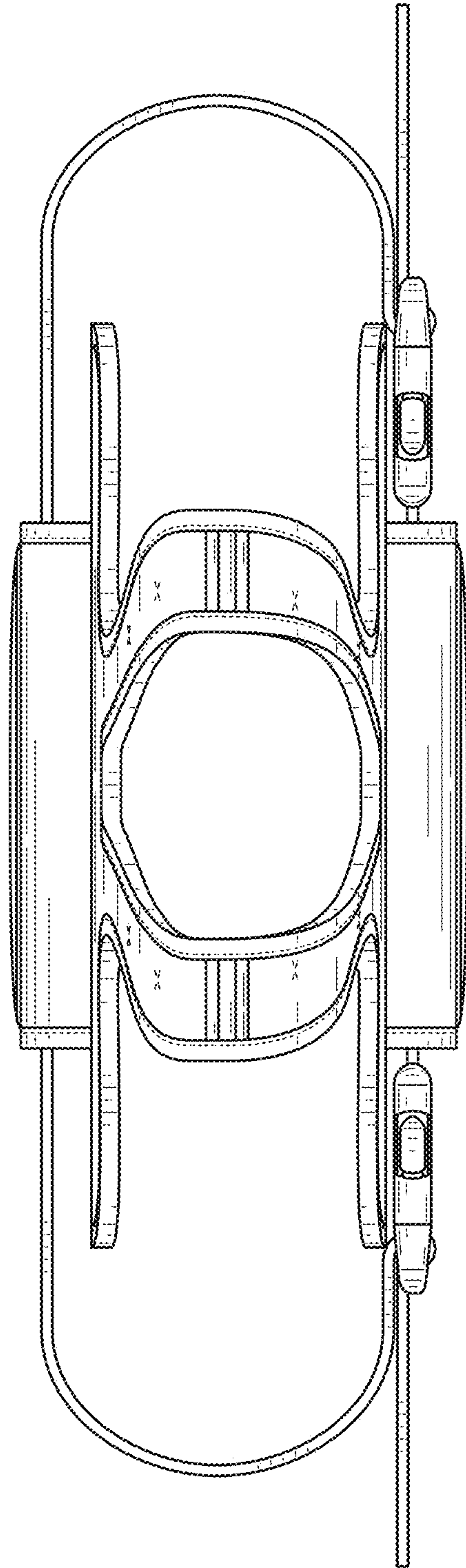


FIG. 8

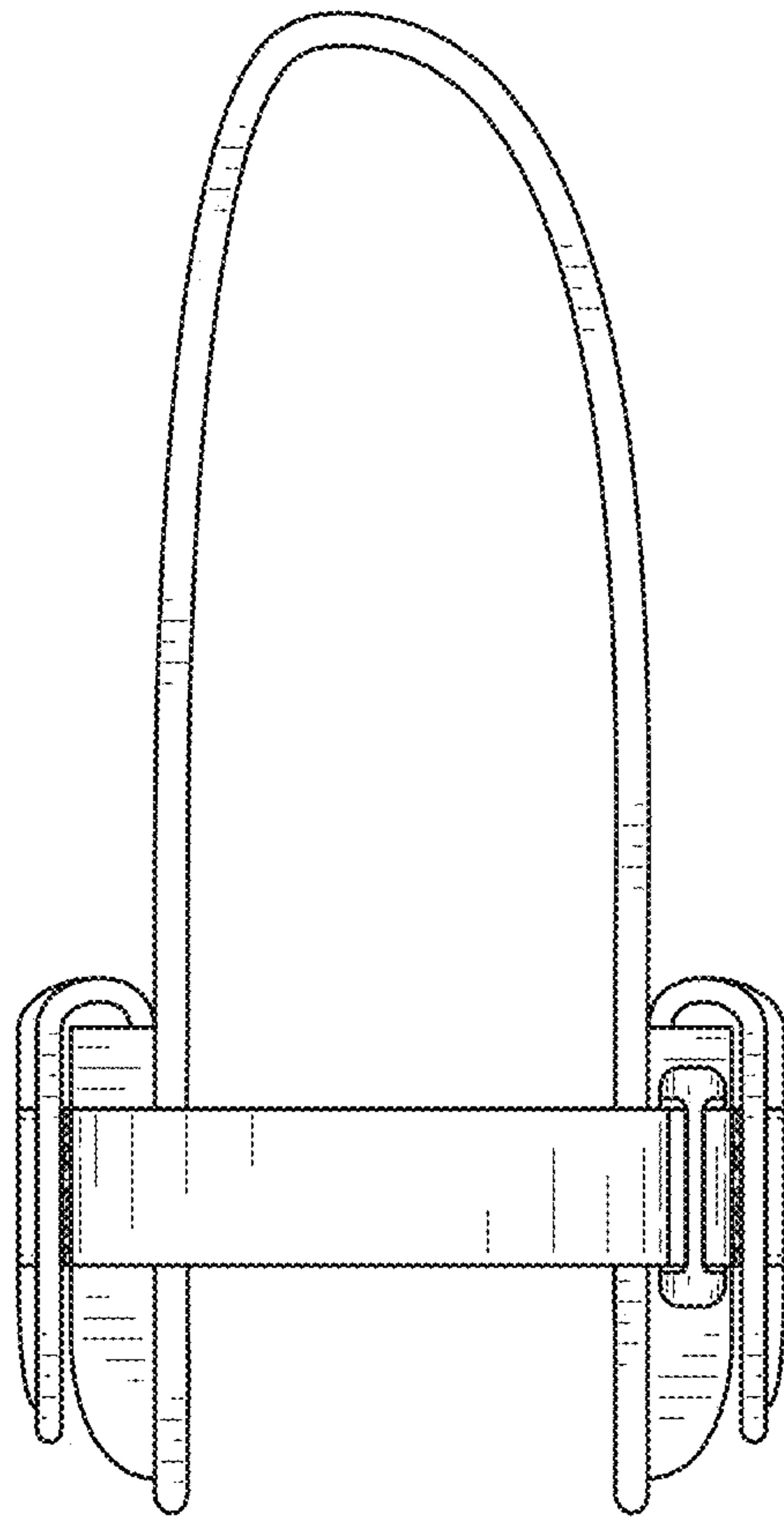


FIG. 9

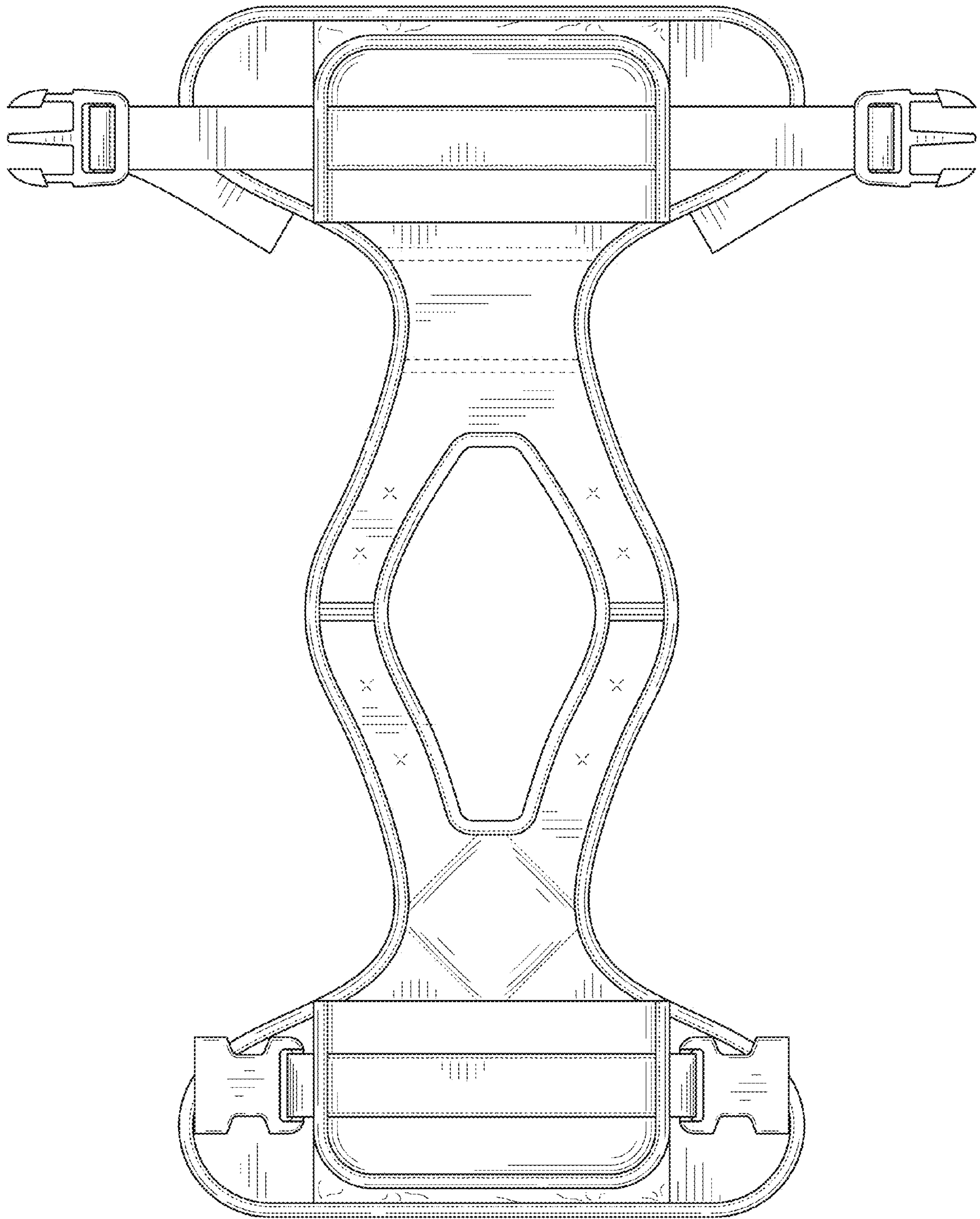


FIG. 10

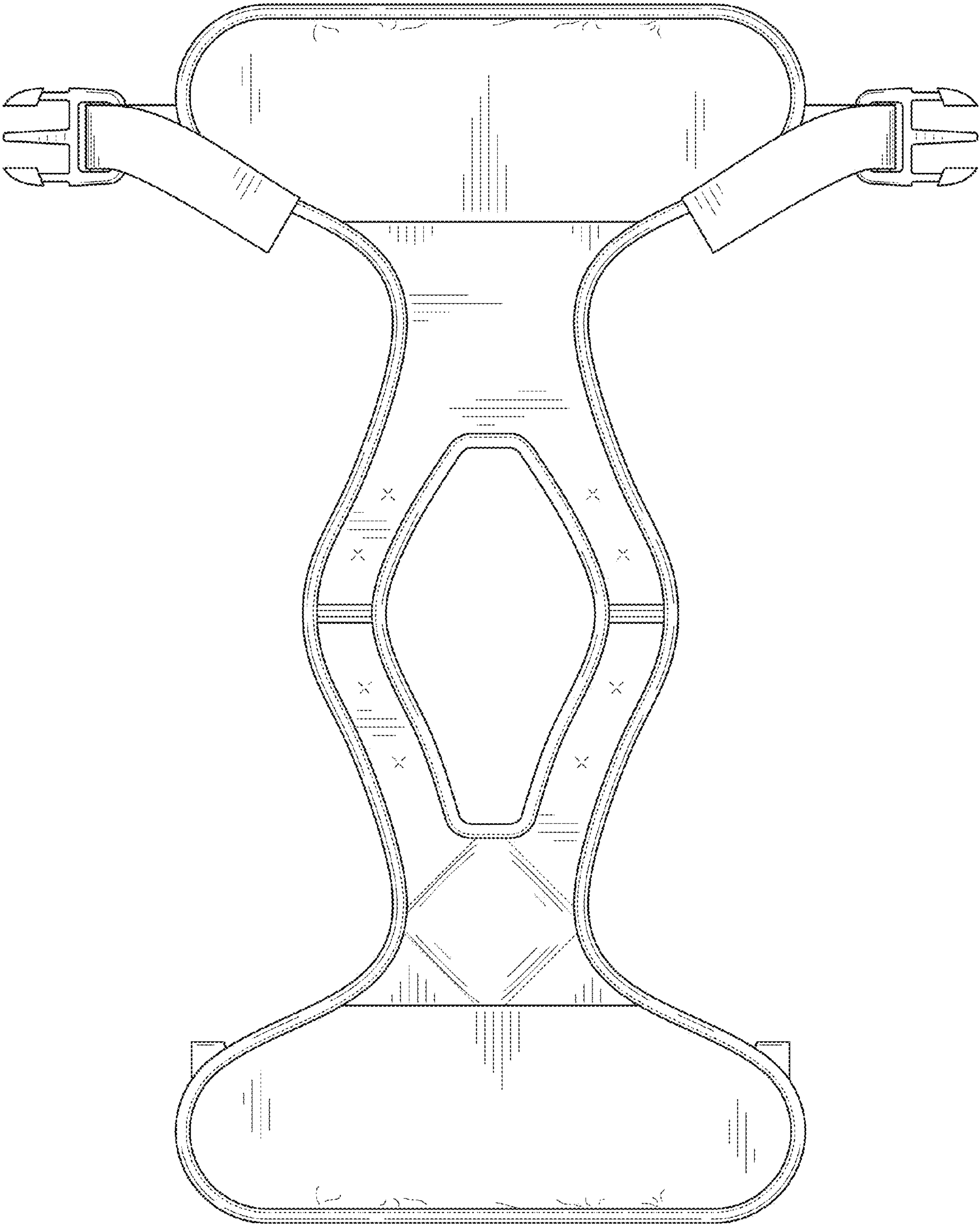


FIG. 11