

US00D961886S

(12) **United States Design Patent** (10) **Patent No.:** **US D961,886 S**  
**Barney et al.** (45) **Date of Patent:** **\*\* Aug. 30, 2022**

(54) **CANDY**  
(71) Applicant: **R&B INNOVATIONS LLC**, Liberty Lake, WA (US)  
(72) Inventors: **Rhett Vance Barney**, Liberty Lake, WA (US); **Chad Taylor Robinson**, Folsom, CA (US); **Alin Zanfirescu**, Liberty Lake, WA (US)

A23G 4/12; A23G 4/18; A23G 7/0006; A23G 7/0056; A23G 7/0093; A23G 7/02; A23G 9/04; A23G 9/12; A23G 9/20; A23G 9/222; A23G 9/224; A23G 9/227; A23G 9/228; A23G 9/245; A23G 9/288; A23G 9/30; A23G 9/325; A23G 9/38; A23G 9/48

See application file for complete search history.

(73) Assignee: **R&B Innovations LLC**, Liberty Lake, WA (US)

(56) **References Cited**

U.S. PATENT DOCUMENTS

D62,611 S \* 7/1923 Hochstraser ..... D1/104  
D327,154 S \* 6/1992 Raimbert ..... D1/107  
(Continued)

(\*\*) Term: **15 Years**

(21) Appl. No.: **35/001,895**

(22) Filed: **Jul. 29, 2020**

OTHER PUBLICATIONS

Israel Office Action dated Feb. 17, 2021 for Israel Design Application No. DM/210,882, a counterpart for Hague Design U.S. Appl. No. 35/001,895, 6 pages.

(Continued)

(80) **Hague Agreement Data**

Int. Filing Date: **Jul. 29, 2020**  
Int. Reg. No.: **DM/210882**  
Int. Reg. Date: **Jul. 29, 2020**  
Int. Reg. Pub. Date: **Jan. 29, 2021**

*Primary Examiner* — Khawaja Anwar  
(74) *Attorney, Agent, or Firm* — Lee & Hayes, P.C.

(51) **LOC (13) Cl.** ..... **01-01**

(52) **U.S. Cl.**  
USPC ..... **D1/109**

(57) **CLAIM**

(58) **Field of Classification Search**

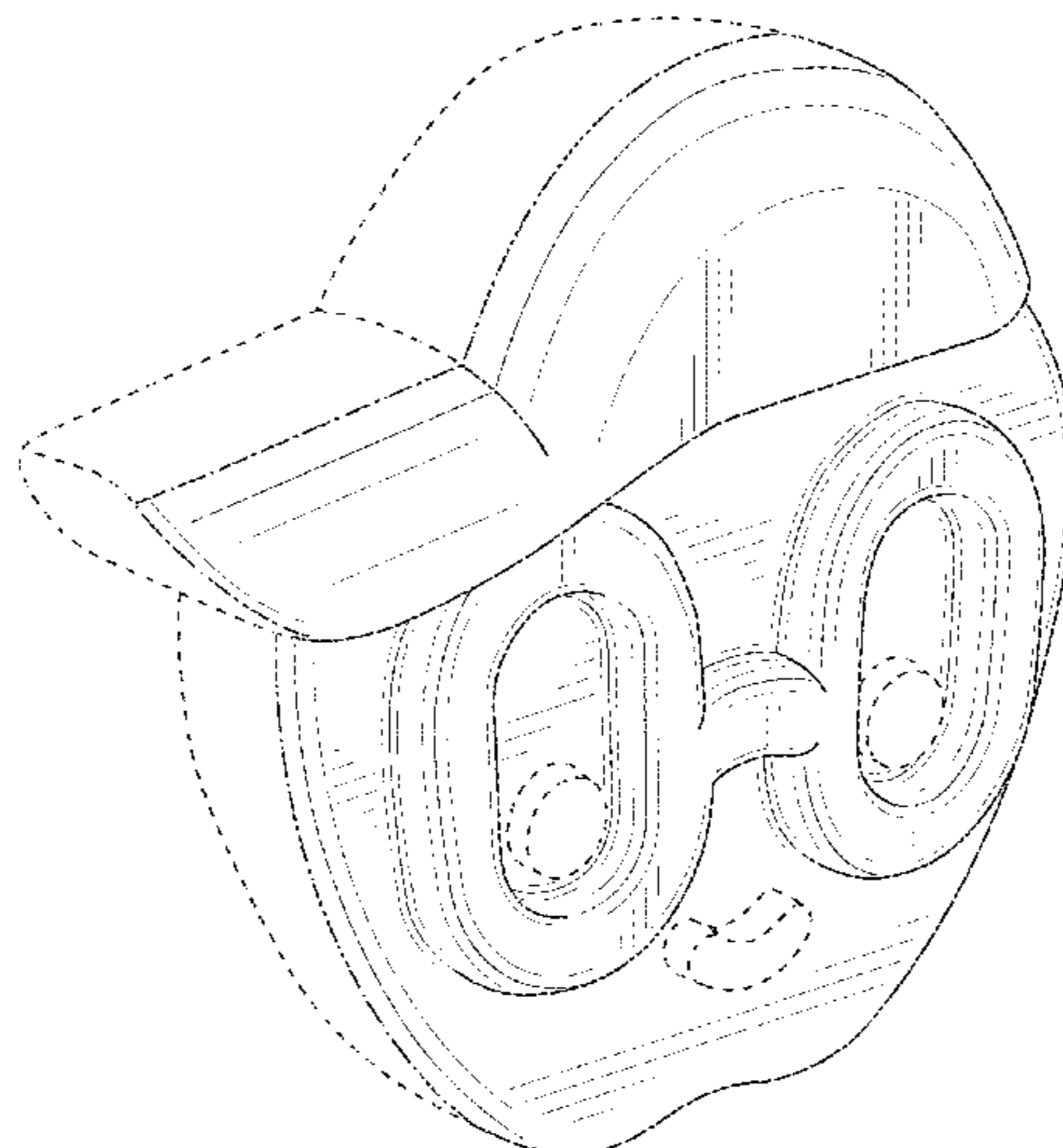
USPC ..... D1/100–130, 199; D24/101–104  
CPC ..... A23G 3/343; A23G 2200/06; A23G 2200/08; A23G 3/48; A23G 3/54; A23G 2200/14; A23G 3/346; A23G 3/40; A23G 3/42; A23G 9/28; A23G 9/282; A23G 9/283; A23G 9/322; A23G 2200/00; A23G 2220/02; A23G 3/36; A23G 4/06; A23G 4/20; A23G 9/32; A23G 9/34; A23G 1/0013; A23G 1/0036; A23G 1/0046; A23G 1/0056; A23G 1/10; A23G 1/202; A23G 1/32; A23G 1/42; A23G 1/54; A23G 3/0019; A23G 3/0044; A23G 3/0065; A23G 3/0215; A23G 3/0236; A23G 3/32; A23G 3/34; A23G 3/46; A23G 3/50; A23G 4/04; A23G 4/062;

The ornamental design for candy, as shown and described.

**DESCRIPTION**

- 1. Candy
- 1.1: Front perspective
- 1.2: Front elevation
- 1.3: Back elevation
- 1.4: Right-side elevation
- 1.5: Left-side elevation
- 1.6: Top plan
- 1.7: Bottom plan

(Continued)



The dashed broken lines depict portions of the candy that form no part of the claimed design. The dot-dashed broken lines represent boundaries of the claimed candy and form no part of the claimed design.

**1 Claim, 7 Drawing Sheets**

(56)

**References Cited**

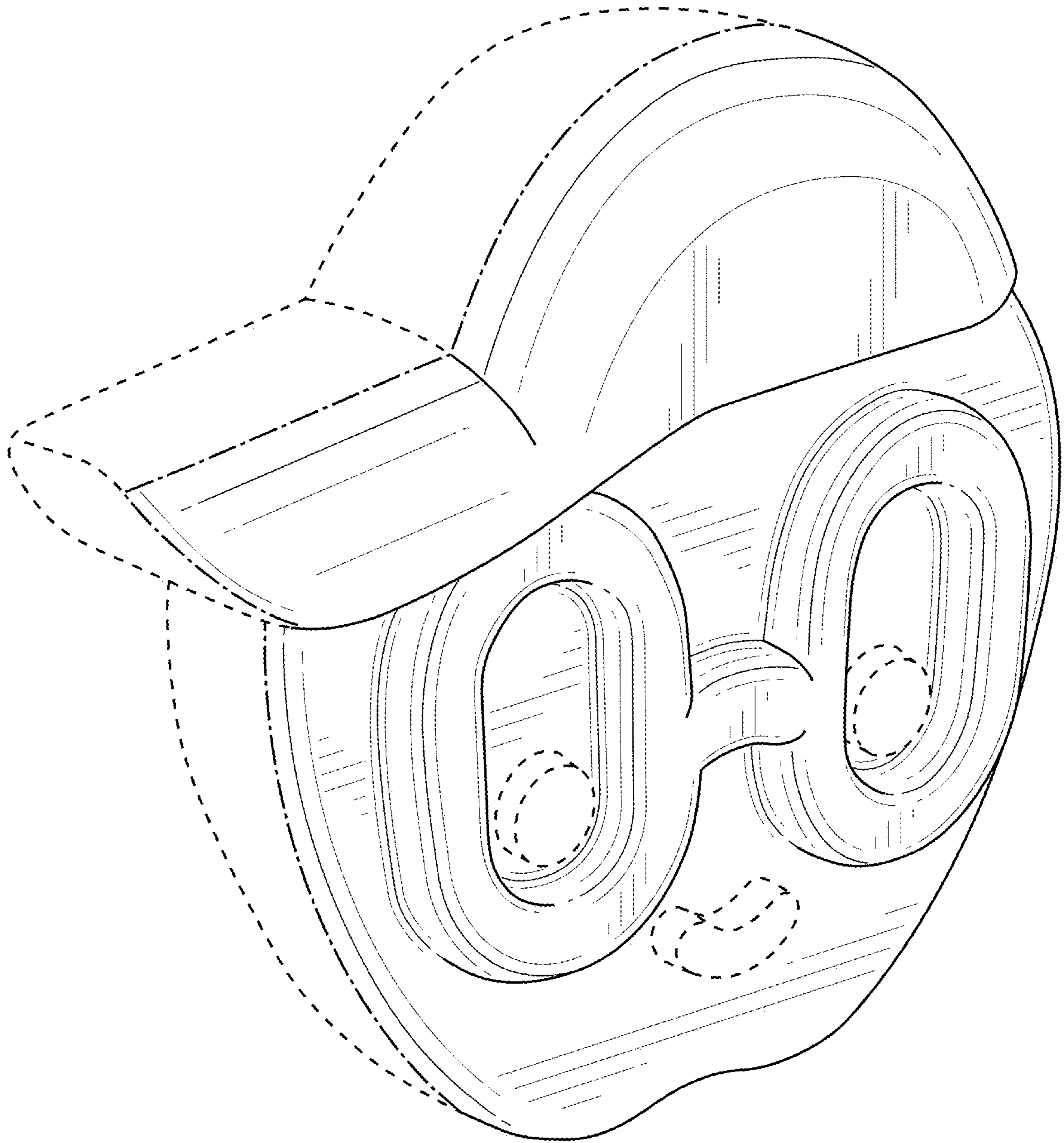
U.S. PATENT DOCUMENTS

D490,587 S *	6/2004	Hunt .....	D1/102
D598,632 S *	8/2009	Damron .....	D1/106
D695,988 S *	12/2013	Trammell .....	D1/106
D768,351 S *	10/2016	Sherman .....	D1/108
D768,352 S *	10/2016	Sherman .....	D1/108
D779,150 S *	2/2017	Sherman .....	D1/108
D939,183 S *	12/2021	Polak .....	D1/127
D939,184 S *	12/2021	Polak .....	D1/127

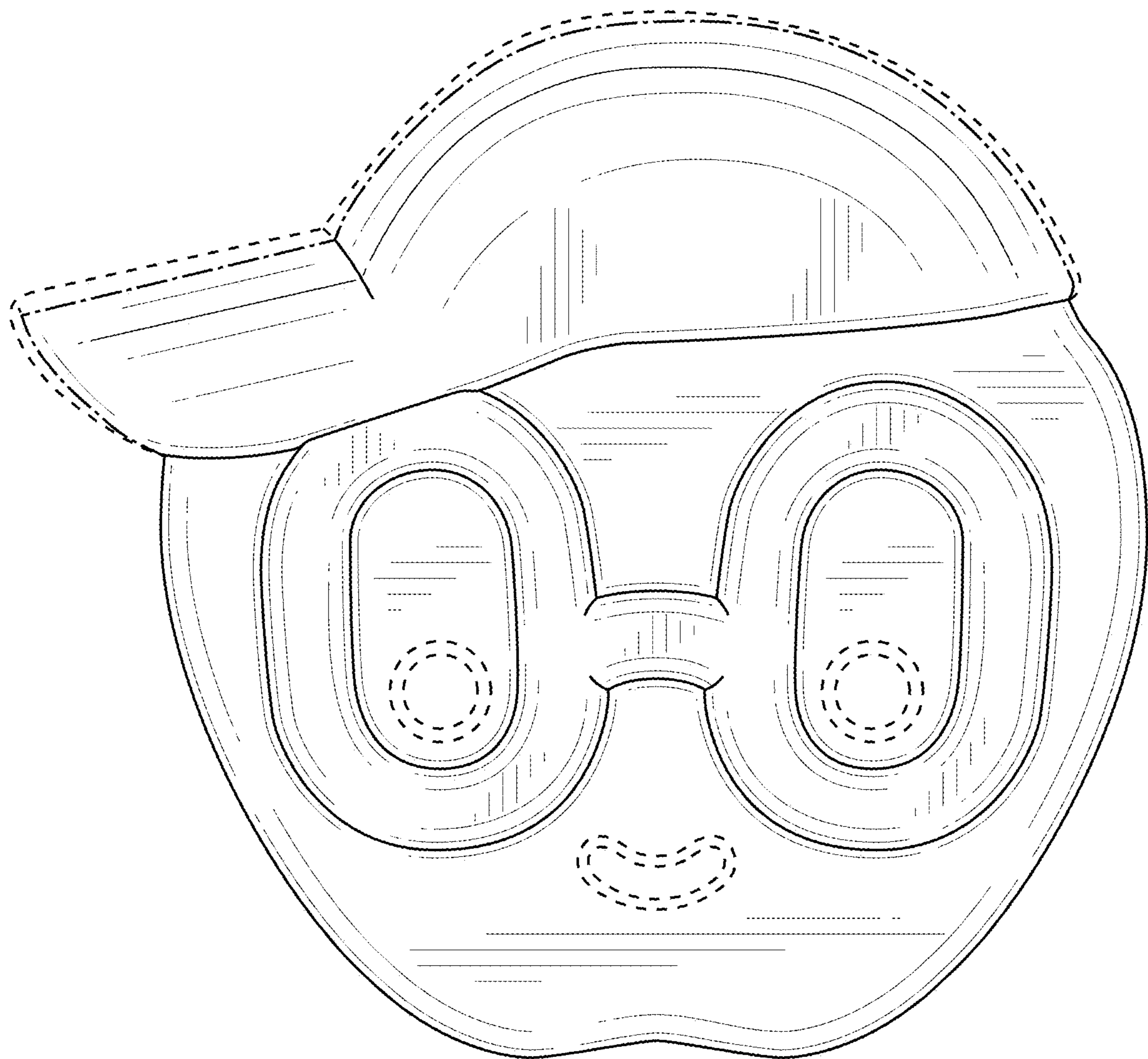
OTHER PUBLICATIONS

Mexican Office Action dated Feb. 1, 2022 for Mexican Patent Application No. MX/f/ 2021/000307, a foreign counterpart to U.S. Appl. No. 35/001,895, 11 pages.

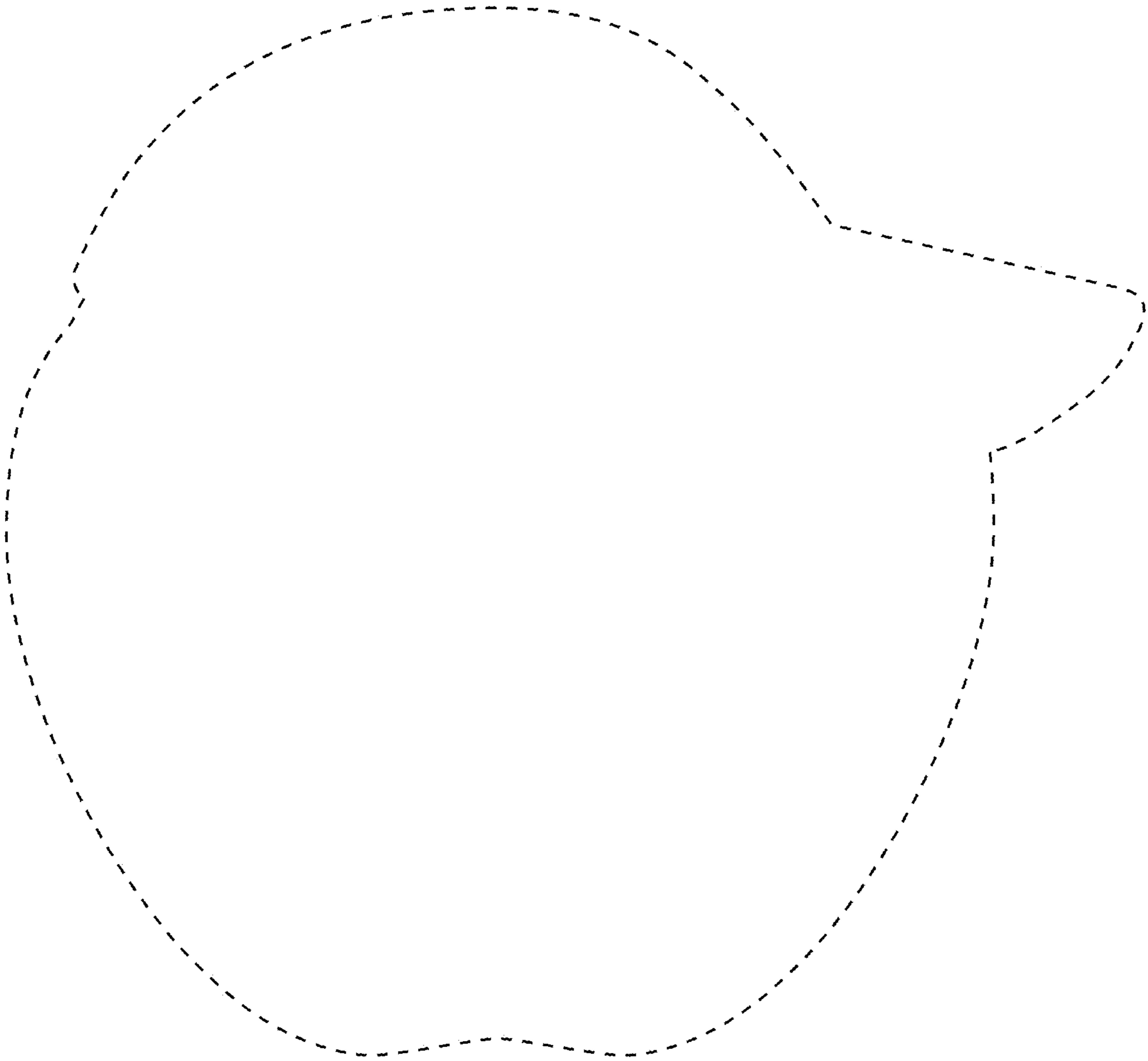
\* cited by examiner



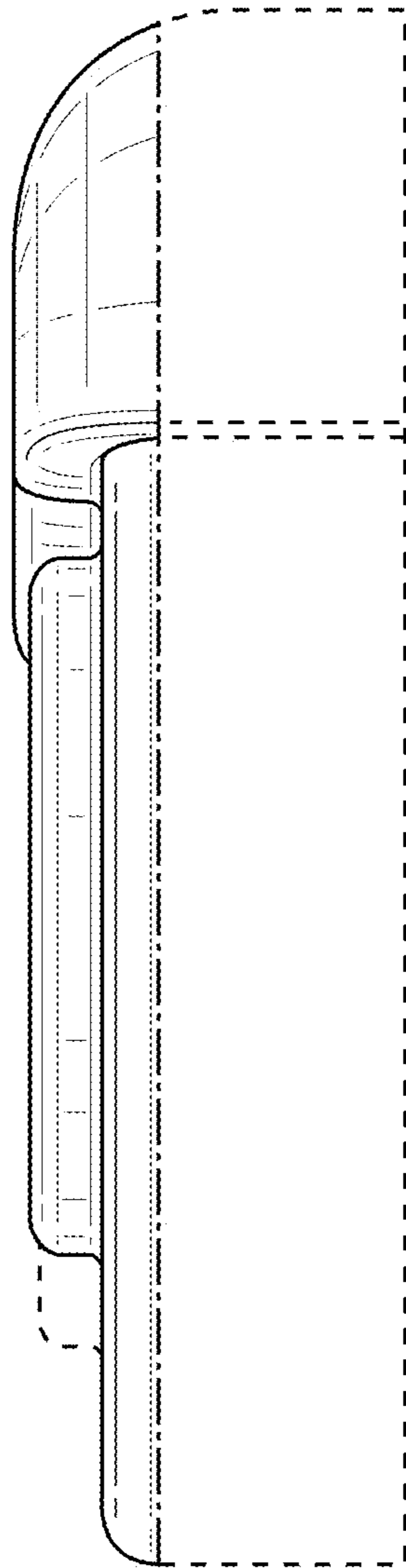
1.1



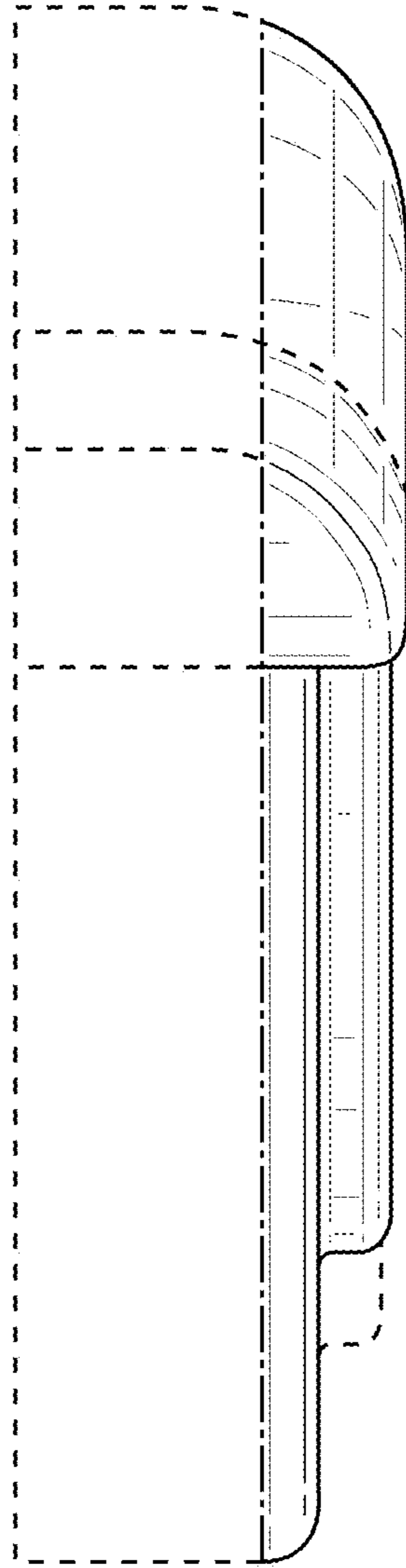
1.2



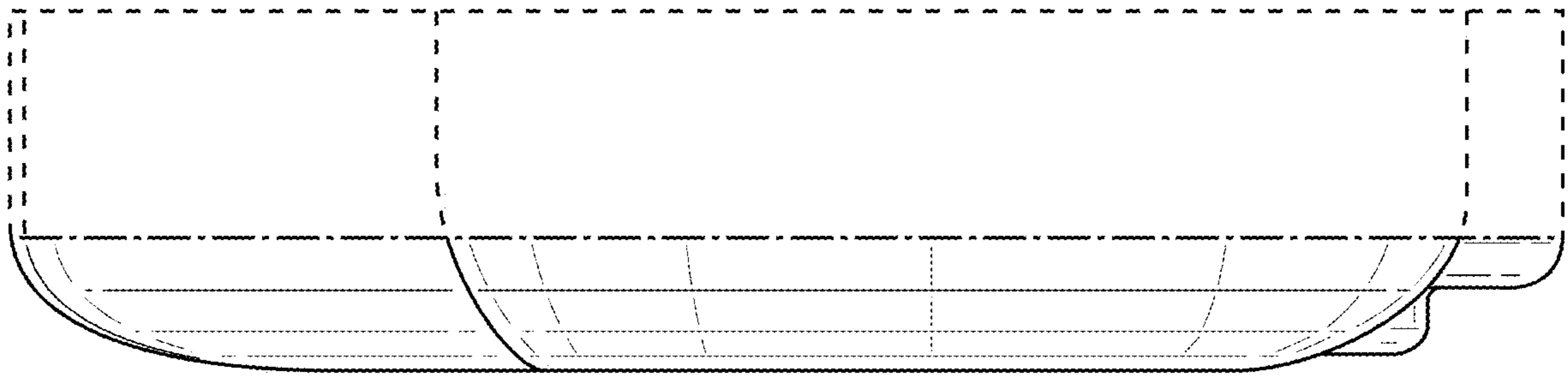
**1.3**



1.4

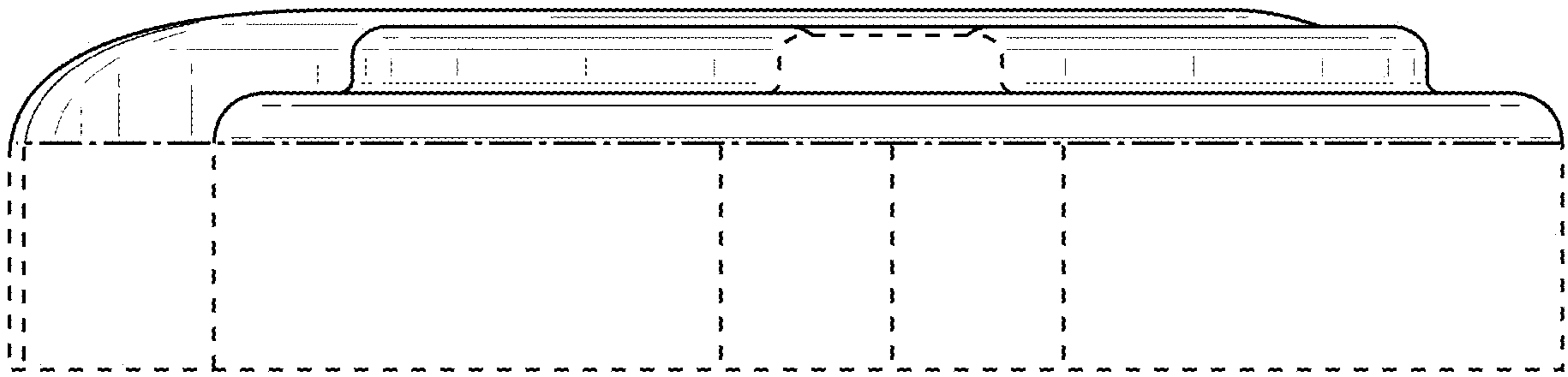


1.5



1.6





1.7