



US00D961884S

(12) **United States Design Patent** (10) **Patent No.:** **US D961,884 S**  
**Au et al.** (45) **Date of Patent:** **\*\* Aug. 23, 2022**

(54) **CART**  
(71) Applicant: **B-O-F CORPORATION**, Aurora, IL (US)  
(72) Inventors: **Derek Au**, Aurora, IL (US); **Edwin Albarran**, Chicago, IL (US); **Howard Topping**, Barrington, IL (US); **Julio Rubio**, Joliet, IL (US)

D267,243 S 12/1982 Jemas  
D410,127 S 5/1999 Colomban  
D486,618 S 2/2004 Crosco, Sr.  
D927,818 S 8/2021 Li  
D933,328 S \* 10/2021 Johnson ..... D34/12  
D938,765 S \* 12/2021 Mandel ..... D6/682.2  
D939,176 S \* 12/2021 Au ..... D34/12  
D949,506 S \* 4/2022 Dietz ..... D34/12  
D955,083 S \* 6/2022 Au ..... D34/21  
2007/0289788 A1 12/2007 Salmon

(73) Assignee: **B-O-F CORPORATION**, Aurora, IL (US)  
(\*\*) Term: **15 Years**

**FOREIGN PATENT DOCUMENTS**

IE S20090718 A2 6/2010

(21) Appl. No.: **29/815,174**

\* cited by examiner

(22) Filed: **Nov. 11, 2021**

*Primary Examiner* — Cynthia Ramirez

(74) *Attorney, Agent, or Firm* — Marshall, Gerstein & Borun LLP

**Related U.S. Application Data**

(62) Division of application No. 29/735,909, filed on May 26, 2020, now Pat. No. Des. 939,176.

(57) **CLAIM**

The ornamental design for a cart, as shown and described.

(51) **LOC (13) Cl.** ..... **12-02**

**DESCRIPTION**

(52) **U.S. Cl.**  
USPC ..... **D34/12; D34/27**

(58) **Field of Classification Search**  
USPC ..... D34/12–27  
CPC .... B62B 3/00; B62B 3/10; B62B 3/10; B62B 3/022; B62B 3/02; B62B 3/004; B62B 3/027; B62B 3/04; B62B 2205/00; B62B 5/026; B62B 1/12; B62B 1/00; B62B 1/10; B62B 1/14; B62B 1/047; B62B 1/04  
See application file for complete search history.

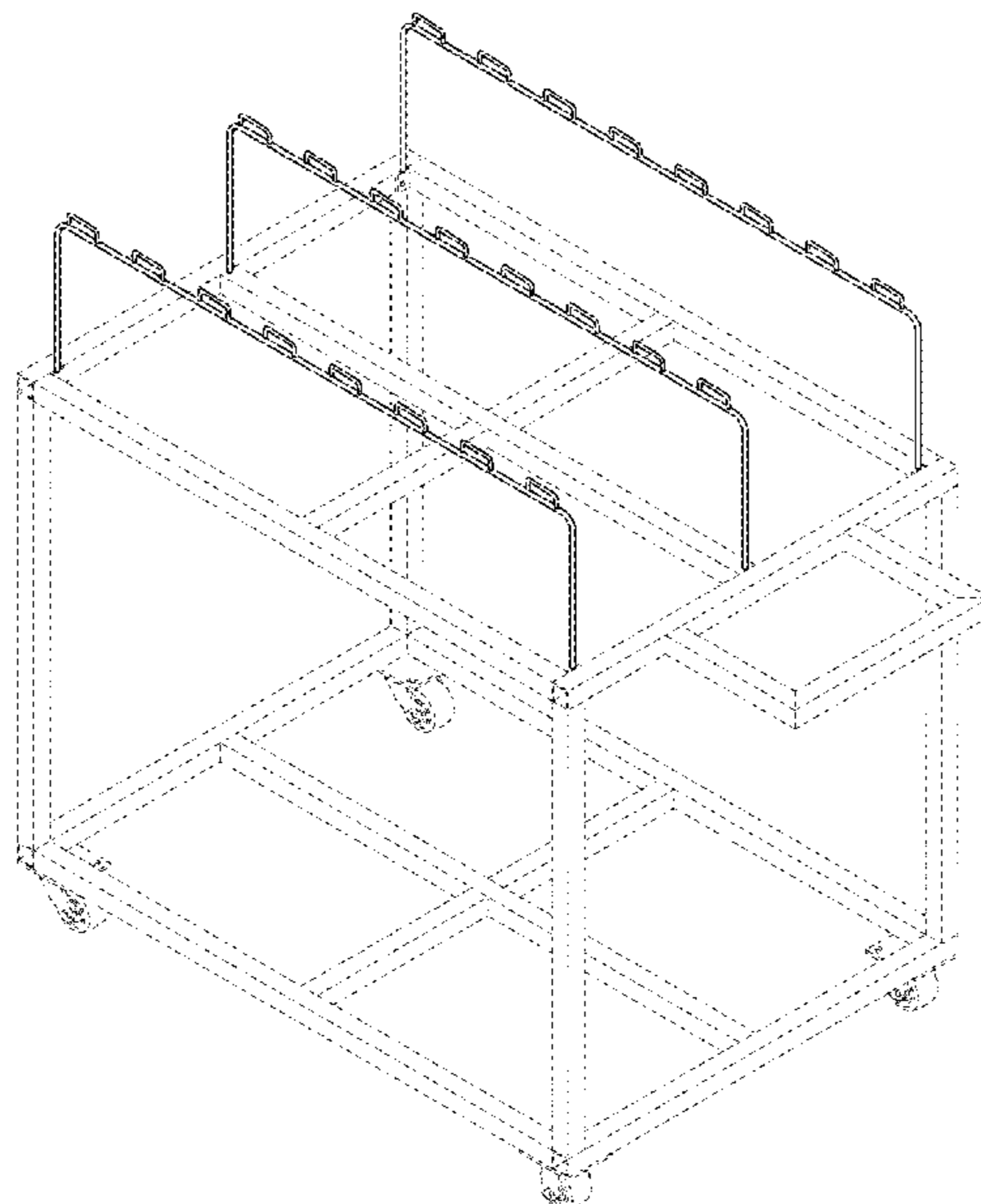
FIG. 1 is a perspective view of a cart of the new design; FIG. 2 is a right elevation view of the invention illustrated in FIG. 1; FIG. 3 is a left elevation view of the invention illustrated in FIG. 1; FIG. 4 is a front view of the invention illustrated in FIG. 1; FIG. 5 is a rear side view of the invention illustrated in FIG. 1; FIG. 6 is a top view of the invention illustrated in FIG. 1; and, FIG. 7 is a bottom view of the invention illustrated in FIG. 1. The broken lines in the drawings depict portions of the cart that form no part of the claimed design.

(56) **References Cited**

**U.S. PATENT DOCUMENTS**

D221,748 S 9/1971 Bloomfield et al.  
D222,633 S 11/1971 Carter et al.

**1 Claim, 7 Drawing Sheets**



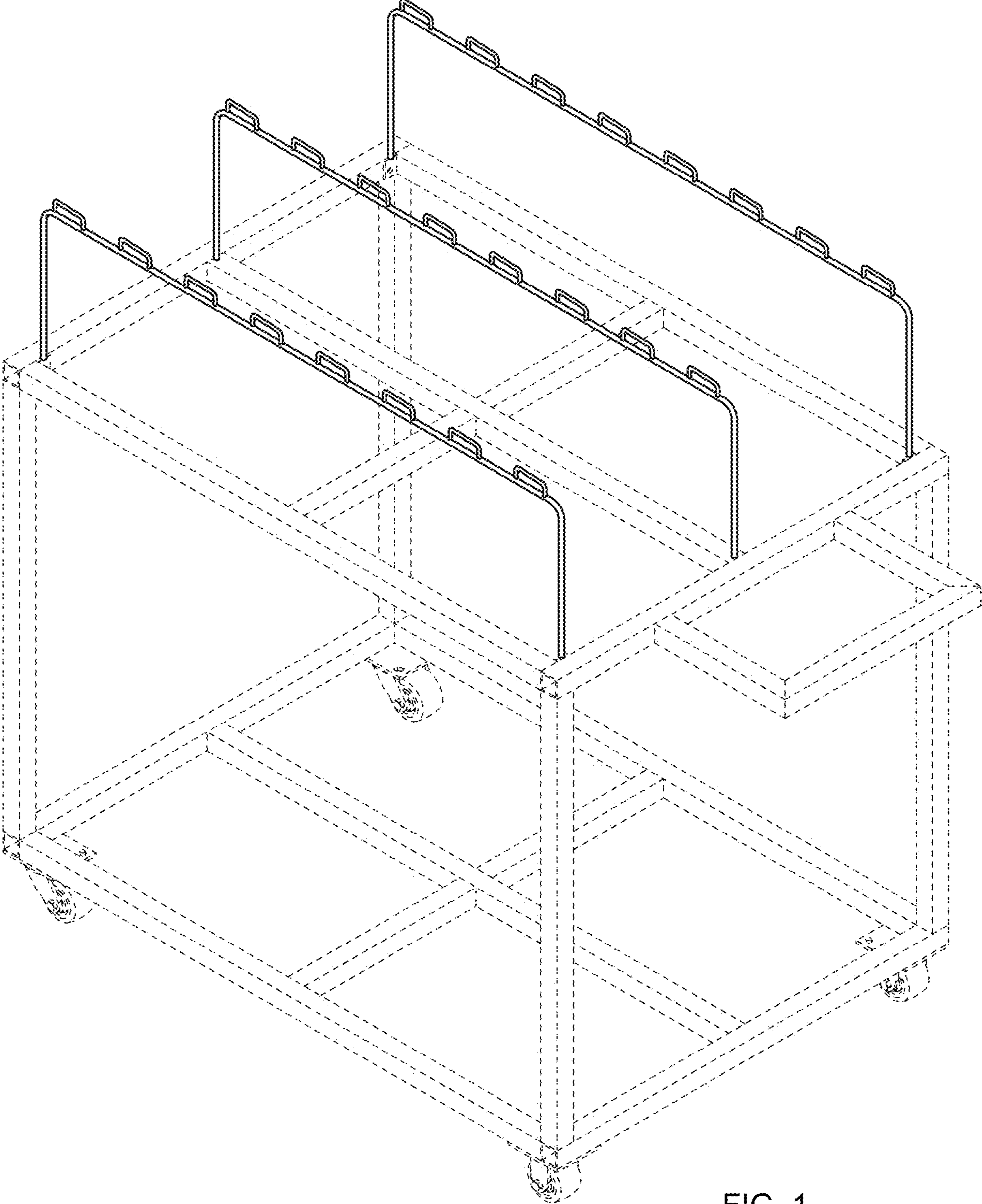


FIG. 1

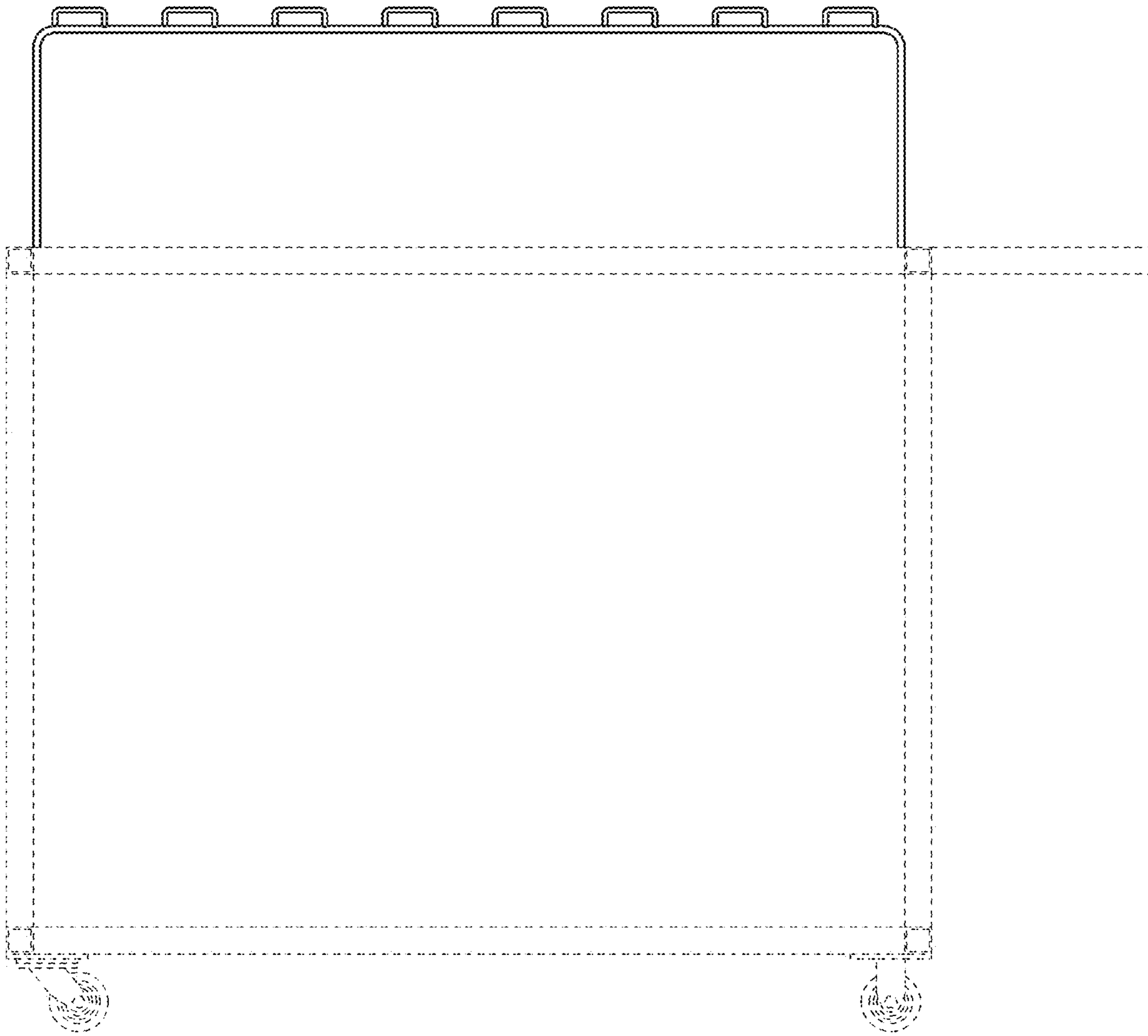


FIG. 2

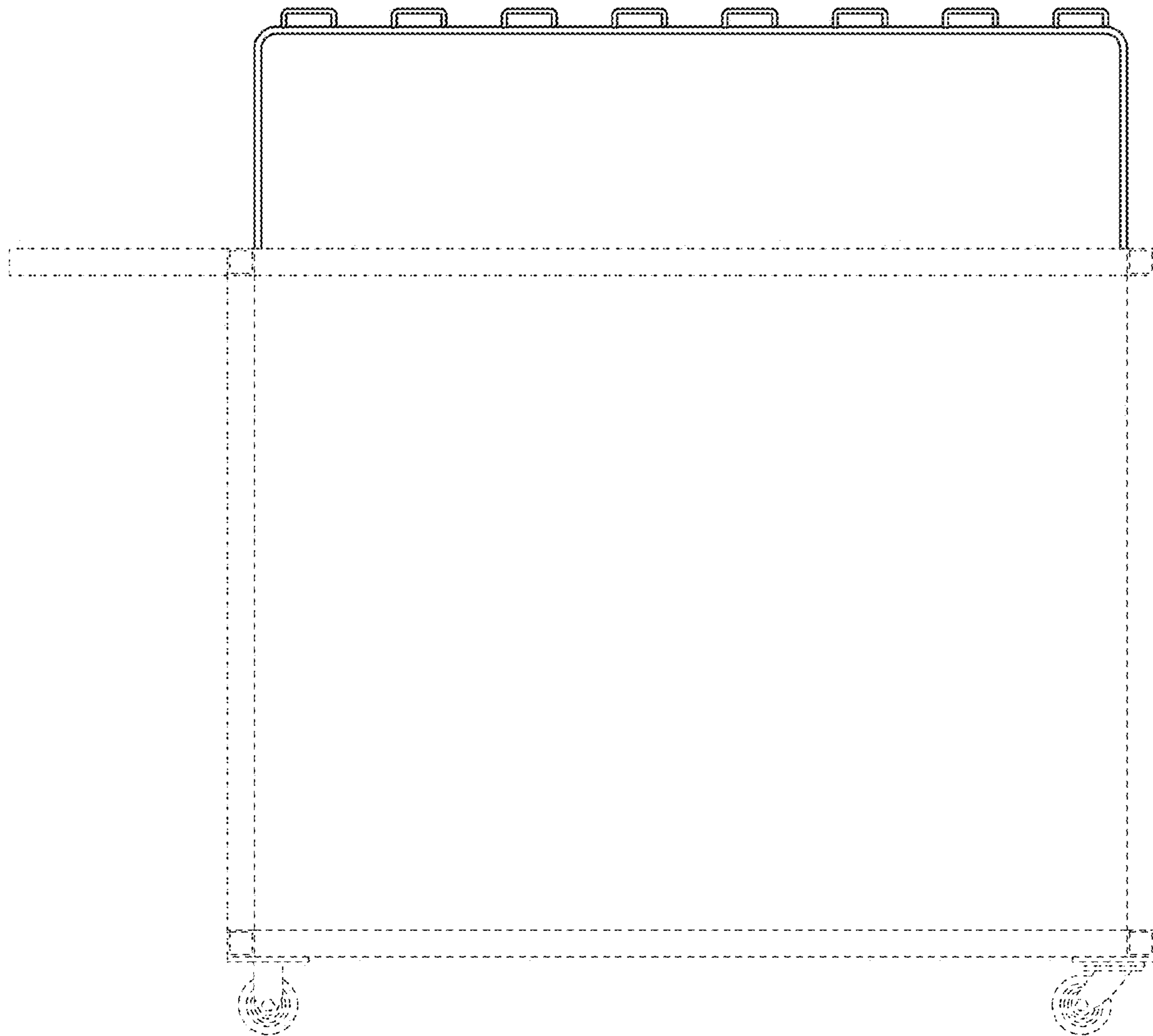


FIG. 3

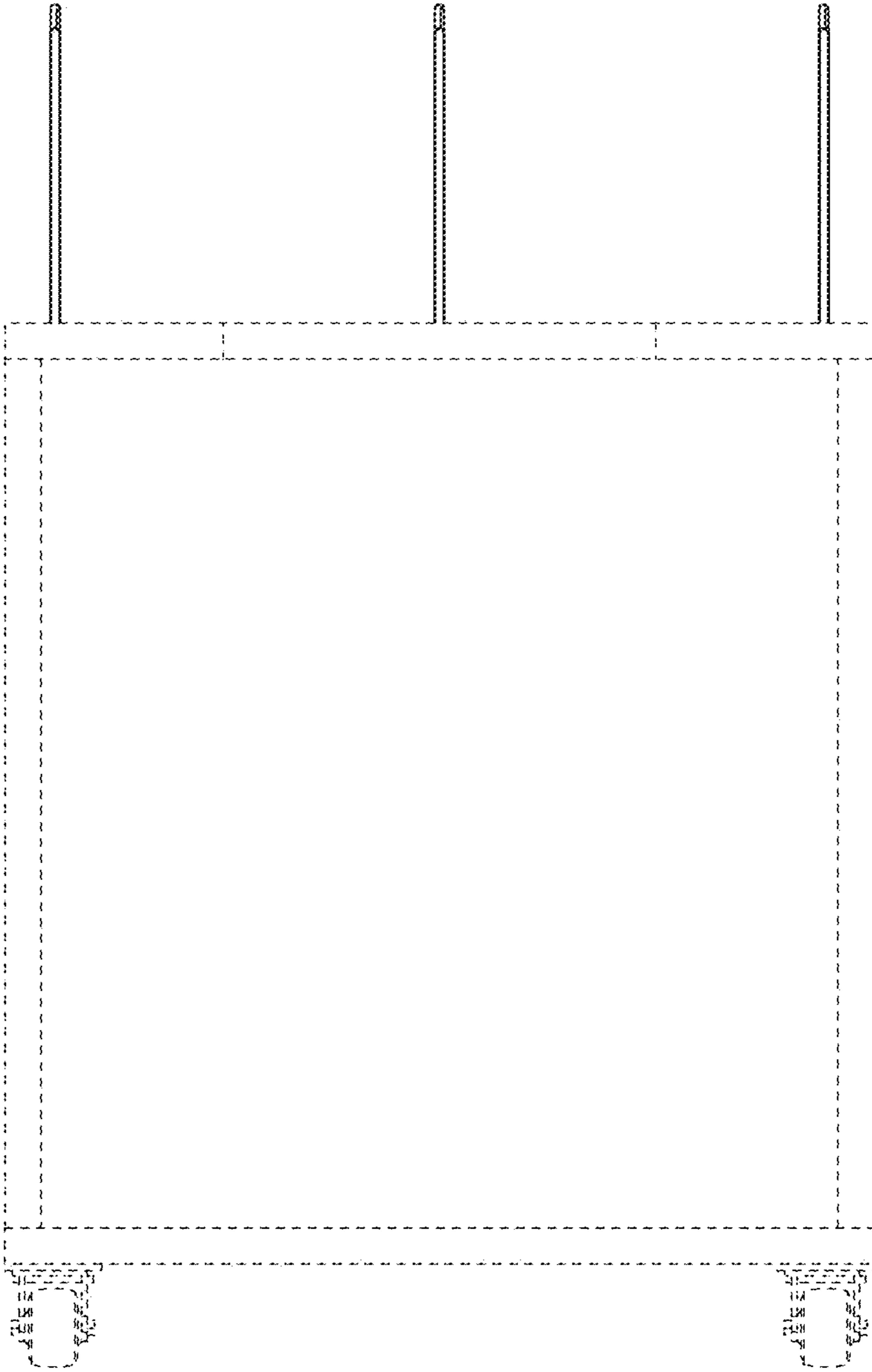


FIG. 4

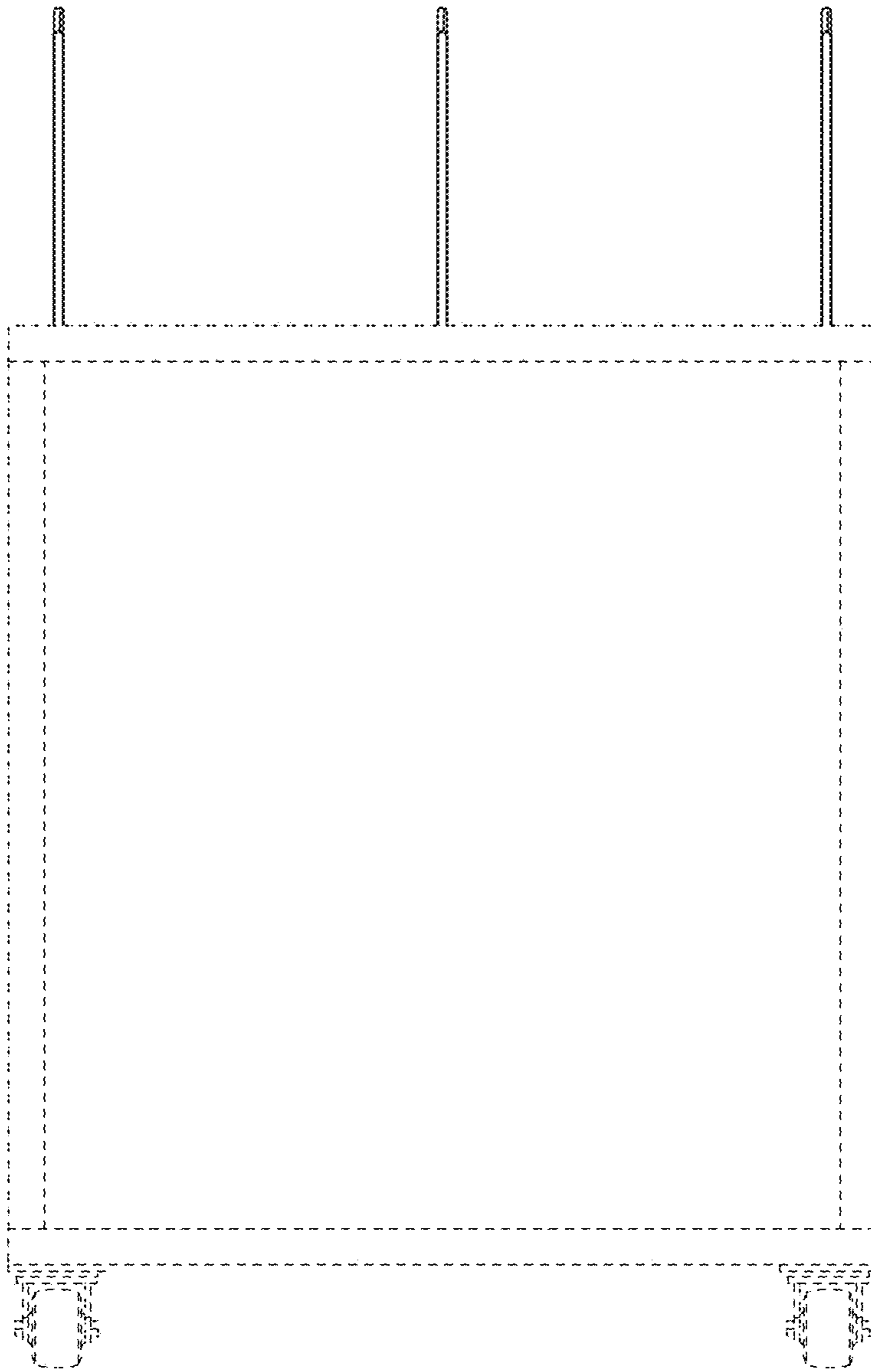


FIG. 5

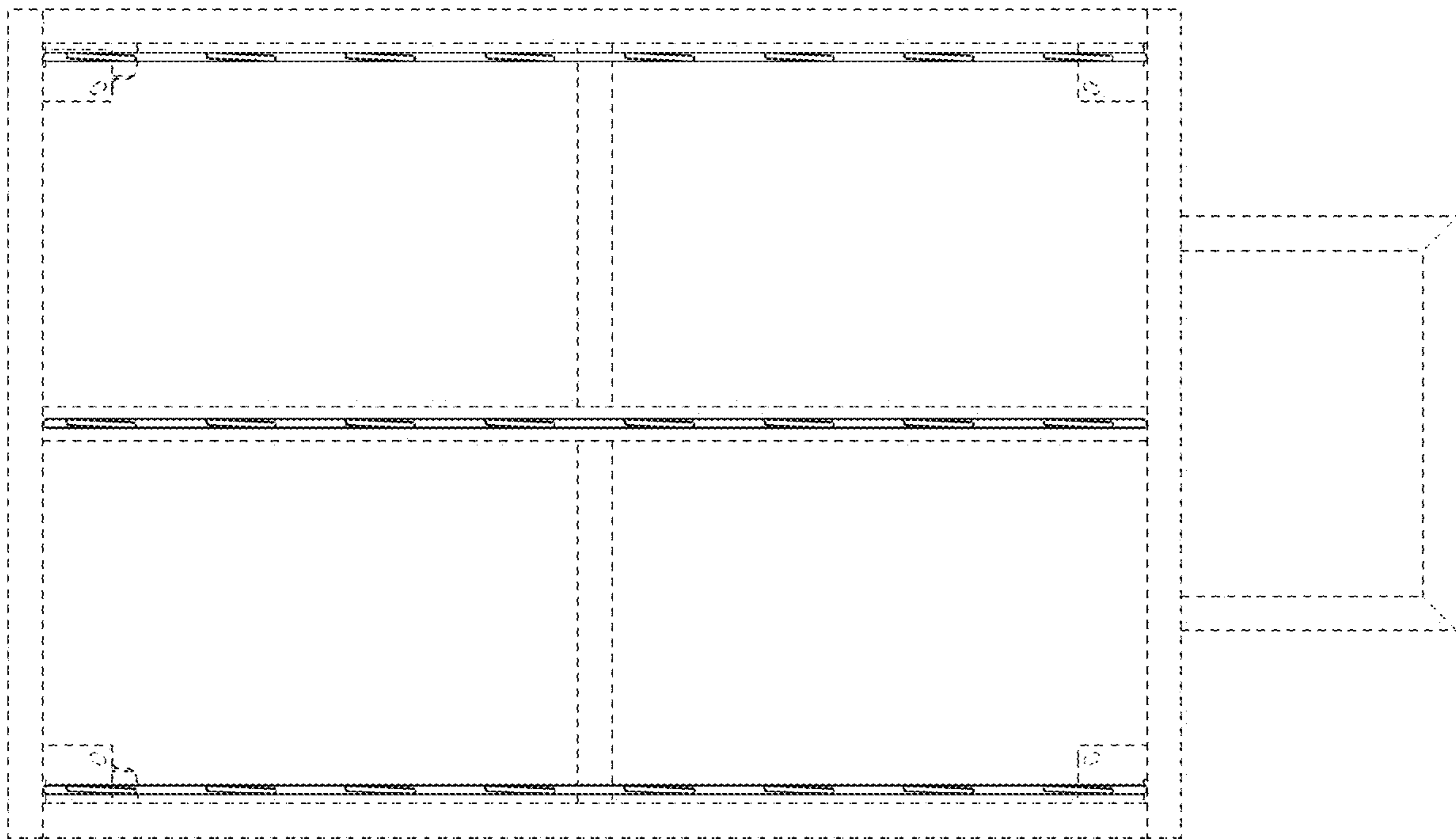


FIG. 6

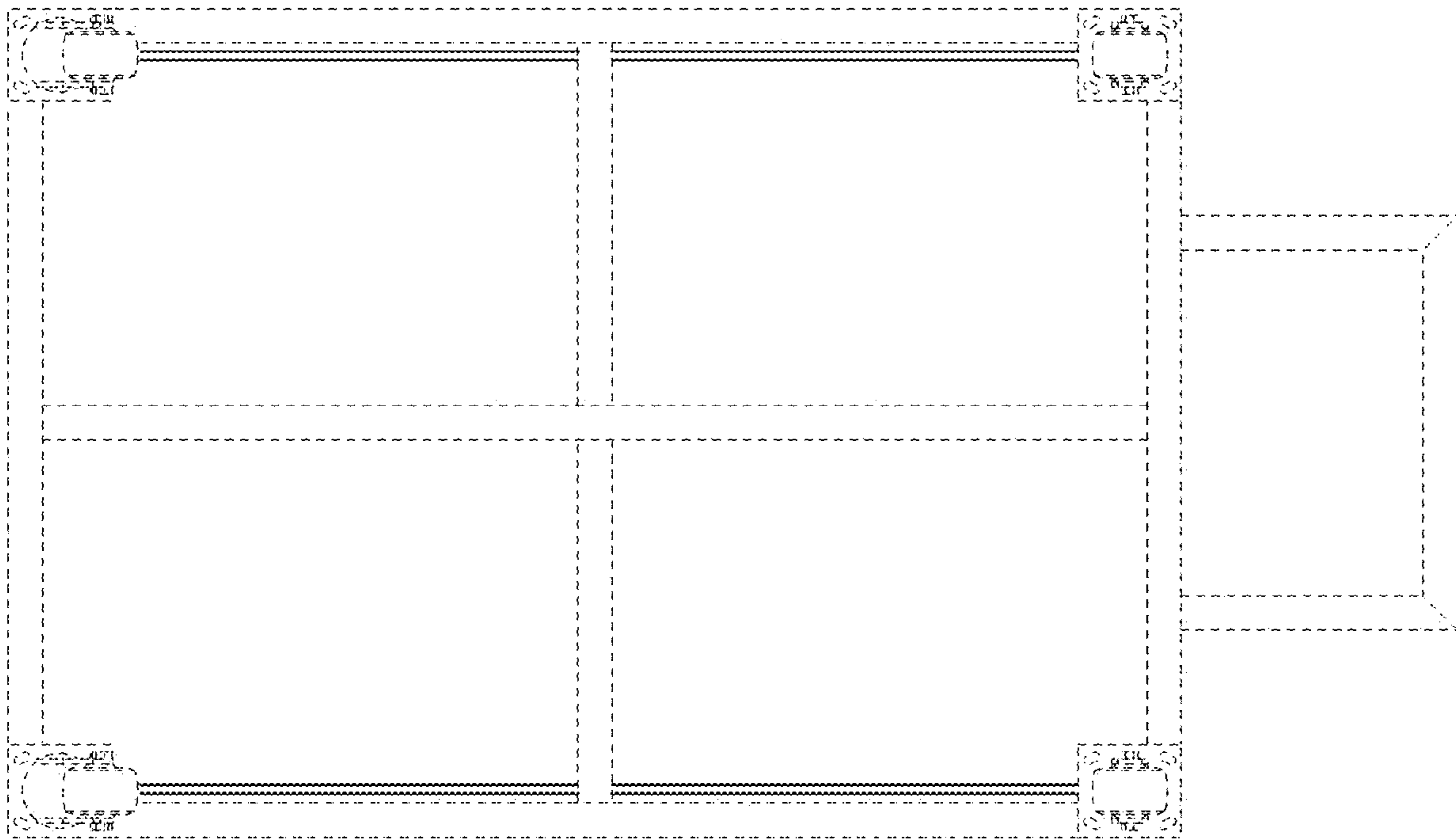


FIG. 7