



US00D961878S

(12) **United States Design Patent**  
**Koss et al.**

(10) **Patent No.:** **US D961,878 S**

(45) **Date of Patent:** **\*\* Aug. 23, 2022**

(54) **SINK SADDLE**

(71) Applicant: **DV International Inc.**, St. Paul, MN (US)

(72) Inventors: **Jason Koss**, New Hope, MN (US);  
**Taylor Hill**, St. Paul, MN (US)

(73) Assignee: **DV International Inc.**, St. Paul, MN (US)

(\*\*) Term: **15 Years**

(21) Appl. No.: **29/774,930**

(22) Filed: **Mar. 19, 2021**

(51) **LOC (13) Cl.** ..... **07-05**

(52) **U.S. Cl.**  
USPC ..... **D32/55**

(58) **Field of Classification Search**  
USPC ..... D32/55, 276, 3; D6/510, 525; D30/133;  
211/41.5, 41.4, 41.3, 41.8; 361/679.4;  
312/311, 333, 334.4; D7/354, 629  
CPC ..... A47J 47/20; A47J 2201/00; A47J 47/00;  
B65D 35/02; B65D 35/22; B65D 35/56  
See application file for complete search history.

(56) **References Cited**

U.S. PATENT DOCUMENTS

D690,483 S \* 9/2013 Renz ..... D32/55  
D699,012 S \* 2/2014 Ziemann ..... D32/55  
D762,934 S \* 8/2016 Evans ..... D32/55

D764,132 S \* 8/2016 Goodman ..... D32/55  
D816,286 S \* 4/2018 Kim ..... D32/55  
D877,439 S \* 3/2020 Stevens ..... D32/55  
D885,700 S \* 5/2020 Joseph ..... D32/55  
D890,460 S \* 7/2020 Evans ..... D32/55  
D916,412 S \* 4/2021 Moody Fear ..... D32/55  
D922,716 S \* 6/2021 Zhou ..... D32/58

\* cited by examiner

*Primary Examiner* — Austin Murphy

(74) *Attorney, Agent, or Firm* — Pauly, DeVries Smith & Deffner LLC

(57) **CLAIM**

The ornamental design for a sink saddle, as shown and described.

**DESCRIPTION**

FIG. 1 is a top, front, left-side perspective view of a sink saddle.

FIG. 2 is a front elevational view of the sink saddle of FIG. 1.

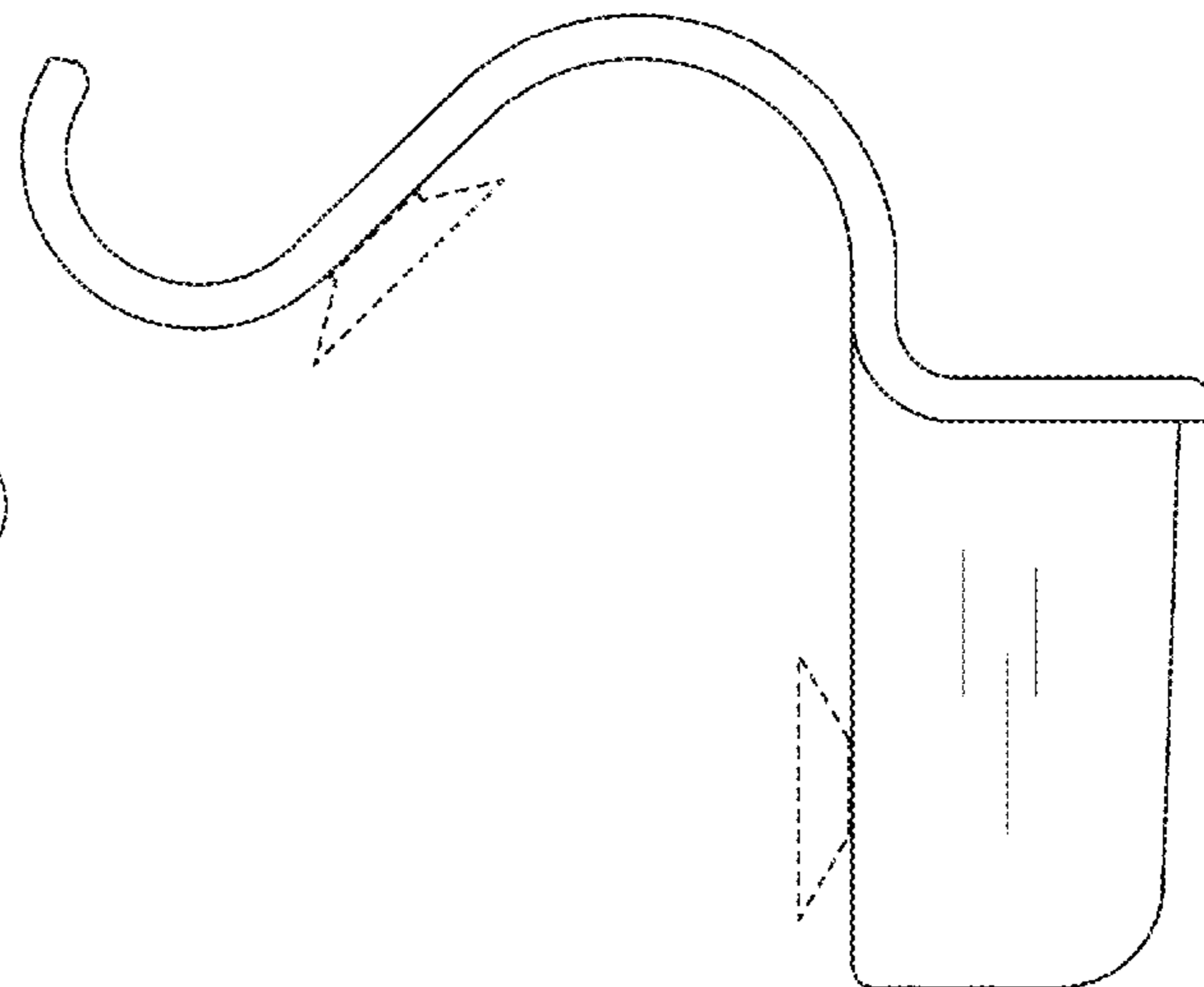
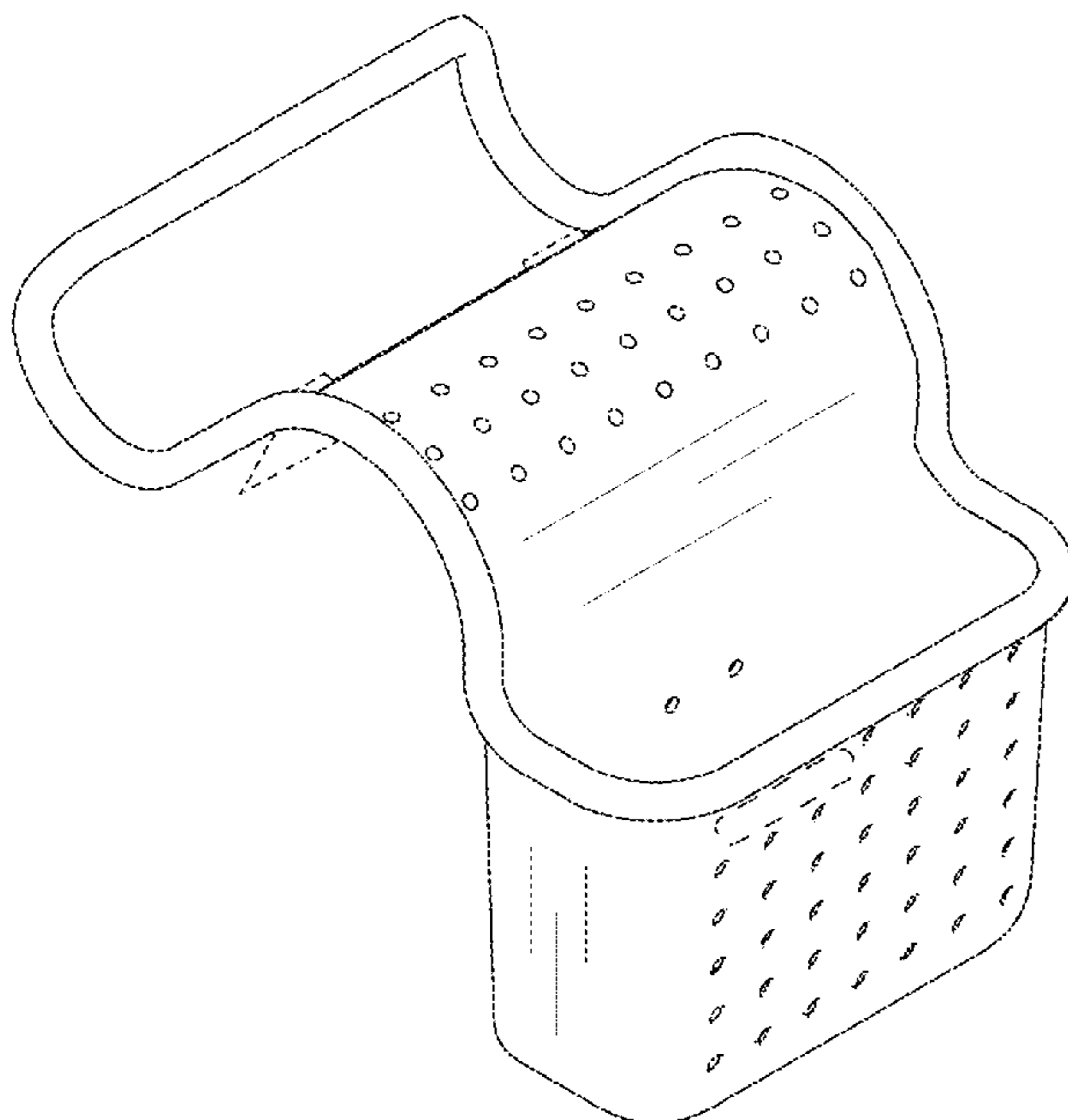
FIG. 3 is a rear elevational view of the sink saddle of FIG. 1.

FIG. 4 is a right-side elevational view of the sink saddle of FIG. 1.

FIG. 5 is a left-side elevational view of the sink saddle of FIG. 1.

FIG. 6 is a top plan view of the sink saddle of FIG. 1; and, FIG. 7 is a bottom plan view of the sink saddle of FIG. 1. The broken lines in the drawings illustrate portions of the sink saddle that form no part of the claim.

**1 Claim, 7 Drawing Sheets**



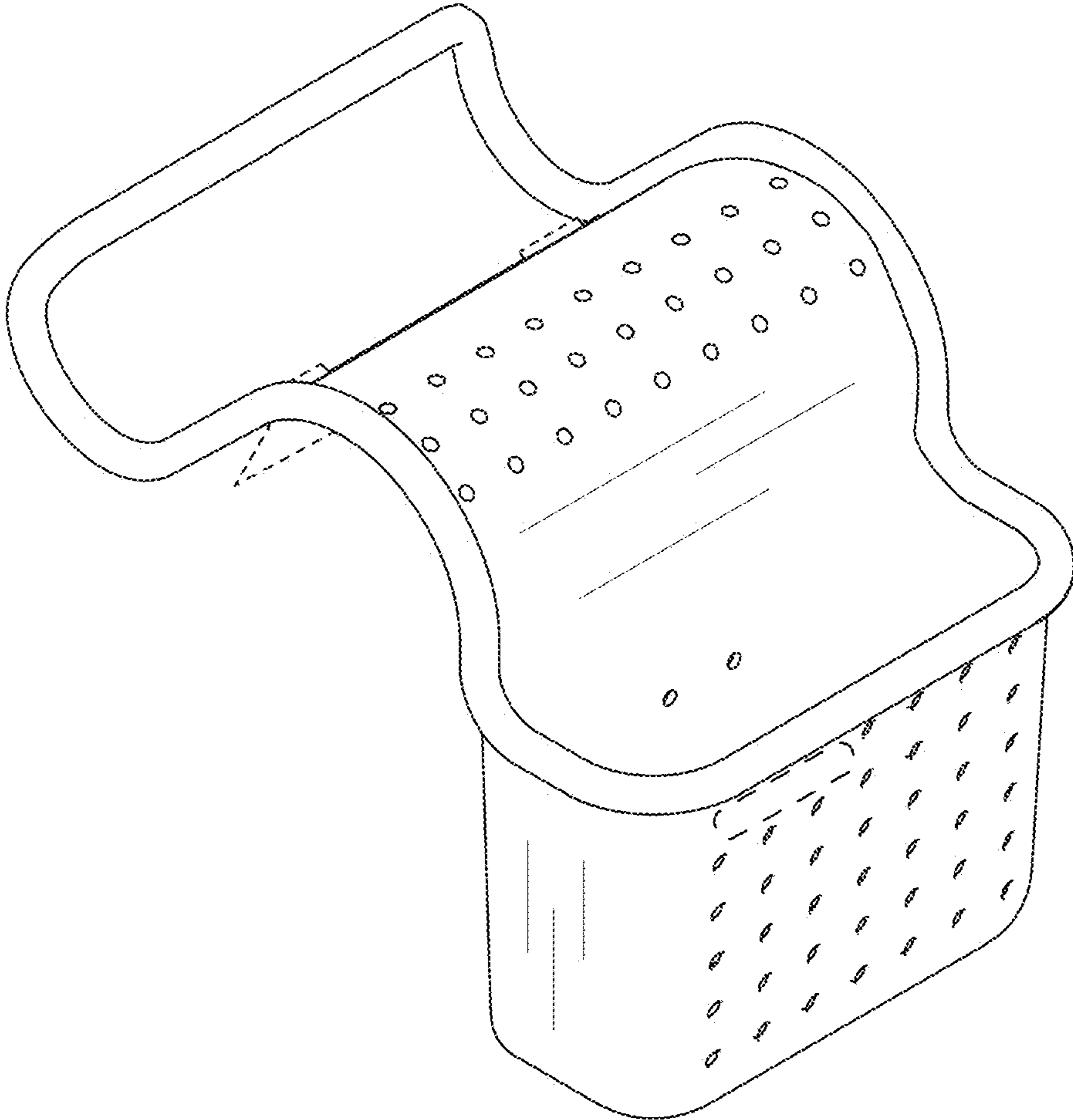


FIG. 1

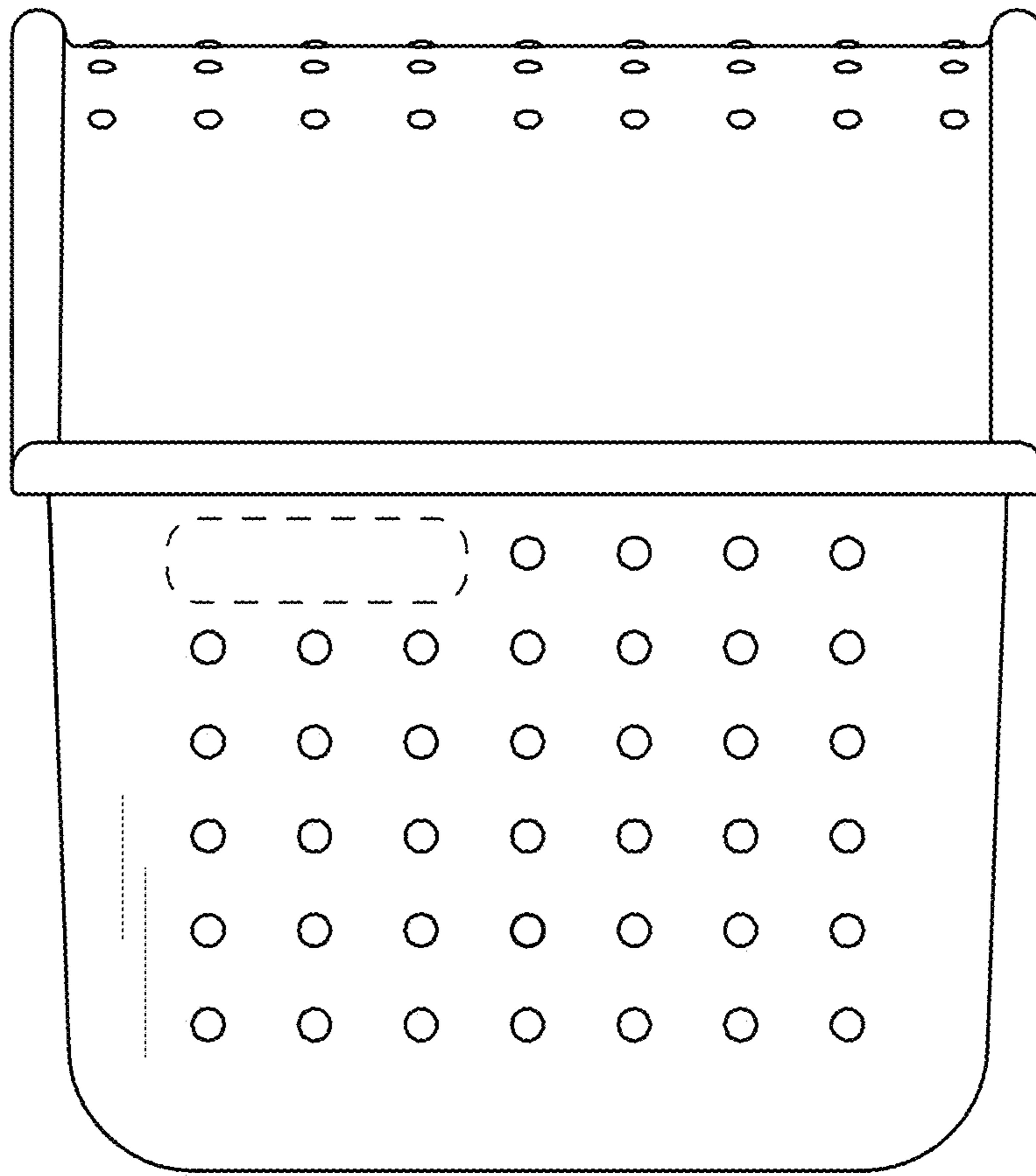


FIG. 2

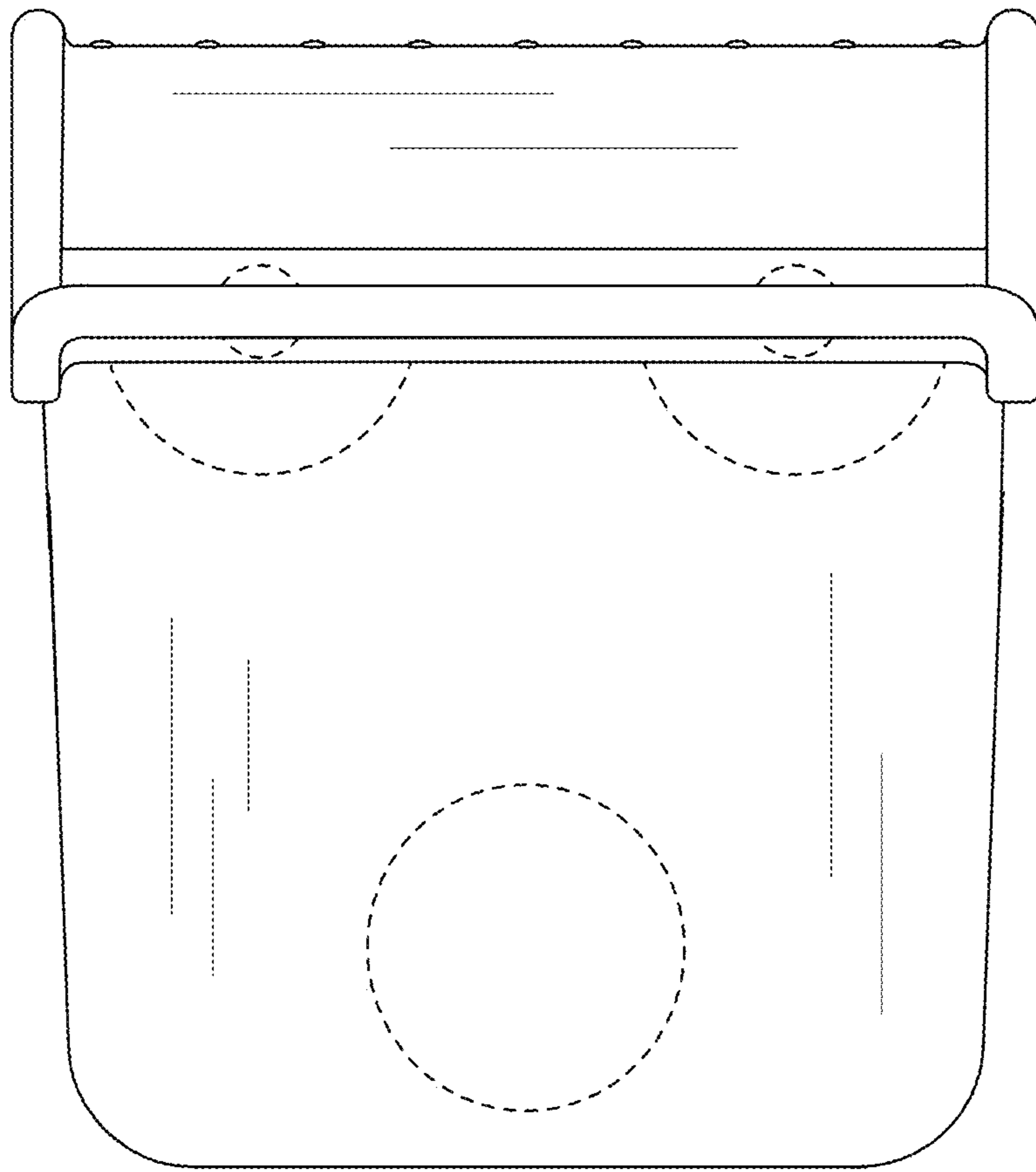


FIG. 3

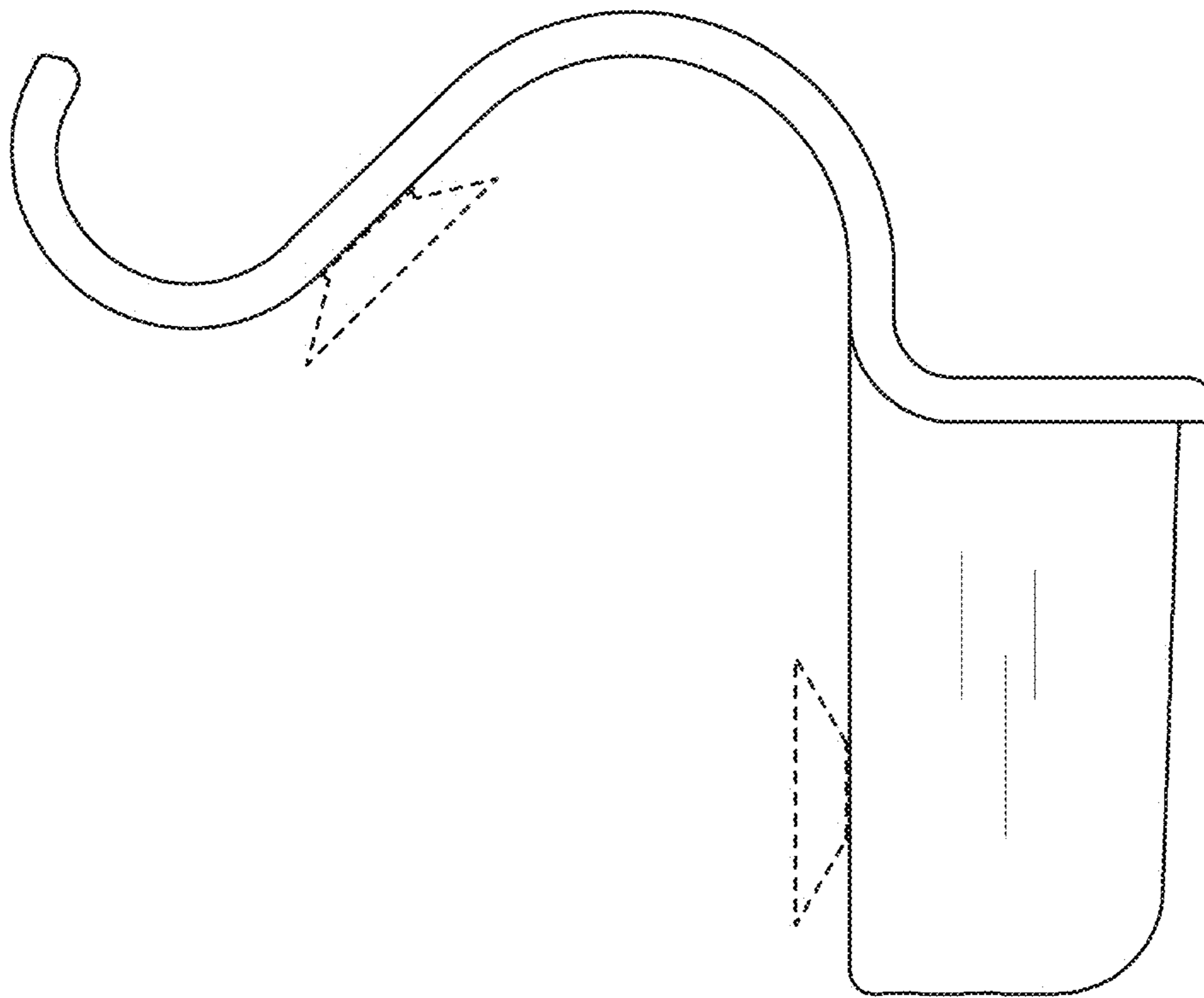


FIG. 4

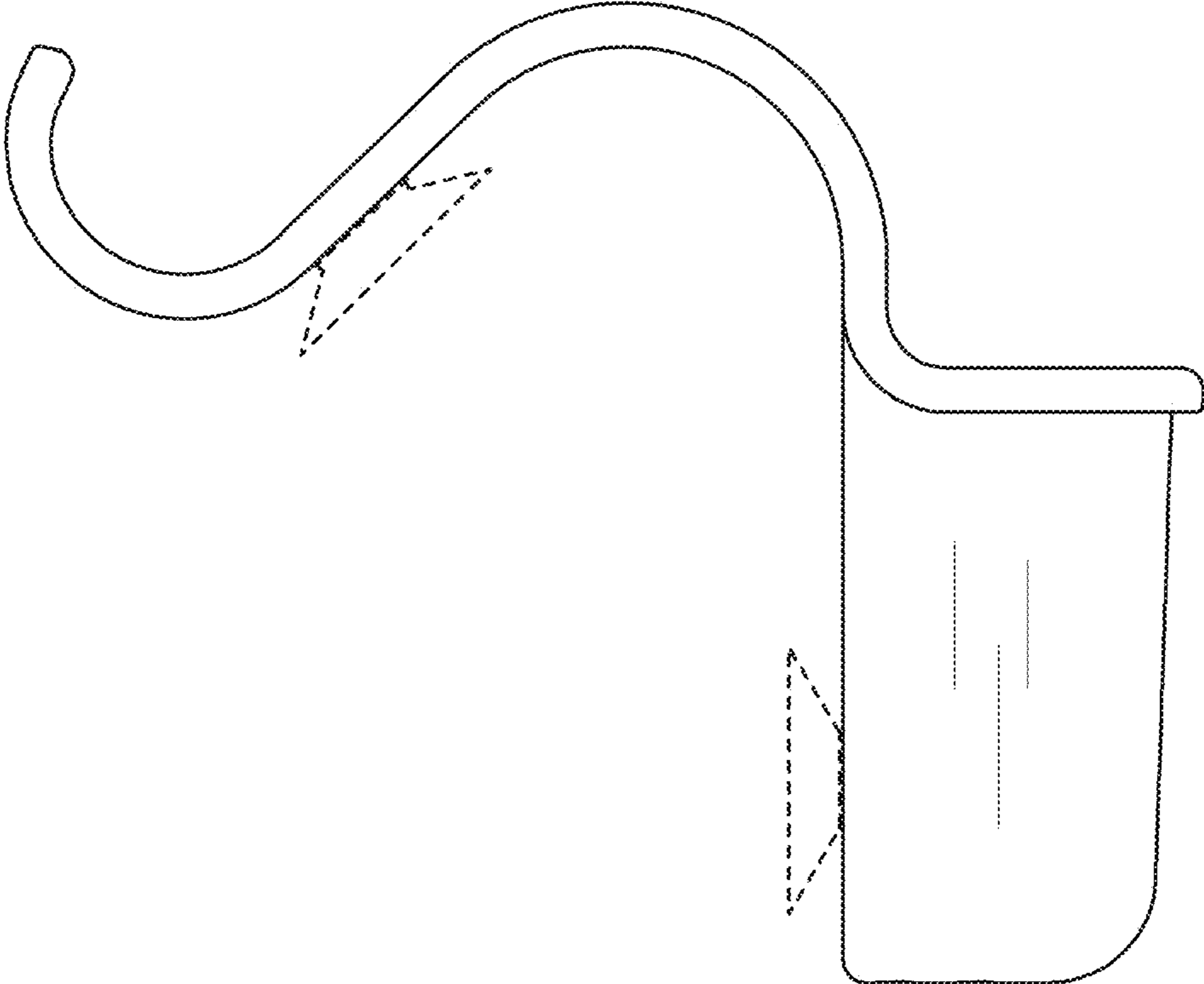


FIG. 5

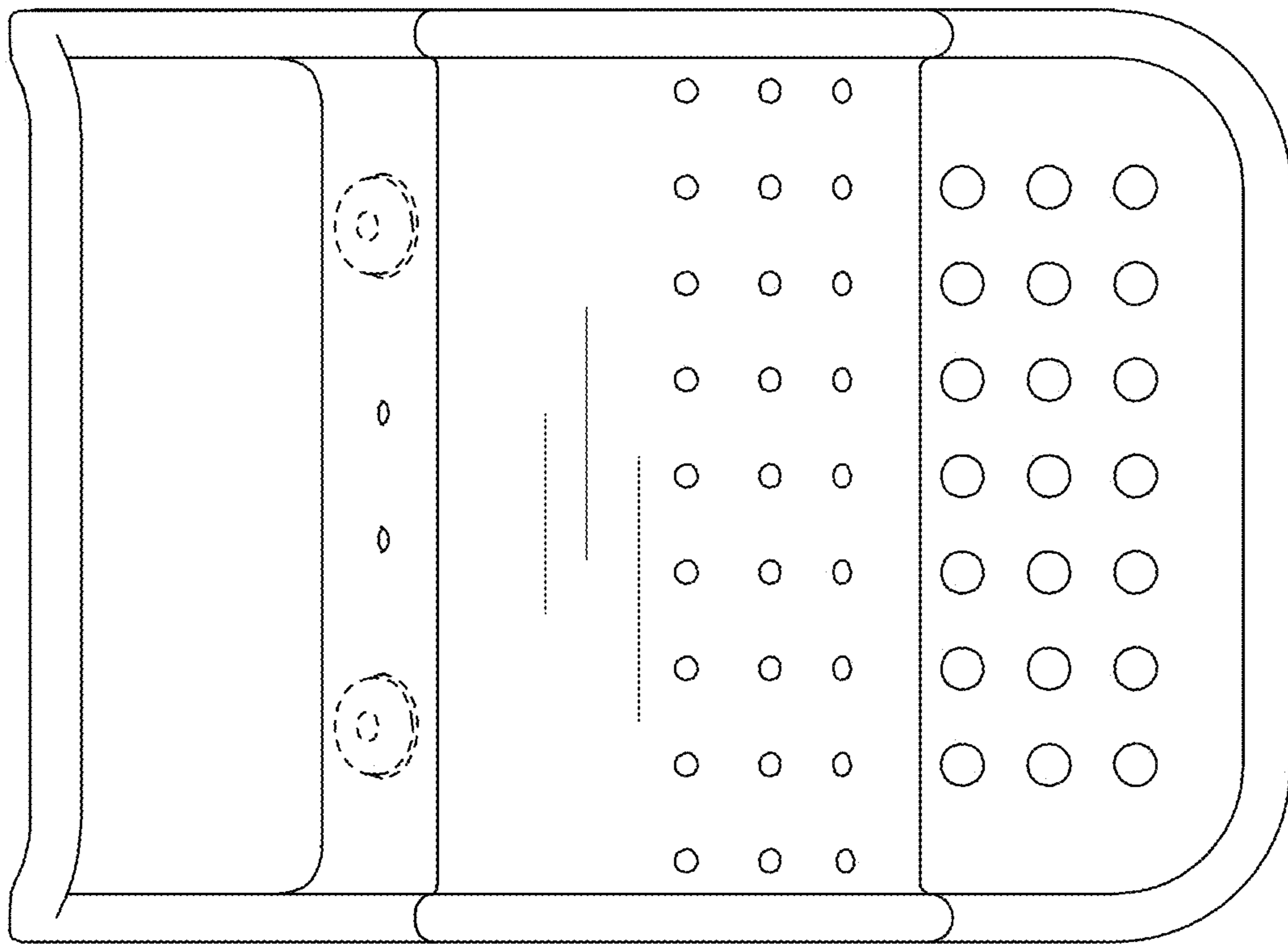


FIG. 6

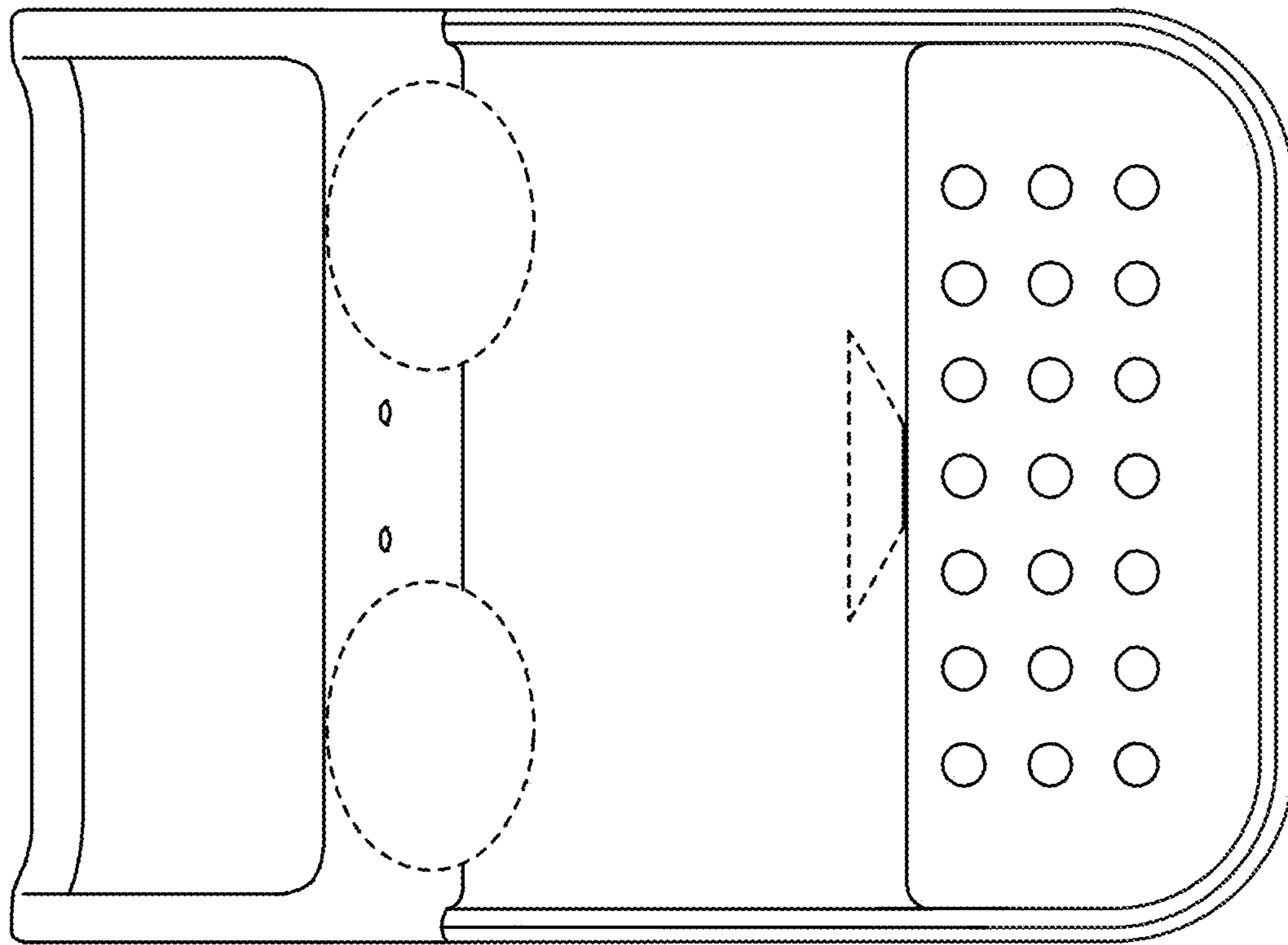


FIG. 7