



US00D961877S

(12) **United States Design Patent** (10) **Patent No.:** **US D961,877 S**  
**Lin** (45) **Date of Patent:** **\*\* Aug. 23, 2022**

(54) **DISH RACK**  
(71) Applicant: **Jiangmen Yingpo Science and Technology Co., Ltd, Guangdong (CN)**

D921,319 S \* 6/2021 Xie ..... D32/55  
D925,852 S \* 7/2021 XiangZe ..... D32/55  
2016/0249783 A1\* 9/2016 Oh ..... A47L 19/04  
211/41.4

(72) Inventor: **Zhiliang Lin, Guangdong (CN)**

**FOREIGN PATENT DOCUMENTS**

(\*\*) Term: **15 Years**

CN 307008954 \* 12/2021  
EM 008148076-0001 \* 9/2020  
GB 9008148076-0001 \* 8/2020

(21) Appl. No.: **29/749,716**

**OTHER PUBLICATIONS**

(22) Filed: **Sep. 9, 2020**

(51) **LOC (13) Cl.** ..... **07-05**

(52) **U.S. Cl.**  
USPC ..... **D32/55**

(58) **Field of Classification Search**  
USPC ..... D6/525; D30/133; D32/55-59  
CPC ..... A47L 19/00; A47L 19/02; A47L 17/00;  
A47L 17/04; A47J 47/20; A47J 2201/00;  
A47J 47/00; B65D 35/02

bedbathandbeyond.com Joseph Joseph Stainless Steel Dish Rack  
<https://www.bedbathandbeyond.com/store/product/joseph-joseph-stainless-steel-dish-rack-in-grey/5470028> (Year: 2021).\*  
amazon.com Shanik Rust Proof Expendable Draining Rack [https://www.amazon.com/dp/B08244GTNG/ref=sspa\\_dk\\_detail\\_5](https://www.amazon.com/dp/B08244GTNG/ref=sspa_dk_detail_5) (Year: 2018).\*

See application file for complete search history.

\* cited by examiner

(56) **References Cited**

**U.S. PATENT DOCUMENTS**

D559,491 S \* 1/2008 Yang ..... D32/55  
D581,619 S \* 11/2008 Yang ..... D32/55  
D599,067 S \* 8/2009 Yang ..... D32/55  
D599,068 S \* 8/2009 Yang ..... D32/55  
D647,678 S \* 10/2011 Yang ..... D32/55  
D693,081 S \* 11/2013 Yang ..... D32/55  
D695,482 S \* 12/2013 Huang ..... D32/55  
D776,385 S \* 1/2017 Evans ..... D32/55  
D776,387 S \* 1/2017 Chen ..... D32/56  
D799,133 S \* 10/2017 Wong ..... D32/55  
D819,289 S \* 5/2018 Umholtz ..... D32/55  
D822,929 S \* 7/2018 Kim ..... D32/55  
D871,703 S \* 12/2019 Huang ..... D32/55  
D874,775 S \* 2/2020 Xie ..... D32/55  
D887,098 S \* 6/2020 Li ..... D32/55  
D914,312 S \* 3/2021 Cheng ..... D32/55  
D915,707 S \* 4/2021 Li ..... D32/55  
D921,316 S \* 6/2021 Zhou ..... D32/55  
D921,318 S \* 6/2021 Ling ..... D32/55

*Primary Examiner* — Kevin K Rudzinski  
*Assistant Examiner* — Richard E Yenchesky  
(74) *Attorney, Agent, or Firm* — Sandy Lipkin

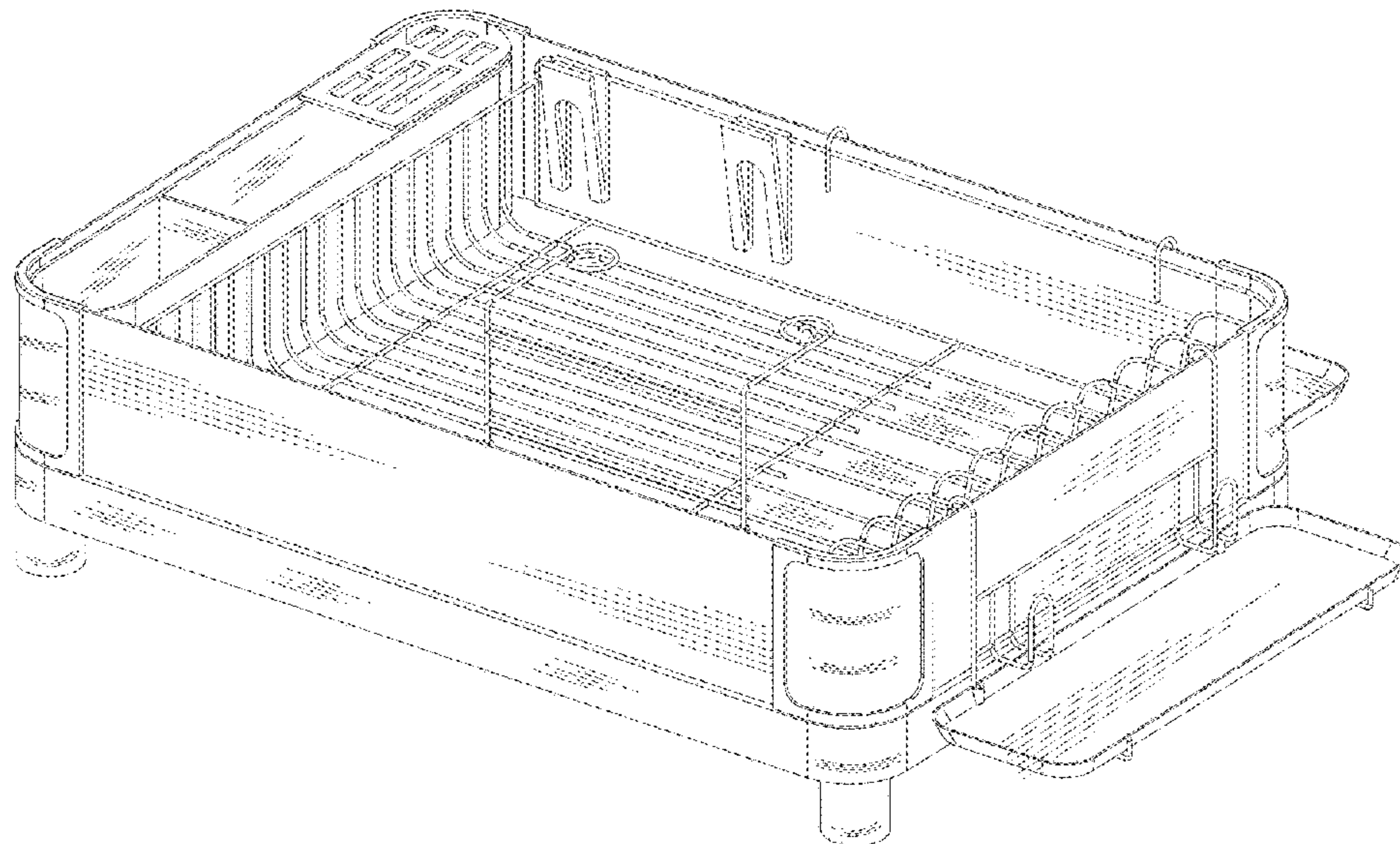
(57) **CLAIM**

The ornamental design for a dish rack, as shown and described.

**DESCRIPTION**

FIG. 1 is a front view of a dish rack, showing my new design;  
FIG. 2 is a top plan view thereof;  
FIG. 3 is a bottom plan view thereof;  
FIG. 4 is a rear plan view thereof;  
FIG. 5 is a left plan view thereof;  
FIG. 6 is a right plan view thereof; and,  
FIG. 7 is a perspective view thereof.

**1 Claim, 7 Drawing Sheets**



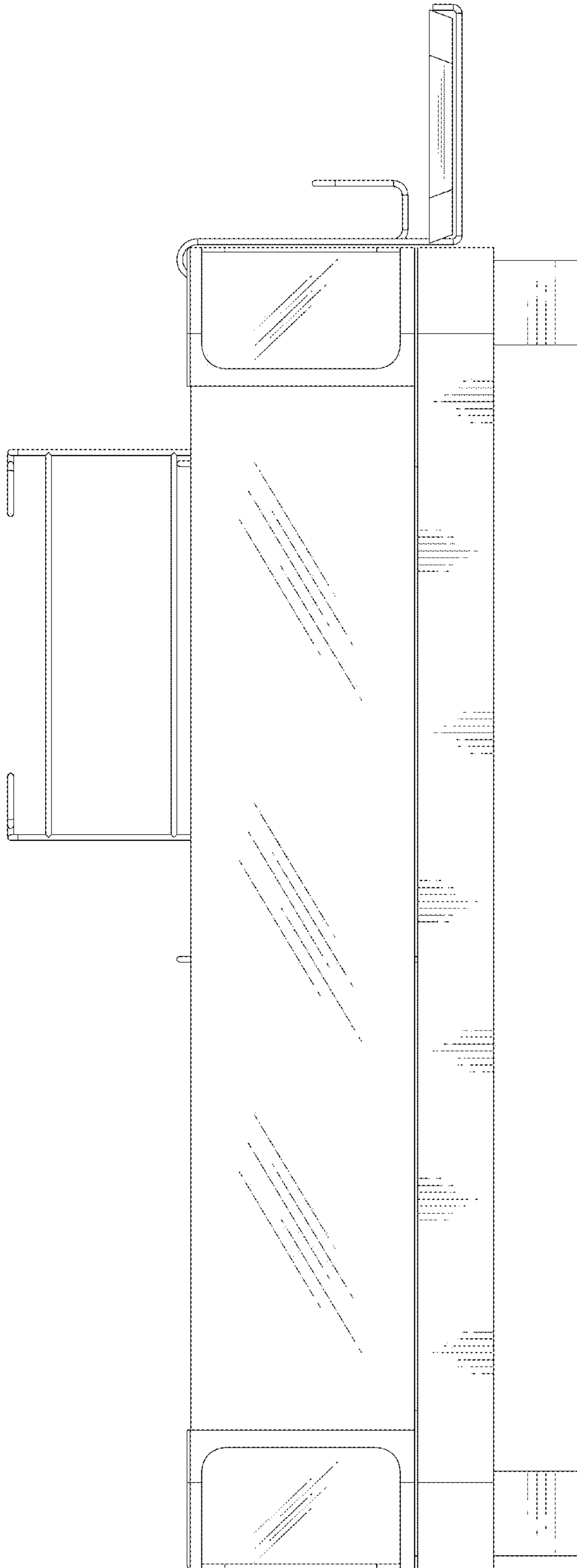


FIG. 1

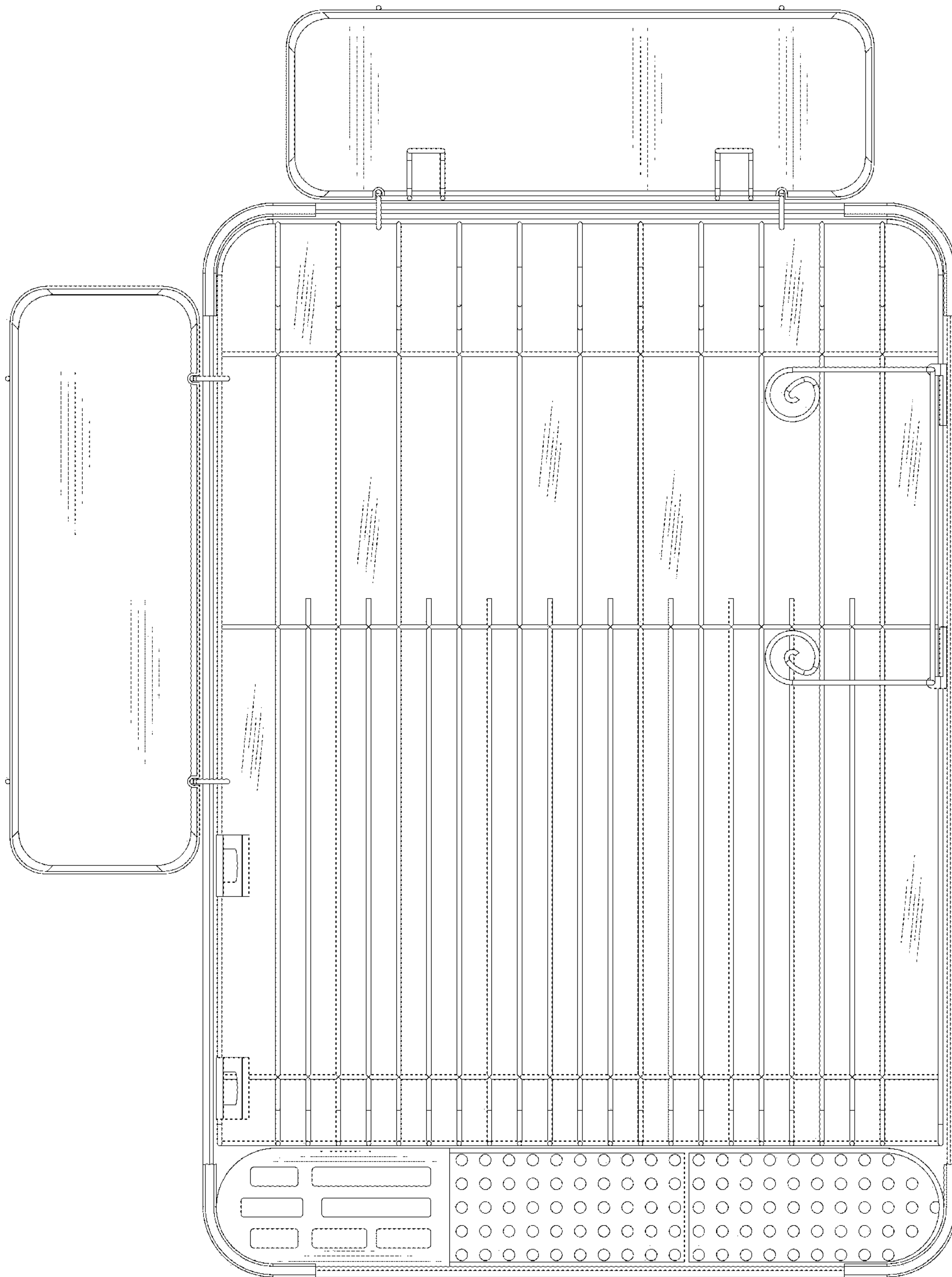


FIG. 2

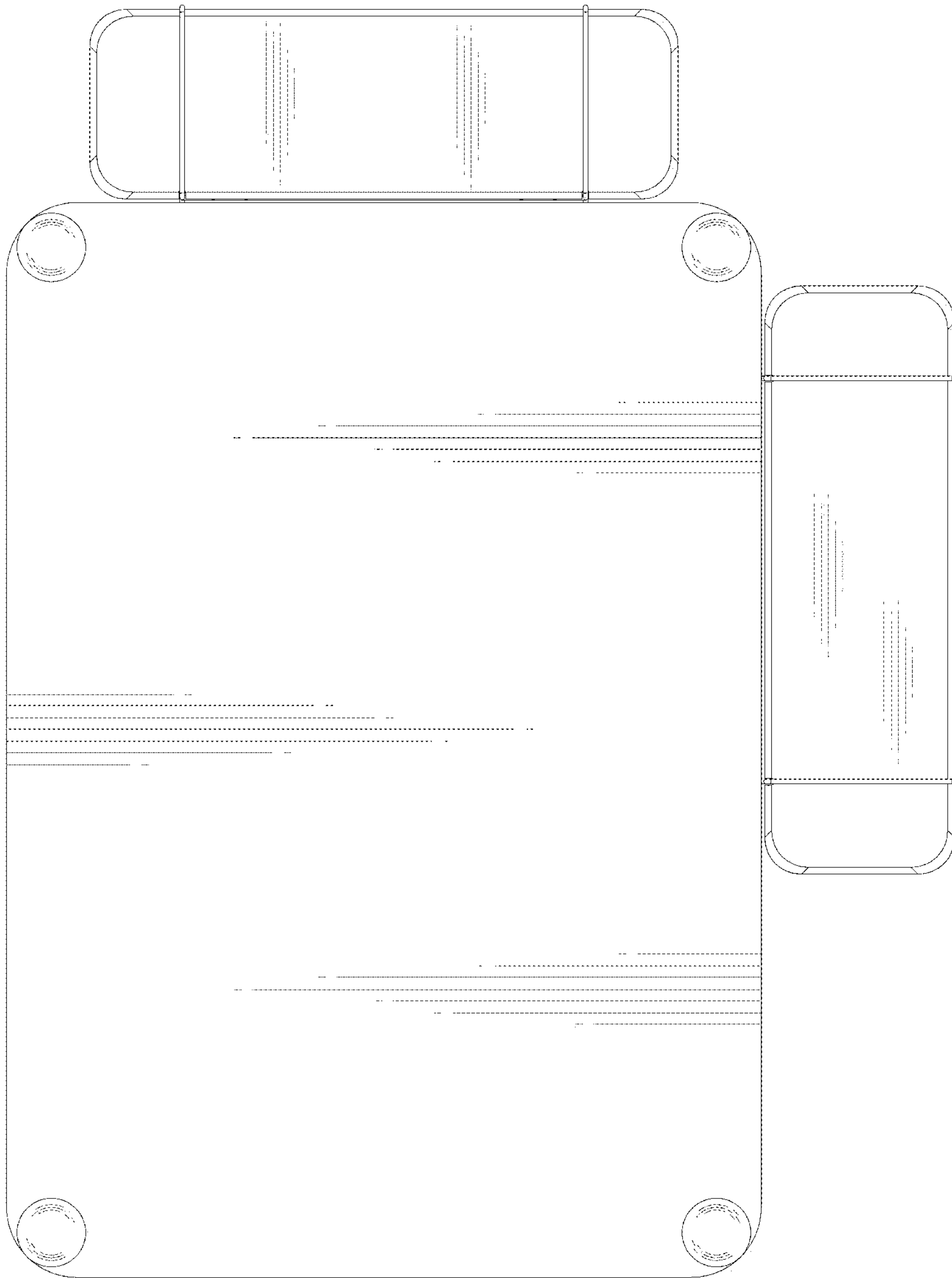


FIG. 3

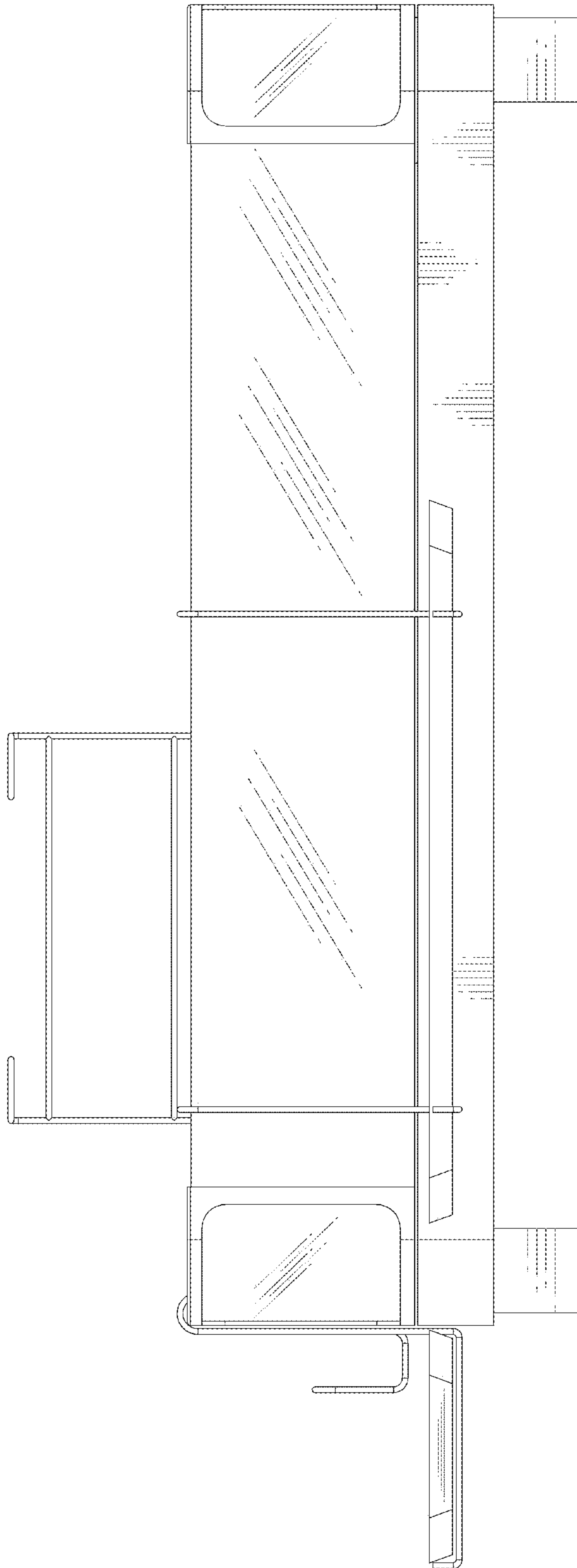


FIG. 4



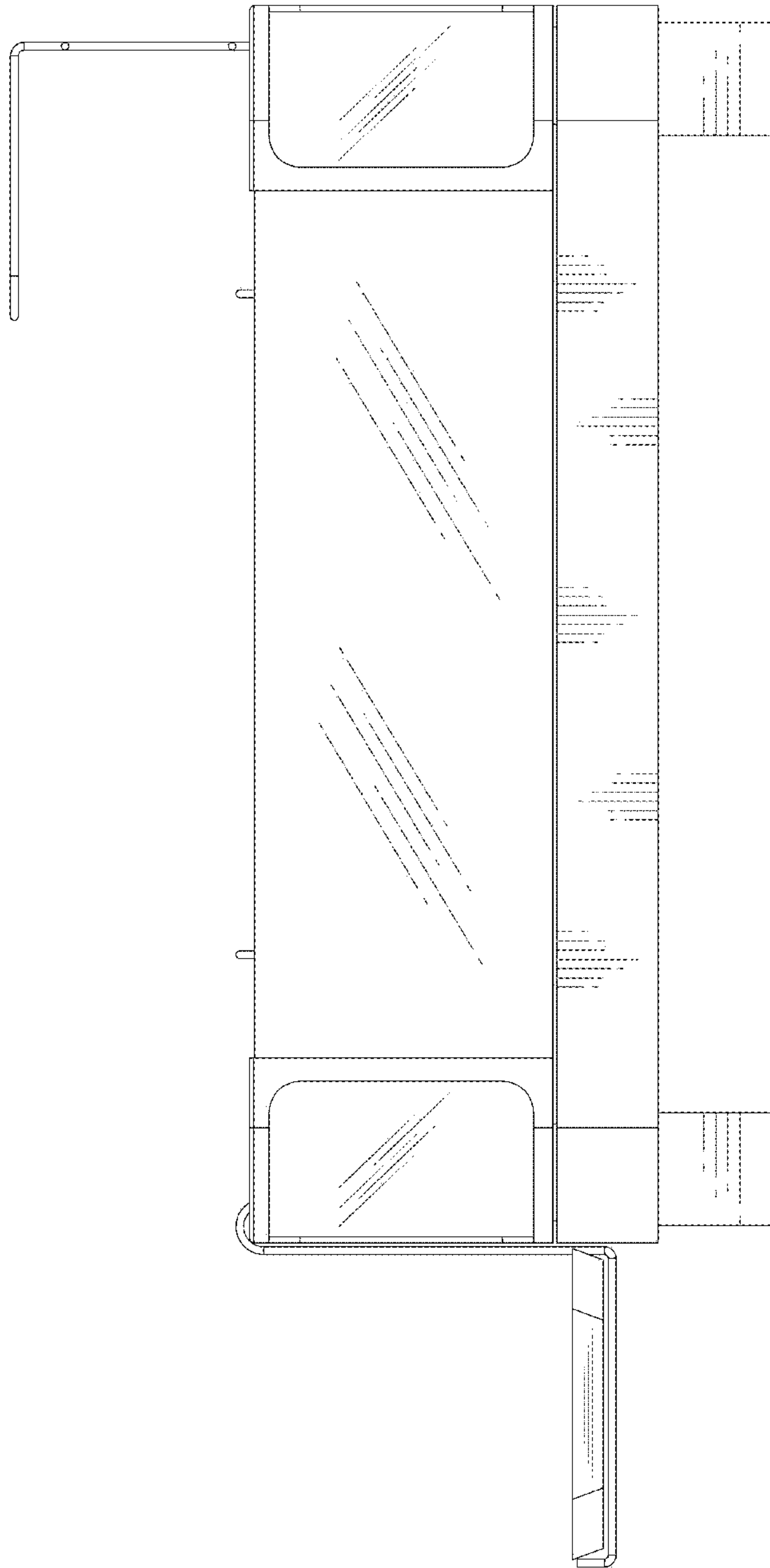


FIG. 5

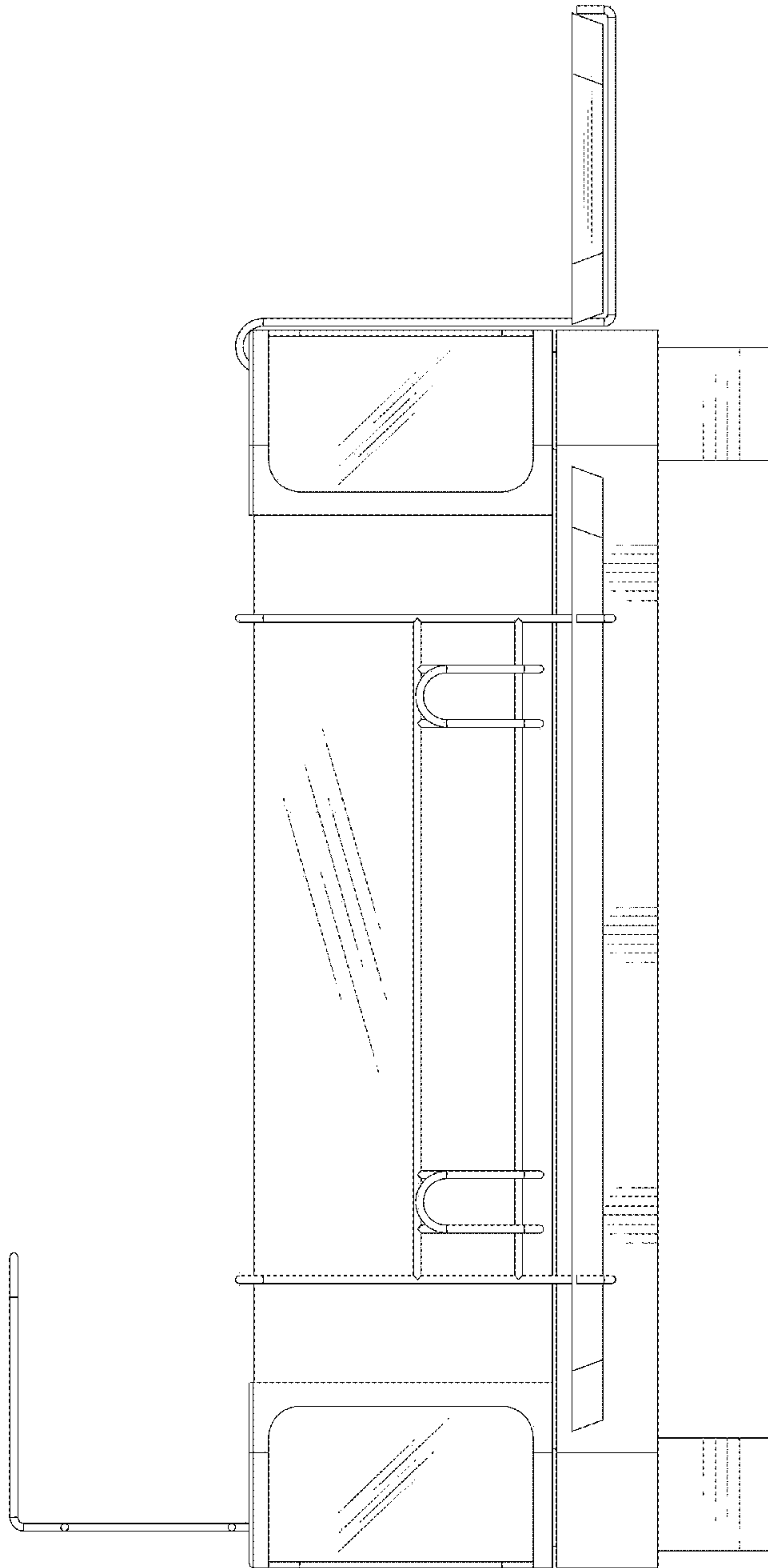


FIG. 6

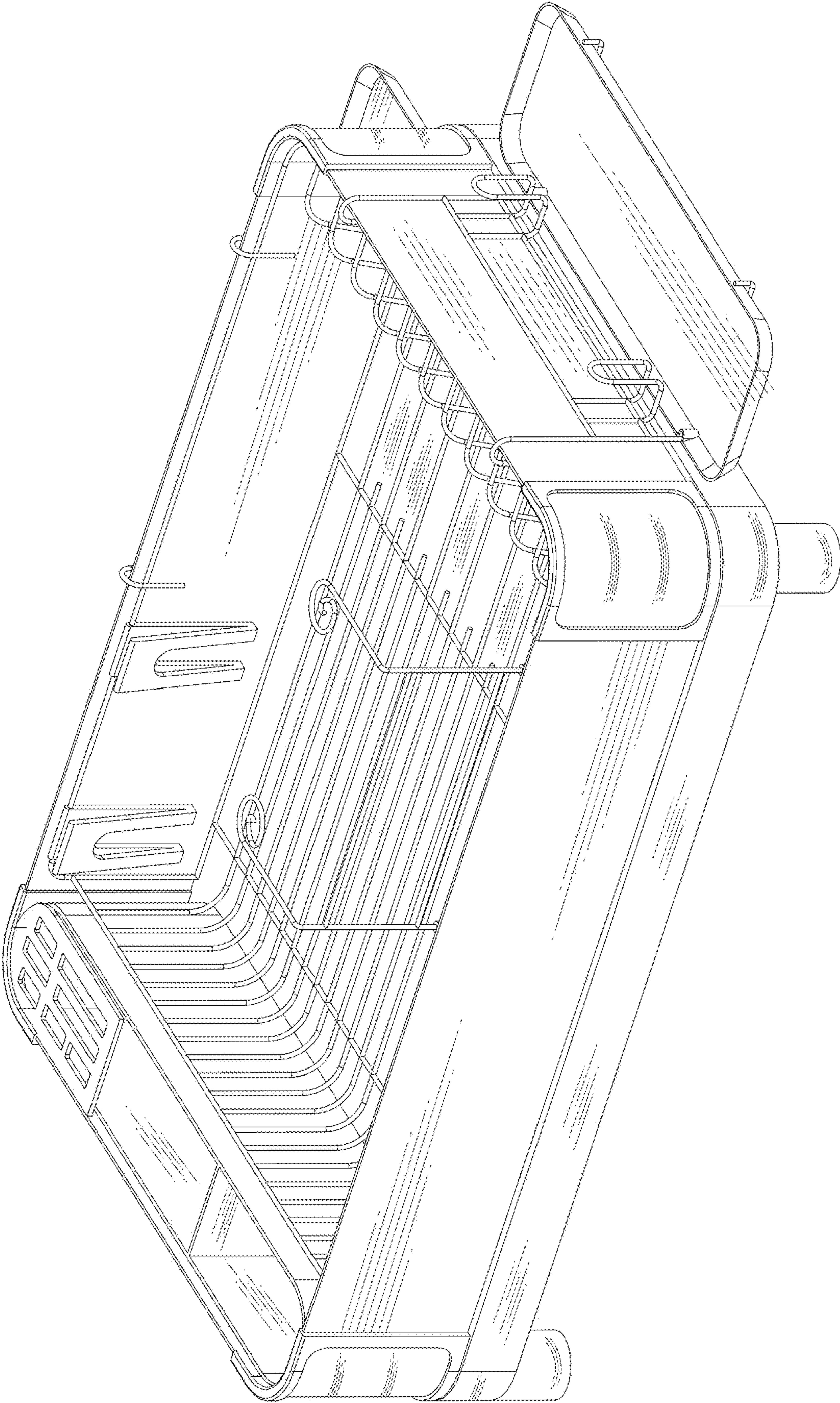


FIG. 7