



US00D961875S

(12) **United States Design Patent**
Oh et al.

(10) **Patent No.:** **US D961,875 S**
(45) **Date of Patent:** **** Aug. 23, 2022**

(54) **MOP BRUSH FOR CLEANER**

(71) Applicant: **SAMSUNG ELECTRONICS CO., LTD.**, Suwon-si (KR)

(72) Inventors: **Se-Wook Oh**, Suwon-si (KR);
Hyung-Sub Choi, Suwon-si (KR)

(73) Assignee: **SAMSUNG ELECTRONICS CO., LTD.**, Gyeonggi-Do (KR)

(**) Term: **15 Years**

(21) Appl. No.: **29/765,172**

(22) Filed: **Jan. 6, 2021**

(30) **Foreign Application Priority Data**

Sep. 2, 2020 (KR) 30-2020-0041532

(51) **LOC (13) Cl.** **15-05**

(52) **U.S. Cl.**
USPC **D32/45**

(58) **Field of Classification Search**
USPC D32/15-16, 31-32, 45, 50-52
(Continued)

(56) **References Cited**

U.S. PATENT DOCUMENTS

D673,337 S * 12/2012 Chow D32/45
D716,010 S * 10/2014 Howard D32/51
(Continued)

FOREIGN PATENT DOCUMENTS

CN 303395954 S 9/2015
CN 112741571 A * 5/2021
(Continued)

OTHER PUBLICATIONS

<https://www.tryfloorpolice.com/?mid=11971005&vendor=google&campaignid=14645255683&adgroupid=127215319597&targetid=>

pla-293946777986&mt=&network=g&device=c&adid=545646540459
&keyword=&adtype=pla&merchantid=495493388&productchannel=
online&productid=FloorPolice-01&placement=&gclid=Cj0KCQjwjN-
SBhCkARIsACsrBz6nDmvKw_Z.*

Primary Examiner — John R Yeh
(74) *Attorney, Agent, or Firm* — Cantor Colburn LLP

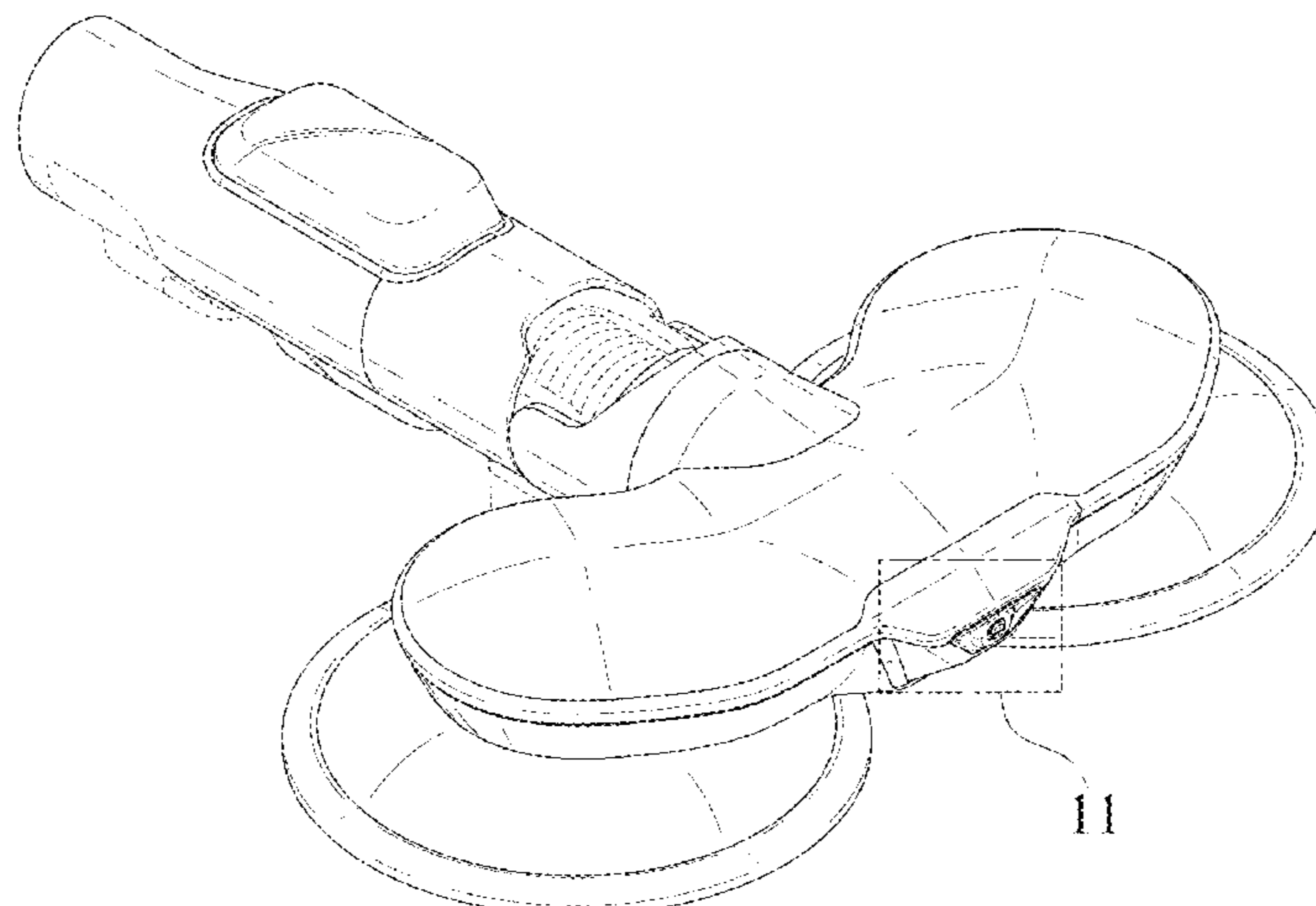
(57) **CLAIM**

The ornamental design for a mop brush for cleaner, as shown and described.

DESCRIPTION

FIG. 1 is a front perspective view of a mop brush for cleaner, showing our new design;
FIG. 2 is a front view thereof;
FIG. 3 is a rear view thereof;
FIG. 4 is a left-side view thereof;
FIG. 5 is a right-side view thereof;
FIG. 6 is a top view thereof;
FIG. 7 is a bottom view thereof;
FIG. 8 is another front perspective view in an environment of use;
FIG. 9 is another front perspective view in an environment of use;
FIG. 10 is an exploded view of FIG. 8 showing a water bottle of the mop brush separated from a main body thereof;
FIG. 11 is an enlarged view of the encircled portion 11 in FIG. 1;
FIG. 12 is an enlarged view of the encircled portion 12 in FIG. 2;
FIG. 13 is an enlarged view of the encircled portion 13 in FIG. 4;
FIG. 14 is an enlarged view of the encircled portion 14 in FIG. 7;
FIG. 15 is an enlarged view of the encircled portion 15 in FIG. 9; and,
FIG. 16 is an enlarged view of the encircled portion 16 in FIG. 10.

The even-dash broken lines illustrating portions of the mop brush form no part of the claimed design. The dot-dash
(Continued)



US D961,875 S

Page 2

broken lines encircling enlargement portions of the claimed design form no part of the claimed design.

1 Claim, 16 Drawing Sheets

(58) Field of Classification Search

CPC A47L 11/16; A47L 11/10; A47L 11/4038; A47L 11/4072

See application file for complete search history.

(56)

References Cited

U.S. PATENT DOCUMENTS

D825,120 S * 8/2018 Daniels D32/16
D838,420 S * 1/2019 Khubani D32/38
D855,271 S * 7/2019 Liang D32/50
D866,898 S * 11/2019 Tao D32/50
D882,895 S * 4/2020 Kim D32/33

D911,646 S * 2/2021 DeBeck D32/45
D912,920 S * 3/2021 Tao D32/15
2004/0034953 A1* 2/2004 Huang A47L 11/4069
15/98
2005/0251941 A1* 11/2005 Berhoff A46B 17/02
15/159.1
2018/0035858 A1* 2/2018 Jung A47L 11/4061
2018/0235425 A1* 8/2018 Ding A47L 11/4083
2019/0328193 A1* 10/2019 Yang A47L 7/0009
2021/0030229 A1* 2/2021 Jang A47L 11/4013

FOREIGN PATENT DOCUMENTS

CN 306512840 * 5/2021
CN 215457701 U * 1/2022
CN 307054761 * 1/2022
KR 300862743 S 7/2016
KR 301015888 S 7/2019
KR 301048284 S 2/2020
KR 301065372 S 6/2020
WO WO-2011005027 A2 * 1/2011 A47L 11/16

* cited by examiner

FIG. 1

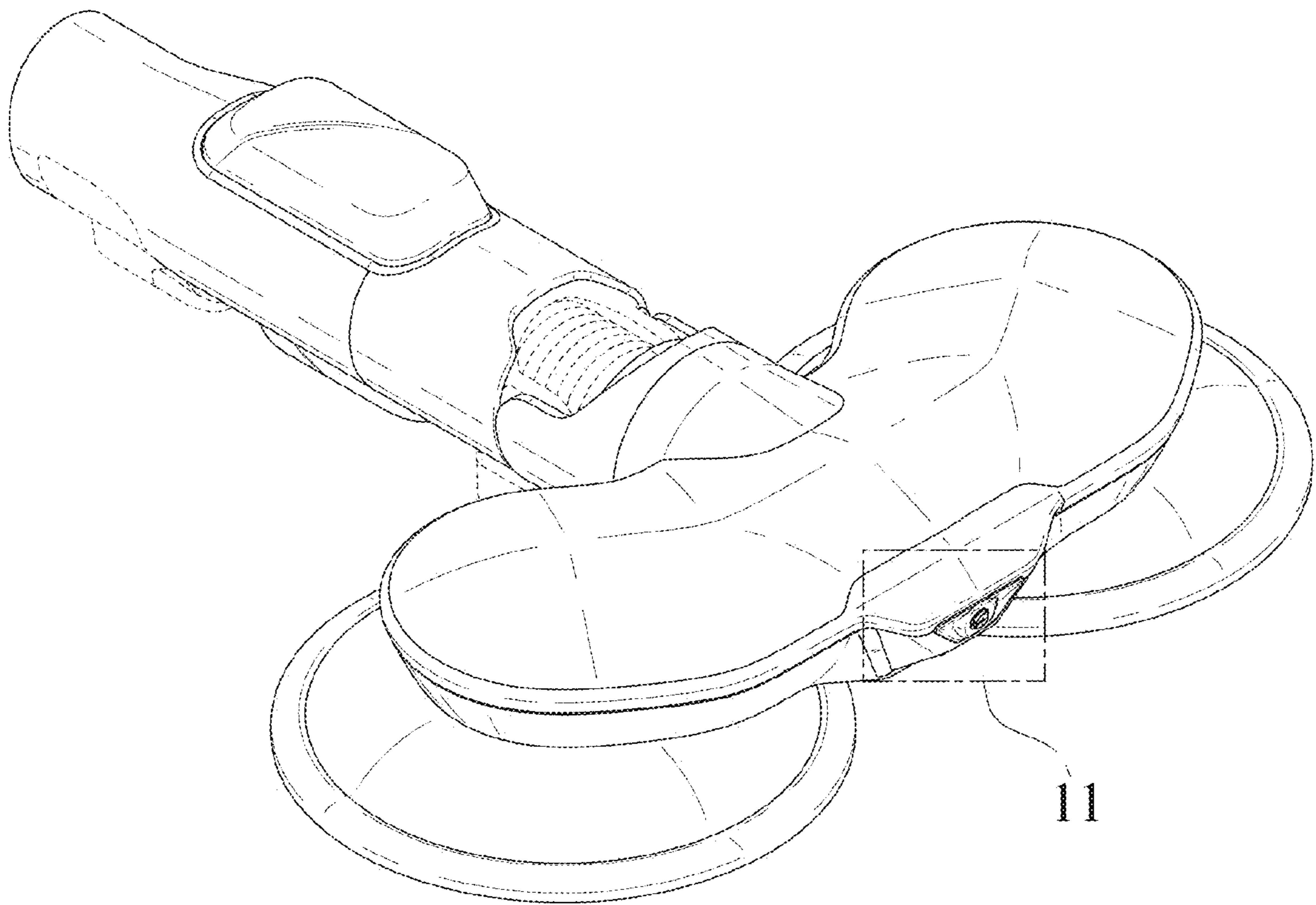


FIG. 2

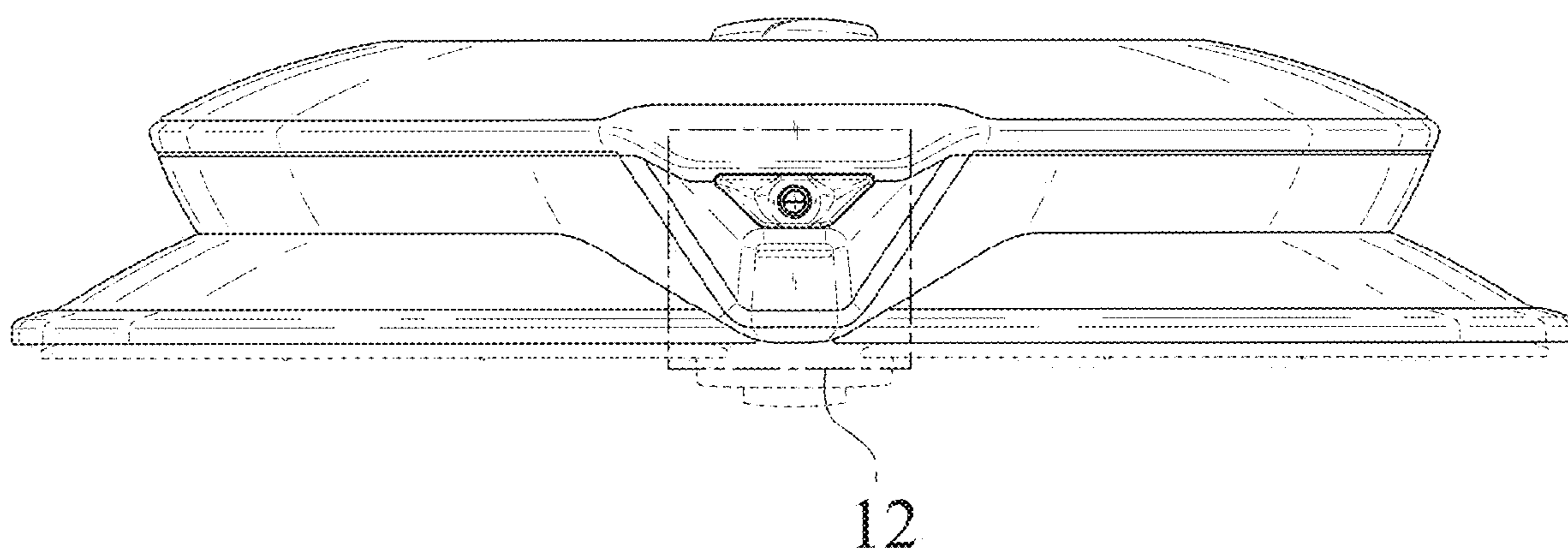


FIG. 3

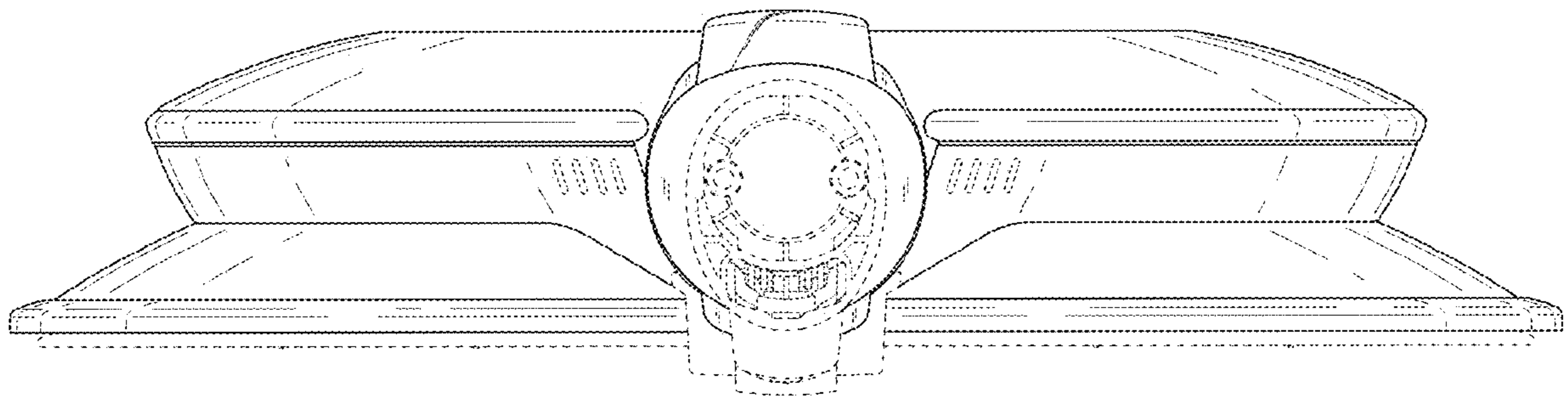


FIG. 4

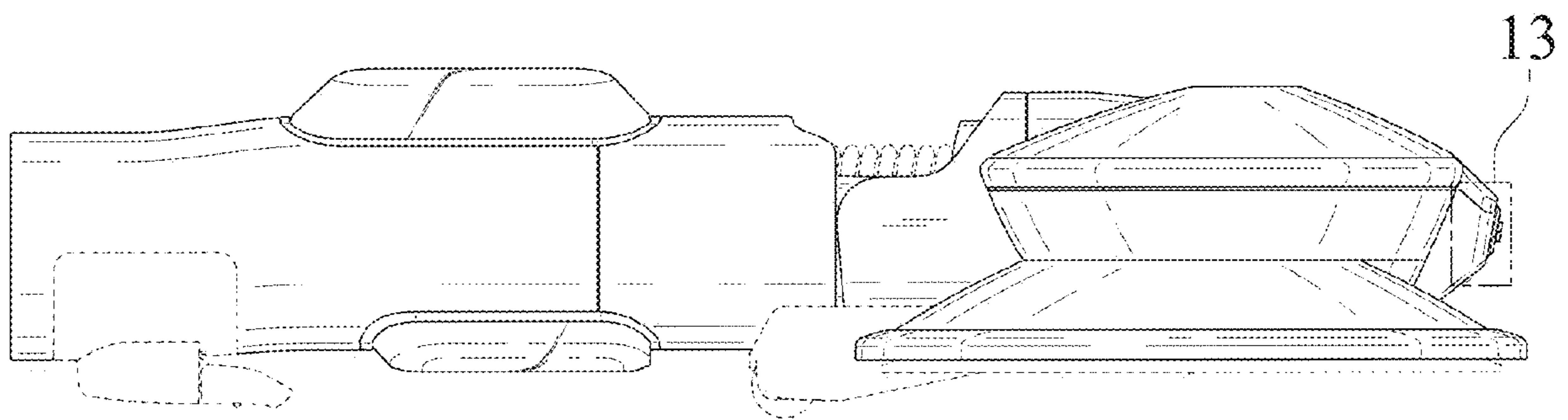


FIG. 5

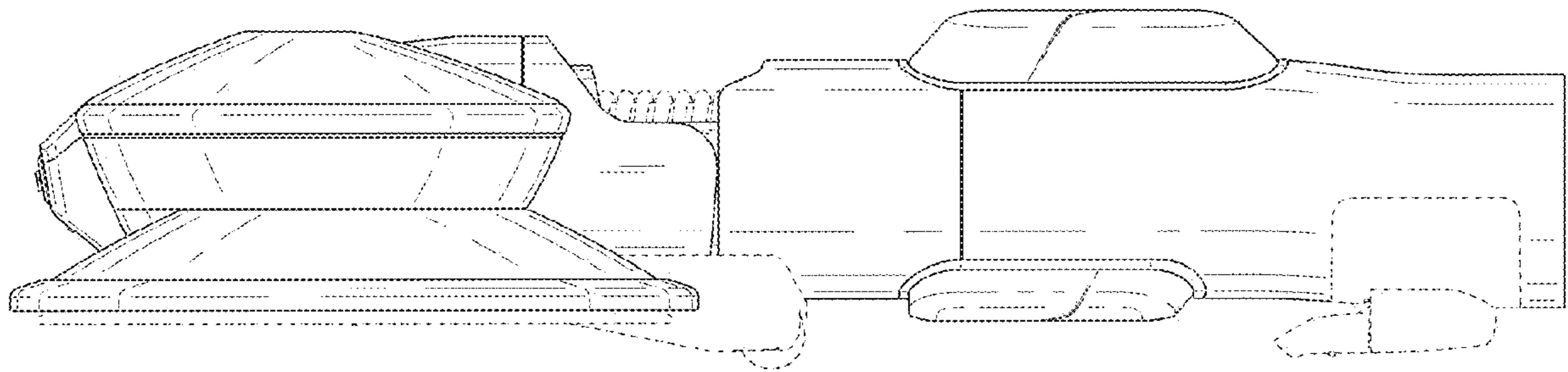


FIG. 6

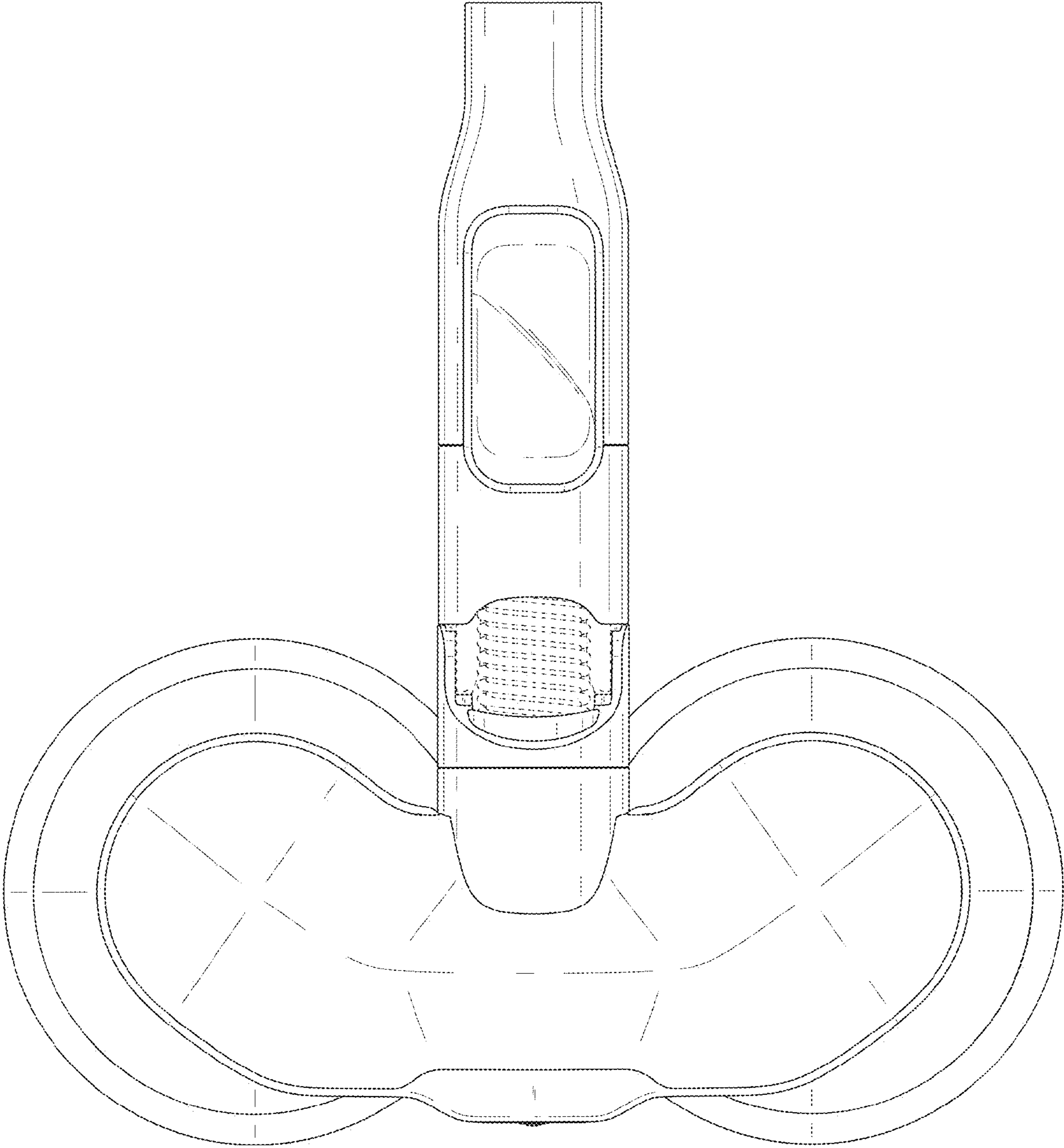


FIG. 7

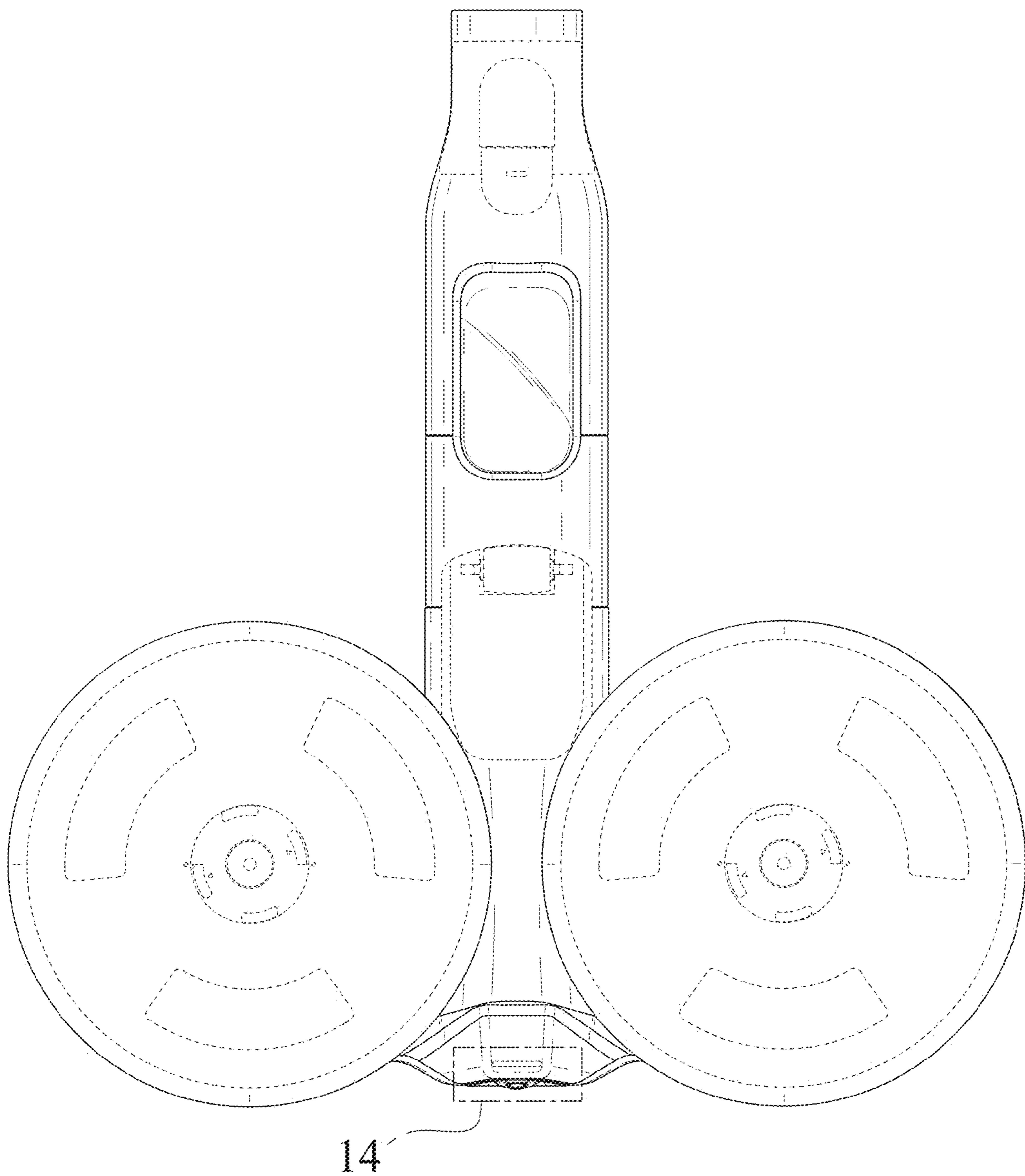


FIG. 8

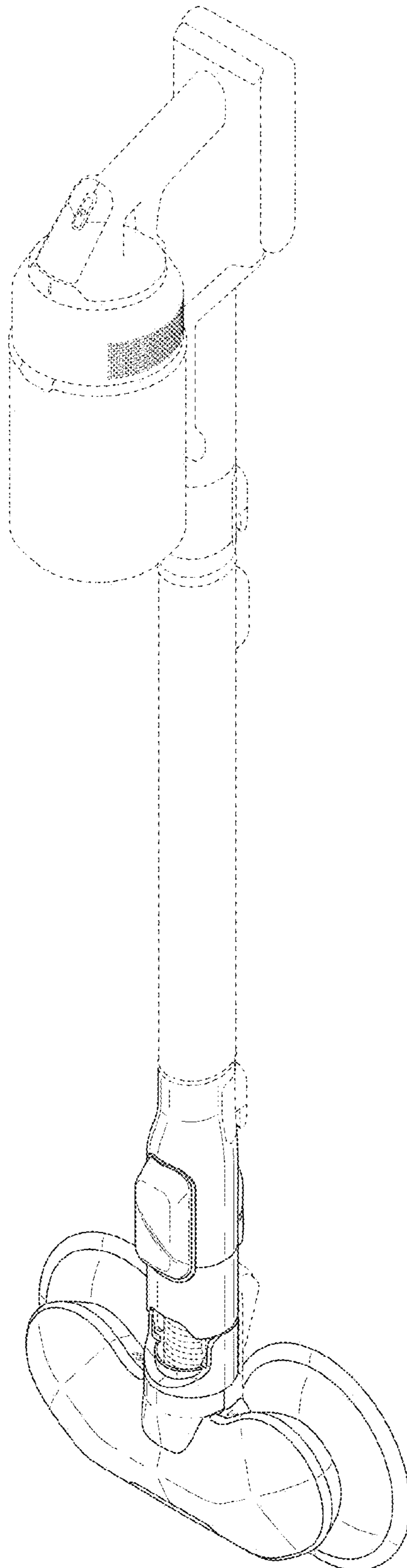


FIG. 9

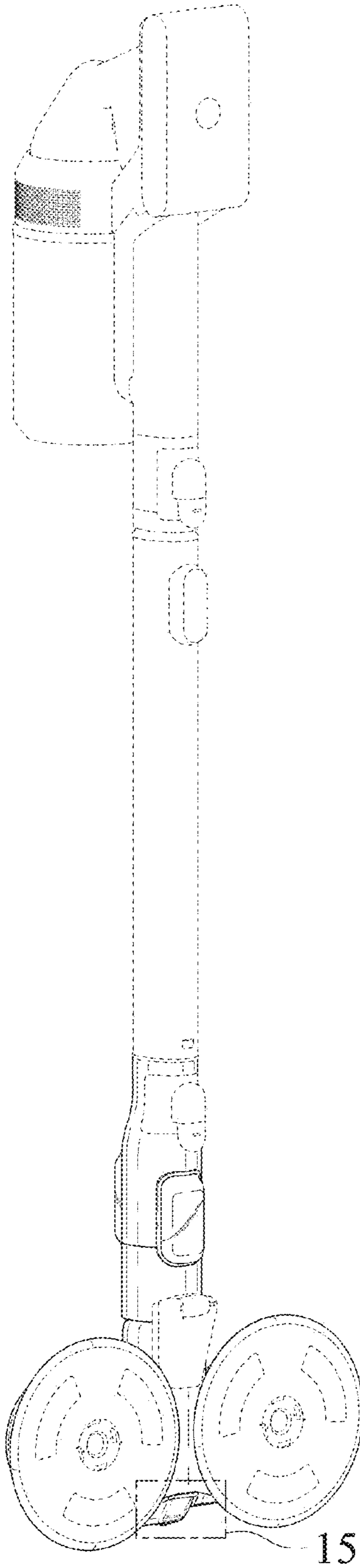


FIG. 10

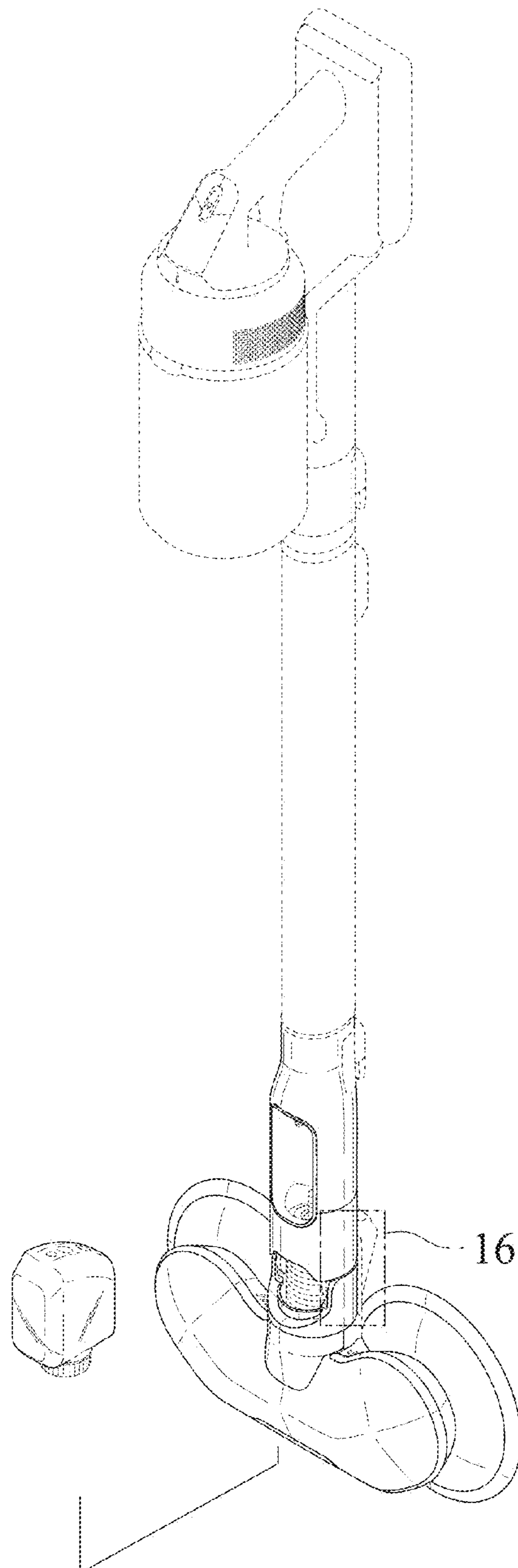


FIG. 11

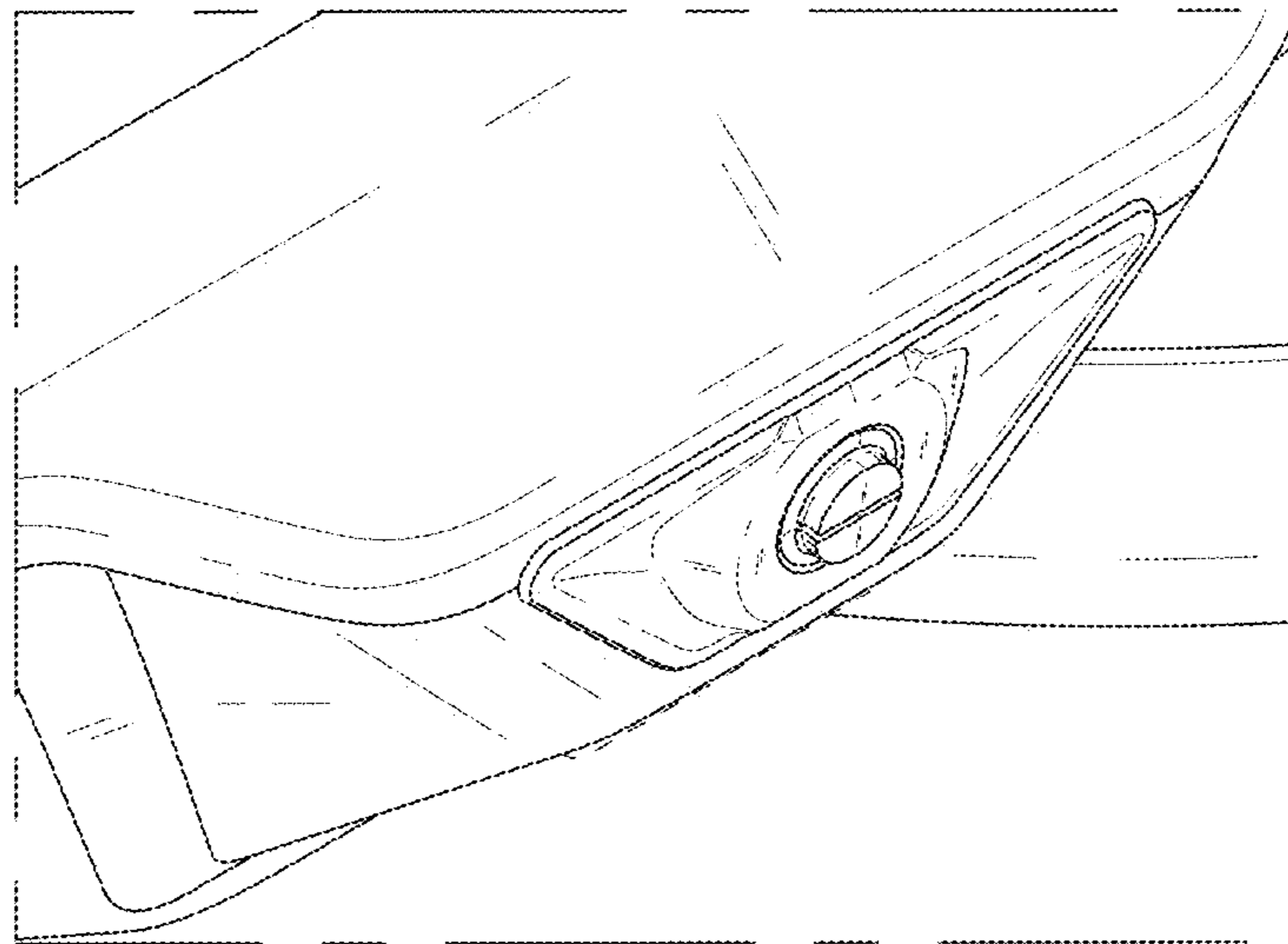


FIG. 12

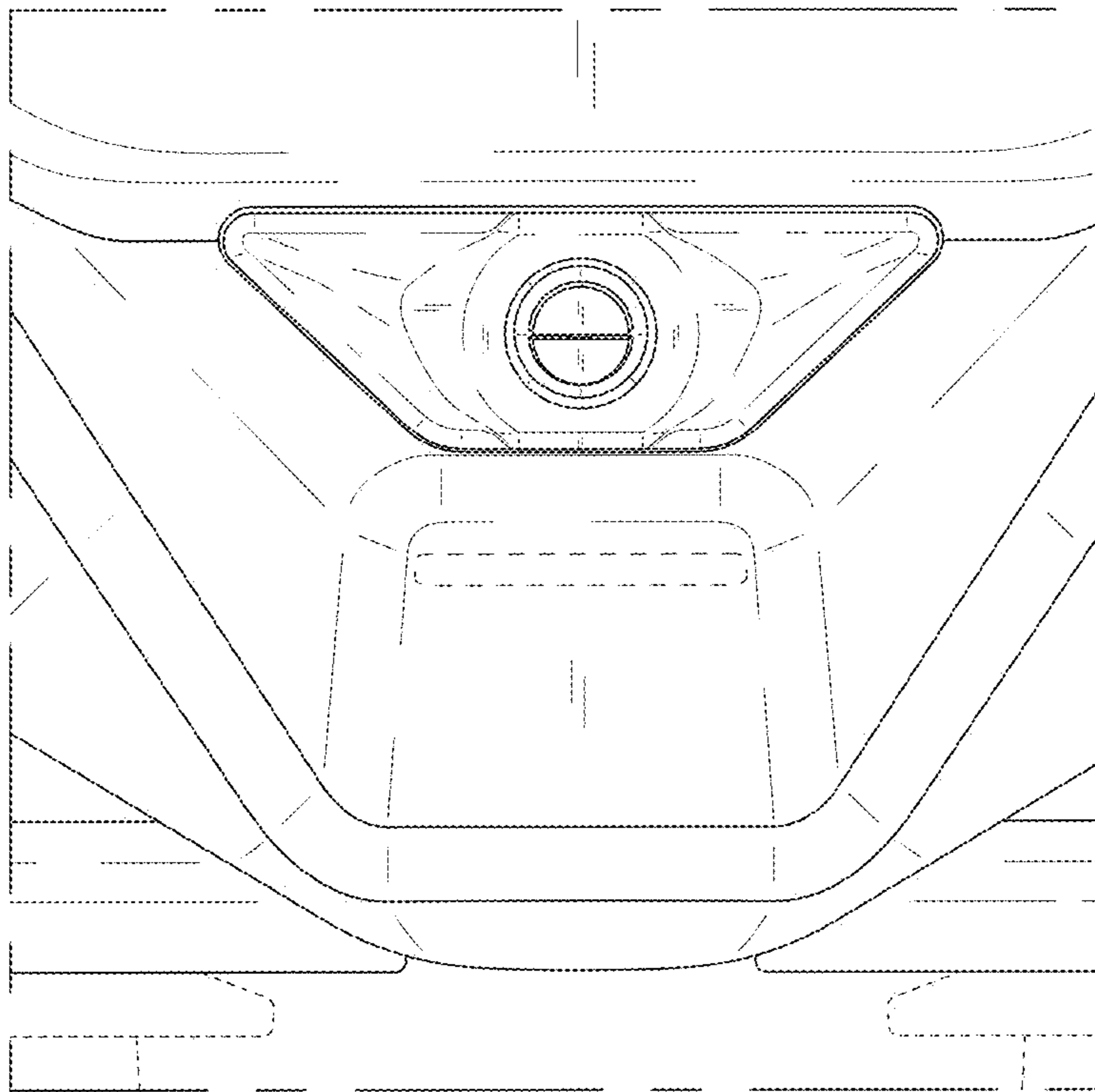


FIG. 13

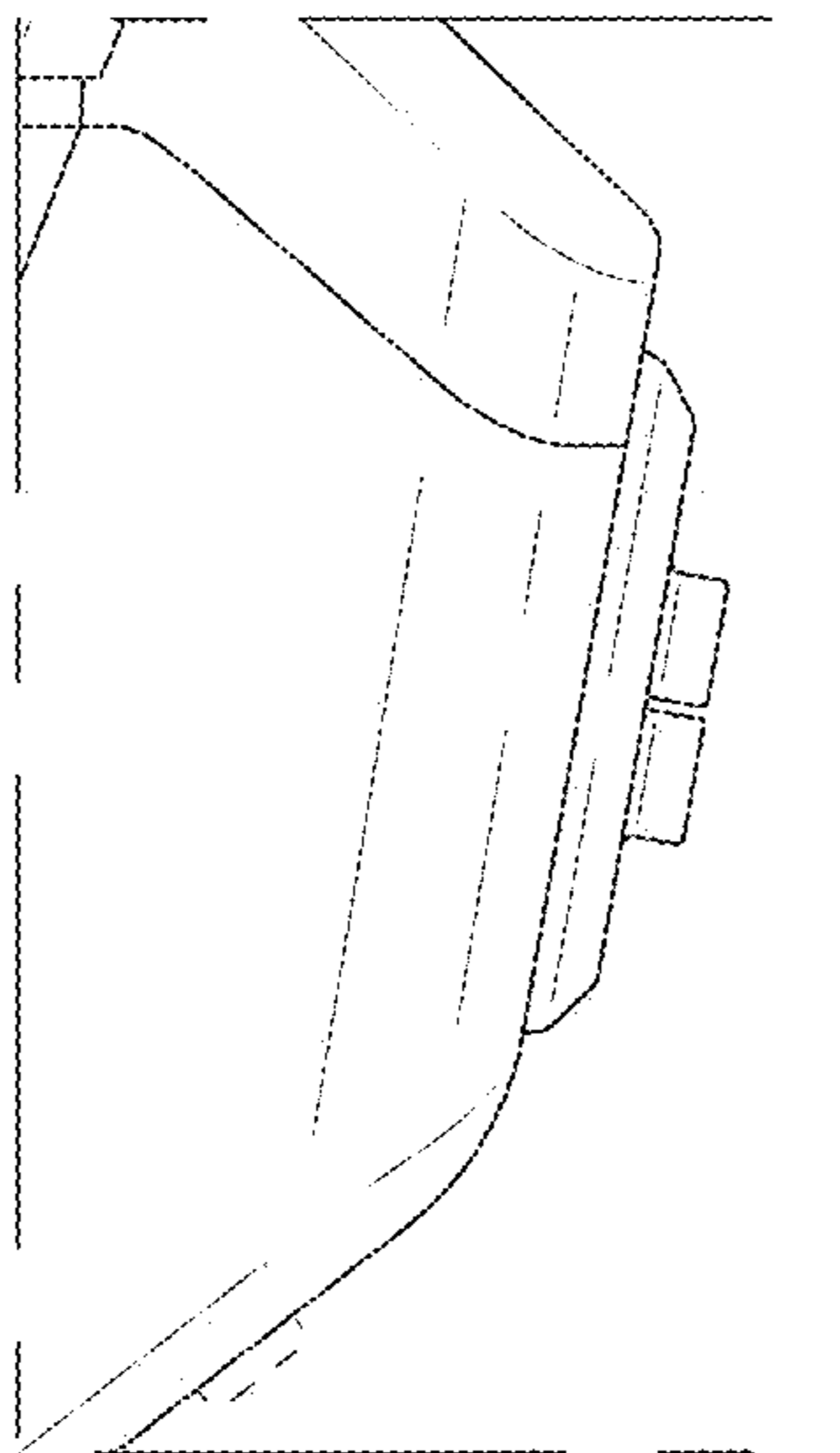


FIG. 14

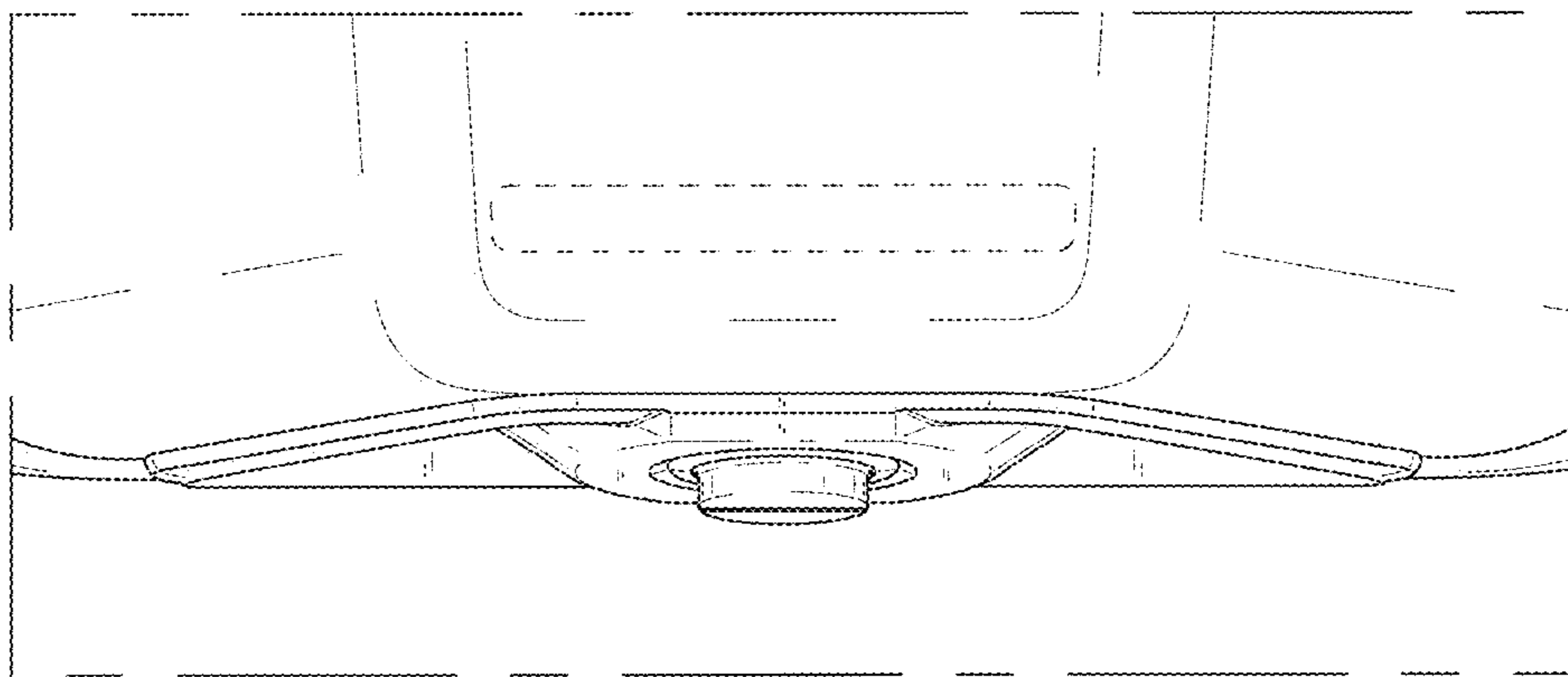


FIG. 15

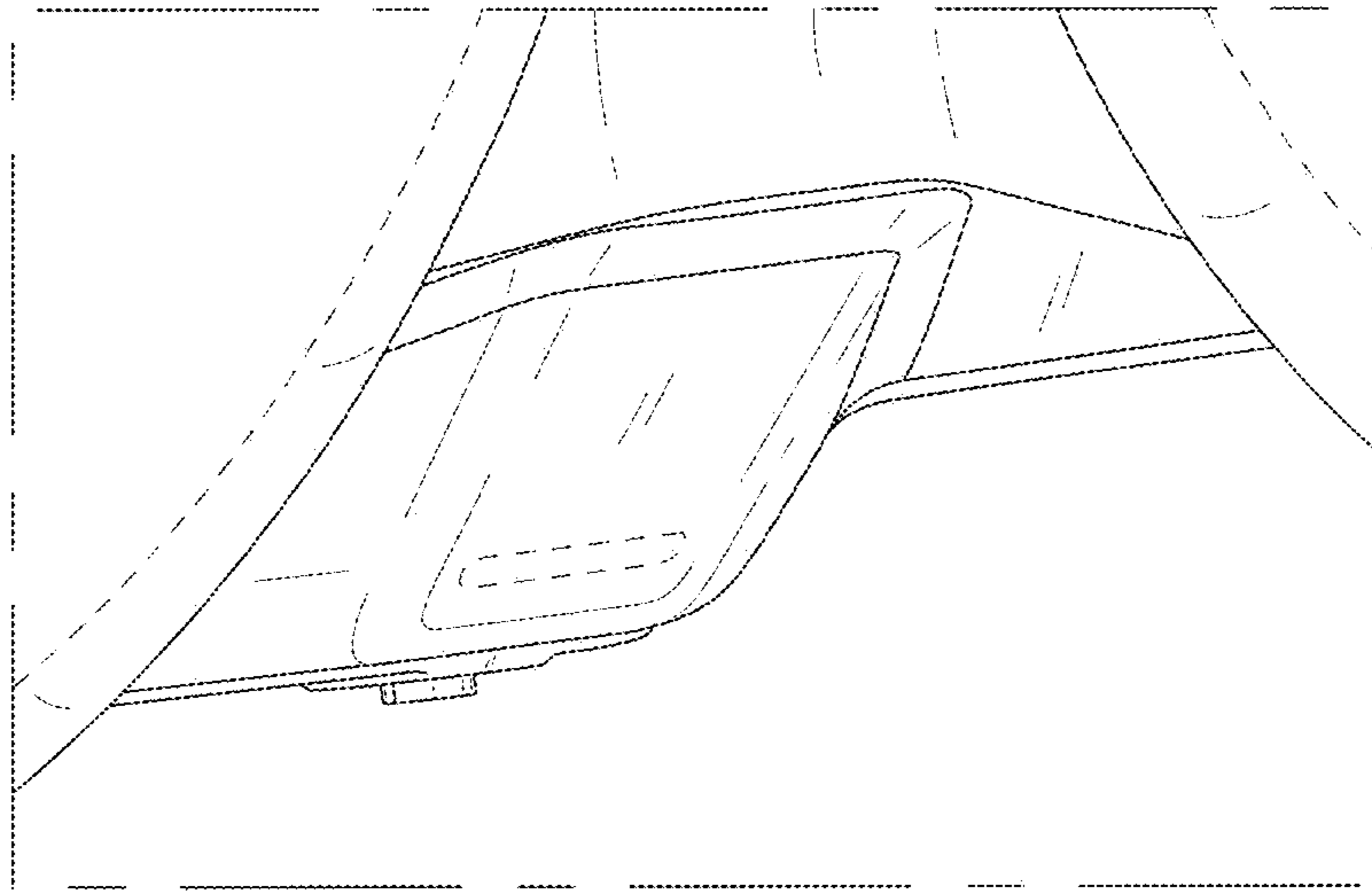


FIG. 16

