



US00D961872S

(12) **United States Design Patent**
Park et al.

(10) **Patent No.:** **US D961,872 S**
(45) **Date of Patent:** **** Aug. 23, 2022**

(54) **BRUSH FOR VACUUM CLEANER**

FOREIGN PATENT DOCUMENTS

(71) Applicant: **SAMSUNG ELECTRONICS CO., LTD.**, Suwon-si (KR)

EM 0040074900001 5/2017
EM 0043365010002 9/2017

(Continued)

(72) Inventors: **Gu-Yong Park**, Suwon-si (KR);
Hyoung-Sub Choi, Suwon-si (KR)

OTHER PUBLICATIONS

(73) Assignee: **SAMSUNG ELECTRONICS CO., LTD.**, Gyeonggi-Do (KR)

<https://www.rtings.com/vacuum/reviews/samsung/jet-90-complete>, RTINGS website review 2021, site visited Apr. 18, 2021.*

(**) Term: **15 Years**

Primary Examiner — John R Yeh

(21) Appl. No.: **29/765,184**

(74) *Attorney, Agent, or Firm* — Cantor Colburn LLP

(22) Filed: **Jan. 6, 2021**

(57) **CLAIM**

The ornamental design for a brush for vacuum cleaner, as shown and described.

(30) **Foreign Application Priority Data**

DESCRIPTION

Sep. 2, 2020 (KR) 30-2020-0041530

(51) **LOC (13) Cl.** **15-05**

(52) **U.S. Cl.**
USPC **D32/32**

(58) **Field of Classification Search**
USPC D32/15-16, 18-19, 20-21, 31-32, 45,
D32/50-52; D4/102, 135
CPC A47L 11/16; A47L 11/10; A47L 11/4038;
A47L 11/4072

See application file for complete search history.

FIG. 1 is a front perspective view of a brush for vacuum cleaner, showing our new design;
FIG. 2 is a front view thereof;
FIG. 3 is a rear view thereof;
FIG. 4 is a left-side view thereof;
FIG. 5 is a right-side view thereof;
FIG. 6 is a top view thereof;
FIG. 7 is a bottom view thereof;
FIG. 8 is another front perspective view in an environment of use;
FIG. 9 is another front perspective view in an environment of use;
FIG. 10 is an enlarged view of the encircled portion 10 in FIG. 4;
FIG. 11 is an enlarged view of the encircled portion 11 in FIG. 5; and,
FIG. 12 is an enlarged view of the encircled portion 12 in FIG. 8.

(56) **References Cited**

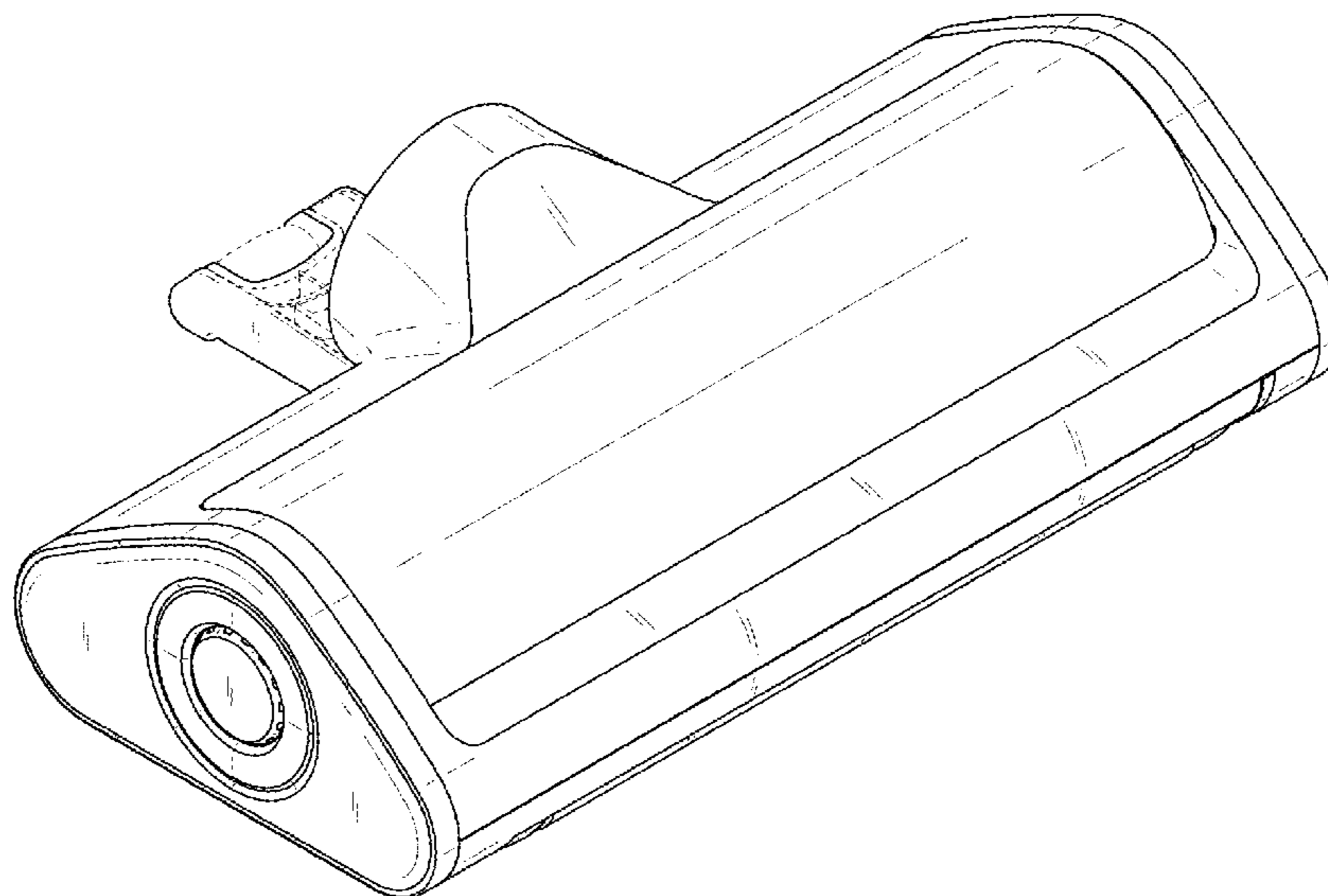
U.S. PATENT DOCUMENTS

D318,542 S * 7/1991 Funatsu D32/32
D476,121 S * 6/2003 Hammond D32/32
D510,466 S * 10/2005 Rosenzweig D32/32
D515,756 S * 2/2006 Allard D32/32
D554,815 S * 11/2007 Harper D32/40
D621,108 S * 8/2010 Santiago D32/32
D718,913 S * 12/2014 Ashbee D32/32

(Continued)

The even-dash broken lines illustrating portions of the brush for vacuum cleaner form no part of the claimed design. The dot-dash broken lines encircling enlargement portions of the claimed design form no part of the claimed design.

1 Claim, 12 Drawing Sheets



(56)

References Cited

U.S. PATENT DOCUMENTS

| | | | | | |
|------------|---|---------|--------------|-------|--------|
| D770,109 S | * | 10/2016 | Chu, Jr. | | D32/32 |
| D781,014 S | * | 3/2017 | Wu | | D32/32 |
| D869,802 S | * | 12/2019 | Hribar-Green | | D32/32 |
| D910,948 S | * | 2/2021 | Haverkamp | | D32/32 |
| D927,809 S | * | 8/2021 | Kim | | D32/32 |
| D948,823 S | * | 4/2022 | Dodgson | | D32/32 |

FOREIGN PATENT DOCUMENTS

| | | | |
|----|--------------|---|---------|
| HK | 1001940-0001 | * | 12/2010 |
| KR | 300752700 S | | 7/2014 |
| KR | 300834643 S | | 1/2016 |
| KR | 301015891 S | | 7/2019 |

* cited by examiner

FIG. 1

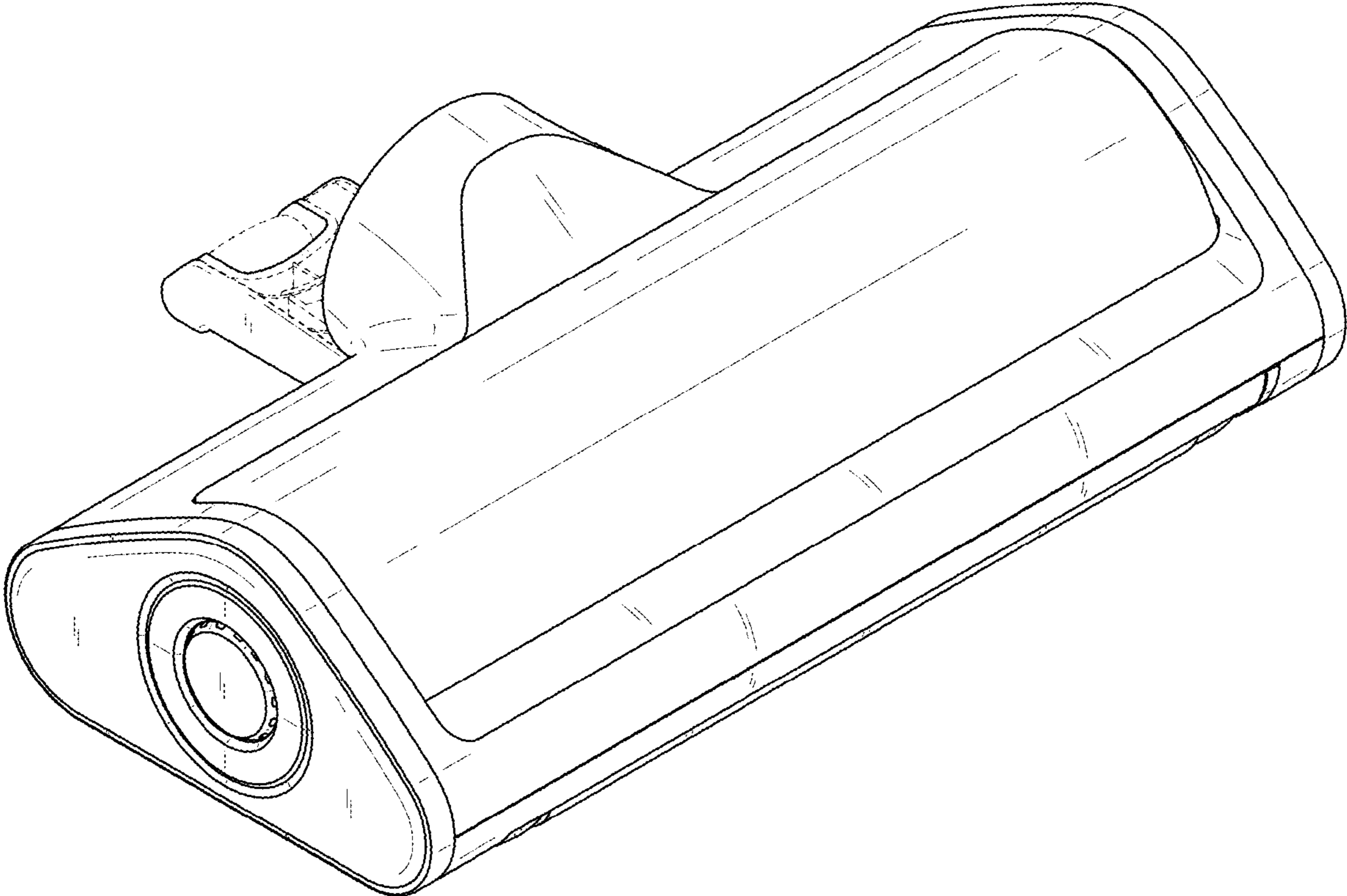


FIG. 2

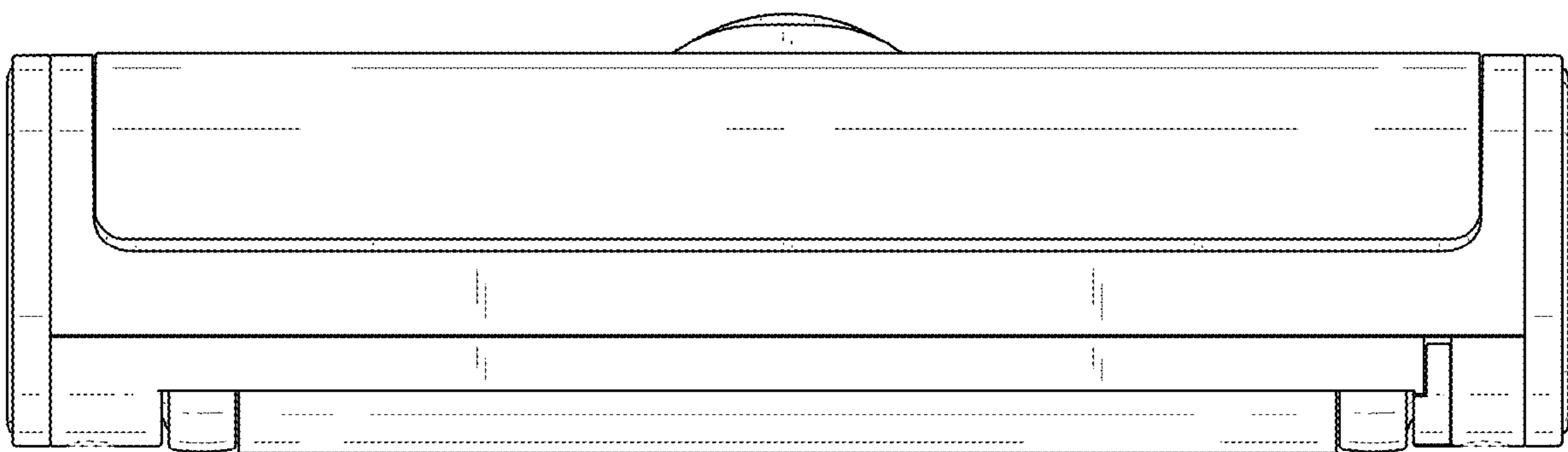


FIG. 3

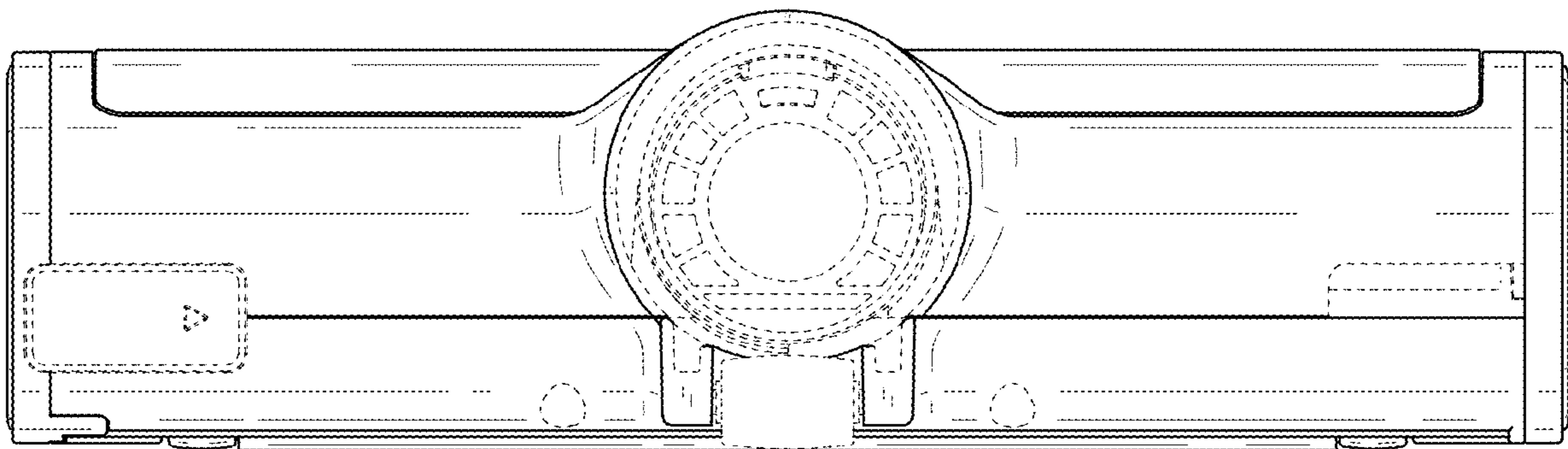


FIG. 4

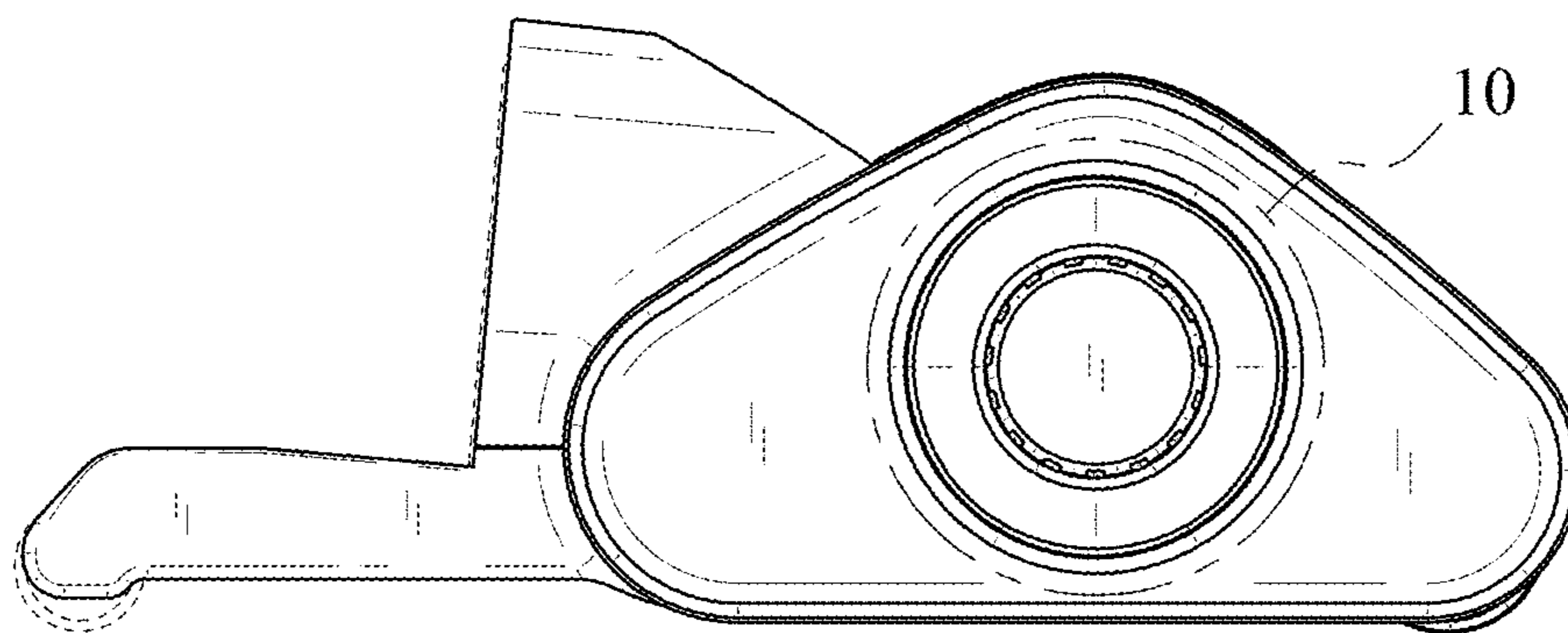


FIG. 5

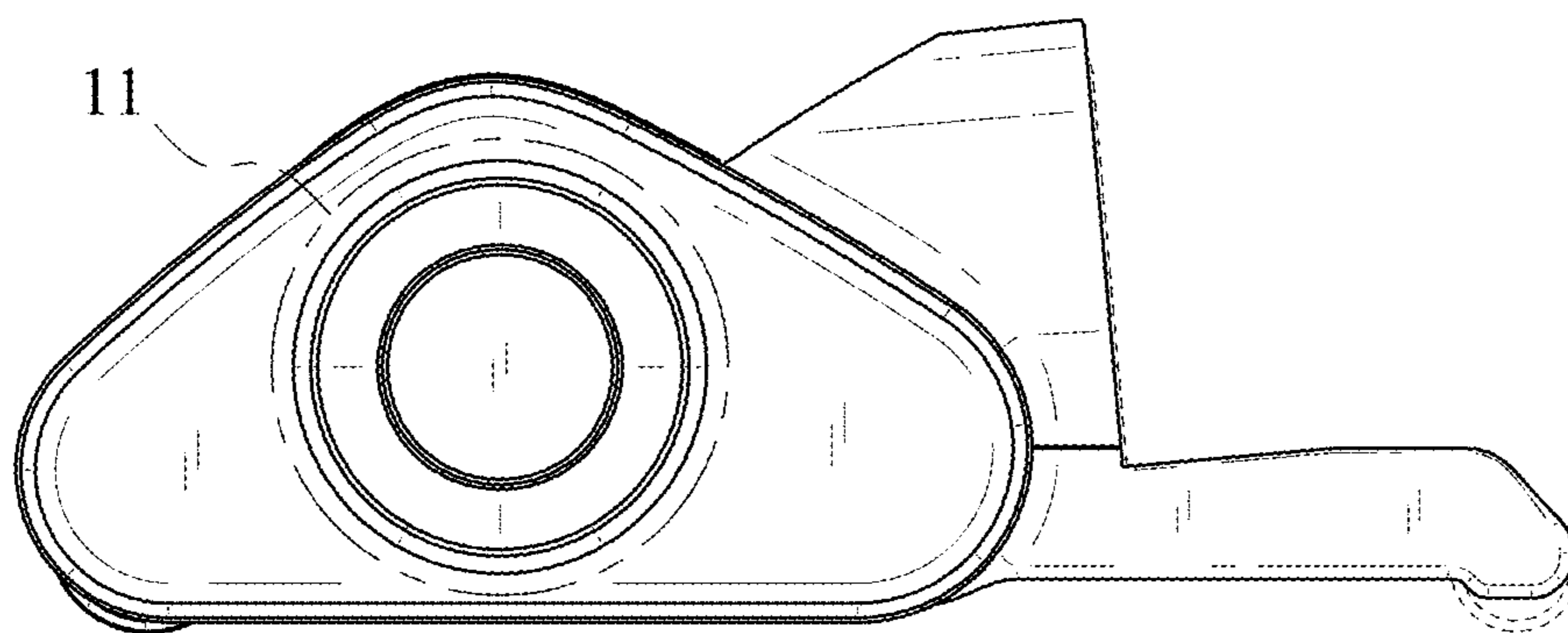


FIG. 6

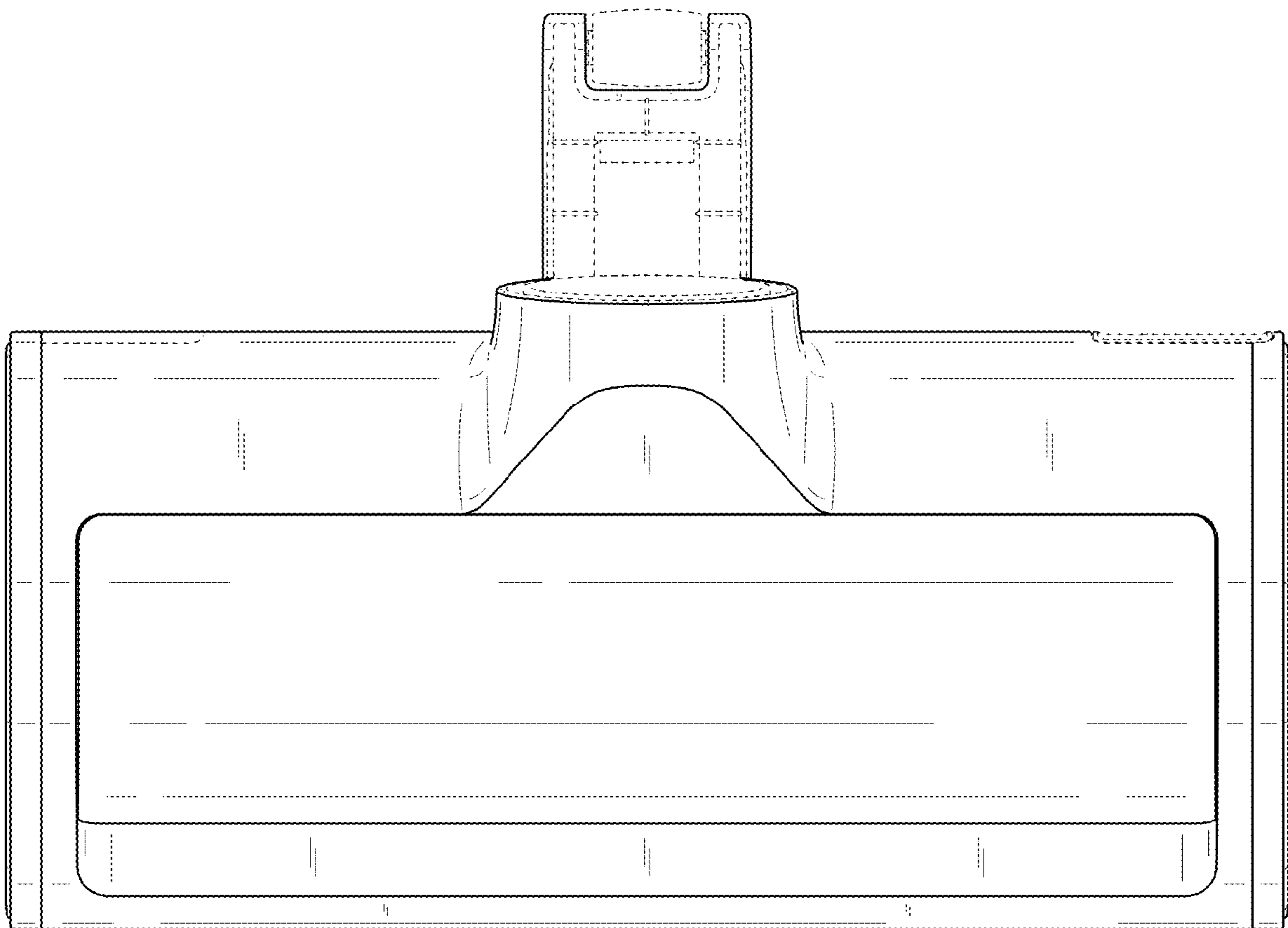


FIG. 7

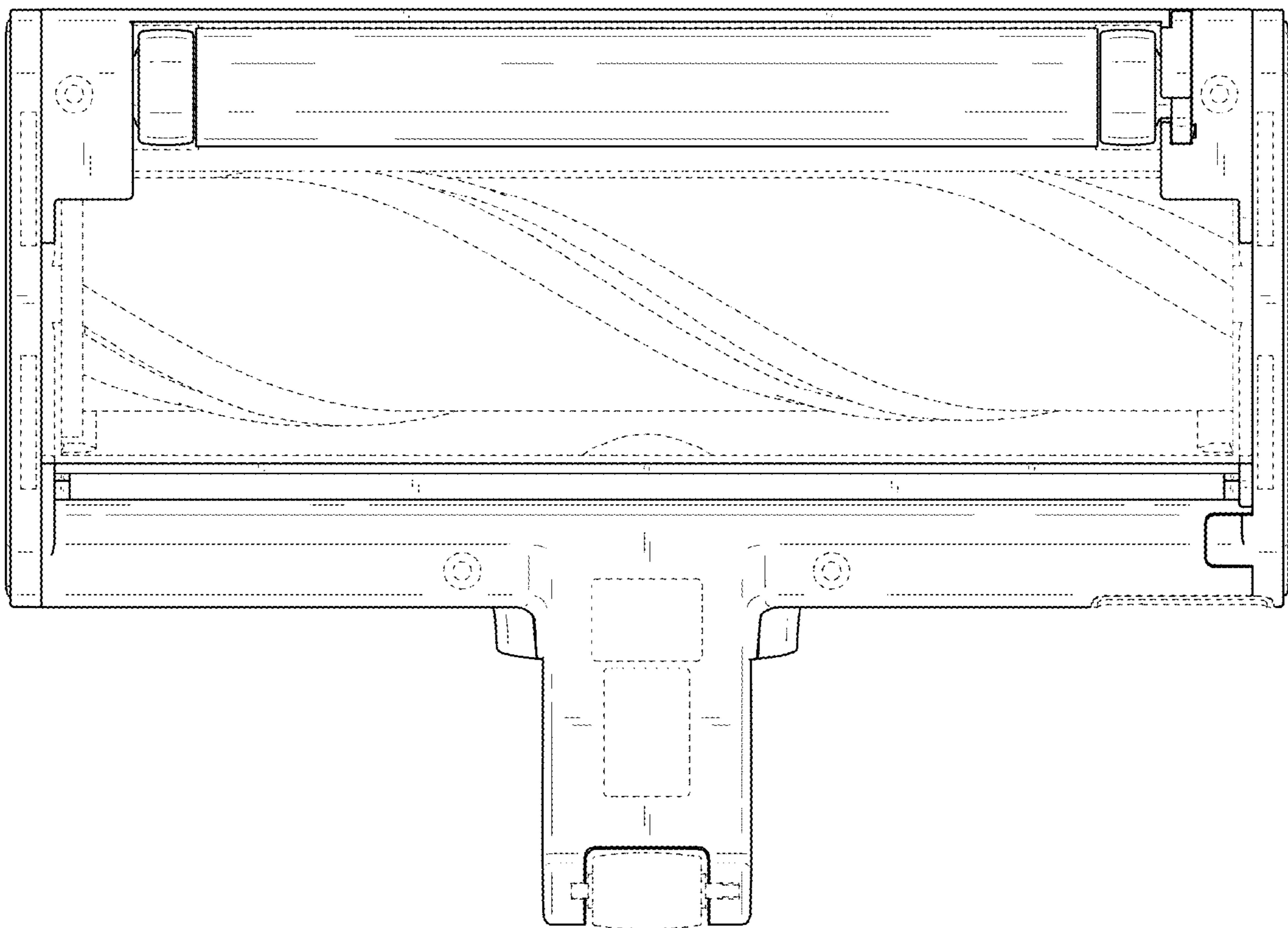


FIG. 8

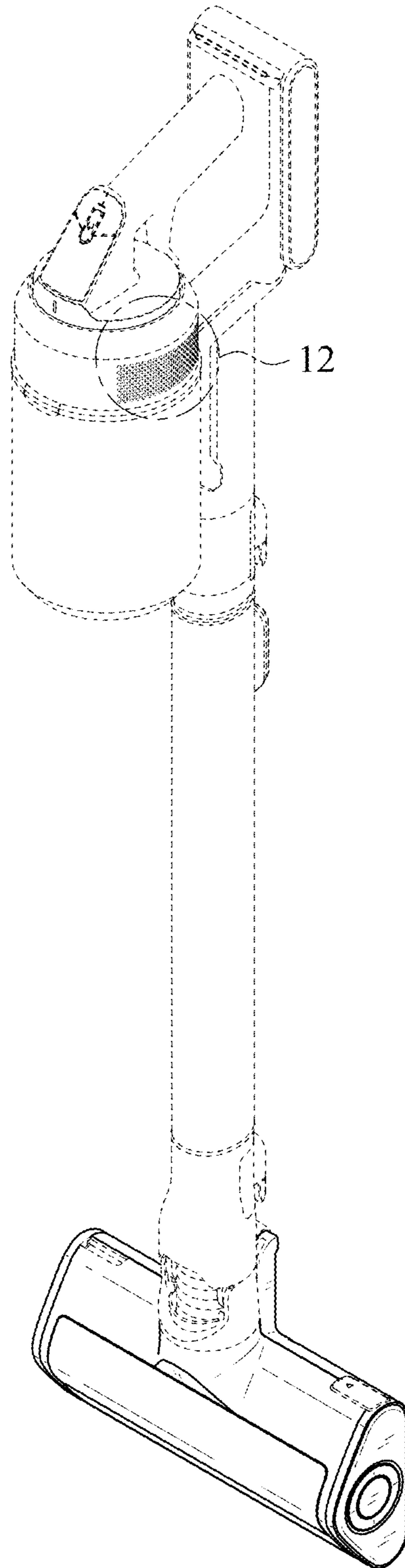


FIG. 9

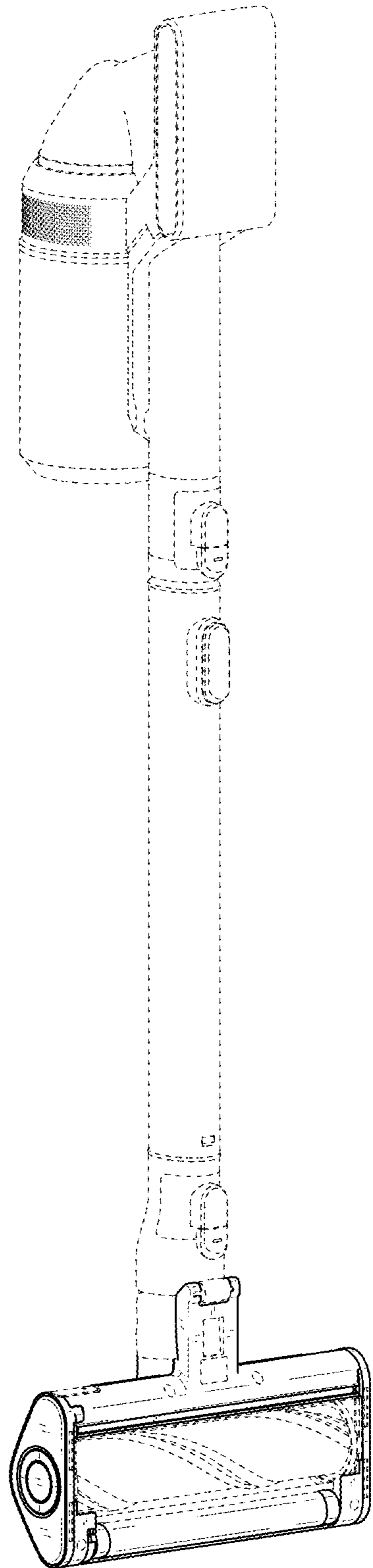


FIG. 10

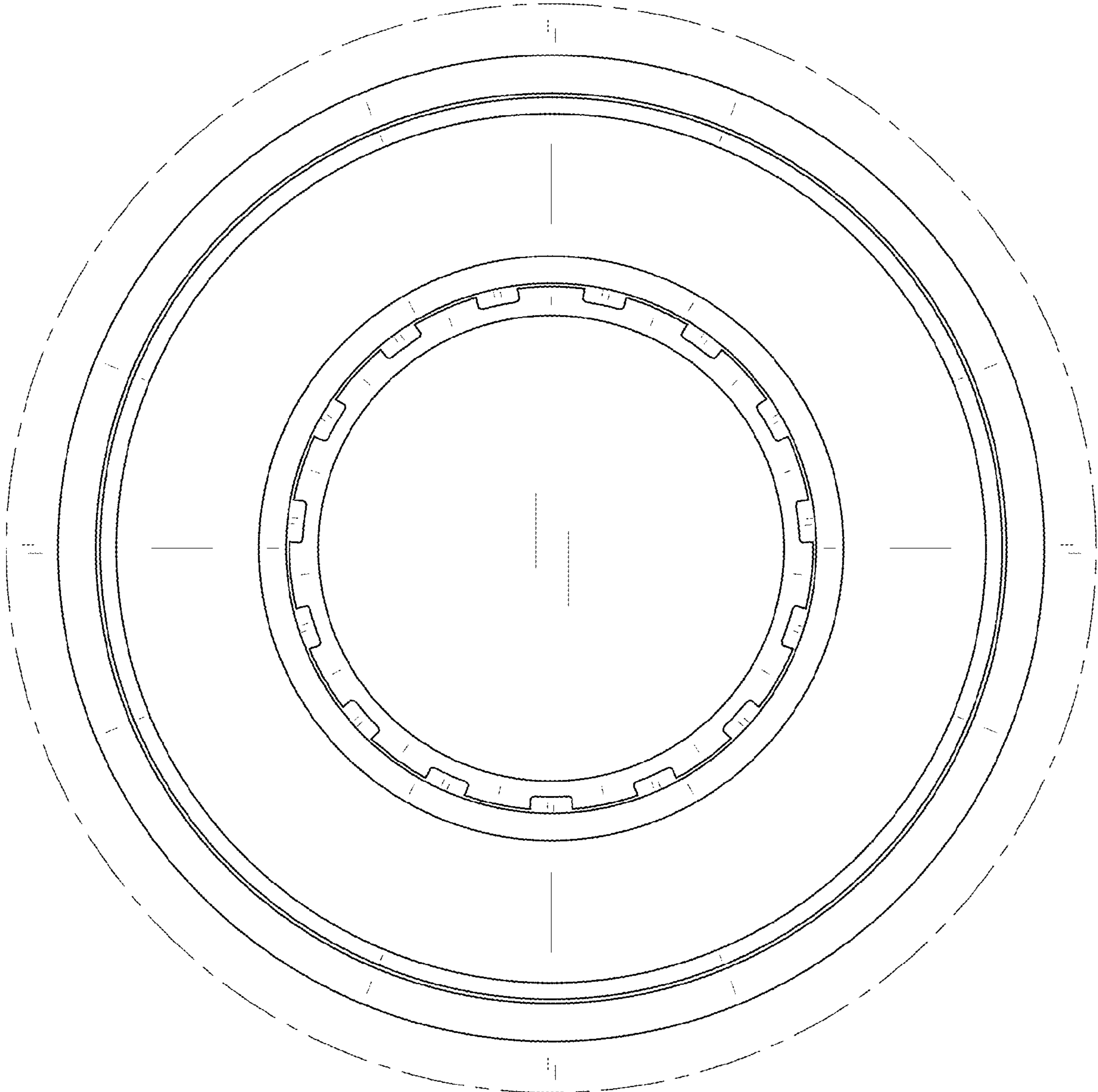


FIG. 11

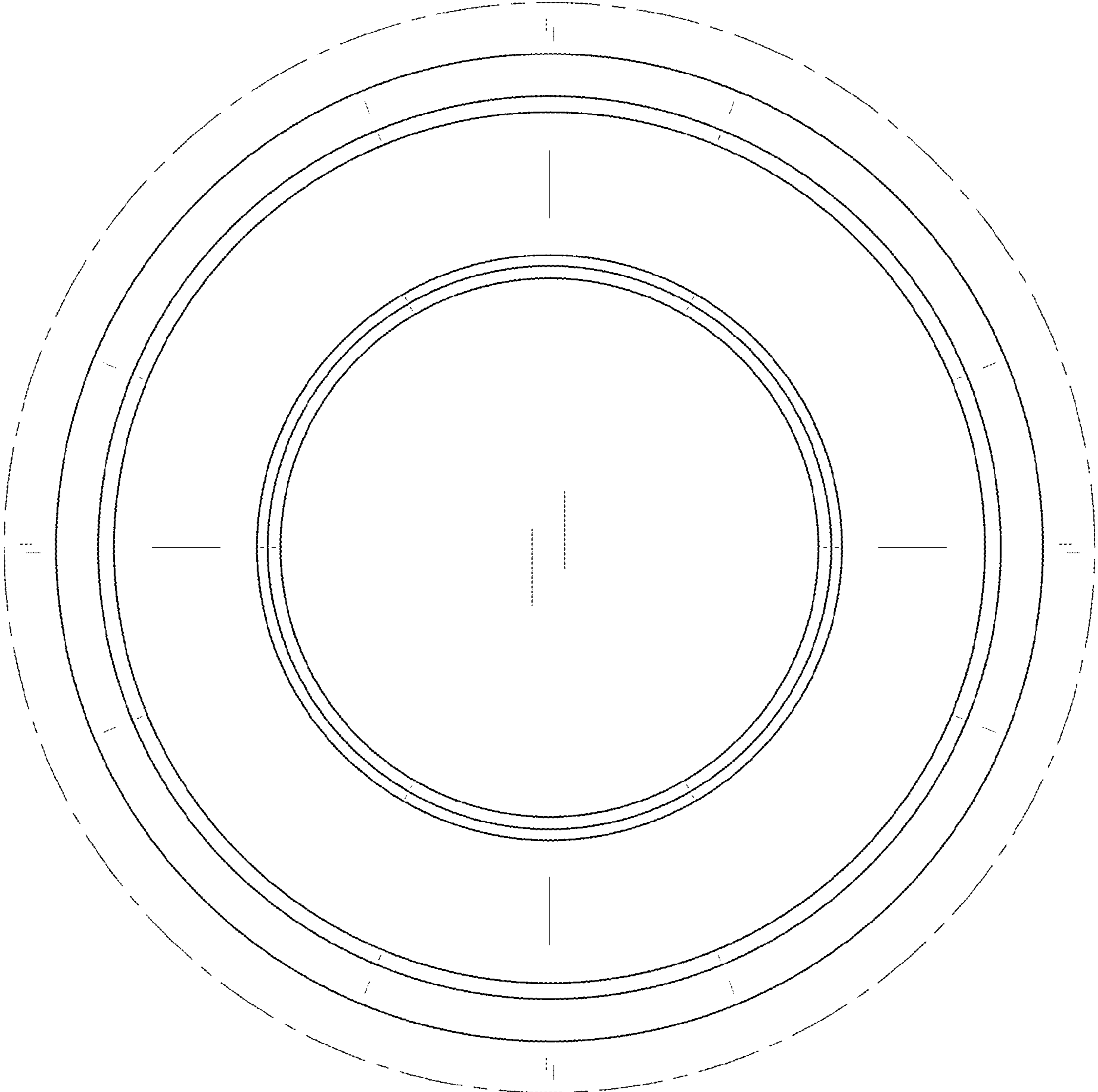


FIG. 12

