



US00D961870S

(12) **United States Design Patent**
Ito et al.

(10) **Patent No.:** **US D961,870 S**
(45) **Date of Patent:** **** Aug. 23, 2022**

(54) **VACUUM CLEANER**

FOREIGN PATENT DOCUMENTS

(71) Applicant: **MAKITA CORPORATION**, Anjo (JP)

JP D1668312 * 12/2020

(72) Inventors: **Shigeki Ito**, Anjo (JP); **Keisuke Yamada**, Anjo (JP)

OTHER PUBLICATIONS

(73) Assignee: **MAKITA CORPORATION**, Anjo (JP)

Makita XCV19Z 18V X2 Upright Vacuum, available in Amazon.com, date first available Nov. 27, 2020 [online], [site visited Jul. 26, 2021], Available from the internet URL: https://www.amazon.com/dp/B08P7VS9P9/ref=cm_sw_r_em_apa_glt_fabc_0H01MQ0MXRKEESFAP57J (Year: 2020).*

(**) Term: **15 Years**

(Continued)

(21) Appl. No.: **29/733,710**

(22) Filed: **May 6, 2020**

Primary Examiner — Amy C Wierenga
Assistant Examiner — Jennylou M Binas

(30) **Foreign Application Priority Data**

(74) *Attorney, Agent, or Firm* — Global IP Counselors, LLP

Nov. 7, 2019 (JP) 2019-024802

(51) **LOC (13) Cl.** **15-05**

(52) **U.S. Cl.**
USPC **D32/22**

(58) **Field of Classification Search**

USPC D32/15, 21, 22, 24, 31, 33, 45; D21/526
CPC A46B 9/06; A47L 5/24; A47L 5/28; A47L 5/30; A47L 5/34; A47L 7/0004; A47L 9/04; A47L 9/325; A47L 9/1683; A47L 11/302; A47L 11/34; A47L 11/4005; A47L 11/4008; A47L 11/4016; A47L 11/4041; A47L 11/4044; A47L 11/4088; A47L 13/225; B04C 5/185; B08B 3/04; B23Q 11/0046; B23Q 11/0071; E04H 4/1636

See application file for complete search history.

(56) **References Cited**

U.S. PATENT DOCUMENTS

D248,762 S * 8/1978 Burgess D32/22
D293,727 S * 1/1988 Wareham D32/22
D314,072 S * 1/1991 Shinozaki D32/22

(Continued)

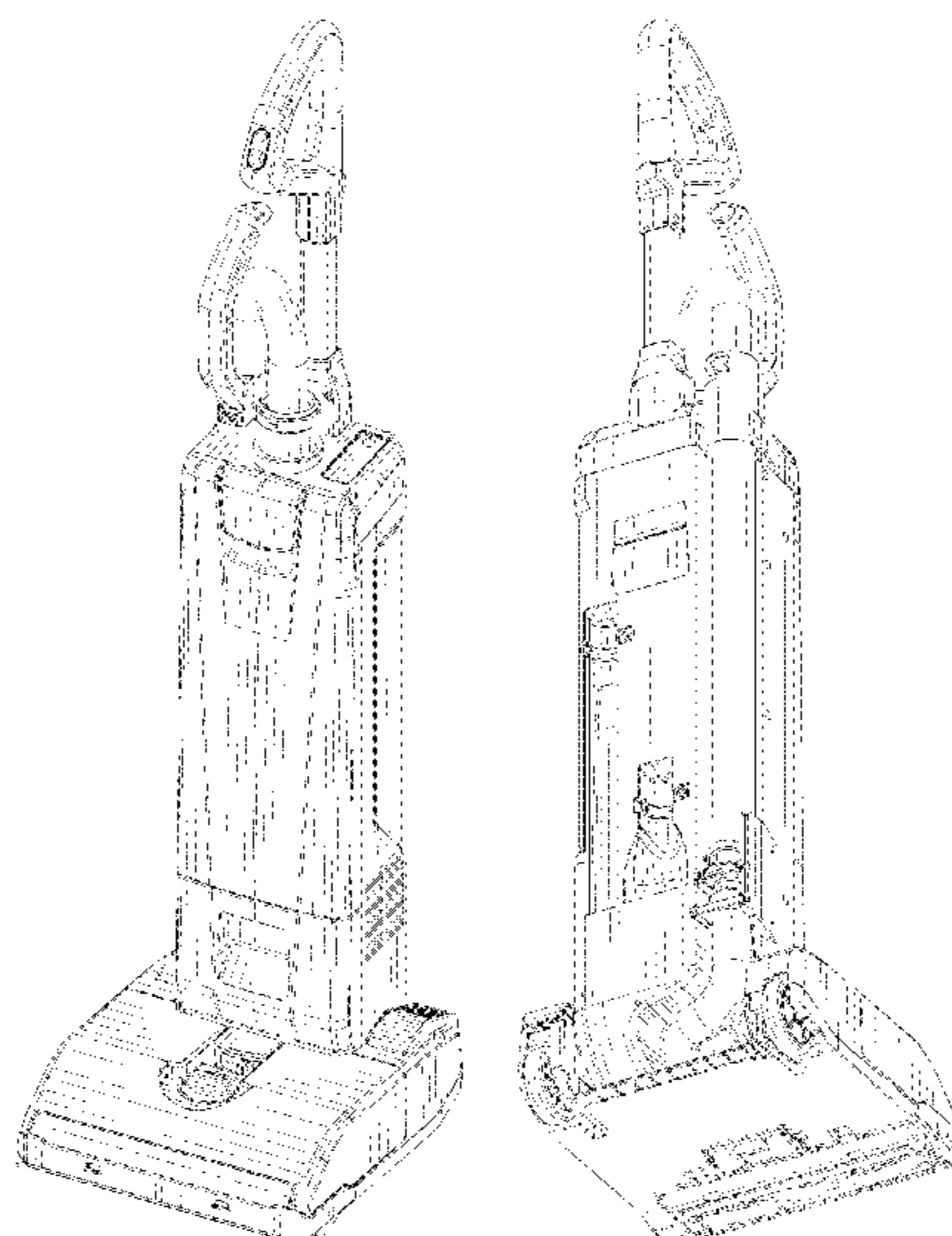
(57) **CLAIM**

The ornamental design for a vacuum cleaner, as shown and described.

DESCRIPTION

FIG. 1 is a front perspective view of a vacuum cleaner in accordance with our new design;
FIG. 2 is a rear perspective view of the vacuum cleaner in accordance with our new design;
FIG. 3 is a front elevational view of the vacuum cleaner in accordance with our new design;
FIG. 4 is a rear elevational view of the vacuum cleaner in accordance with our new design;
FIG. 5 is a top plan view of the vacuum cleaner in accordance with our new design;
FIG. 6 is a bottom plan view of the vacuum cleaner in accordance with our new design;
FIG. 7 is a right side elevational view of the vacuum cleaner in accordance with our new design; and,
FIG. 8 is a left side elevational view of the vacuum cleaner in accordance with our new design.
The broken line show portions of the vacuum cleaner that form no part of the claimed design.

1 Claim, 8 Drawing Sheets



(56)

References Cited

U.S. PATENT DOCUMENTS

D314,260 S * 1/1991 Lee D32/22
 D315,042 S * 2/1991 Ikeda D32/22
 D316,167 S * 4/1991 Petralia D32/22
 5,020,186 A * 6/1991 Lessig, III A47L 5/30
 15/339
 D319,517 S * 8/1991 Sovis D32/22
 D334,257 S * 3/1993 Lawrence D32/22
 D339,433 S * 9/1993 Stein D32/22
 D346,469 S * 4/1994 Furcron D32/22
 D355,282 S * 2/1995 Lawrence D32/22
 D413,187 S * 8/1999 Wang D32/22
 D413,698 S * 9/1999 Dyson D32/22
 D415,324 S * 10/1999 Wang D32/22
 D497,042 S * 10/2004 Elrod D32/22
 D529,245 S 9/2006 Dammkoehler
 D607,162 S * 12/2009 Brown D32/22
 D608,512 S * 1/2010 Catron D32/22
 D612,556 S * 3/2010 Catron D32/22
 D823,565 S 7/2018 Wrobleski et al.
 D836,863 S * 12/2018 Theising D32/22

11,185,202 B2 * 11/2021 Fogarty A47L 9/28
 D945,097 S * 3/2022 Makitalo D32/22
 2020/0281432 A1 * 9/2020 Yamada A47L 5/28

OTHER PUBLICATIONS

Sanitaire Professional EON Upright Bagged Vacuum, S5000A, available in Amazon.com, date first available Mar. 28, 2019 [online], [site visited Jul. 26, 2021], Available from the internet URL https://www.amazon.com/dp/B07Q6H5YHF/ref=emc_b_5_t (Year: 2019).*

Sebo Automatic X4 Upright Vacuum, available in Amazon.ca, date first available Aug. 28, 2019 [online], [site visited Jul. 26, 2021], Available from the internet URL: https://www.amazon.ca/Sebo-Automatic-X4-Upright-Vacuum/dp/B00FGBN8QQ/ref=sr_1_4?dchild=1&keywords=Sebo+Automatic+X4+Upright+Vacuum+Cleaner&qid=1627331214&sr=8-4 (Year: 2019).*

Sebo G1 Essential Upright Vacuum Cleaner, available in Amazon.ca, date first available Apr. 24, 2005 [online], [site visited Jul. 26, 2021], Available from the internet URL: https://www.amazon.ca/G1-Essential-Upright-Vacuum-Cleaner/dp/B0002U386Q/ref=sr_1_5?dchild=1&keywords=Sebo+Automatic+X4+Upright+Vacuum+Cleaner&qid=1627331083&sr=8-5 (Year: 2005).*

* cited by examiner

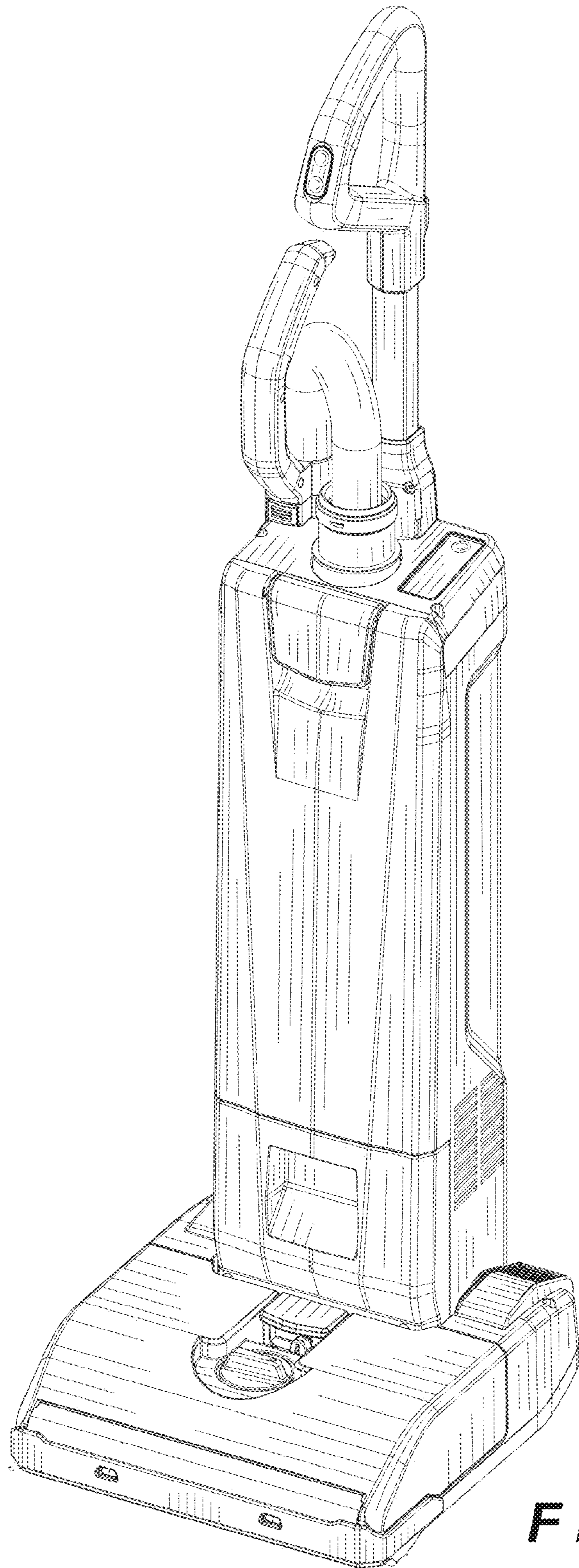


FIG. 1

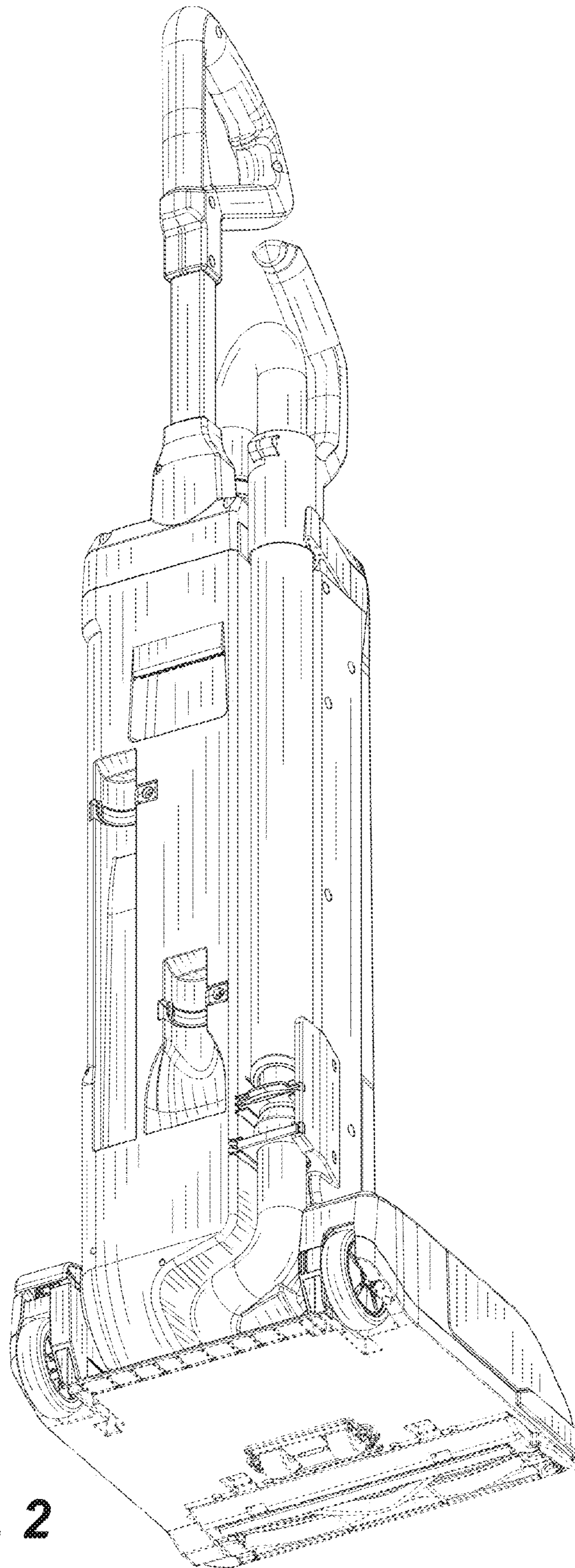


FIG. 2

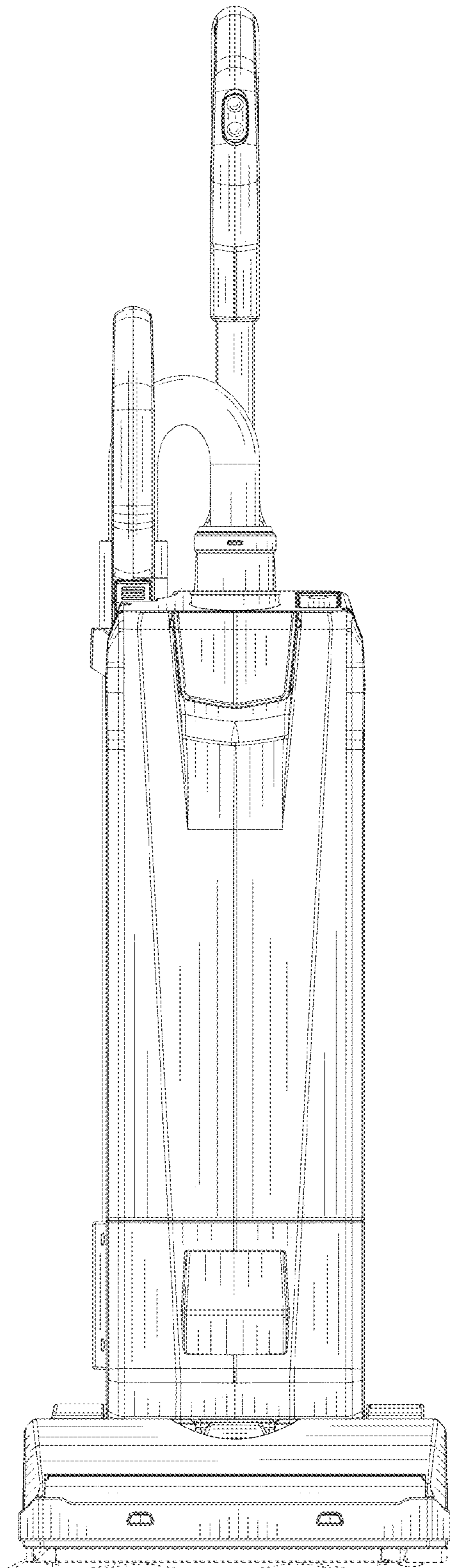


FIG. 3

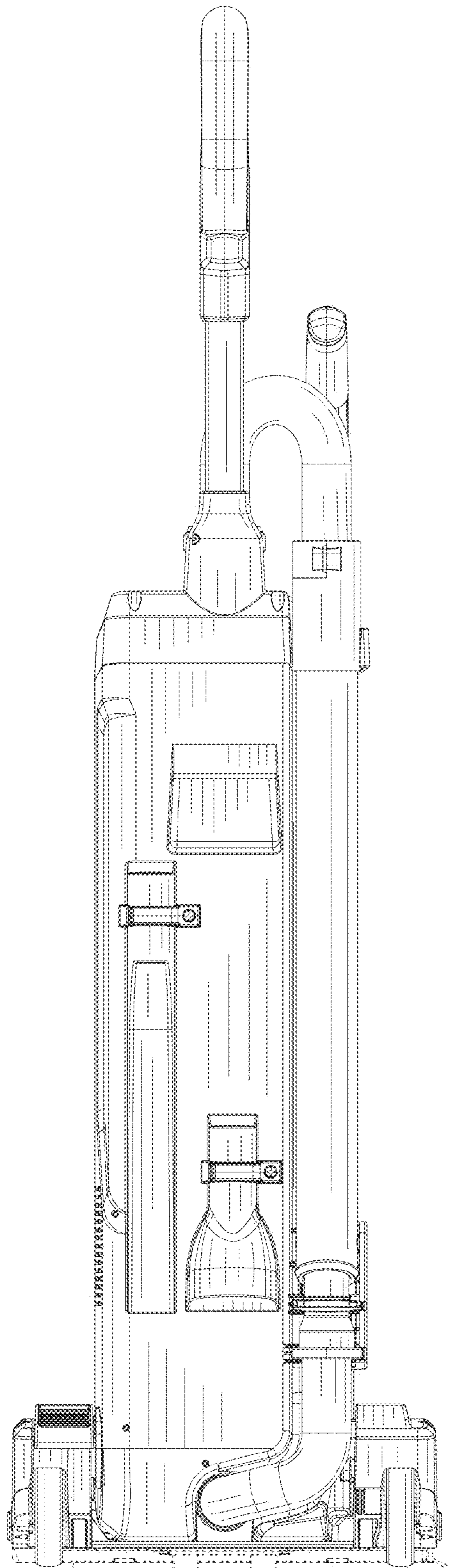


FIG. 4

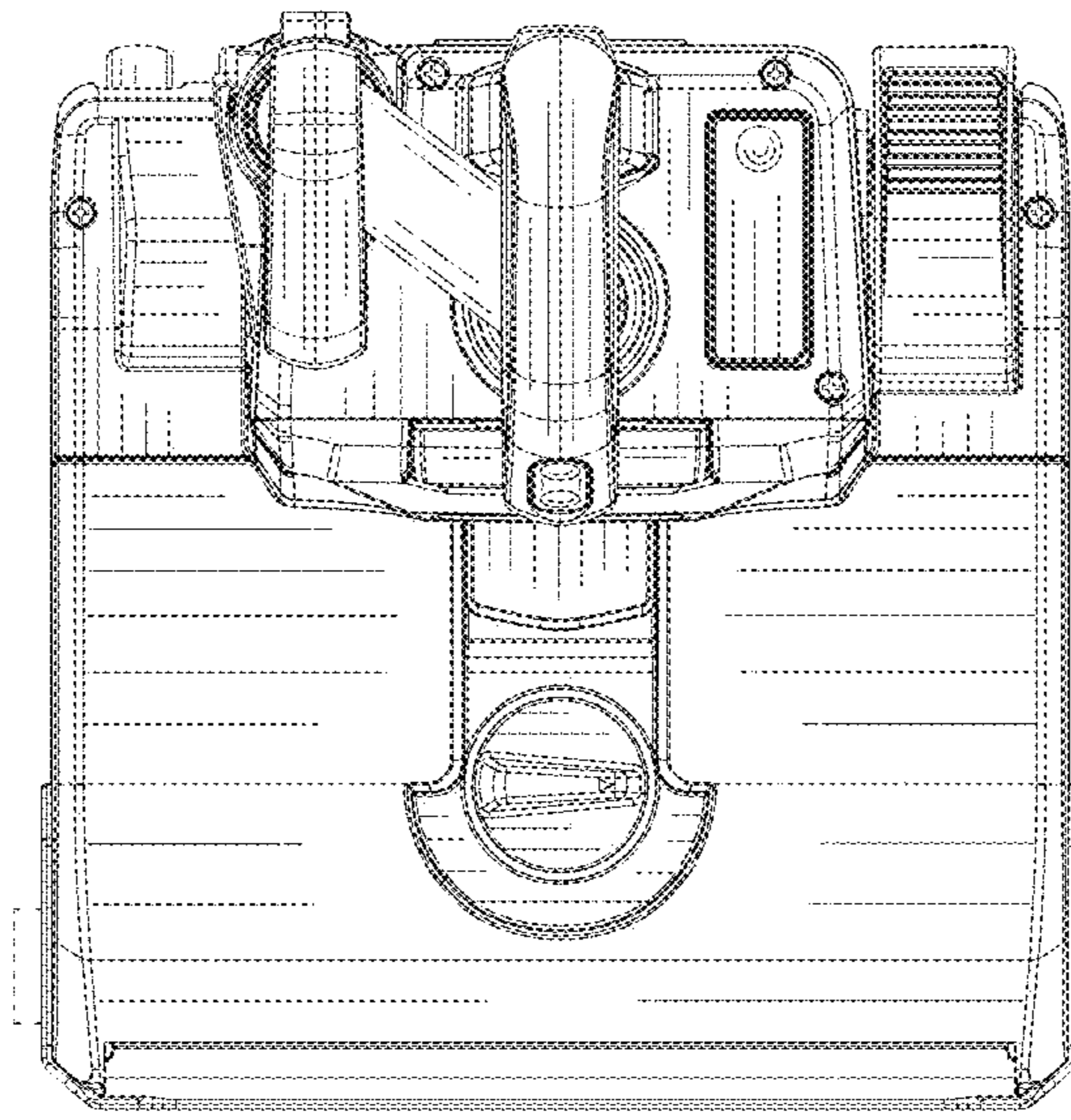


FIG. 5

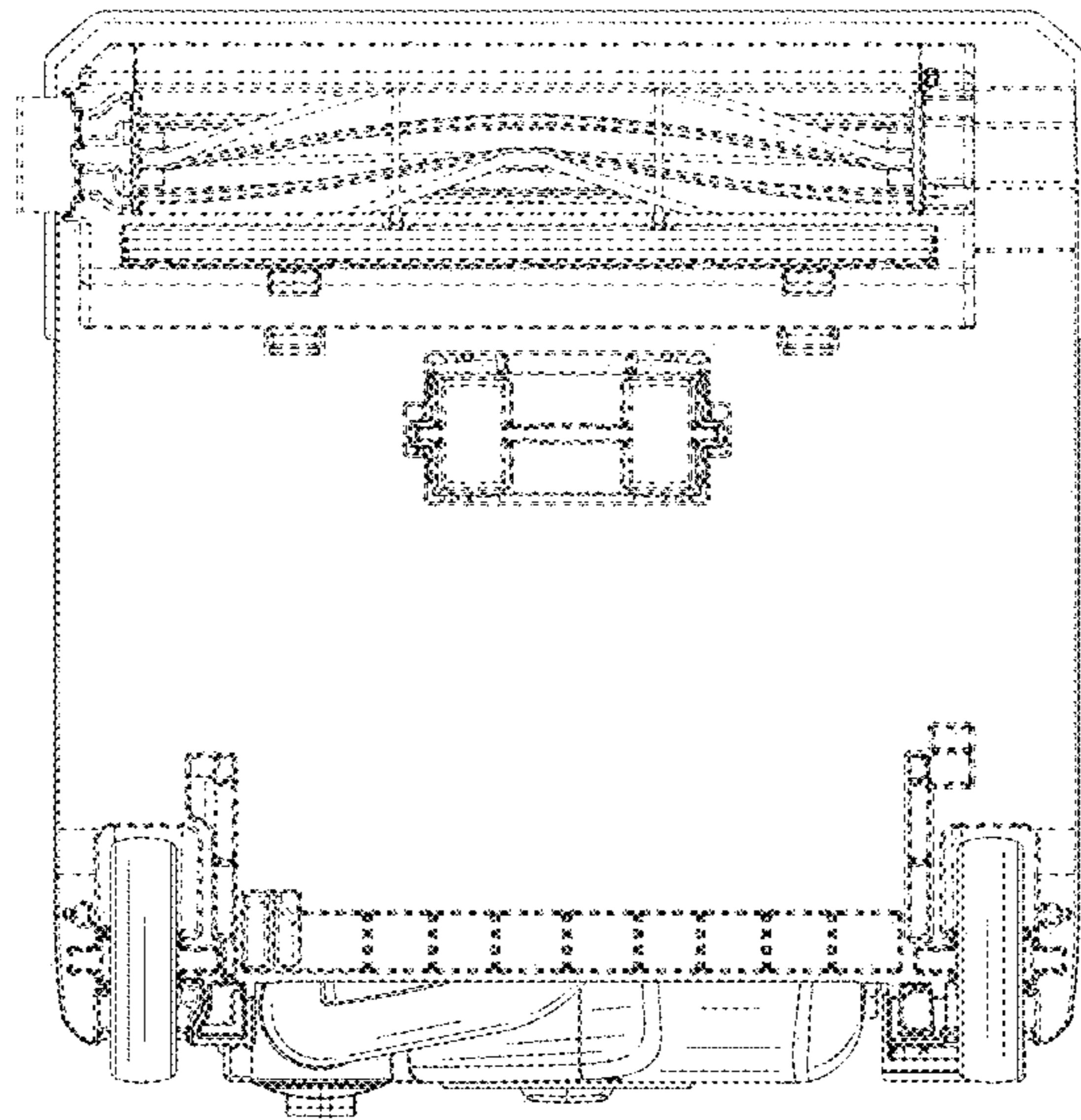


FIG. 6

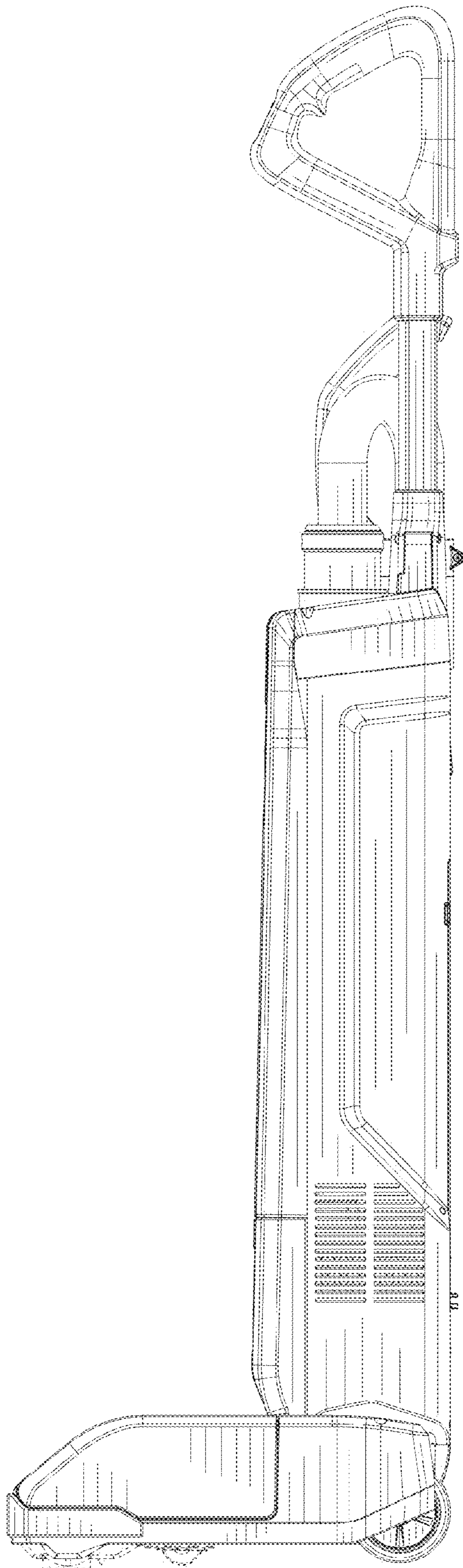


FIG. 7

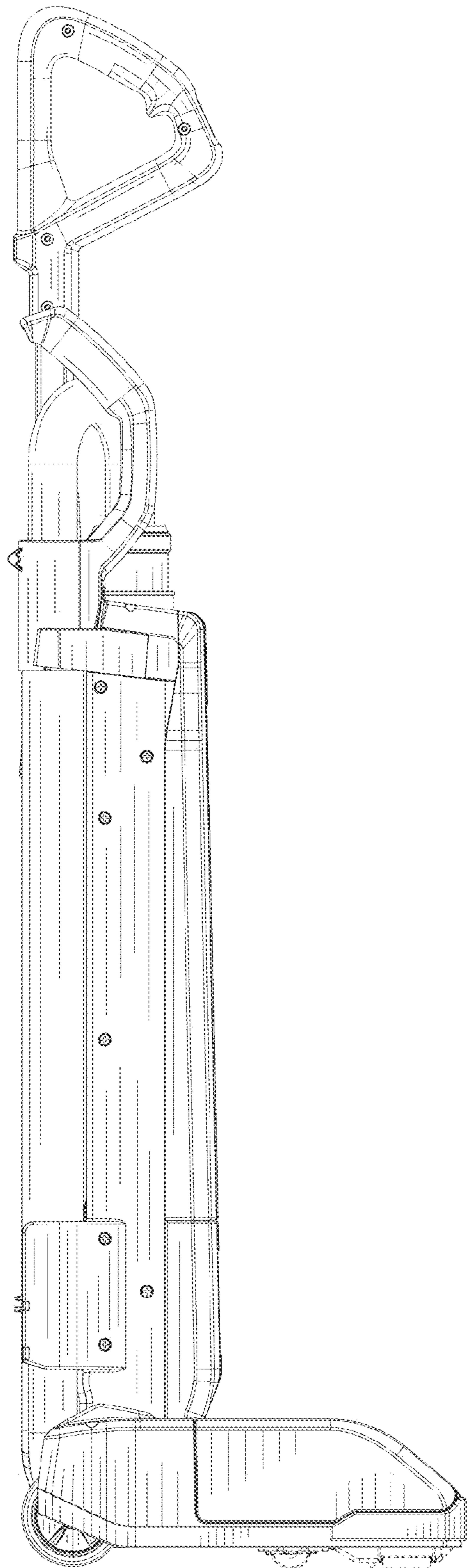


FIG. 8