



US00D961869S

(12) **United States Design Patent**
Jang et al.

(10) **Patent No.:** **US D961,869 S**
(45) **Date of Patent:** **** Aug. 23, 2022**

(54) **TOP BUTTON AND LID OF AN
AUTONOMOUS FLOOR CLEANING ROBOT**

(71) Applicant: **iRobot Corporation**, Bedford, MA
(US)

(72) Inventors: **Stuart R. Jang**, Sudbury, MA (US);
Ryan Mercier, Boston, MA (US)

(73) Assignee: **iRobot Corporation**, Bedford, MA
(US)

(**) Term: **15 Years**

(21) Appl. No.: **29/814,635**

(22) Filed: **Nov. 8, 2021**

Related U.S. Application Data

(62) Division of application No. 29/671,898, filed on Nov.
30, 2018, now Pat. No. Des. 938,115.

(51) **LOC (13) Cl.** **15-05**

(52) **U.S. Cl.**
USPC **D32/21; D32/31**

(58) **Field of Classification Search**
USPC D32/15, 16, 19, 21, 20, 23, 30, 31
CPC ... A47L 9/009; A47L 9/14; A47L 9/28; A47L
11/40; A47L 2201/00; A47L 11/00; A47L
11/24; A47L 11/28; A47L 11/30; A47L
7/00; A47L 9/00

See application file for complete search history.

(56) **References Cited**

U.S. PATENT DOCUMENTS

D660,530 S * 5/2012 Geringer D32/21
D704,400 S 5/2014 Shin et al.
D709,255 S 7/2014 Wang et al.
D720,103 S * 12/2014 Haug D32/21
9,320,398 B2 * 4/2016 Hussey A47L 11/4041
9,526,390 B2 12/2016 Yi et al.

D808,096 S 1/2018 Yun et al.
9,950,586 B2 * 4/2018 Park B60K 7/0007
10,117,557 B2 * 11/2018 Kim A47L 11/20
10,168,709 B2 1/2019 Kleiner et al.
10,272,828 B2 4/2019 White et al.
10,292,554 B2 5/2019 Lewis et al.
10,383,499 B2 8/2019 Fox et al.
D860,557 S 9/2019 Gnielka et al.

(Continued)

OTHER PUBLICATIONS

iRobot Braava Jet M6 Review (on-line), dated Jun. 27, 2019.
Retrieved from Internet Jun. 14, 2022, URL: <https://www.youtube.com/watch?v=Nvokt8vAB74> (1 page) (Year: 2019).*

(Continued)

Primary Examiner — Kimberly Barnes

(74) *Attorney, Agent, or Firm* — Schwegman Lundberg &
Woessner, P.A.

(57) **CLAIM**

The ornamental design for a top button and lid of an
autonomous floor cleaning robot, as shown and described.

DESCRIPTION

FIG. 1 is a top perspective view of a top button and lid of
an autonomous floor cleaning robot, showing our new
design;

FIG. 2 is a top view thereof;

FIG. 3 is a front view thereof;

FIG. 4 is a back view thereof;

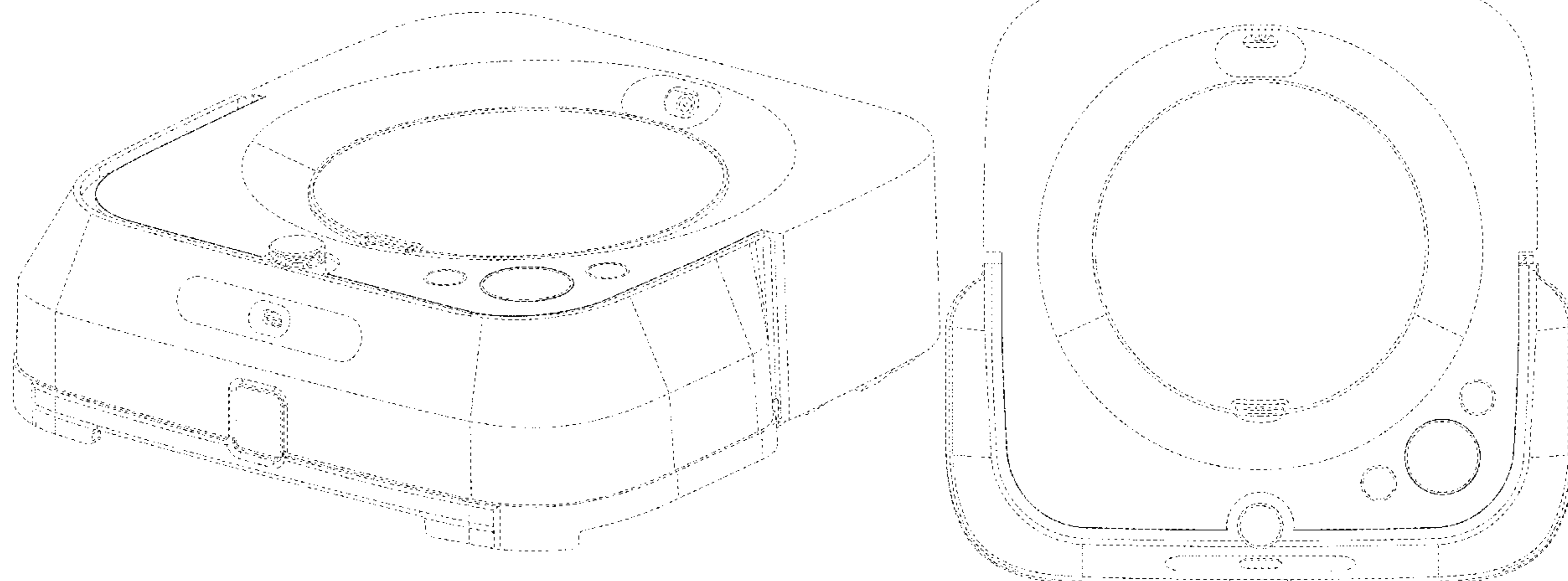
FIG. 5 is a side view thereof;

FIG. 6 is an opposing side view thereof; and,

FIG. 7 is another top perspective view thereof with the lid
in an open position.

The broken lines shown herein depict portions of the auto-
nomous floor cleaning robot that form no part of the claimed
design.

1 Claim, 5 Drawing Sheets



(56)

References Cited

U.S. PATENT DOCUMENTS

10,463,217 B1 11/2019 Bialek et al.
 D871,694 S 12/2019 Casini et al.
 10,517,457 B2* 12/2019 Kim A47L 11/4005
 D874,079 S 1/2020 Ebrahimi Afrouzi et al.
 10,575,696 B2 3/2020 O'Brien et al.
 D884,998 S 5/2020 Afshar Bakooshli
 10,694,913 B2* 6/2020 Erkek A47L 11/4011
 10,779,695 B2* 9/2020 Burbank A47L 9/1472
 10,806,314 B2 10/2020 Suchman et al.
 10,895,880 B2* 1/2021 Hillen A47L 9/2805
 10,967,749 B2 4/2021 O'brien
 D919,210 S * 5/2021 Mi D32/21
 11,019,972 B2* 6/2021 Lee A47L 9/2826
 11,122,951 B2 9/2021 Gschrey et al.
 D938,115 S * 12/2021 Jang D32/21
 11,317,774 B2* 5/2022 Yun A47L 9/0477
 2018/0360281 A1 12/2018 Shin et al.
 2019/0133397 A1 5/2019 Choe
 2019/0142233 A1* 5/2019 Swett A47L 9/1409
 15/347
 2019/0298137 A1 10/2019 Zhu

2020/0000302 A1 1/2020 Morin et al.
 2020/0069125 A1 3/2020 Gritsenko et al.
 2020/0077863 A1 3/2020 Huang et al.
 2020/0205632 A1 7/2020 Gschrey et al.
 2020/0323410 A1* 10/2020 Ortmann A47L 9/12
 2022/0083066 A1* 3/2022 Herlant G05D 1/0242

OTHER PUBLICATIONS

"U.S. Appl. No. 29/671,898, Ex Parte Quayle Action mailed Jul. 7, 2021", 5 pgs.
 "U.S. Appl. No. 29/671,898, Notice of Allowance dated Oct. 14, 2021", 8 pgs.
 "U.S. Appl. No. 29/671,898, Response filed May 26, 2021 to Restriction Requirement dated Mar. 26, 2021", 4 pgs.
 "U.S. Appl. No. 29/671,898, Response filed Aug. 30, 2021 to Ex Parte Quayle Action mailed Jul. 7, 2021", 7 pgs.
 "U.S. Appl. No. 29/671,898, Restriction Requirement dated Mar. 26, 2021", 6 pgs.
 "Braava m Series—iRobot (on-line)", <<https://web.archive.org/web/20190622205412/https://www.irobot.com/braava/m-series>>, (2019), 2 pgs.

* cited by examiner

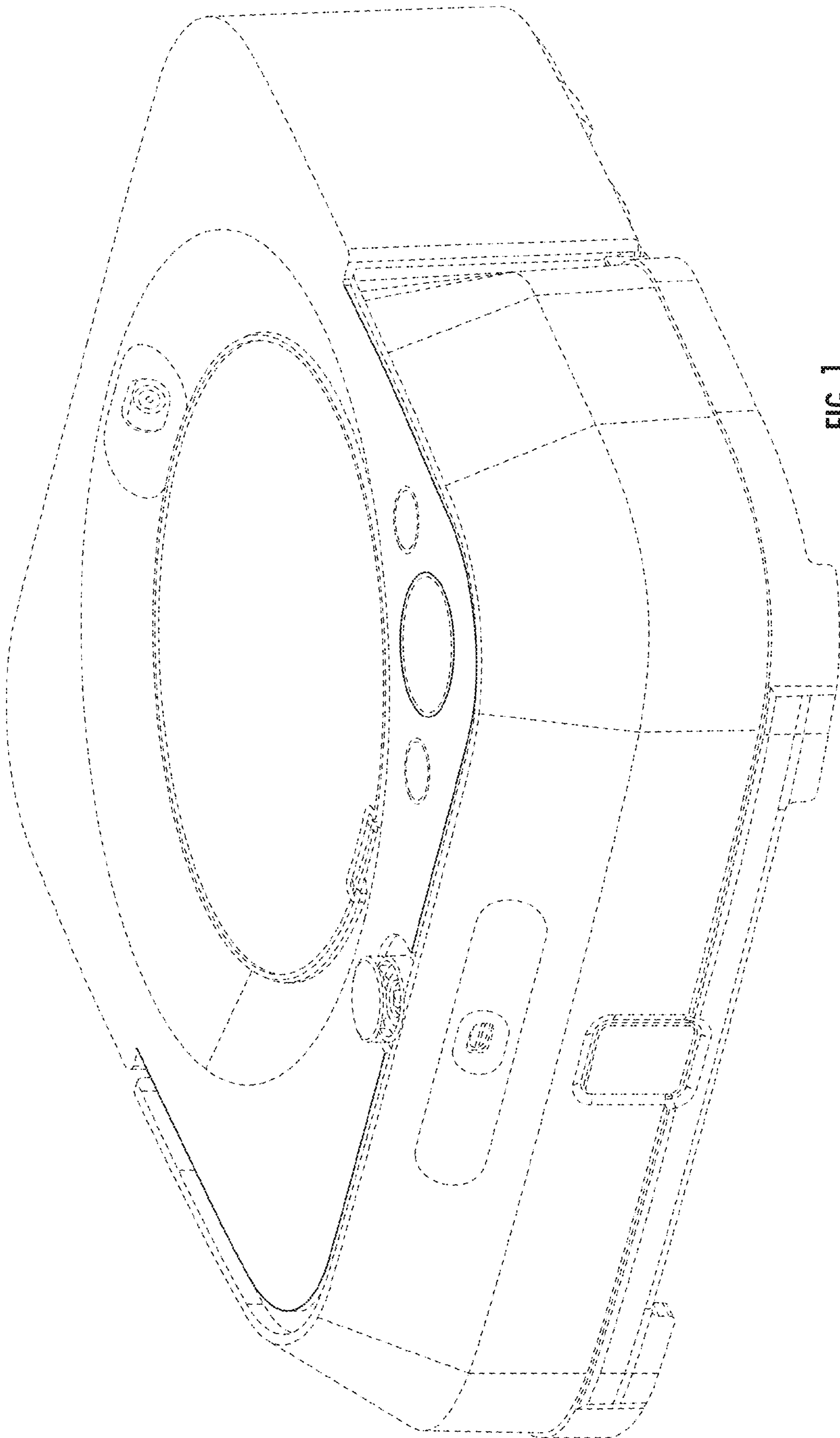


FIG. 1

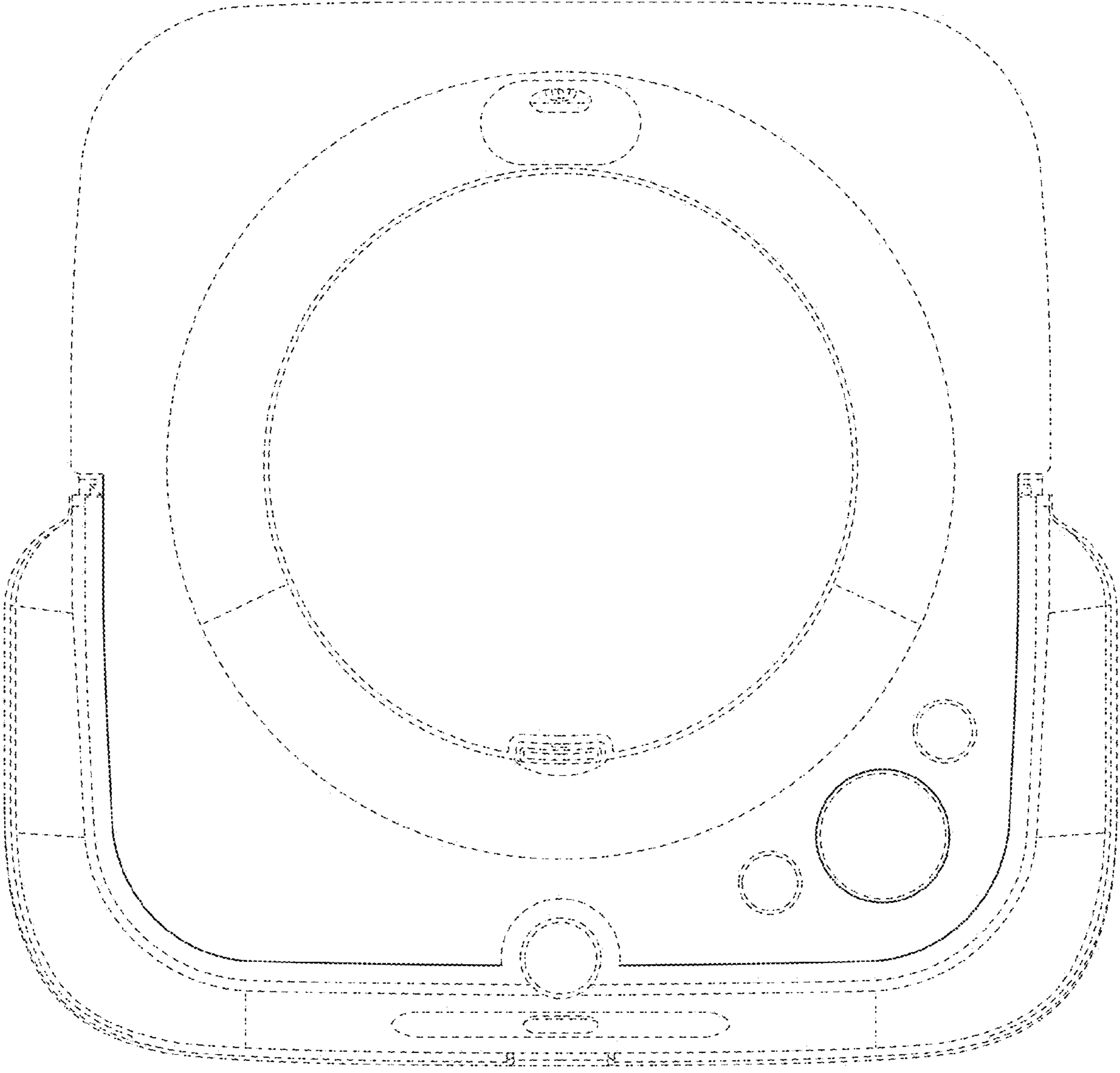


FIG. 2

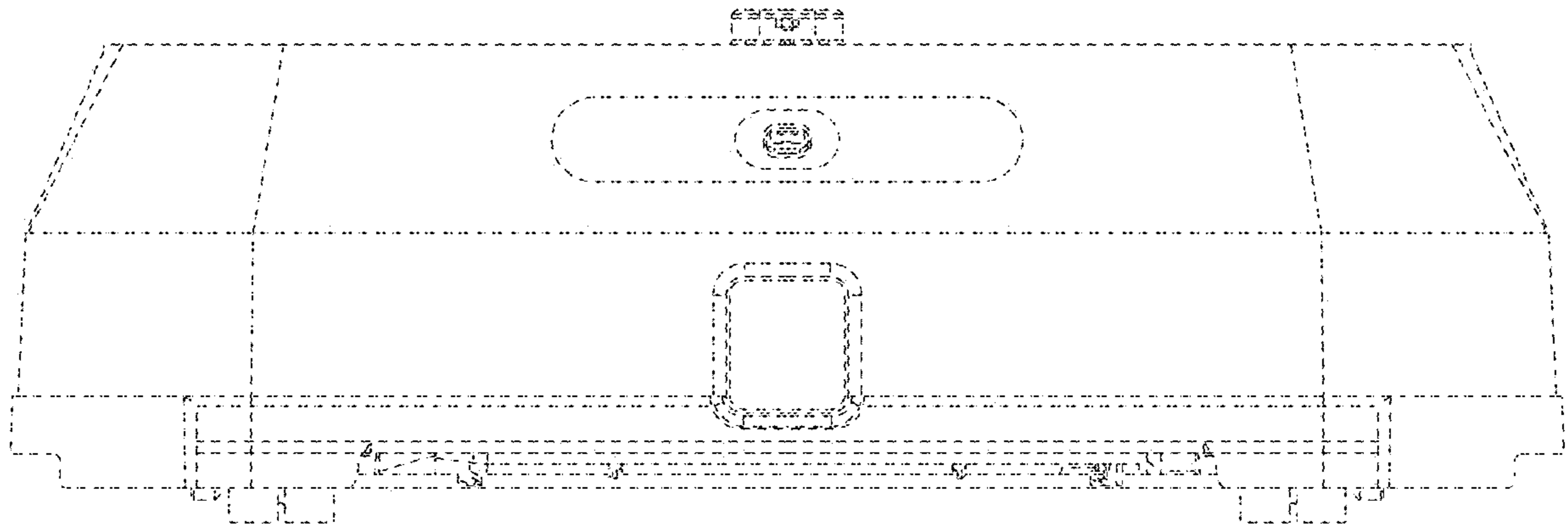


FIG. 3

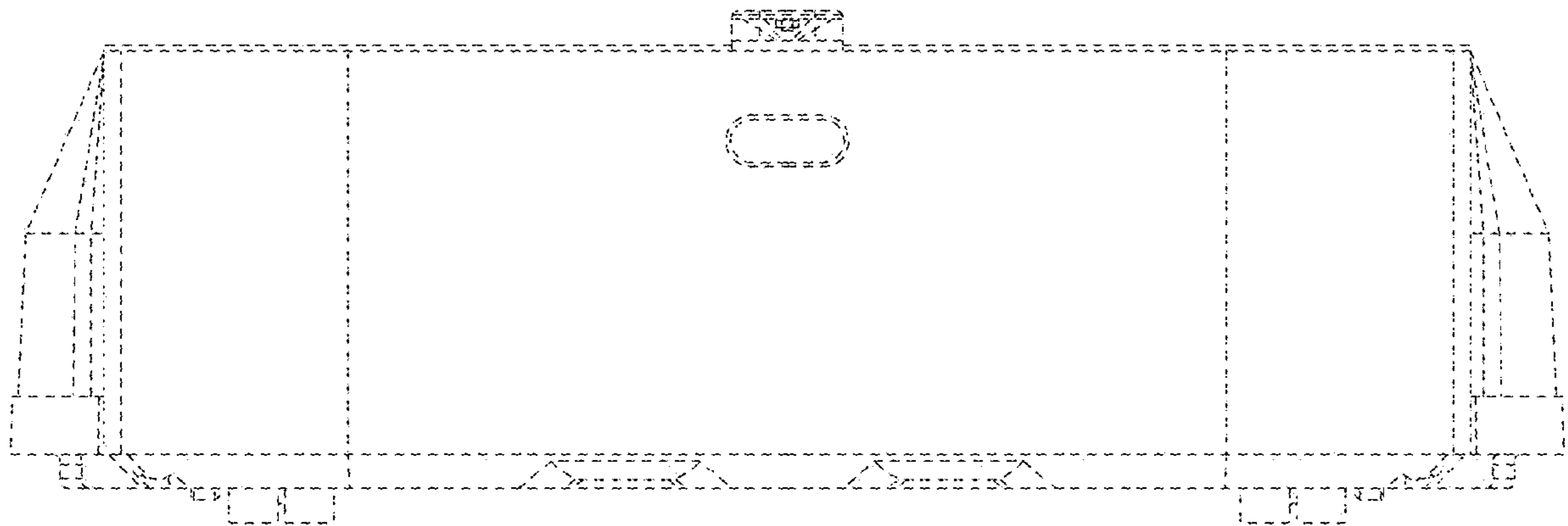


FIG. 4

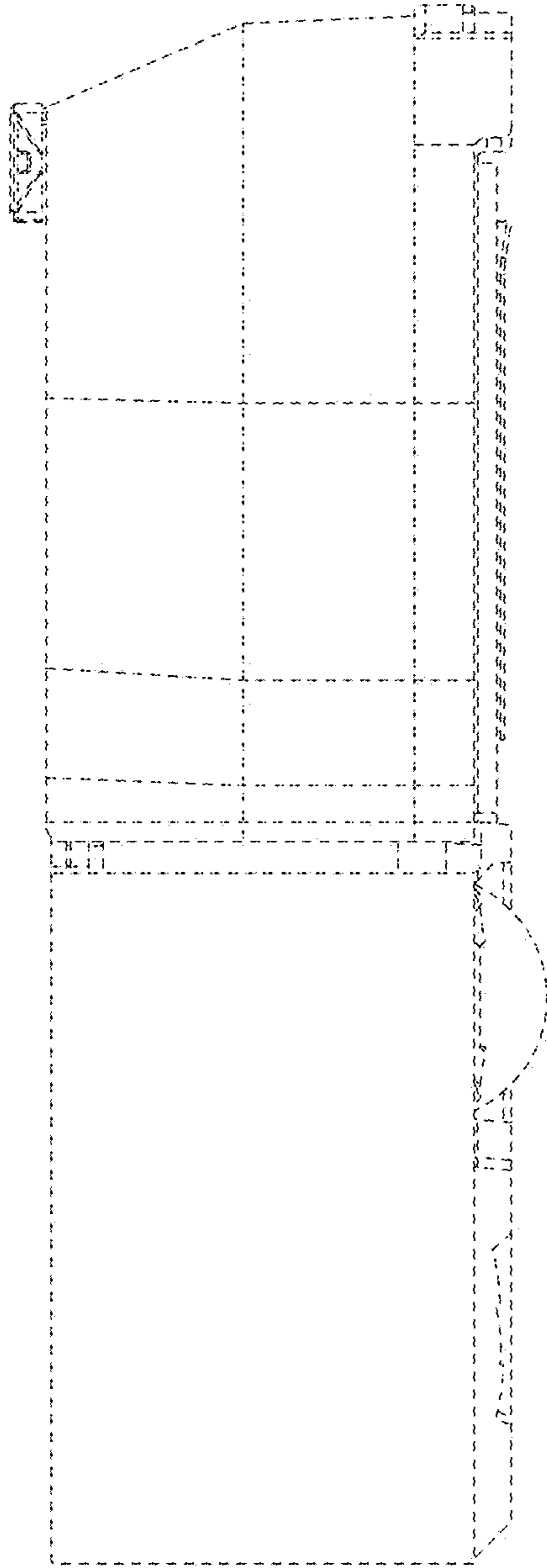


FIG. 5

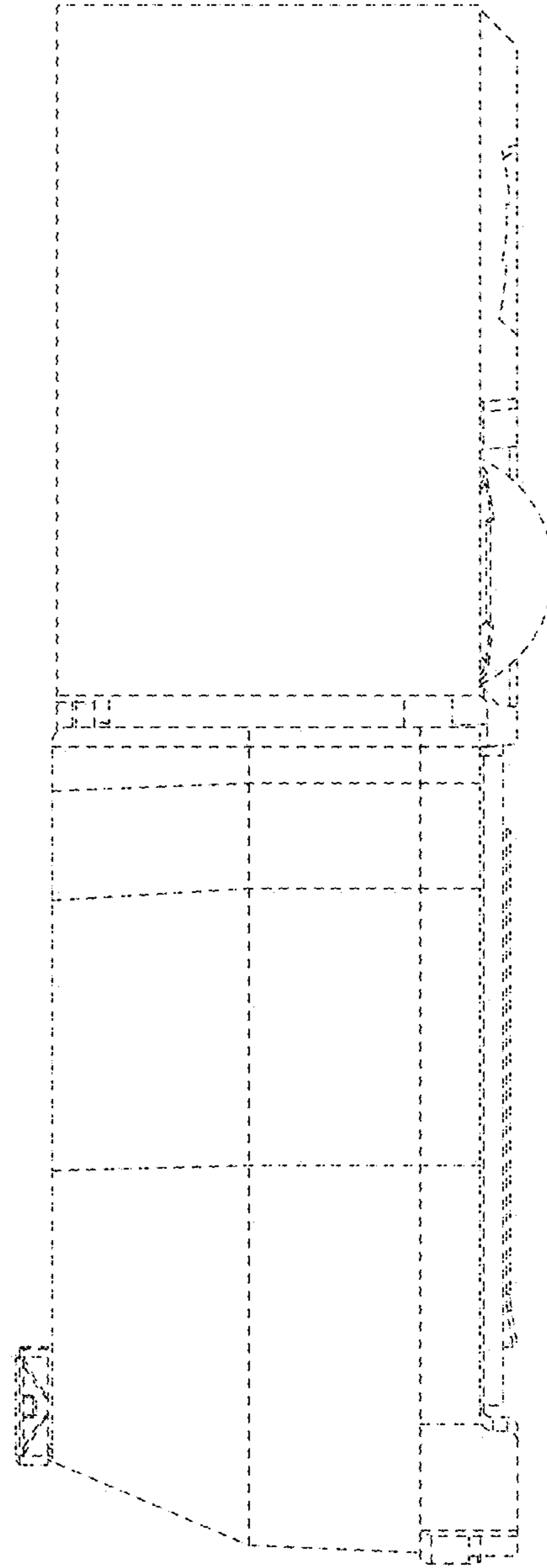


FIG. 6

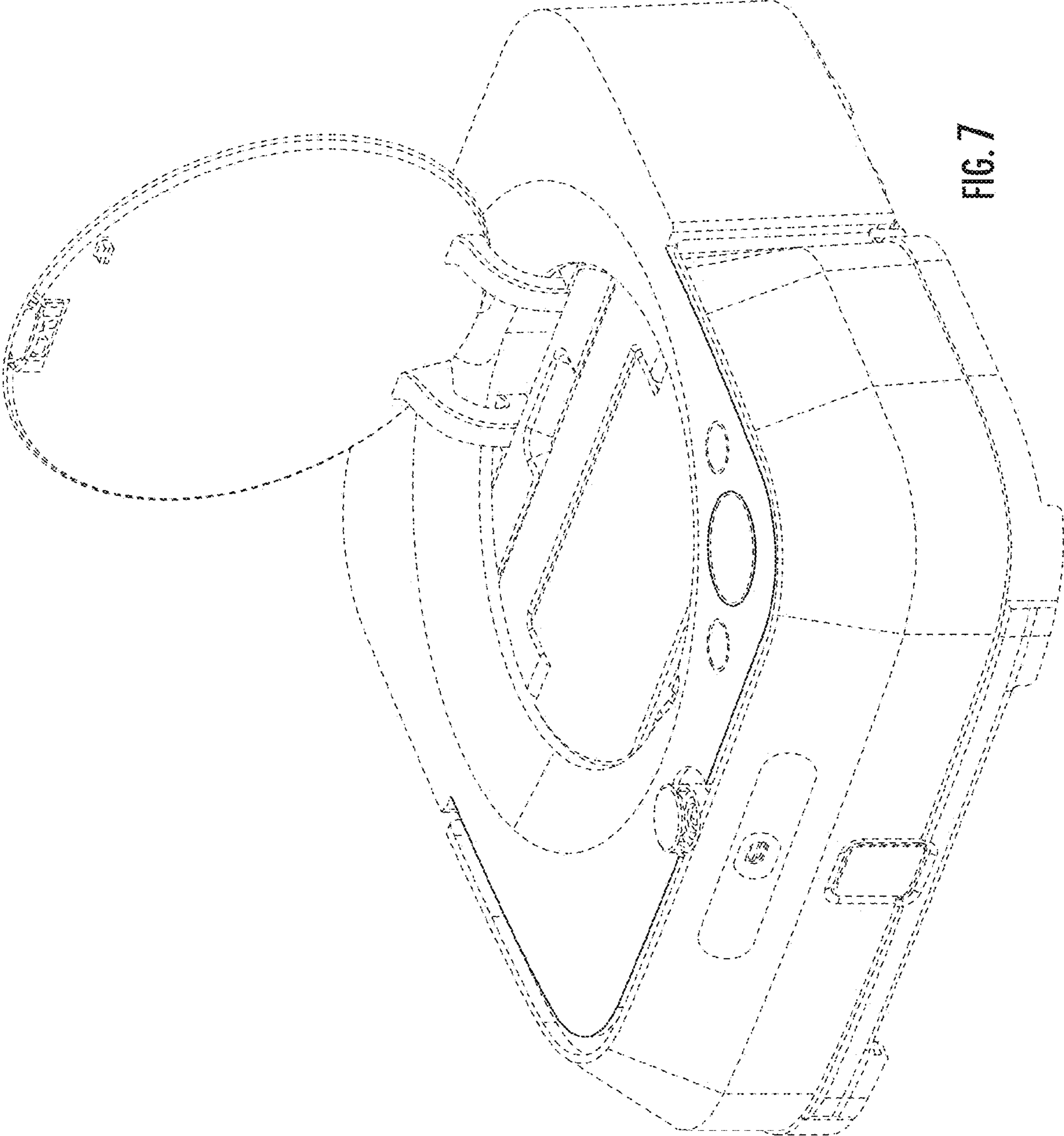


FIG. 7