



US00D961867S

(12) **United States Design Patent** (10) **Patent No.:** **US D961,867 S**
Xu (45) **Date of Patent:** **** *Aug. 23, 2022**

(54) **HANDHELD VACUUM**
(71) Applicant: **Fuzhou Huodan Electronic Technology Co., Ltd., Fuzhou (CN)**
(72) Inventor: **Yixuan Xu, Shenzhen (CN)**
(*) Notice: This patent is subject to a terminal disclaimer.
(**) Term: **15 Years**
(21) Appl. No.: **29/751,328**
(22) Filed: **Sep. 21, 2020**
(51) **LOC (13) Cl.** **15-05**
(52) **U.S. Cl.**
USPC **D32/18**
(58) **Field of Classification Search**
USPC D32/17, 18, 21, 22, 31; D21/526
CPC A47L 5/24; A47L 5/26; A47L 5/28; A47L 9/102; A47L 9/122; A47L 9/127; A47L 9/1608; A47L 9/1683; A47L 9/2857; A47L 9/2884; A47L 9/32; A47L 9/322; B04C 5/185; B08B 3/04; B01D 2279/55; B23Q 11/0046; B23Q 11/0071; E04H 4/1636; Y10T 29/49716
See application file for complete search history.

D356,191 S * 3/1995 Phelan D32/18
D379,690 S * 6/1997 Howell D32/18
D401,021 S * 11/1998 Stephens D32/18
D404,857 S * 1/1999 Ng D32/18
D432,743 S * 10/2000 Santiago D32/18
D435,707 S * 12/2000 Leung D32/18
D437,983 S * 2/2001 Stratford D32/18

(Continued)

FOREIGN PATENT DOCUMENTS

CN 304783848 * 8/2018
GB 6074462 * 10/2019

OTHER PUBLICATIONS

Handheld Vacuum Cleaner Buying Guide, available in www.canstarblue.com, announced on Jan. 29, 2019 [online], [site visited Feb. 9, 2021], Internet URL: https://www.canstarblue.com.au/appliances/handheld-vacuums/ (Year: 2019).*

(Continued)

Primary Examiner — Amy C Wierenga
Assistant Examiner — Jennylou M Binas

(57) **CLAIM**

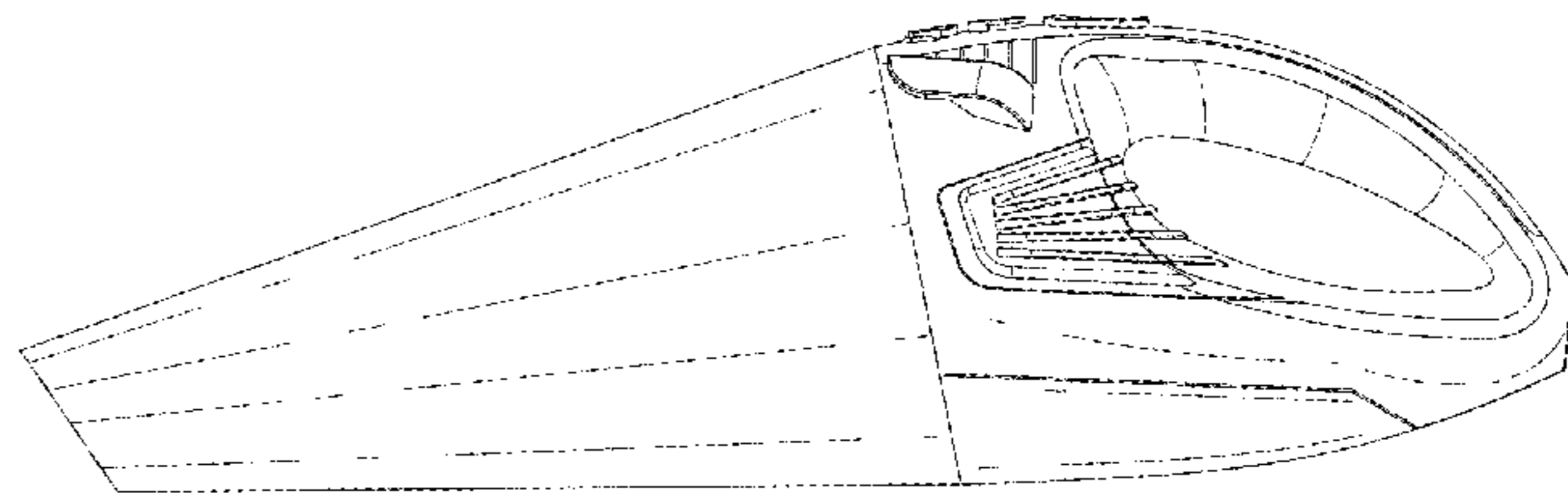
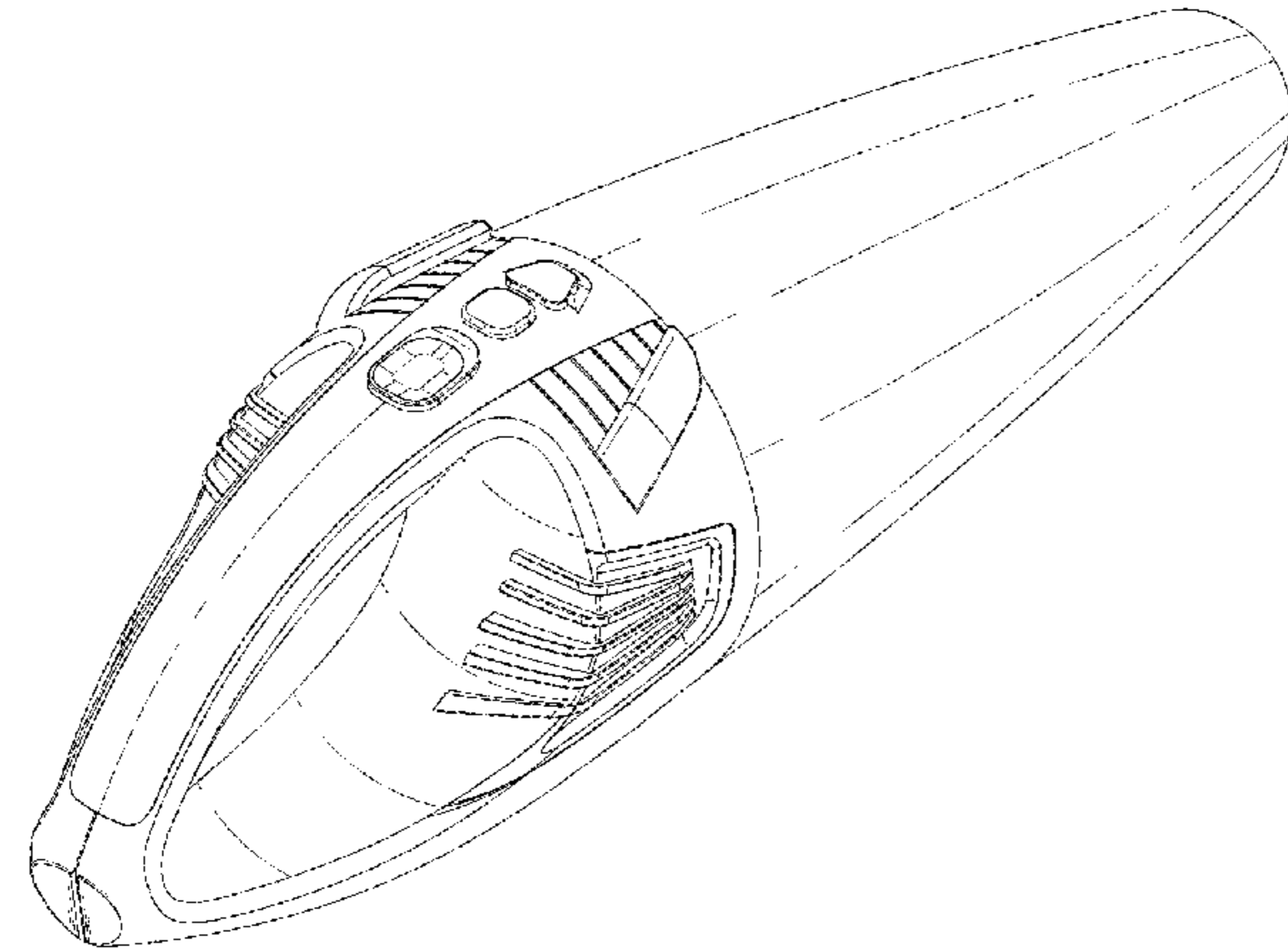
The ornamental design for a handheld vacuum, as shown and described.

DESCRIPTION

FIG. 1 is a Perspective view of a handheld vacuum showing my new design;
FIG. 2 is a Front view thereof;
FIG. 3 is a Back view thereof;
FIG. 4 is a Right-side view thereof;
FIG. 5 is a Left-side view thereof;
FIG. 6 is a Top view thereof; and,
FIG. 7 is a Bottom view thereof.
The broken lines shown in the figures depict portions of the handheld vacuum that form no part of the claimed design.

1 Claim, 4 Drawing Sheets

(56) **References Cited**
U.S. PATENT DOCUMENTS
D275,427 S * 9/1984 Kishi D32/18
D278,942 S * 5/1985 Chiu D32/18
D280,452 S * 9/1985 Arita D32/18
D283,064 S * 3/1986 Thomas D32/18
D289,576 S * 4/1987 Okada D32/18
D302,057 S * 7/1989 Fujii D32/18
D307,657 S * 5/1990 Li 15/329
D314,846 S * 2/1991 deBlois D32/18
D315,622 S * 3/1991 deBlois D32/18
D320,099 S * 9/1991 Case D32/18
D352,807 S * 11/1994 Sanderud D32/18



(56)

References Cited

U.S. PATENT DOCUMENTS

D440,720 S * 4/2001 Stratford D32/18
 D448,894 S * 10/2001 Yuen D32/18
 D459,560 S * 6/2002 Lau D32/18
 D481,842 S * 11/2003 Tai D32/18
 D489,849 S * 5/2004 Ki D32/18
 D501,065 S * 1/2005 Ma D32/18
 D510,161 S * 9/2005 Leung D32/18
 D515,258 S * 2/2006 Robson D32/18
 D527,501 S 8/2006 Tai
 D528,716 S * 9/2006 Yuen D32/18
 D530,464 S 10/2006 Tai
 D564,152 S 3/2008 Fjellman
 D564,153 S * 3/2008 Fjellman D32/18
 D571,063 S 6/2008 Brown
 D578,259 S 10/2008 Ågren et al.
 D660,527 S * 5/2012 Kawase D32/18
 D720,102 S * 12/2014 Gu D32/18
 D844,266 S * 3/2019 Wang D32/18
 D851,342 S * 6/2019 Tu D32/18
 D855,909 S * 8/2019 Ma D32/18
 D863,700 S * 10/2019 Tang D32/18
 D869,794 S * 12/2019 Zhou D32/18

D869,795 S * 12/2019 Wang D32/18
 D873,514 S * 1/2020 Huang D32/18
 D891,013 S * 7/2020 Lin D32/18
 D898,311 S * 10/2020 Smith D32/18
 D918,502 S * 5/2021 Ma D32/18
 D923,888 S * 6/2021 Liu D32/21
 D924,502 S * 7/2021 Xu D32/18
 D925,146 S * 7/2021 Liu D32/18
 D925,147 S * 7/2021 Xu D32/21
 D930,927 S * 9/2021 Smith D32/22
 D935,710 S * 11/2021 Nakamura D32/18
 D936,312 S * 11/2021 Liu D32/18
 11,191,405 B2 * 12/2021 Iwakami A47L 9/2884
 D944,476 S * 2/2022 Xu D32/18
 2021/0274990 A1 * 9/2021 Mitsui A47L 9/2836

OTHER PUBLICATIONS

Portable Car Vacuum Cleaner, available in Amazon.com, customer review oldest date Oct. 4, 2019 [online], [site visited Feb. 9, 2019], Available from the internet URL: https://www.amazon.com/dp/B07XP8YKK7/ref=cm_sw_r_em_apa_fabc_8V4G0G2K0SVJSAAMAYQT (Year: 2019).*

* cited by examiner

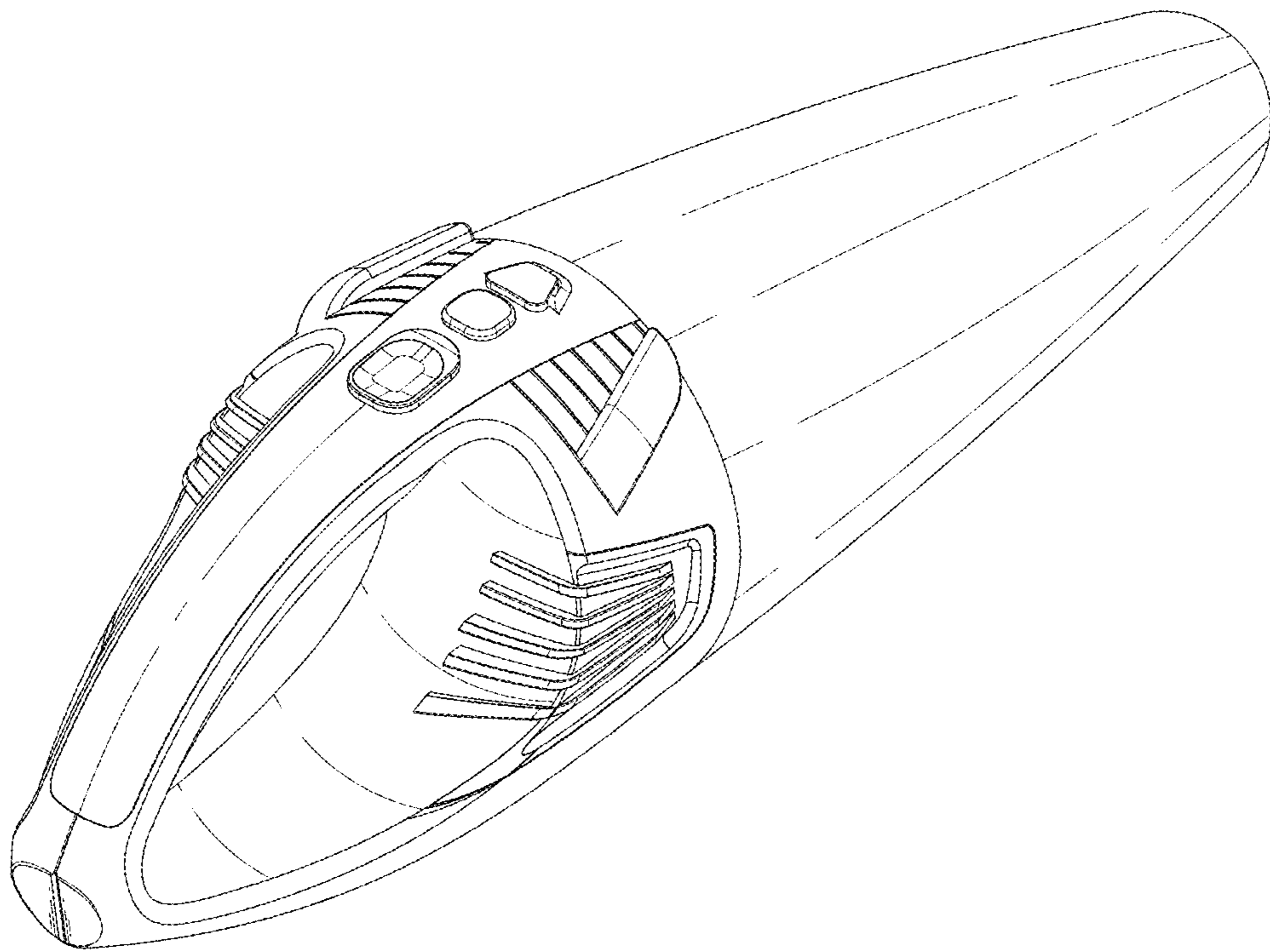


FIG. 1

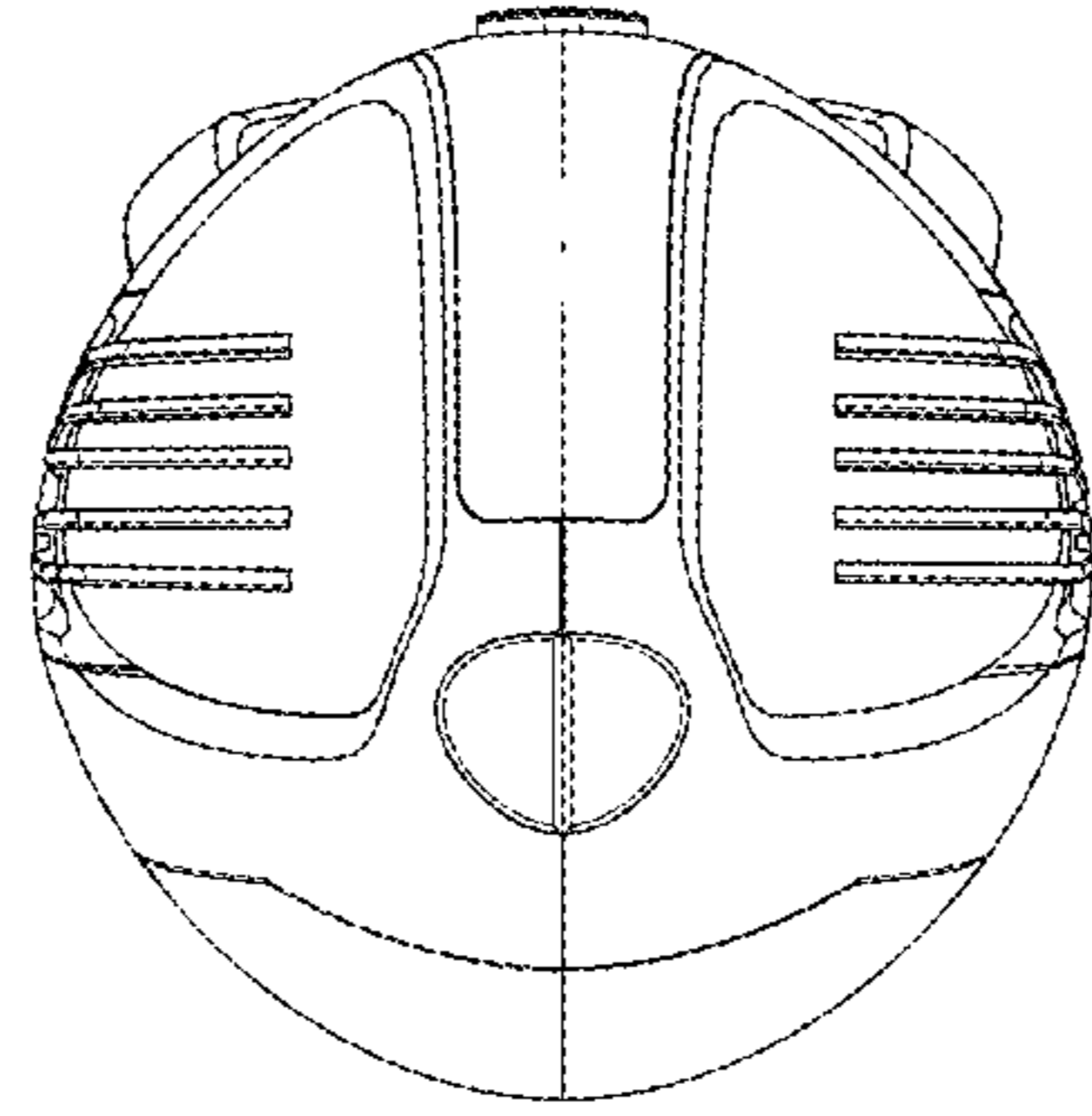


FIG. 2

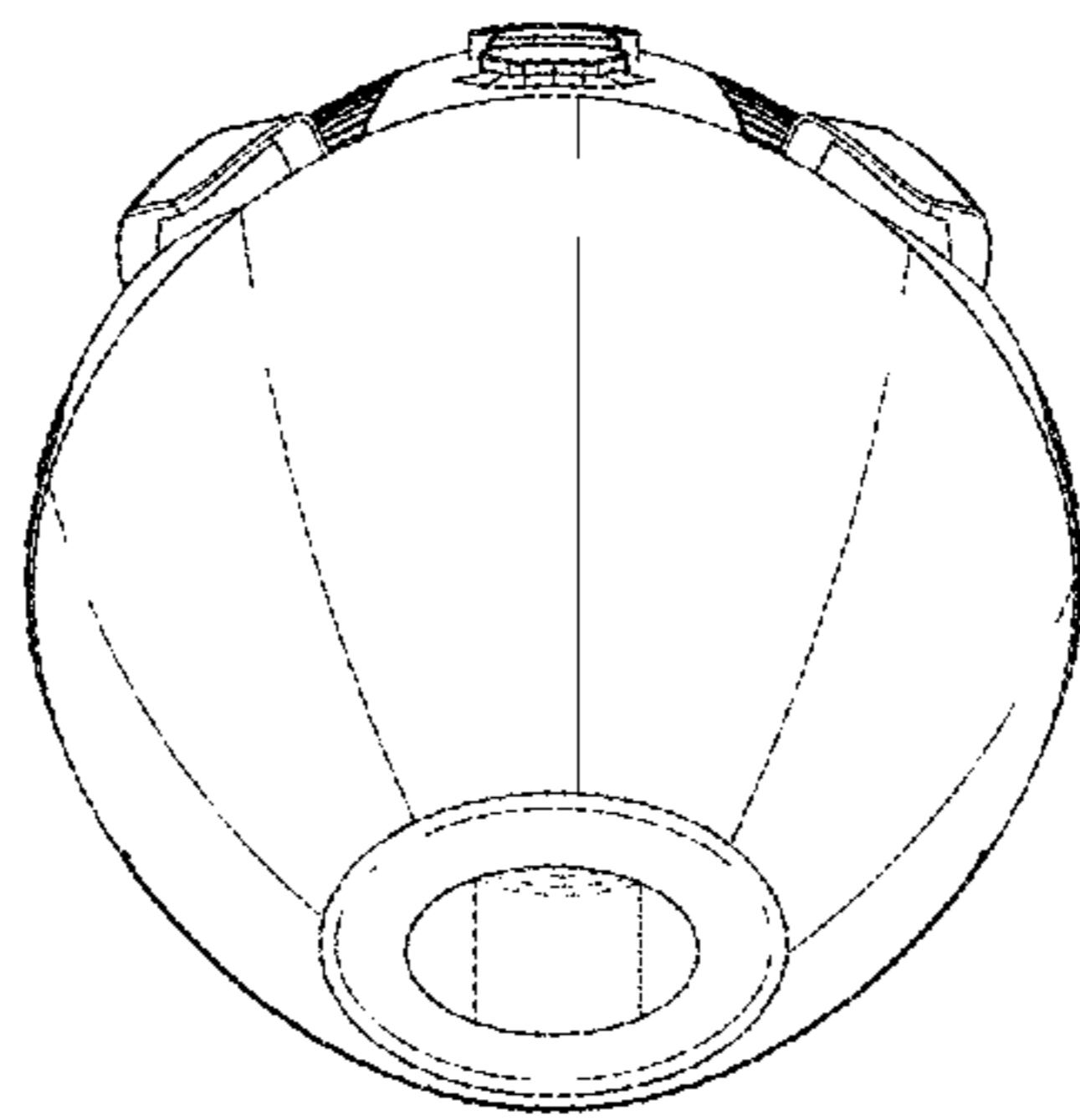


FIG. 3

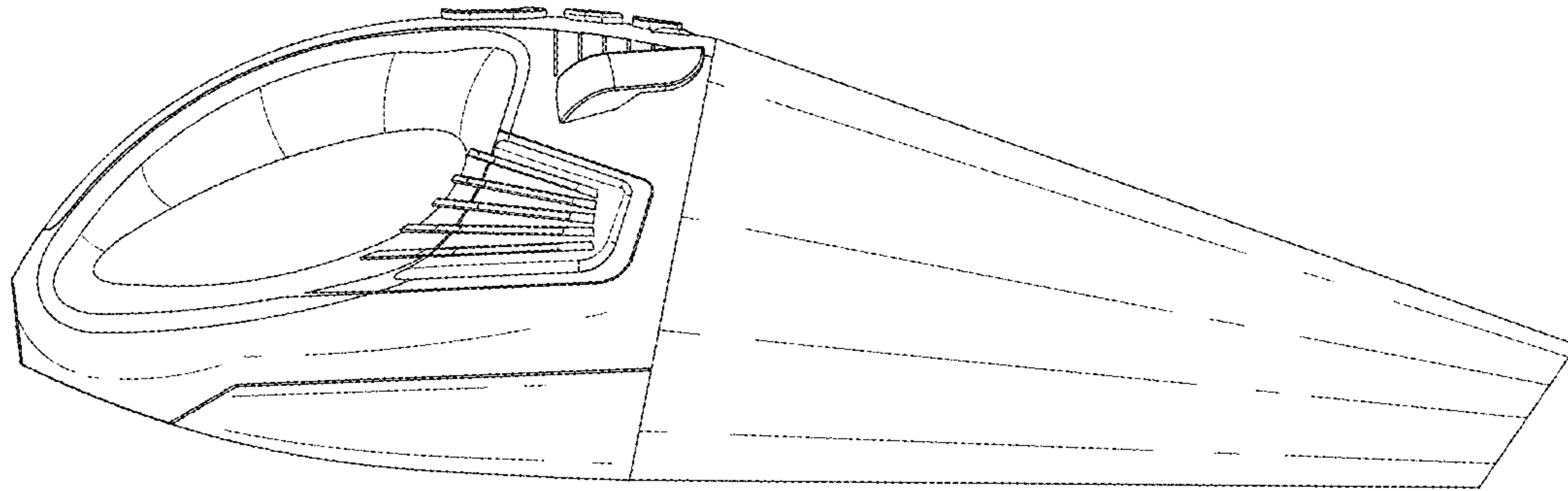


FIG. 4

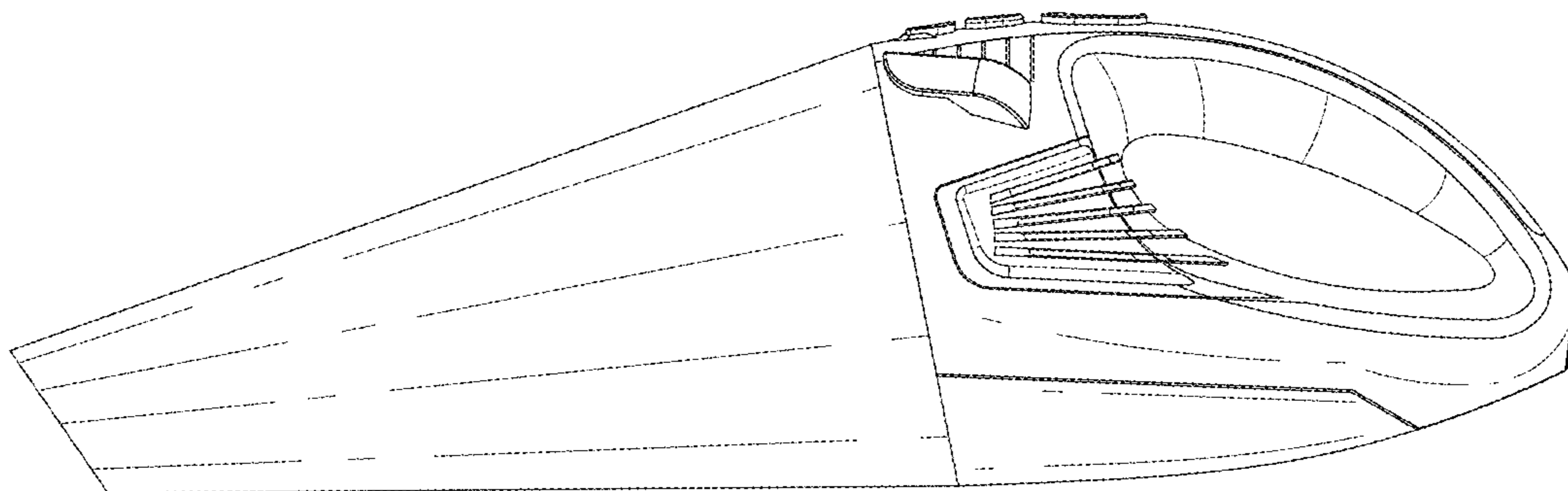


FIG. 5

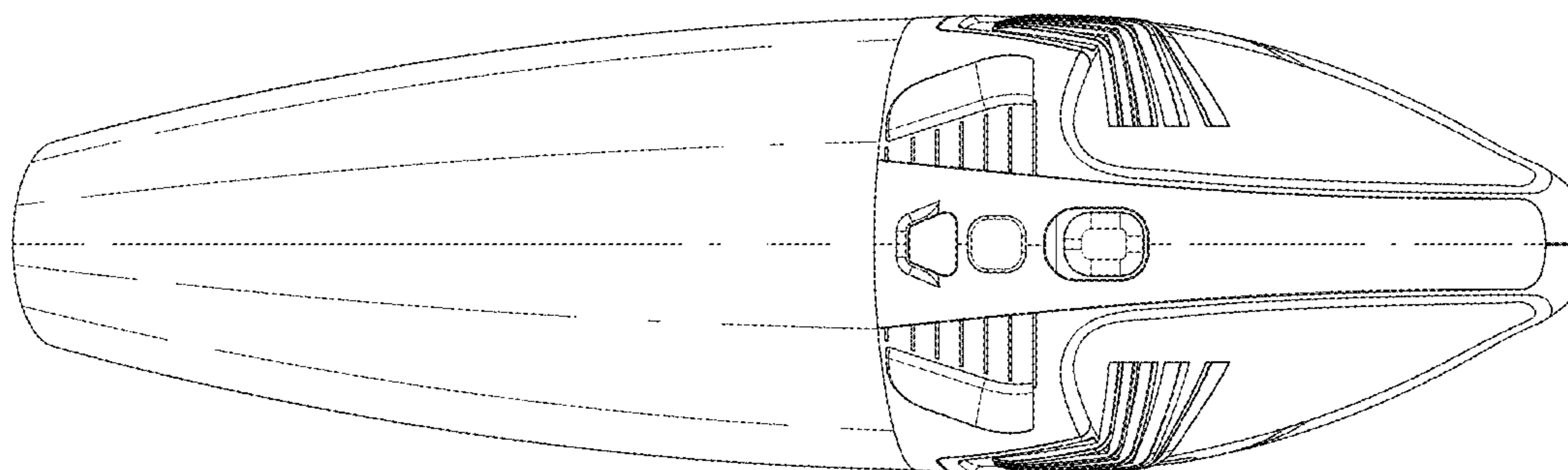


FIG. 6

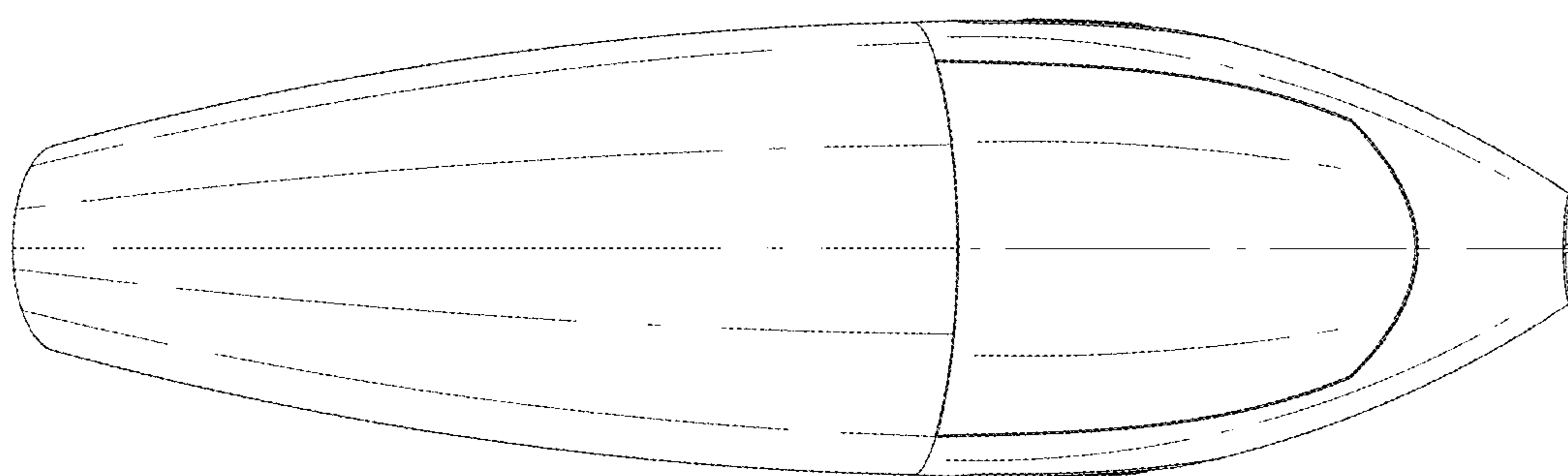


FIG. 7