

US00D961865S

(12) **United States Design Patent**  
**Tschopp**

(10) **Patent No.:** **US D961,865 S**

(45) **Date of Patent:** **\*\* Aug. 23, 2022**

(54) **PRESSURE WASHER**

(71) Applicant: **BLACK & DECKER INC.**, New Britain, CT (US)

(72) Inventor: **Tylan A. Tschopp**, Batimore, MD (US)

(73) Assignee: **BLACK & DECKER INC.**, New Britain, CT (US)

(\*\*) Term: **15 Years**

(21) Appl. No.: **29/801,571**

(22) Filed: **Jul. 29, 2021**

**Related U.S. Application Data**

(63) Continuation of application No. 29/699,748, filed on Jul. 29, 2019, now Pat. No. Des. 929,684.

(51) **LOC (13) Cl.** ..... **15-05**

(52) **U.S. Cl.**  
USPC ..... **D32/16**

(58) **Field of Classification Search**  
USPC ..... D32/14-16  
CPC ..... B08B 9/051; B08B 9/045; B65H 75/38  
See application file for complete search history.

(56) **References Cited**

**U.S. PATENT DOCUMENTS**

D499,848 S *	12/2004	Leasure	.....	D32/15
D520,687 S *	5/2006	Ricker	.....	D32/15
D665,545 S *	8/2012	Alexander	.....	D32/15
D675,794 S *	2/2013	Chen	.....	D32/15
D696,824 S *	12/2013	Dammkoehler	.....	D32/15
D728,872 S *	5/2015	Alexander	.....	D32/15
D729,468 S *	5/2015	Dammkoehler	.....	D32/15
D732,764 S *	6/2015	Kennard	.....	D32/15
D733,373 S *	6/2015	Kahan	.....	D32/16
D778,011 S *	1/2017	Alexander	.....	D32/16
D779,744 S *	2/2017	Weinberg	.....	D32/16
D779,746 S *	2/2017	Weinberg	.....	D32/16

D781,010 S *	3/2017	Meyer	.....	D32/16
D781,511 S *	3/2017	Meyer	.....	D32/16
D809,721 S *	2/2018	Venard	.....	D32/15
D824,612 S *	7/2018	Alexander	.....	D32/16
D824,613 S *	7/2018	Alexander	.....	D32/16
D831,909 S *	10/2018	Tinius	.....	D32/16
D894,505 S *	8/2020	Yang	.....	D32/15
D903,960 S *	12/2020	Yang	.....	D32/15
D919,207 S *	5/2021	Dammkoehler	.....	D32/15
D919,909 S *	5/2021	Tschopp	.....	D32/15
D929,684 S *	8/2021	Tschopp	.....	D32/16
D932,120 S *	9/2021	Xu	.....	D32/15
D937,508 S *	11/2021	Alexander	.....	D32/15
D940,411 S *	1/2022	Tschopp	.....	D32/15

\* cited by examiner

*Primary Examiner* — John R Yeh

(74) *Attorney, Agent, or Firm* — Adan Ayala

(57) **CLAIM**

The ornamental design for a pressure washer, as shown and described.

**DESCRIPTION**

FIG. 1 is a front perspective view of portions of a pressure washer according to the invention.

FIG. 2 is a front view of portions of the pressure washer of FIG. 1.

FIG. 3 is a rear view of portions of the pressure washer of FIG. 1.

FIG. 4 is a right side view of portions of the pressure washer of FIG. 1.

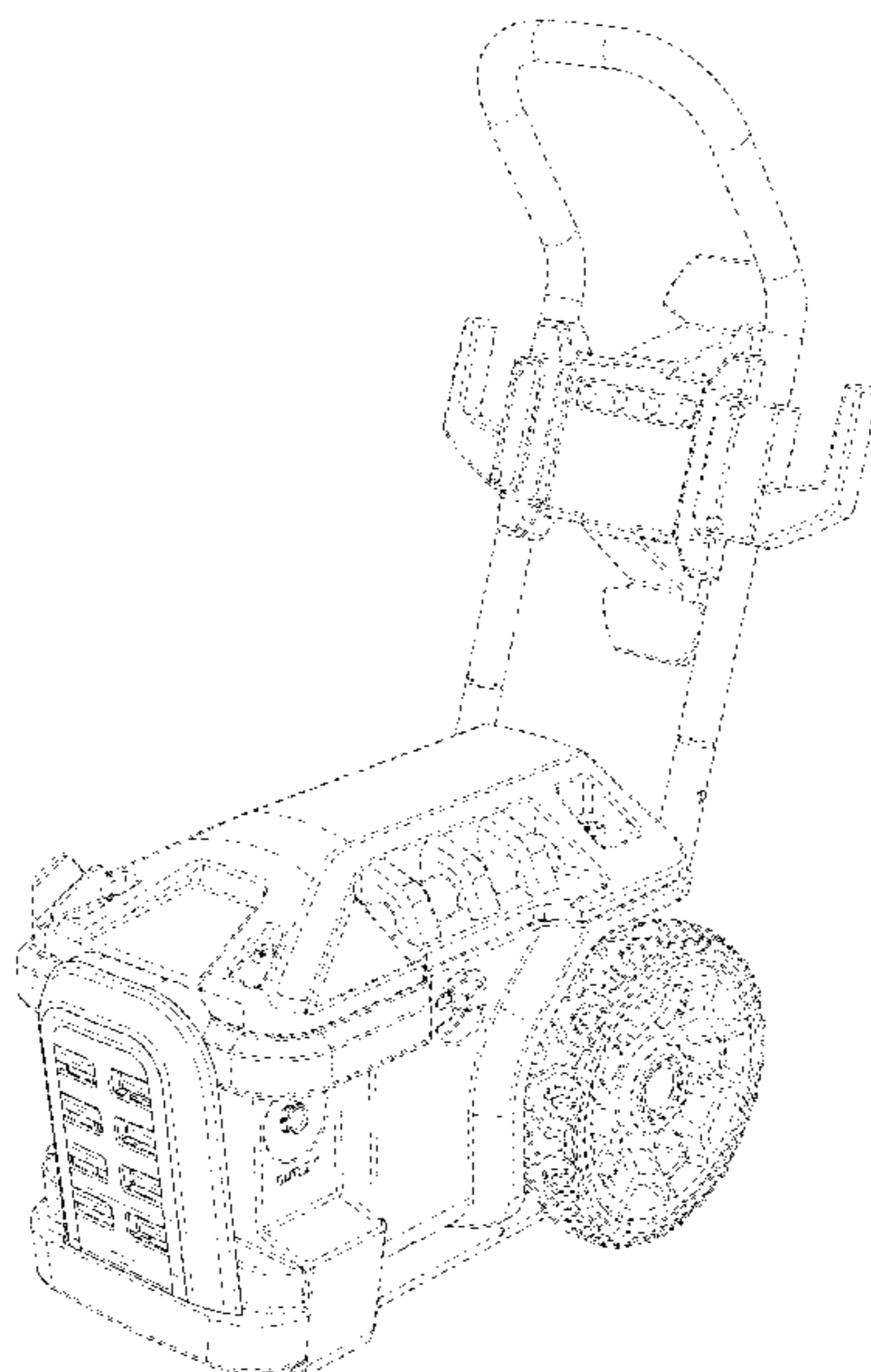
FIG. 5 is a left side view of portions of the pressure washer of FIG. 1.

FIG. 6 is a top plan view of portions of the pressure washer of FIG. 1; and,

FIG. 7 is a bottom plan view of portions of the pressure washer of FIG. 1.

The broken lines in the figures depict portions of the pressure washer and form no part of the claimed design.

**1 Claim, 7 Drawing Sheets**



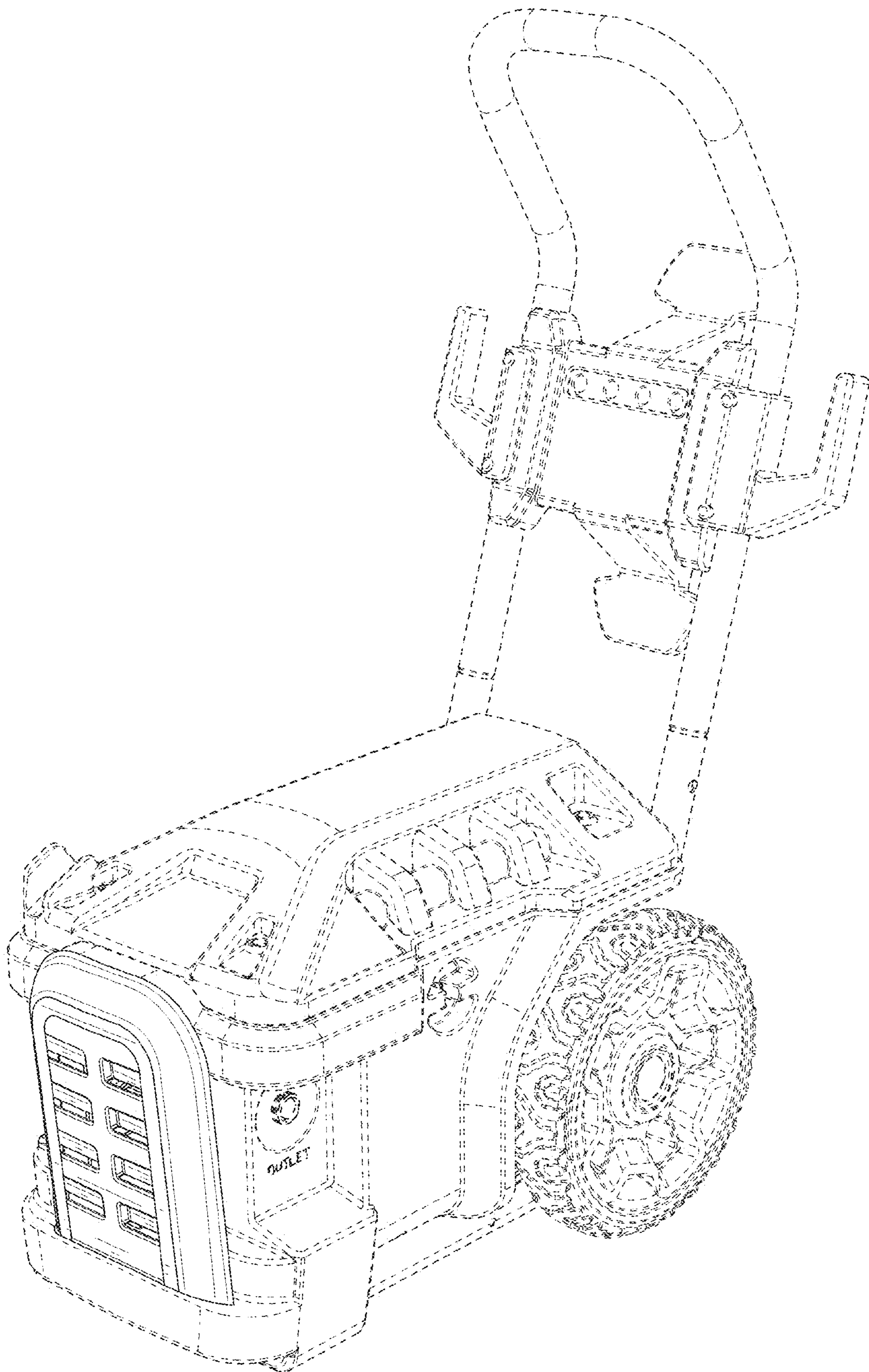


FIG. 1

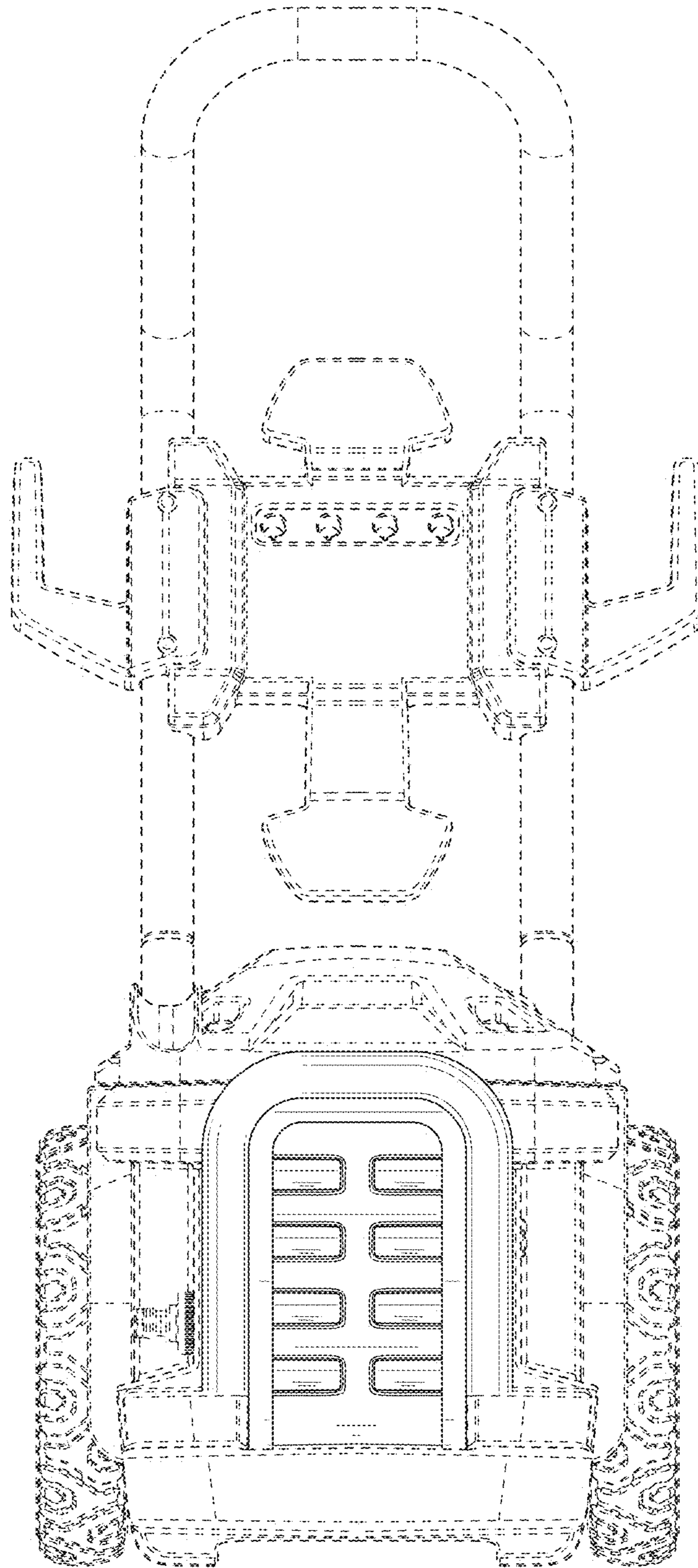


FIG. 2

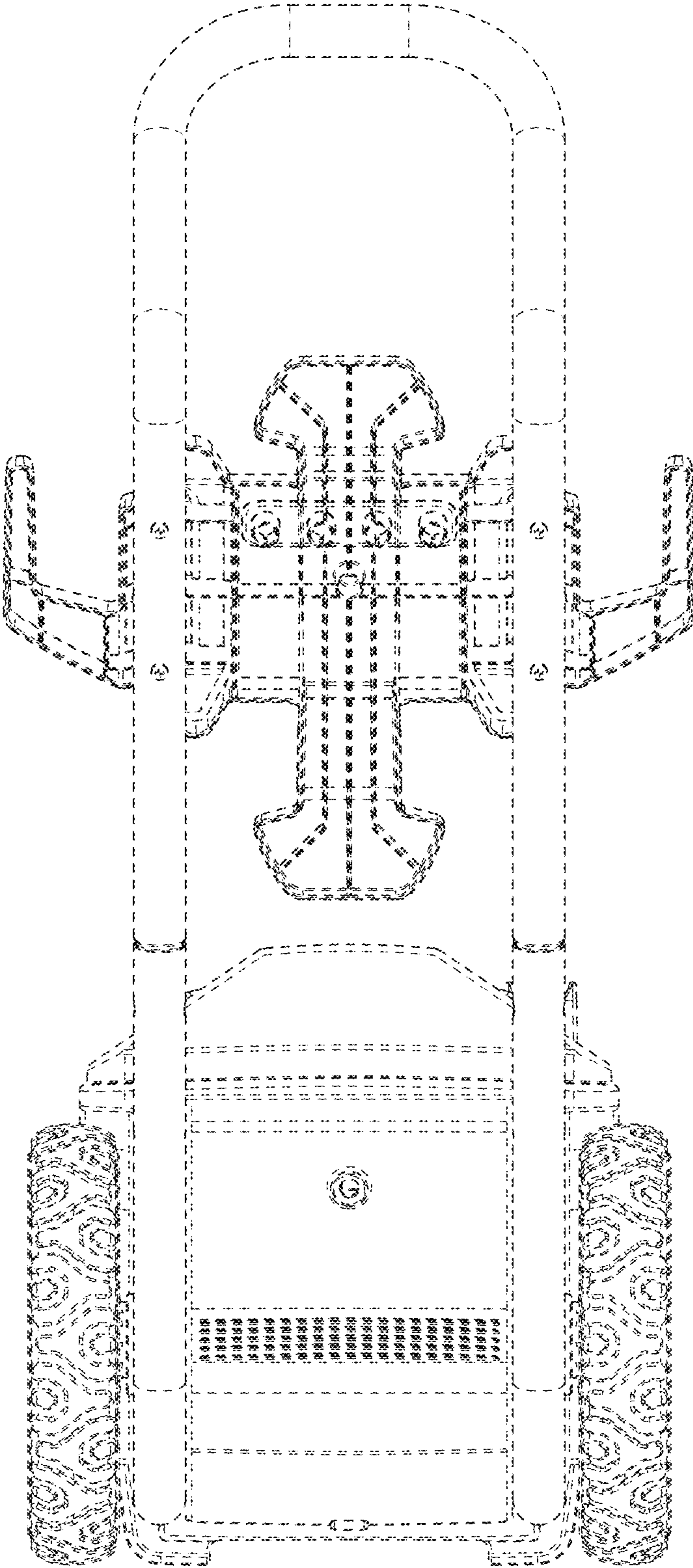


FIG. 3

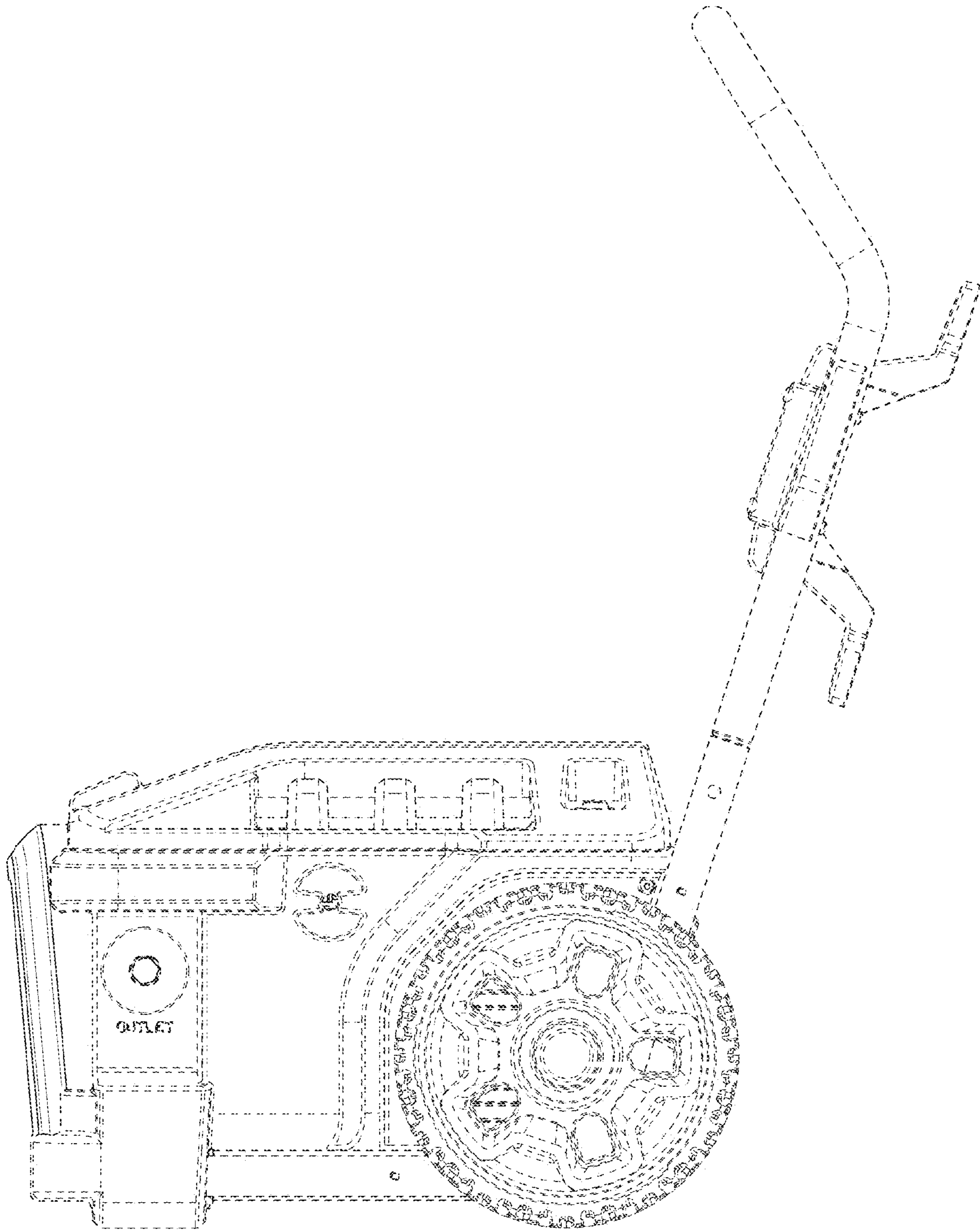


FIG. 4

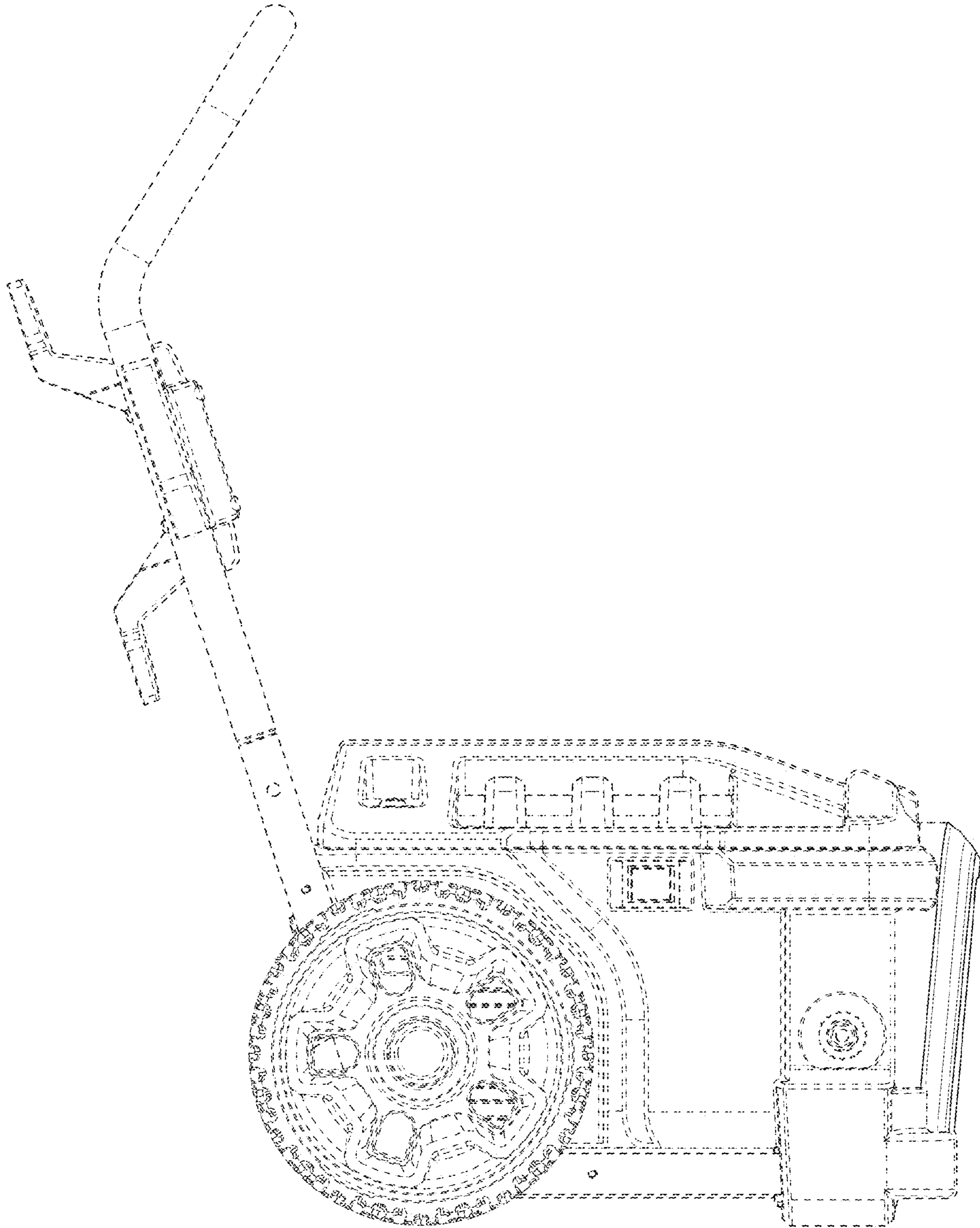


FIG. 5

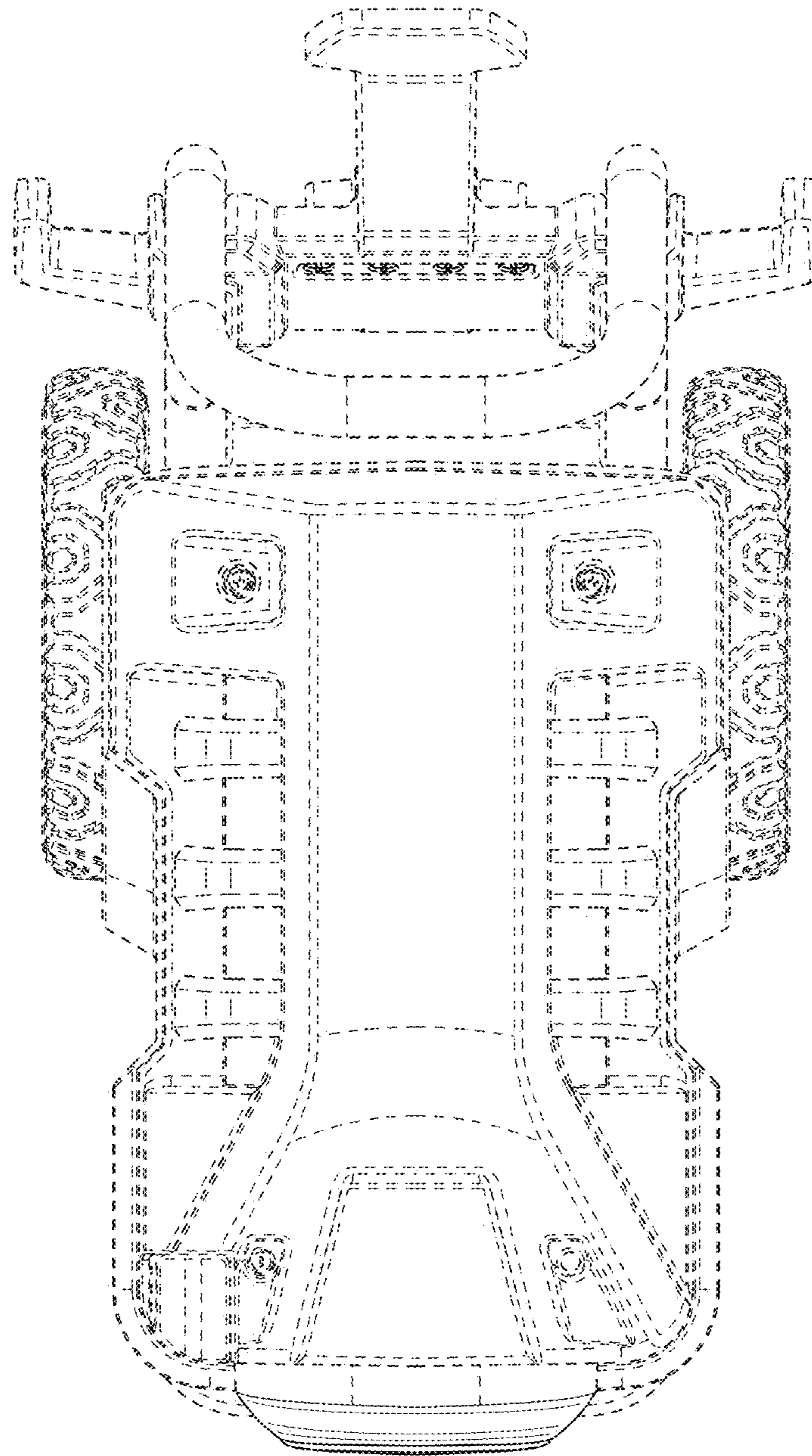


FIG. 6

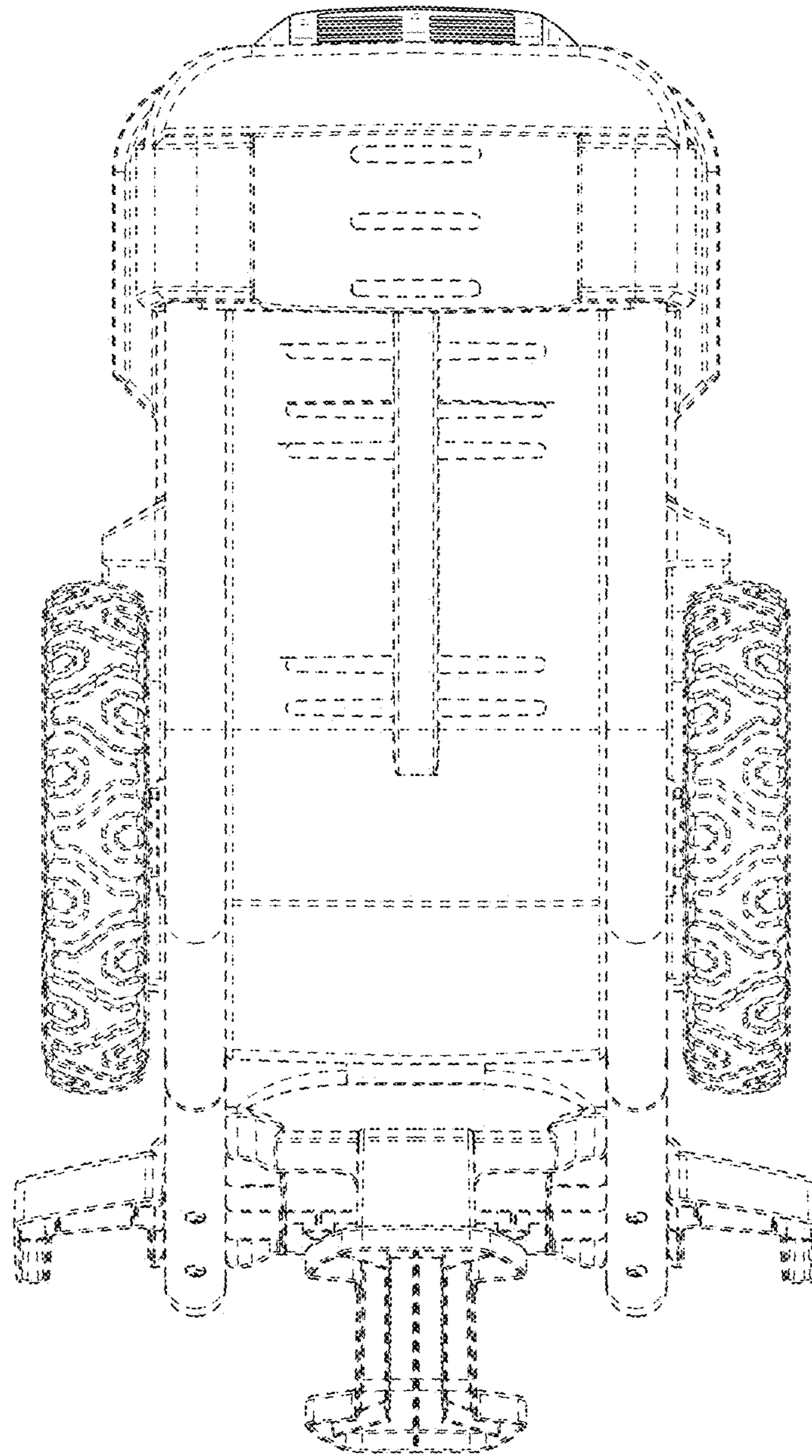


FIG. 7