



US00D961864S

(12) **United States Design Patent**  
**Mo**

(10) **Patent No.:** **US D961,864 S**  
(45) **Date of Patent:** **\*\* Aug. 23, 2022**

- (54) **DOG TRAINER TRANSMITTER**
- (71) Applicant: **Xijian Mo**, Shenzhen (CN)
- (72) Inventor: **Xijian Mo**, Shenzhen (CN)
- (\*\*) Term: **15 Years**
- (21) Appl. No.: **29/816,498**
- (22) Filed: **Nov. 23, 2021**
- (51) **LOC (13) Cl.** ..... **30-99**
- (52) **U.S. Cl.**  
USPC ..... **D30/199; D10/104.1**
- (58) **Field of Classification Search**  
USPC ..... D30/151-155, 144, 199, 160;  
119/792-798, 850, 855-859, 863-865,  
119/654, 905, 907, 815, 712, 802, 784,  
119/769, 760, 776, 862, 908, 860,  
119/719-721; 242/381.1-381.2, 385.4,  
242/378.3, 376.1, 385.1, 916, 601, 570,  
242/405, 404, 371, 223, 170, 388.1,  
242/405.2, 377, 381.3, 381.6, 405.3,  
242/388.6, 384.7, 382, 396.1, 404.1, 380;  
362/108; 33/767, 769, 414; D12/400;  
D3/229, 230, 207, 208, 215; 40/1.5, 455,  
40/640, 303; 206/63.3, 459.5, 702, 408;  
D6/515; D8/358, 360, 347, 360.1, 359,  
D8/356, DIG. 1; D24/145, 167, 186, 146,  
D24/169; D10/57, 72, 106.1, 104.1,  
D10/104.2, 109.2, 70, 97, 98, 78, 65;  
D20/28; 224/666, 678; 16/445; 283/74,  
283/70; D11/232, 200, 216, 1, 2, 86, 87,  
D11/201, 206-210, 212-215, 218;  
24/163 K, 122.3, 323, 702, 600.4-600.7,  
24/163 R, 169-171, 173, 177-179, 191,  
24/194, 195, 197, 200, 303, 616, 635,  
24/313, 615, 3, 6, 3 K, 599.2, 96, 221,  
24/237, 311, 312, 314, 321, 338, 339,  
24/309; 428/3, 4; 54/76, 1, 71; 63/29.1,  
63/3; 191/12.2 R, 12.4; D13/154, 153,  
D13/137.4, 155, 103, 168; D19/69, 67;

379/438; 446/26; 473/576; D22/140;  
174/135; 439/504, 13, 501; D34/33;  
188/83, 82.1, 65.1; 254/134.3 FT;  
D29/124; D2/627, 624, 633, 625;  
132/145, 146, 148; 2/314; 59/79.1;  
340/573.3, 573.1, 573, 573.4,  
340/539.13-539.19; 343/895; 278/8;  
231/7; 361/232; D14/344, 341, 137,  
D14/155, 496, 203.5, 203.3, 144, 218,  
D14/188, 216, 192; 342/357.51, 357.57,  
(Continued)

(56) **References Cited**

U.S. PATENT DOCUMENTS

D395,882 S \* 7/1998 Oross ..... D14/137  
8,181,607 B2 \* 5/2012 Kim ..... A01K 15/021  
119/908

(Continued)

*Primary Examiner* — Susan Moon Lee  
(74) *Attorney, Agent, or Firm* — True Shepherd LLC;  
Andrew C. Cheng

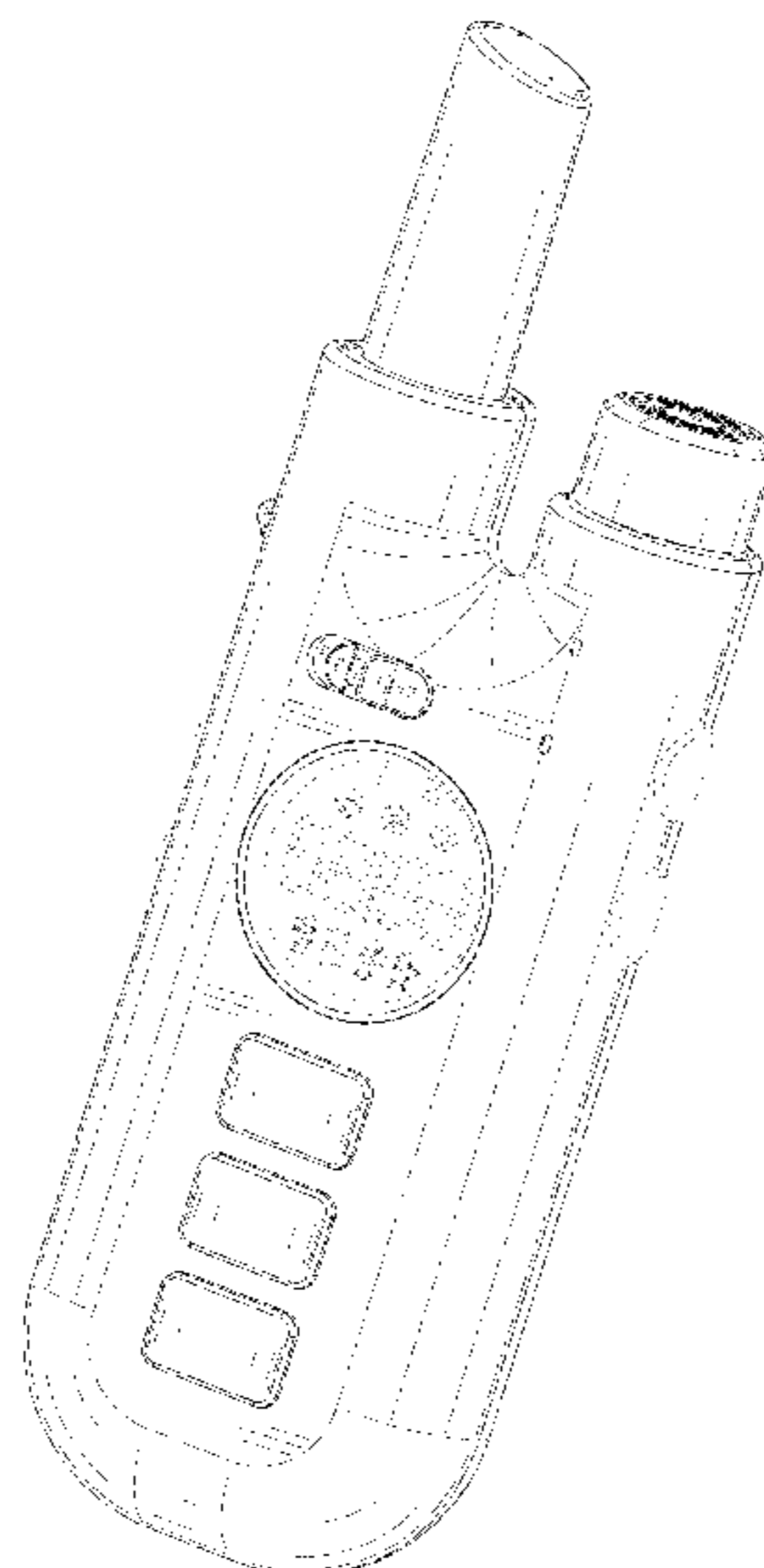
(57) **CLAIM**

The ornamental design for a dog trainer transmitter, as shown and described.

**DESCRIPTION**

FIG. 1 is a perspective view of a dog trainer transmitter showing my new design;  
FIG. 2 is a front view thereof;  
FIG. 3 is a rear view thereof;  
FIG. 4 is a right side view thereof;  
FIG. 5 is a left side view thereof;  
FIG. 6 is a top plan view thereof; and,  
FIG. 7 is a bottom plan view thereof.  
The broken lines depict portions of the dog trainer transmitter and form no part of the claimed design.

**1 Claim, 7 Drawing Sheets**



(58) **Field of Classification Search**

USPC .... 342/357.52, 357.55; 455/100, 352, 456.1,  
455/550.1, 90.2; 315/291  
CPC .... A01K 15/021; A01K 15/02; A01K 15/022;  
A01K 15/023; A01K 15/029; A01K  
15/04; A01K 15/00; A01K 15/006; A01K  
12/022; A01K 27/009; A01K 27/00;  
A01K 27/001; A01K 27/006-008; A01K  
29/005; A01K 29/00; A61B 5/0002-0028;  
A61B 5/681; A61B 5/6822; A61B  
5/6824; A61B 5/6829; G01S 5/0294;  
H04B 1/38

See application file for complete search history.

(56) **References Cited**

U.S. PATENT DOCUMENTS

D685,757 S *	7/2013	Liu	.....	D14/155
D813,473 S *	3/2018	Ni	.....	D10/104.1
D884,995 S *	5/2020	Ni	.....	D10/104.1
D897,057 S	9/2020	Jia		
D904,702 S	12/2020	Jia		
D915,319 S *	4/2021	Tschopp	.....	D14/137
D925,142 S *	7/2021	Jia	.....	D10/104.1
D934,514 S	10/2021	Wen		
D935,112 S *	11/2021	Guo	.....	D10/104.1
D944,471 S *	2/2022	Li	.....	D10/104.1
D946,218 S *	3/2022	Xiao	.....	D10/104.1
D950,866 S *	5/2022	Wen	.....	D10/104.1

\* cited by examiner

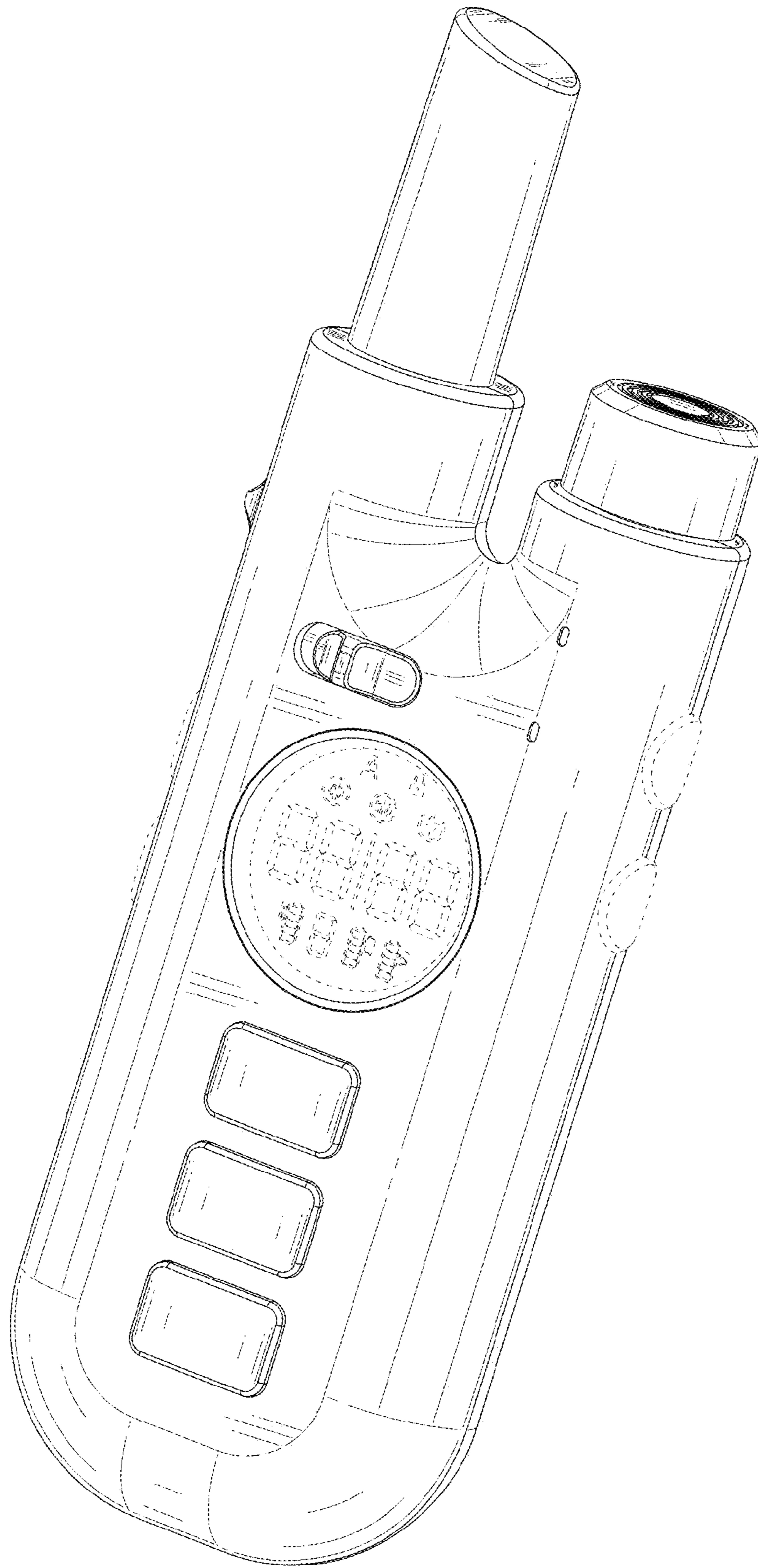


FIG. 1

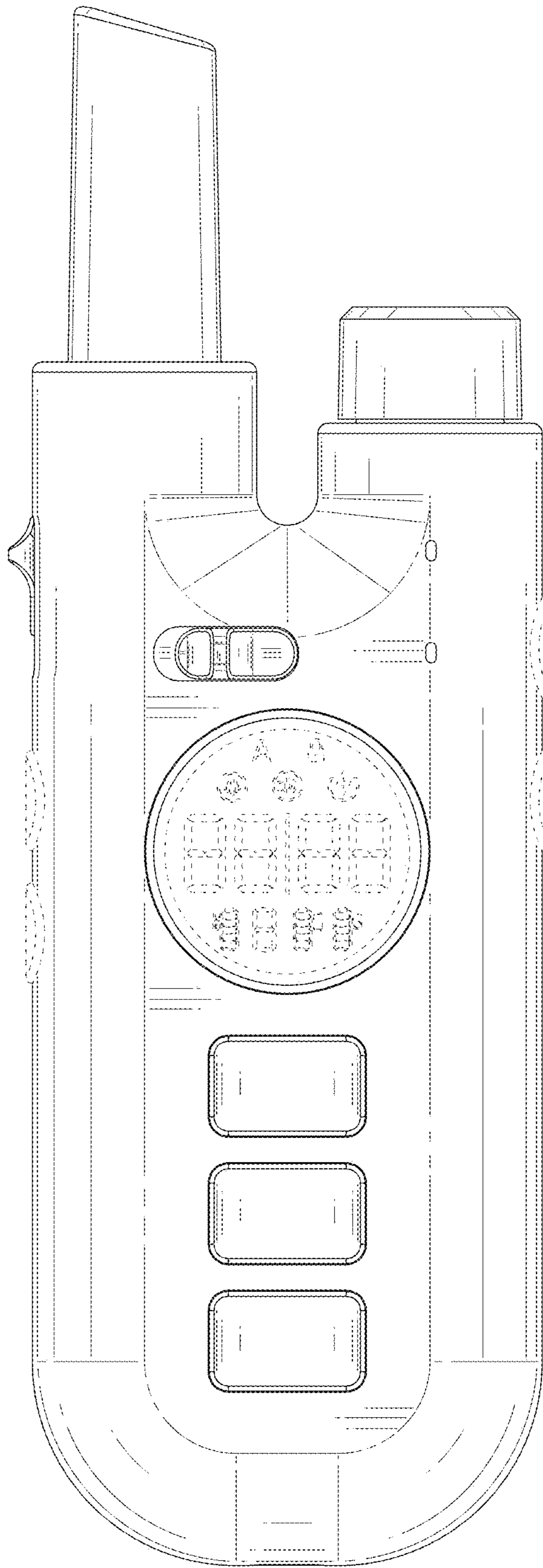


FIG. 2



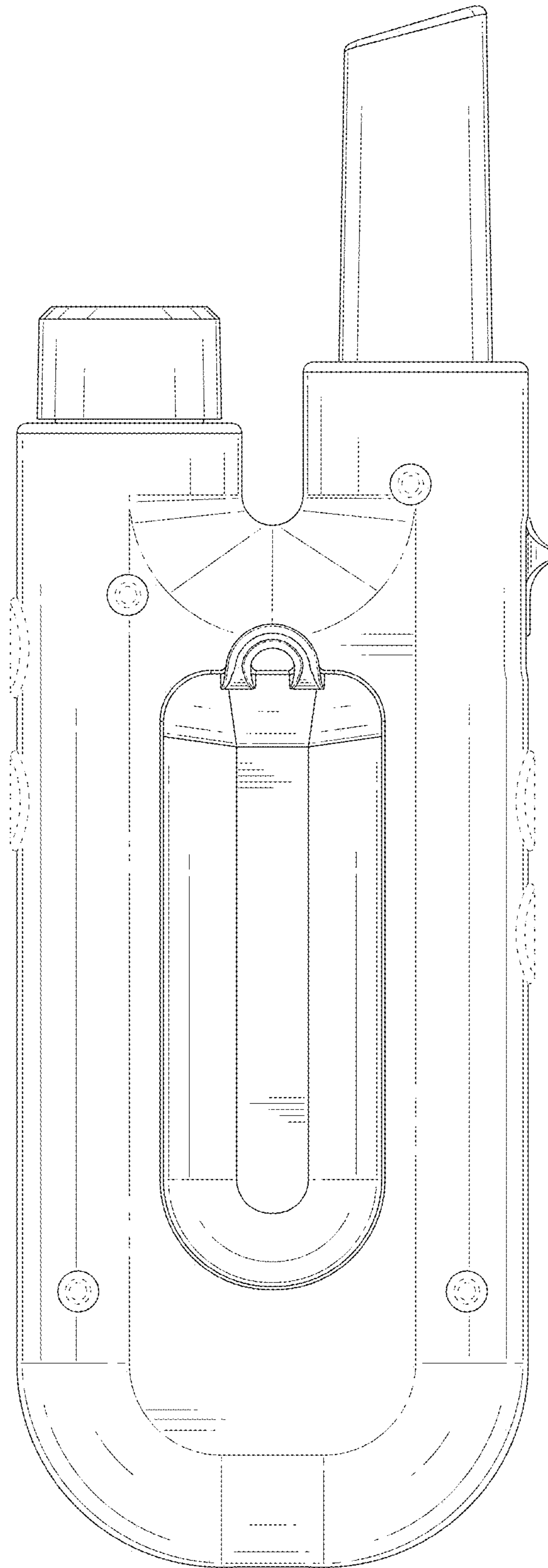


FIG. 3

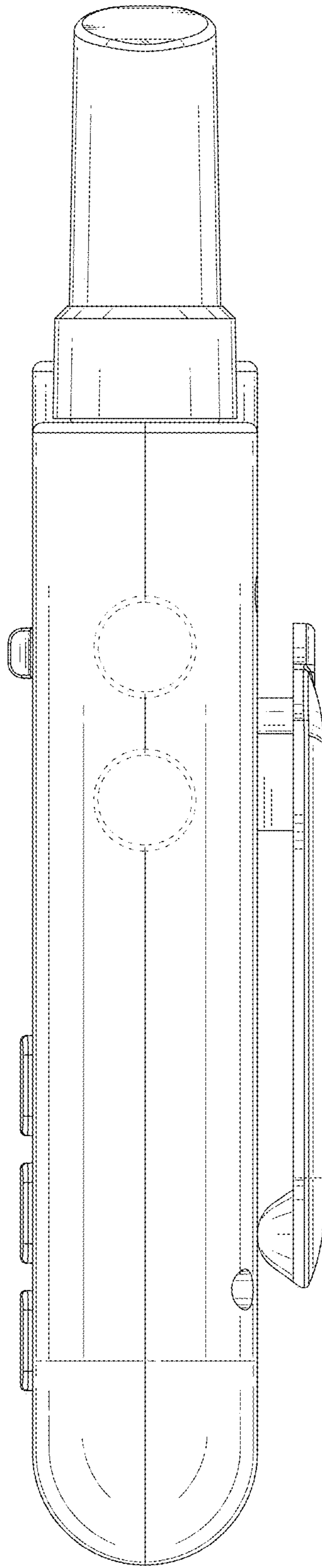


FIG. 4

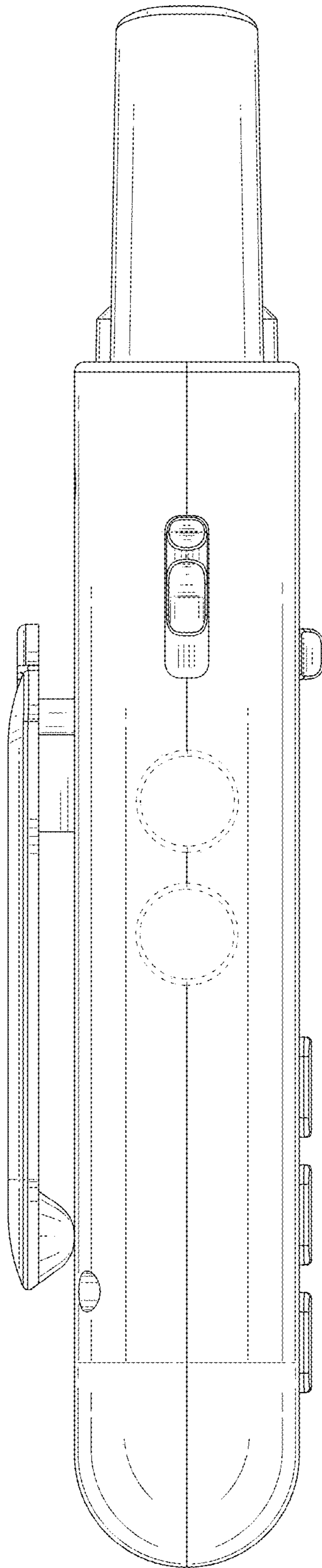


FIG. 5

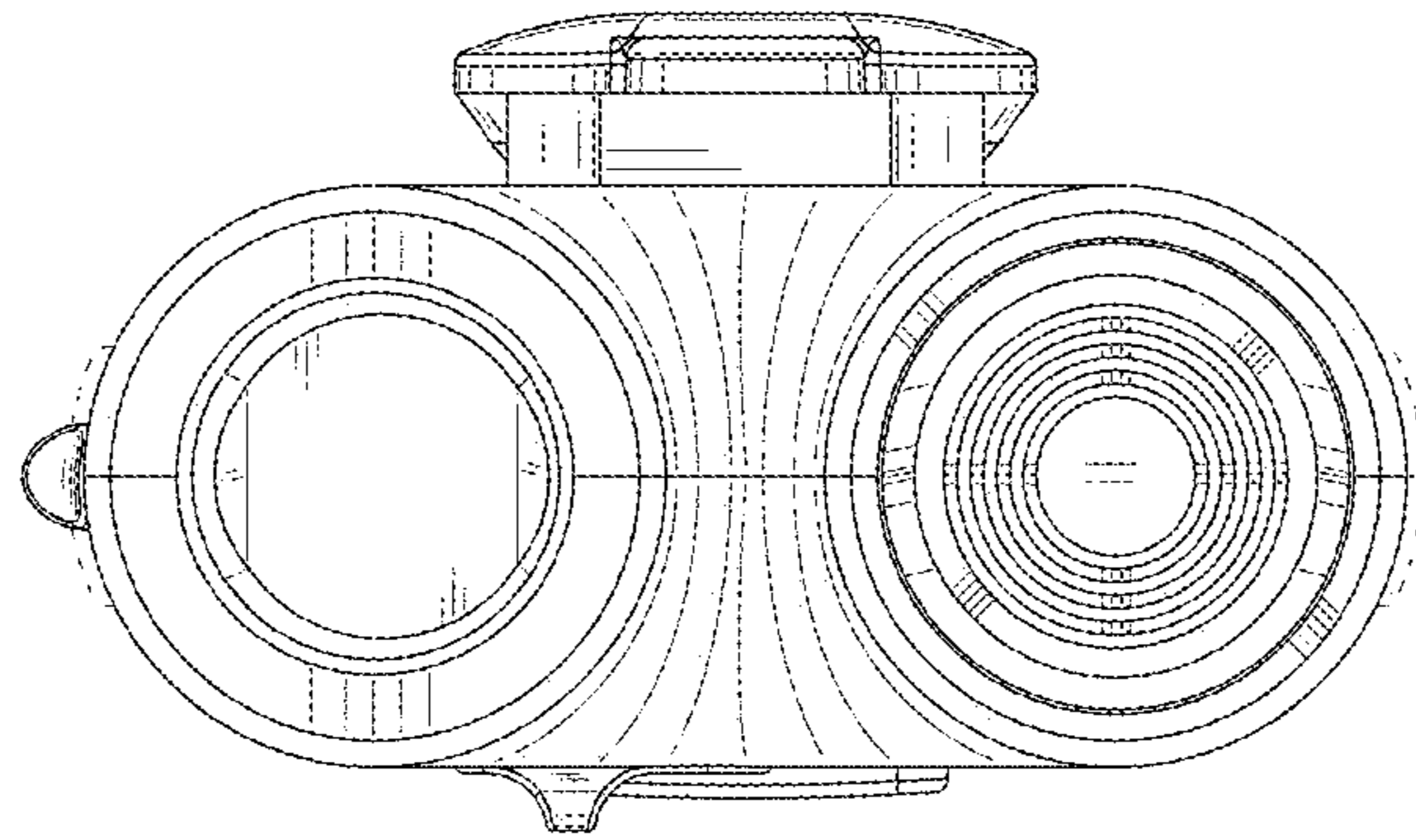


FIG. 6



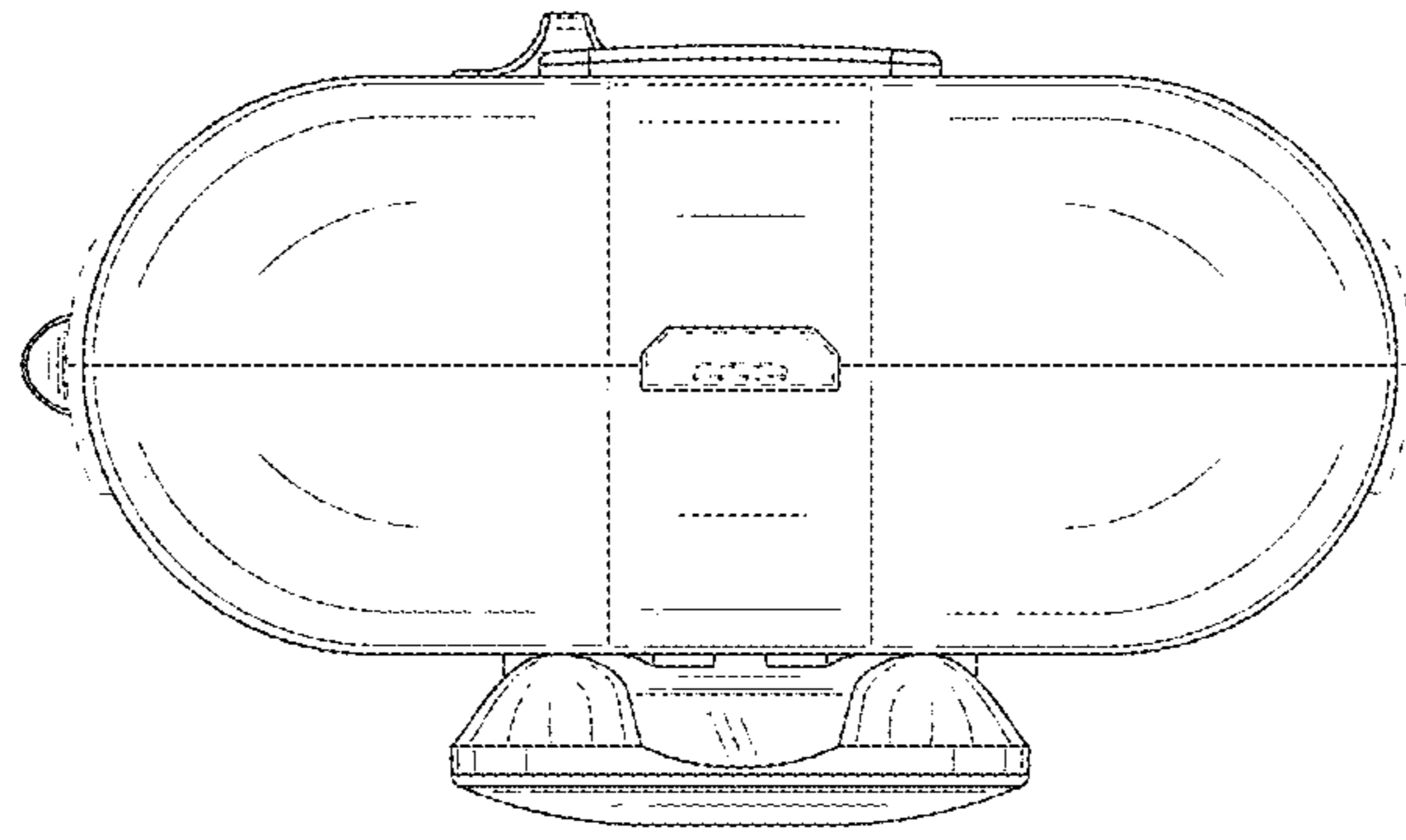


FIG. 7