



US00D961861S

(12) **United States Design Patent**  
**Cai**

(10) **Patent No.:** **US D961,861 S**

(45) **Date of Patent:** **\*\* Aug. 23, 2022**

(54) **PET TOY**

(71) Applicant: **SHENZHEN YUANSHIREN INDUSTRIAL DESIGN CO., LTD.**,  
Shenzhen (CN)

(72) Inventor: **Tiandong Cai**, Shenzhen (CN)

(73) Assignee: **SHENZHEN YUANSHIREN INDUSTRIAL DESIGN CO., LTD.**,  
Shenzhen (CN)

(\*\*) Term: **15 Years**

(21) Appl. No.: **29/775,489**

(22) Filed: **Mar. 23, 2021**

(30) **Foreign Application Priority Data**

Nov. 10, 2020 (CN) ..... 202030679481.X

(51) **LOC (13) Cl.** ..... **30-99**

(52) **U.S. Cl.**  
USPC ..... **D30/160**

(58) **Field of Classification Search**  
USPC ..... D30/160, 112, 119; D21/386, 398, 484,  
D21/707, 712, 713; D24/193, 194, 195,  
D24/211, 212, 214; D15/199  
CPC ..... A01K 15/025; A01K 15/02; A01K 15/029  
See application file for complete search history.

(56) **References Cited**

**U.S. PATENT DOCUMENTS**

D141,089 S \* 5/1945 Coble ..... D21/455  
D141,090 S \* 5/1945 Coble ..... D21/455  
D224,946 S \* 10/1972 De Ramel ..... D24/211

D626,706 S \* 11/2010 Ragonetti ..... D30/160  
D808,088 S \* 1/2018 Stone ..... D30/160  
D857,129 S \* 8/2019 Lim ..... D21/662  
D871,965 S \* 1/2020 Cao ..... D21/760  
D872,384 S \* 1/2020 Crane ..... D30/160  
D879,887 S \* 3/2020 Loftin, III ..... D6/601  
D881,483 S \* 4/2020 Lin ..... D30/160  
D881,484 S \* 4/2020 Lin ..... D30/160  
D890,024 S \* 7/2020 Schnapp ..... D12/1  
D892,879 S \* 8/2020 Suh ..... D15/199  
D915,007 S \* 3/2021 Chen ..... D30/160  
D925,136 S \* 7/2021 Lin ..... D30/160  
D930,058 S \* 9/2021 Mahe ..... D15/199  
11,213,013 B2 \* 1/2022 Suh ..... A01K 15/025  
2018/0208263 A1 \* 7/2018 Kim ..... B62K 27/003

\* cited by examiner

*Primary Examiner* — Samantha Wood  
*Assistant Examiner* — Aula Soroush

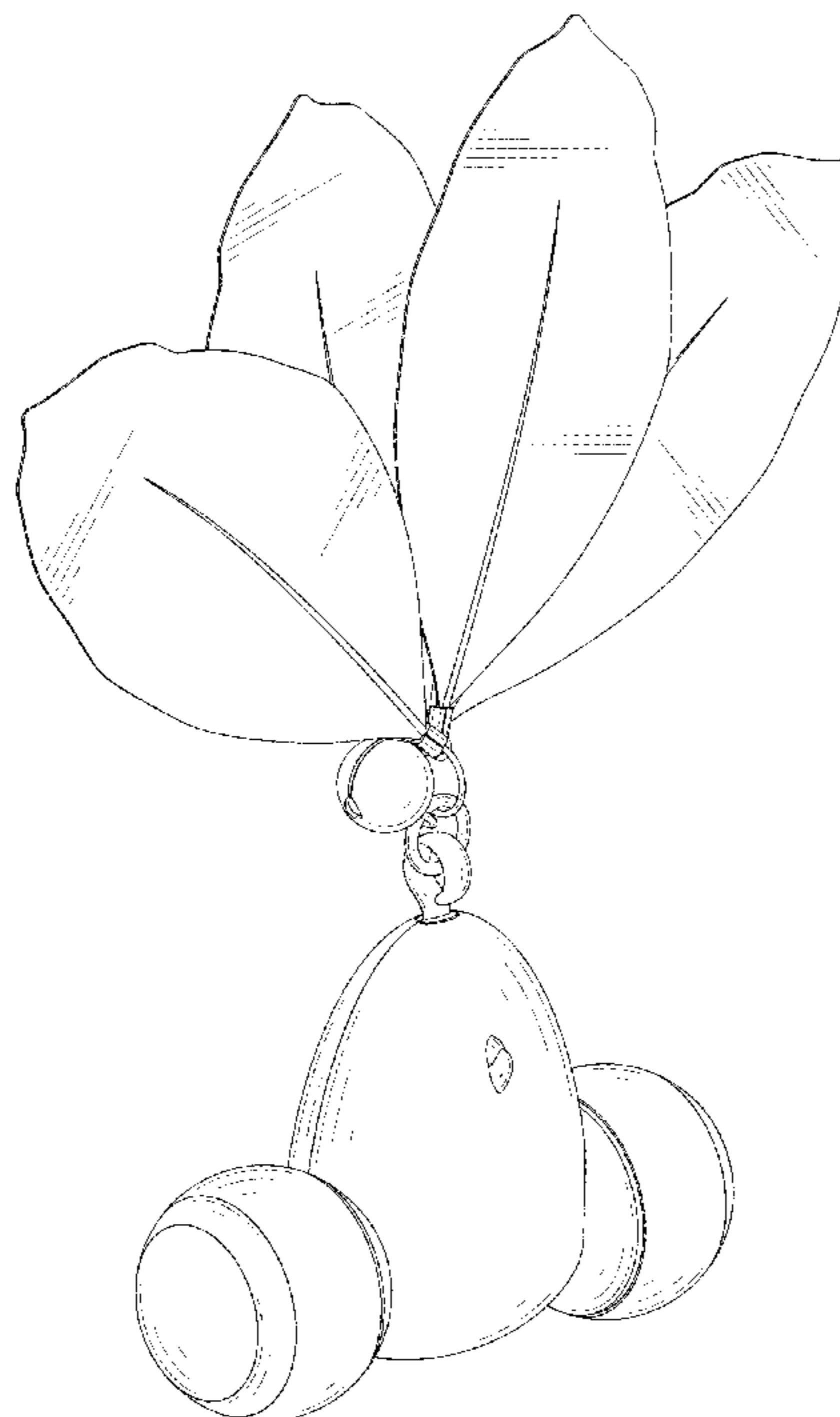
(57) **CLAIM**

The ornamental design for a pet toy, as shown and described.

**DESCRIPTION**

FIG. 1 is a perspective view of a pet toy showing my new design;  
FIG. 2 is another perspective view thereof;  
FIG. 3 is a front elevational view thereof;  
FIG. 4 is a rear elevational view thereof;  
FIG. 5 is a left side elevational view thereof;  
FIG. 6 is a right side elevational view thereof;  
FIG. 7 is a top plan view thereof; and,  
FIG. 8 is a bottom plan view thereof.  
The broken lines in the drawings depict portions of the pet toy that form no part of the claimed design.

**1 Claim, 8 Drawing Sheets**



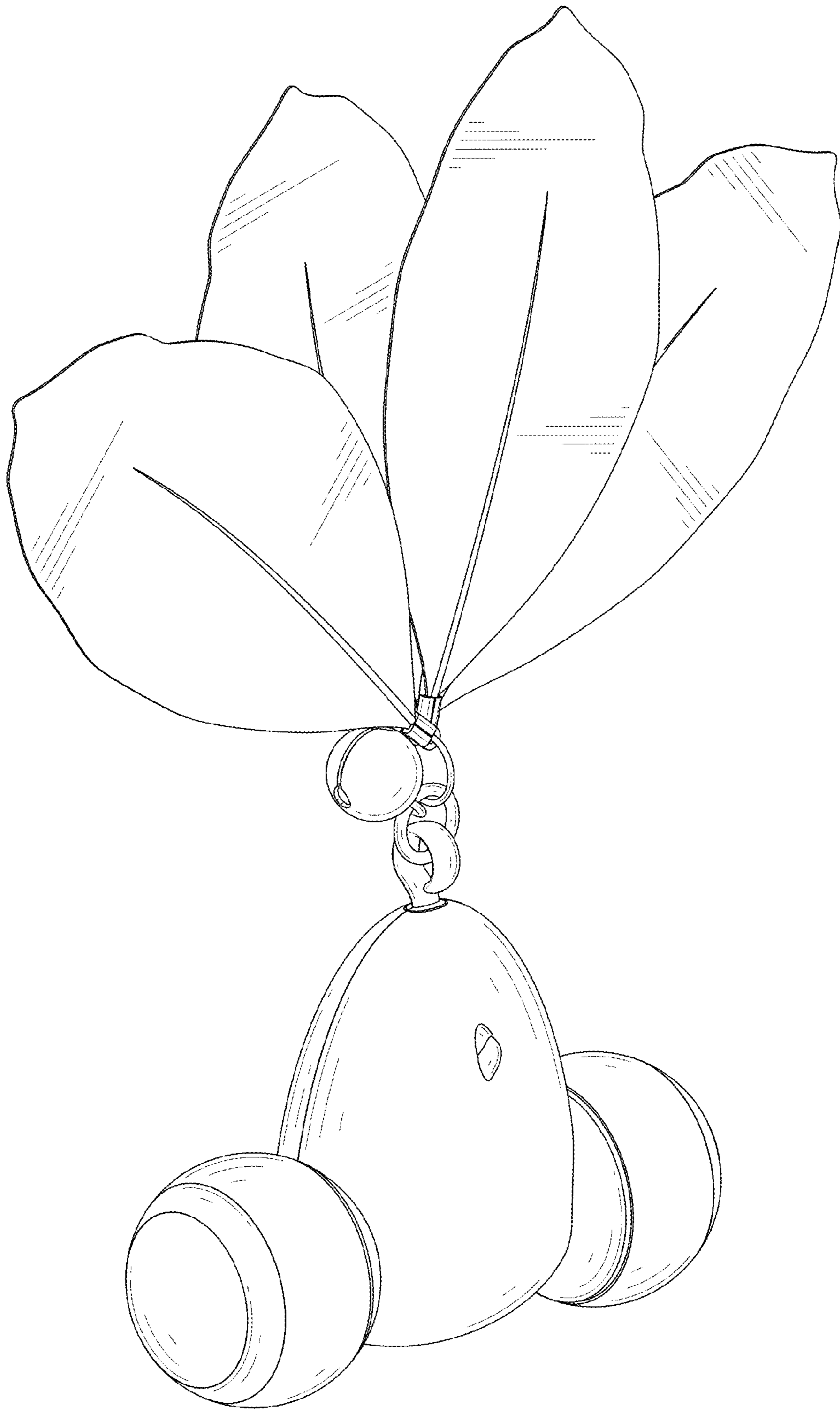


FIG. 1

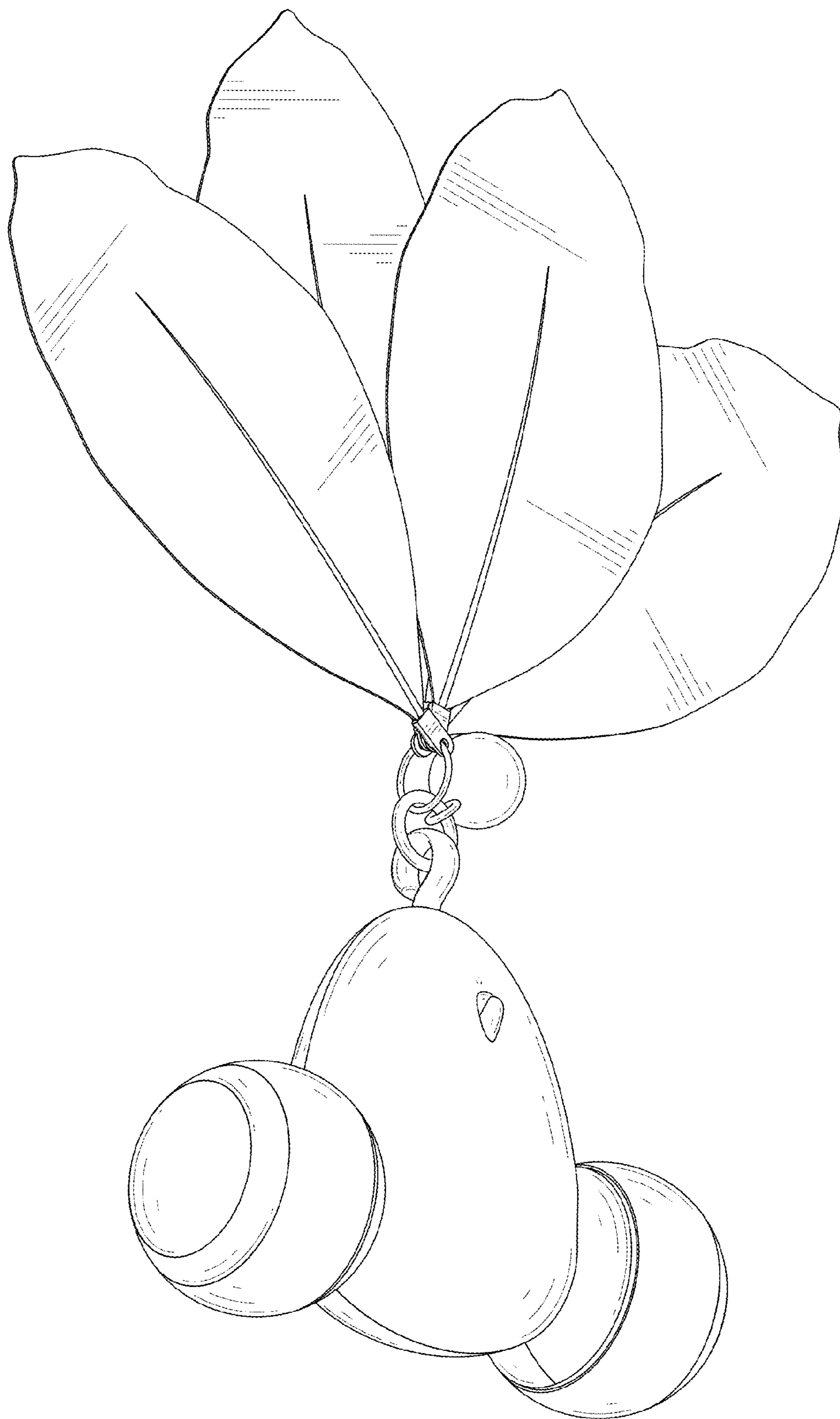


FIG. 2

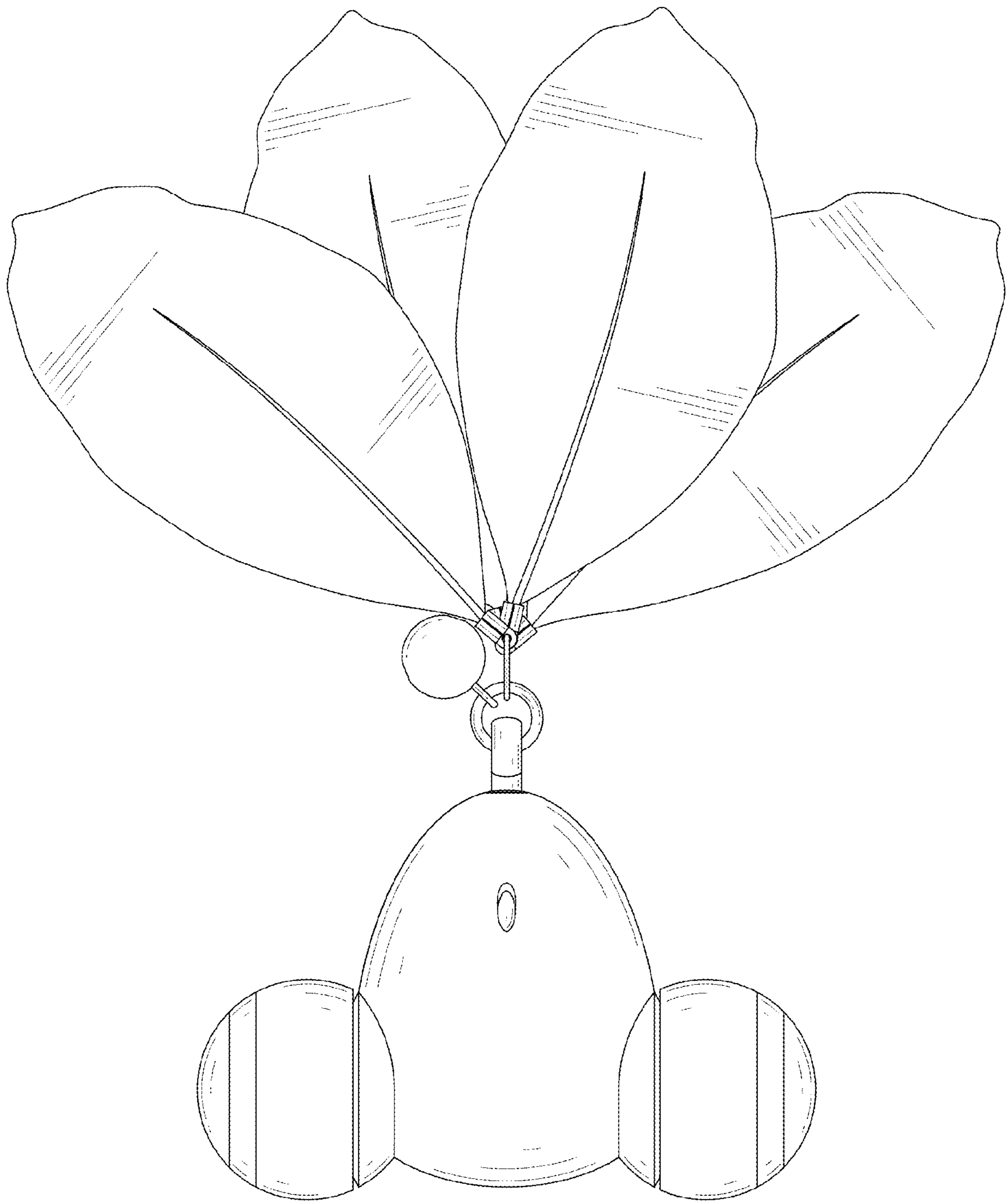


FIG. 3

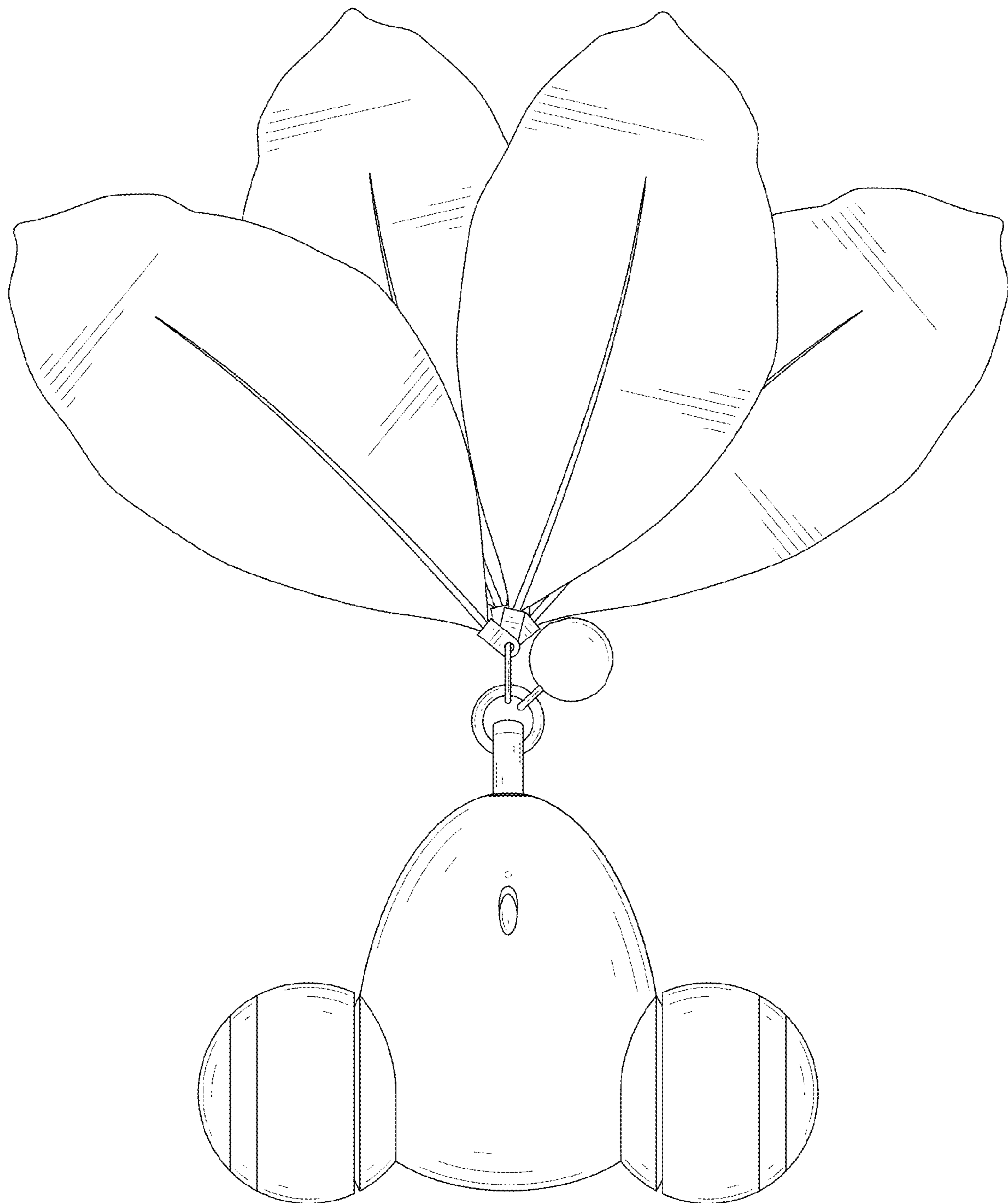


FIG. 4

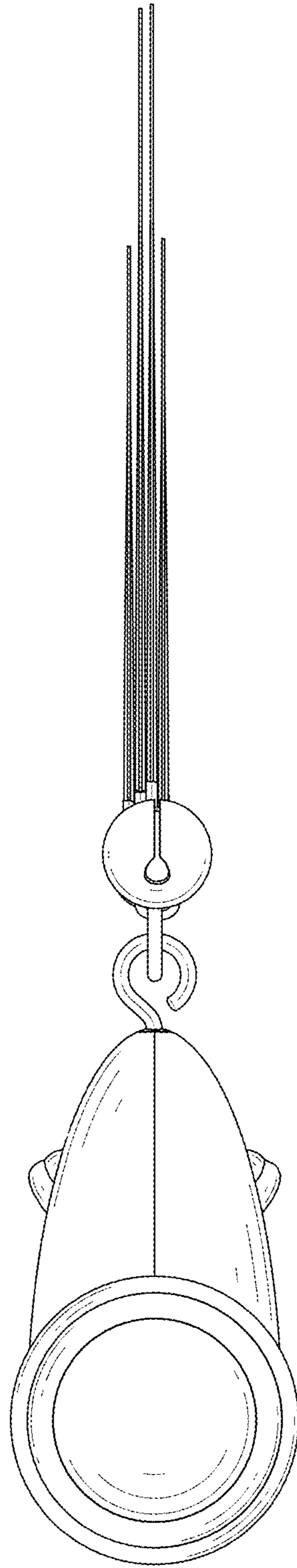


FIG. 5

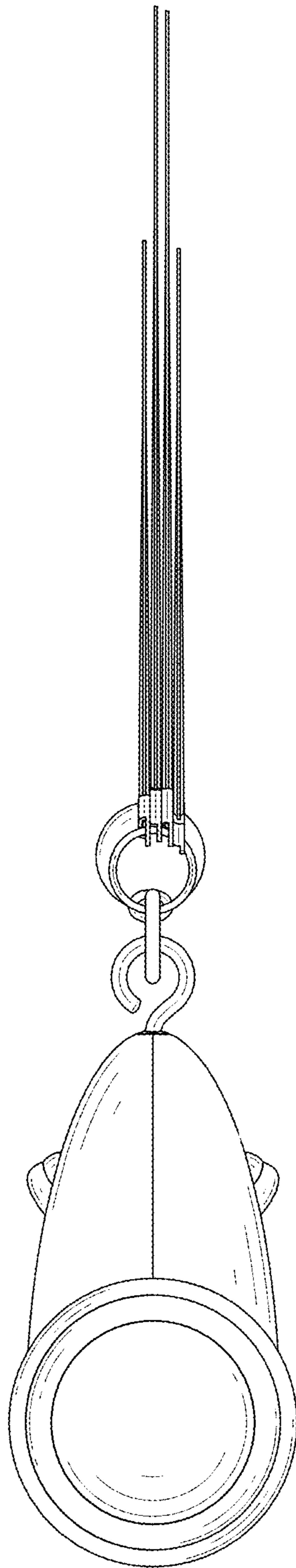


FIG. 6

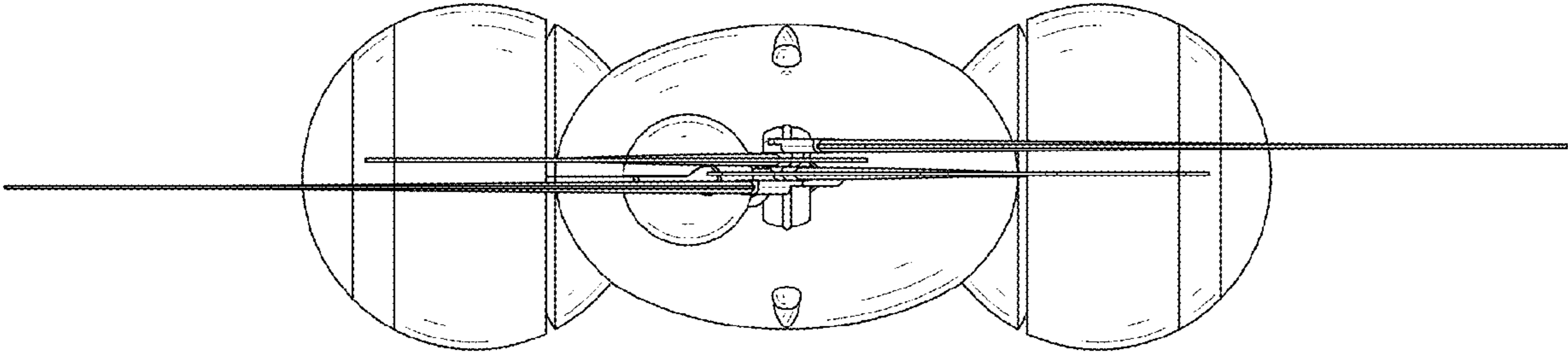


FIG. 7



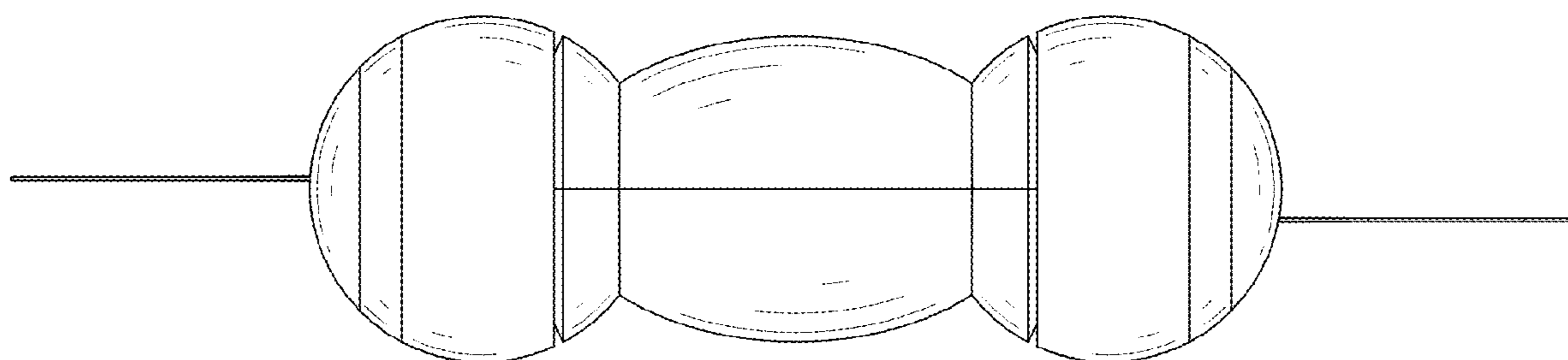


FIG. 8