



US00D961859S

(12) **United States Design Patent** (10) **Patent No.:** **US D961,859 S**  
**Tu** (45) **Date of Patent:** **\*\* Aug. 23, 2022**

(54) **GRINDING HEAD FOR NAILS**

(71) Applicant: **Zhushi Tu**, Hubei (CN)

(72) Inventor: **Zhushi Tu**, Hubei (CN)

(\*\*) Term: **15 Years**

(21) Appl. No.: **29/687,009**

(22) Filed: **Apr. 10, 2019**

(30) **Foreign Application Priority Data**

Nov. 7, 2018 (CN) ..... 201830626883.6

(51) **LOC (13) Cl.** ..... **30-99**

(52) **U.S. Cl.**  
USPC ..... **D30/158**; D30/199; D28/62; D28/58;  
D8/62; D8/70

(58) **Field of Classification Search**

USPC ..... D30/158, 199; 119/600, 468, 607-611,  
119/627, 633, 663, 601; D28/59, 36, 58,  
D28/44, 49, 50, 53, 85, 44.1, 51, 63;  
D8/61, 62, 82, DIG. 7; D24/147, 146,  
D24/214, 215, 200, 111, 133, 144, 156,  
D24/186; D4/100-102, 137, 119, 120,  
D4/199, 127, 121, 114, 115, 138;  
132/73.6, 75.8, 76.4, 73.5, 75.3, 75.6,  
132/76.5, 118, 119.1, 75.4, 75.5, 75;  
30/26, 29.5, 43, 43.4-43.6, 41.5, 206,  
30/133, 276, 29, 277.4, 240, 210, 43.92,  
30/392, 167, 329, 169; 15/23, 28, 22.1,  
15/101, 65, 104.04, 88, 104.095, 97.1,  
15/179; 451/356, 162-164; 452/98;  
81/3.42, 177.7, 57.26, 57.11, 58.3;  
606/85, 131; 83/698.11, 520; 362/120;  
206/368; 392/380, 384; 173/29, 217,  
173/216; 310/50; 464/53; 601/70;  
D15/132, 126; 433/133, 130, 125, 127,  
433/166, 126, 132; 279/51, 147;  
D26/49, 37; D9/723, 529, 530, 548  
CPC ..... A01K 13/00; A01K 13/001; A01K 17/00;  
A45D 29/05; A45D 29/06; A45D 29/11;  
A45D 29/14; A45D 29/00; B24B 23/005;  
B24B 23/02; B25F 3/00

See application file for complete search history.

(56) **References Cited**

U.S. PATENT DOCUMENTS

3,311,117 A \* 3/1967 Thompson ..... A45D 29/05  
132/73.6  
D275,570 S \* 9/1984 Siden ..... D15/126  
D287,601 S \* 1/1987 Siden ..... D15/126  
D350,887 S \* 9/1994 Sjolander ..... D8/70  
6,523,546 B2 \* 2/2003 Jo ..... A61B 17/54  
132/75  
D600,413 S \* 9/2009 Khubani ..... D30/158  
D751,762 S \* 3/2016 Hollinger ..... D28/59  
D852,016 S \* 6/2019 Yoo ..... D15/126

(Continued)

OTHER PUBLICATIONS

Boshel Nail Grinder Head Replacement [https://www.amazon.com/BOSHEL-Nail-Grinder-Replacement-Head/dp/B07VJJNV45/ref=asc\\_df\\_B07VJJNV45/](https://www.amazon.com/BOSHEL-Nail-Grinder-Replacement-Head/dp/B07VJJNV45/ref=asc_df_B07VJJNV45/) (Year: 2019).\*

*Primary Examiner* — Susan Moon Lee

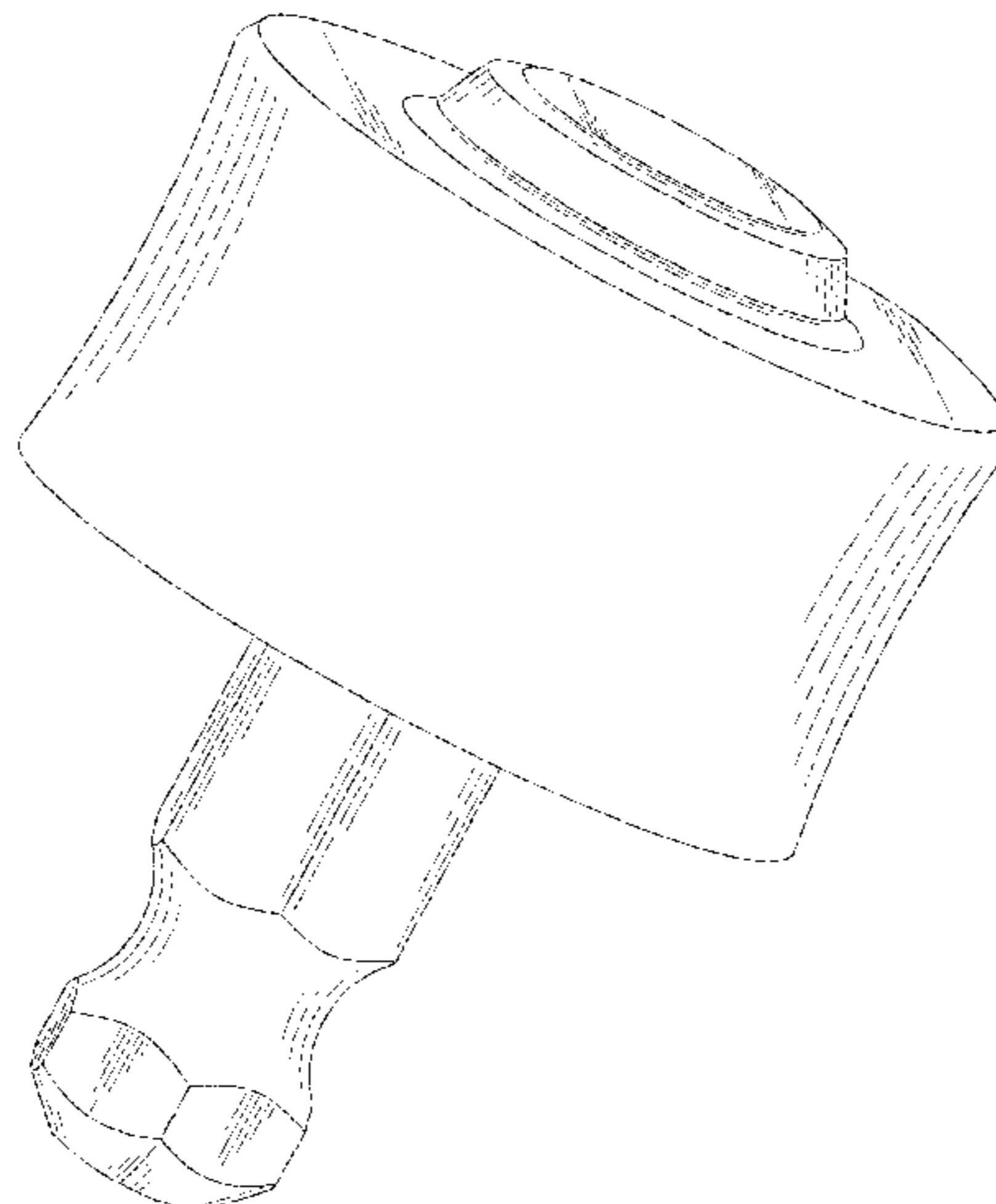
(57) **CLAIM**

The ornamental design for a grinding head for nails, as shown and described.

**DESCRIPTION**

FIG. 1 is a front elevational view of a grinding head for nails showing my new design;  
FIG. 2 is a rear elevational view thereof;  
FIG. 3 is a left side view thereof;  
FIG. 4 is a right side view thereof;  
FIG. 5 is a top plan view thereof;  
FIG. 6 is a bottom plan view thereof;  
FIG. 7 is a top perspective view thereof; and,  
FIG. 8 is a bottom perspective view thereof.

**1 Claim, 8 Drawing Sheets**



(56)

**References Cited**

U.S. PATENT DOCUMENTS

D854,257	S	*	7/2019	Hollinger	.....	D30/158
D856,771	S	*	8/2019	Yoo	.....	D15/126
D876,730	S	*	2/2020	He	.....	D30/158
D882,650	S	*	4/2020	Ali	.....	D15/126
D907,313	S	*	1/2021	Tu	.....	D30/158
D909,689	S	*	2/2021	Xu	.....	D30/158
D910,937	S	*	2/2021	Wei	.....	D30/158
D924,497	S	*	7/2021	Wei	.....	D30/158
D937,502	S	*	11/2021	Cran	.....	D30/158
2015/0150352	A1	*	6/2015	Yiu	.....	A45D 29/05 132/75.8
2015/0150353	A1	*	6/2015	Yiu	.....	A61B 17/54 132/75.6
2016/0029768	A1	*	2/2016	Dai	.....	A45D 29/06 30/27
2020/0236904	A1	*	7/2020	Yoo	.....	A01K 13/00

\* cited by examiner

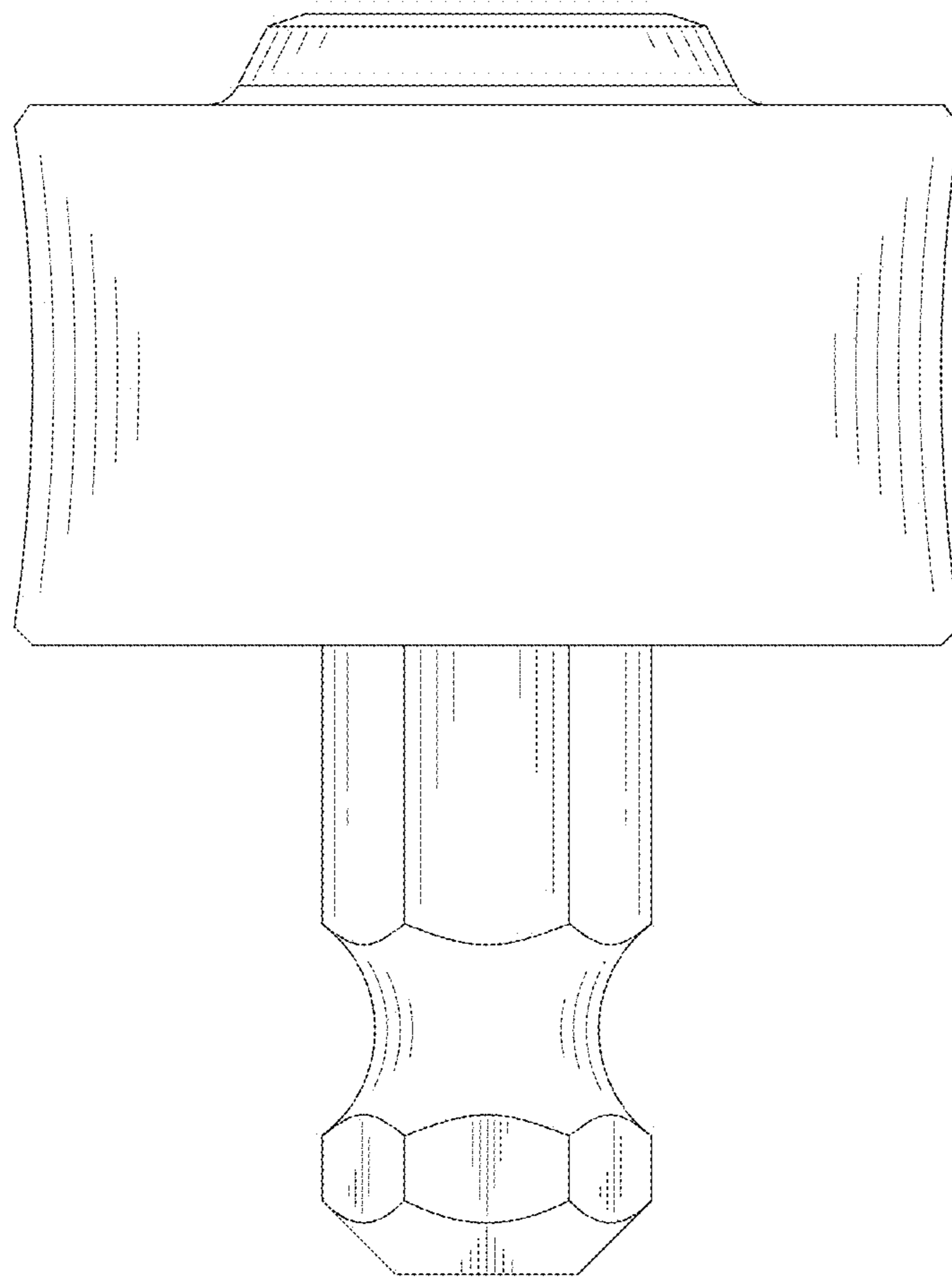


Fig.1

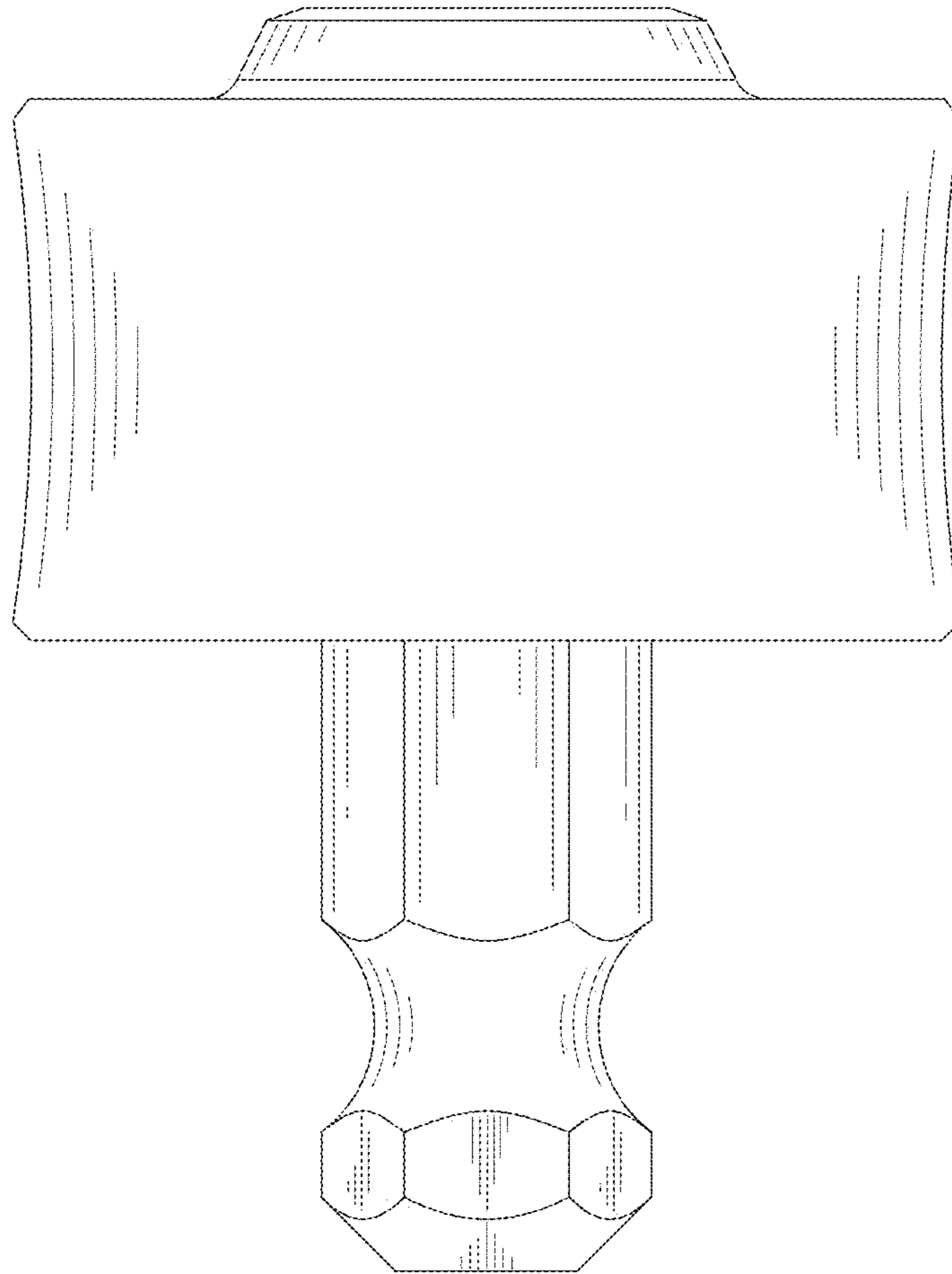


Fig.2

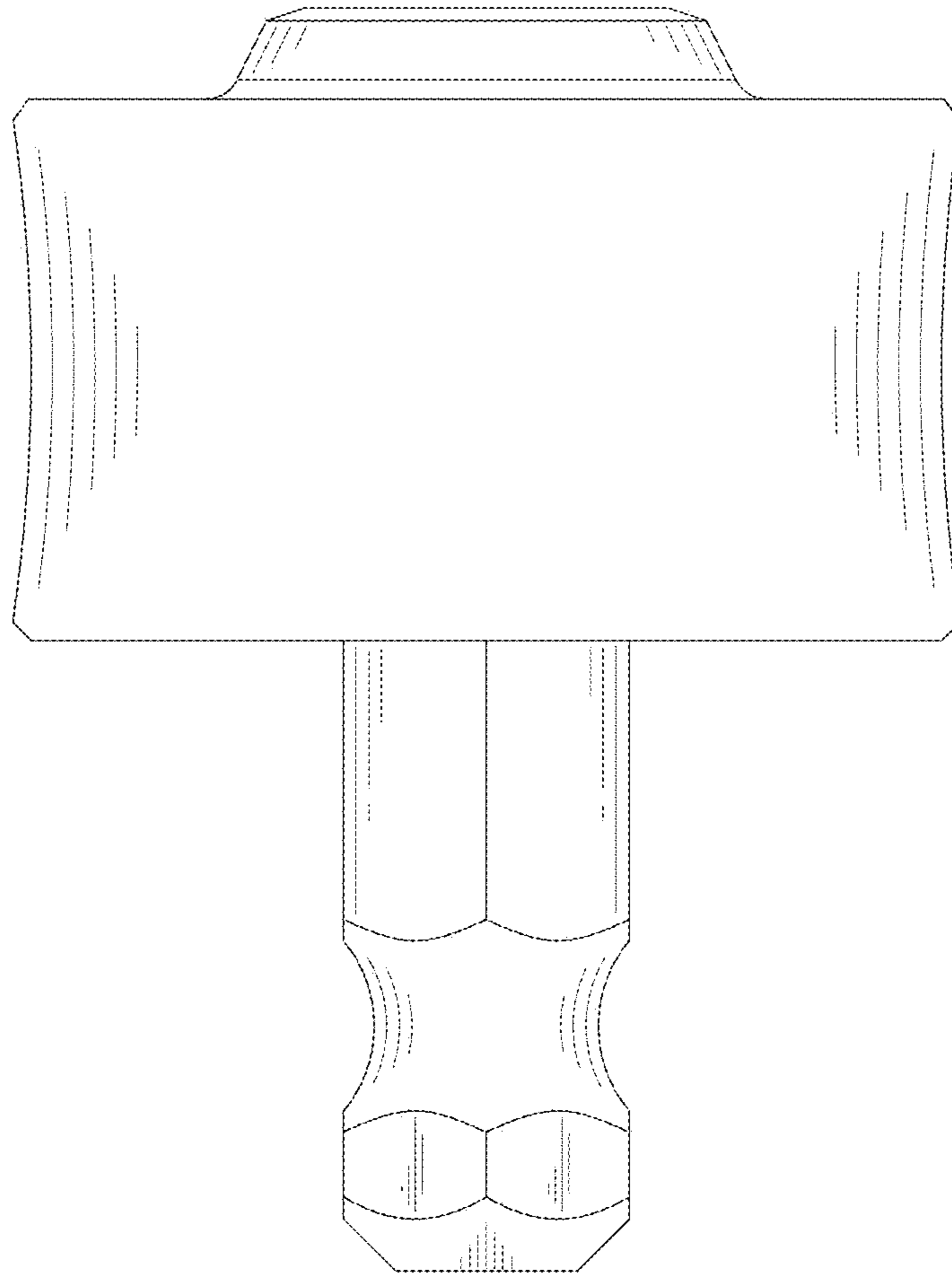


Fig.3

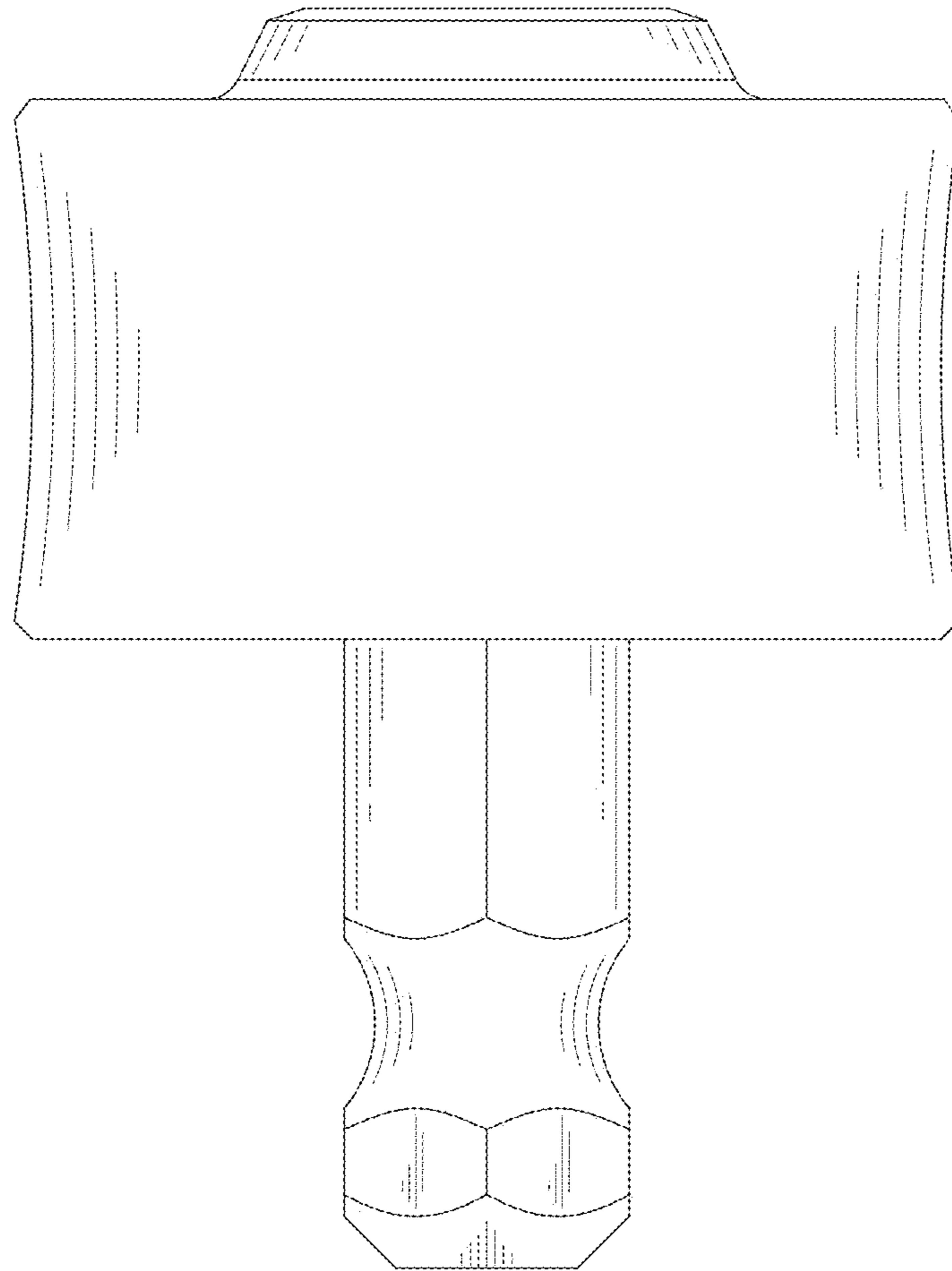


Fig.4

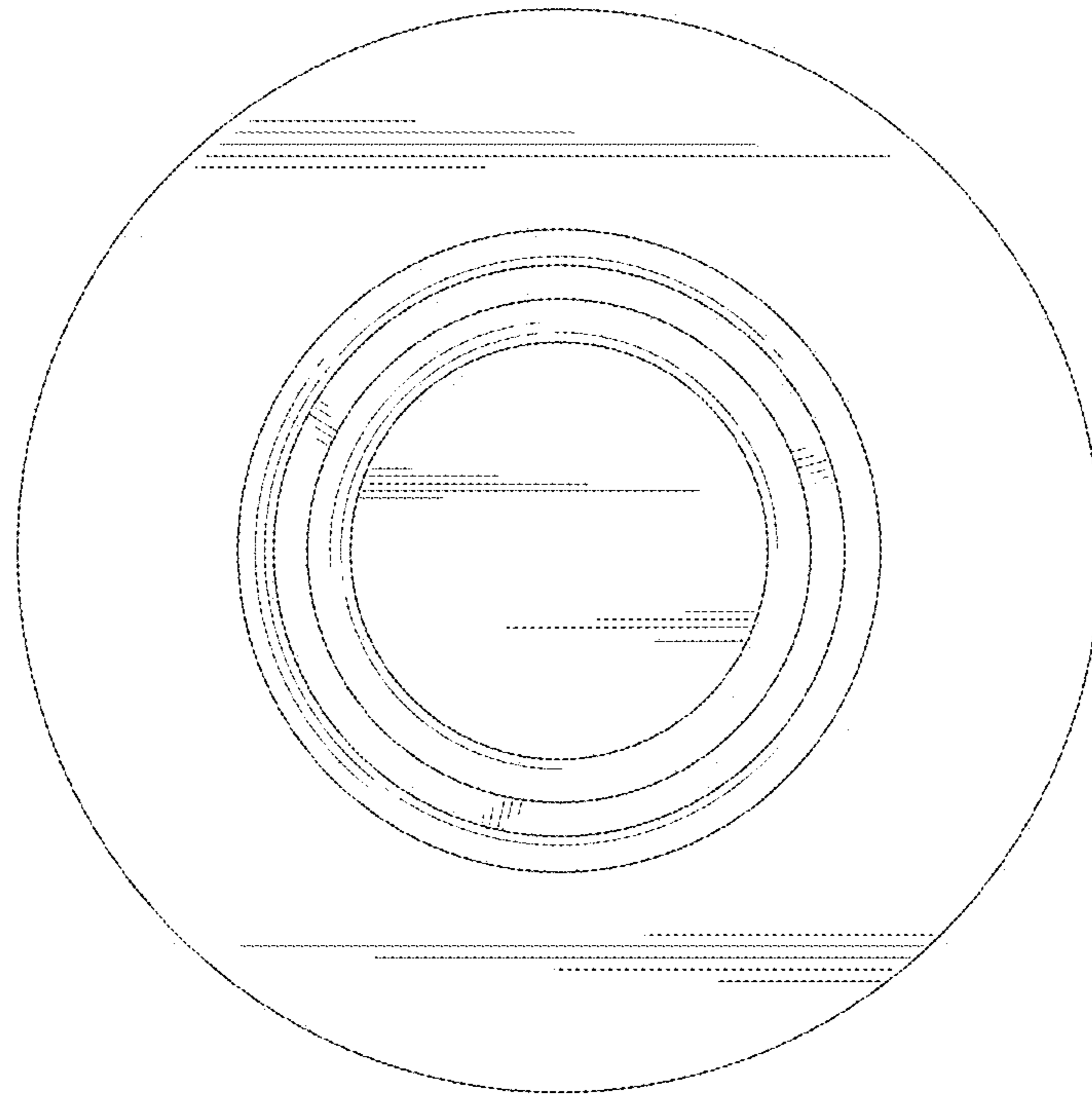


Fig.5

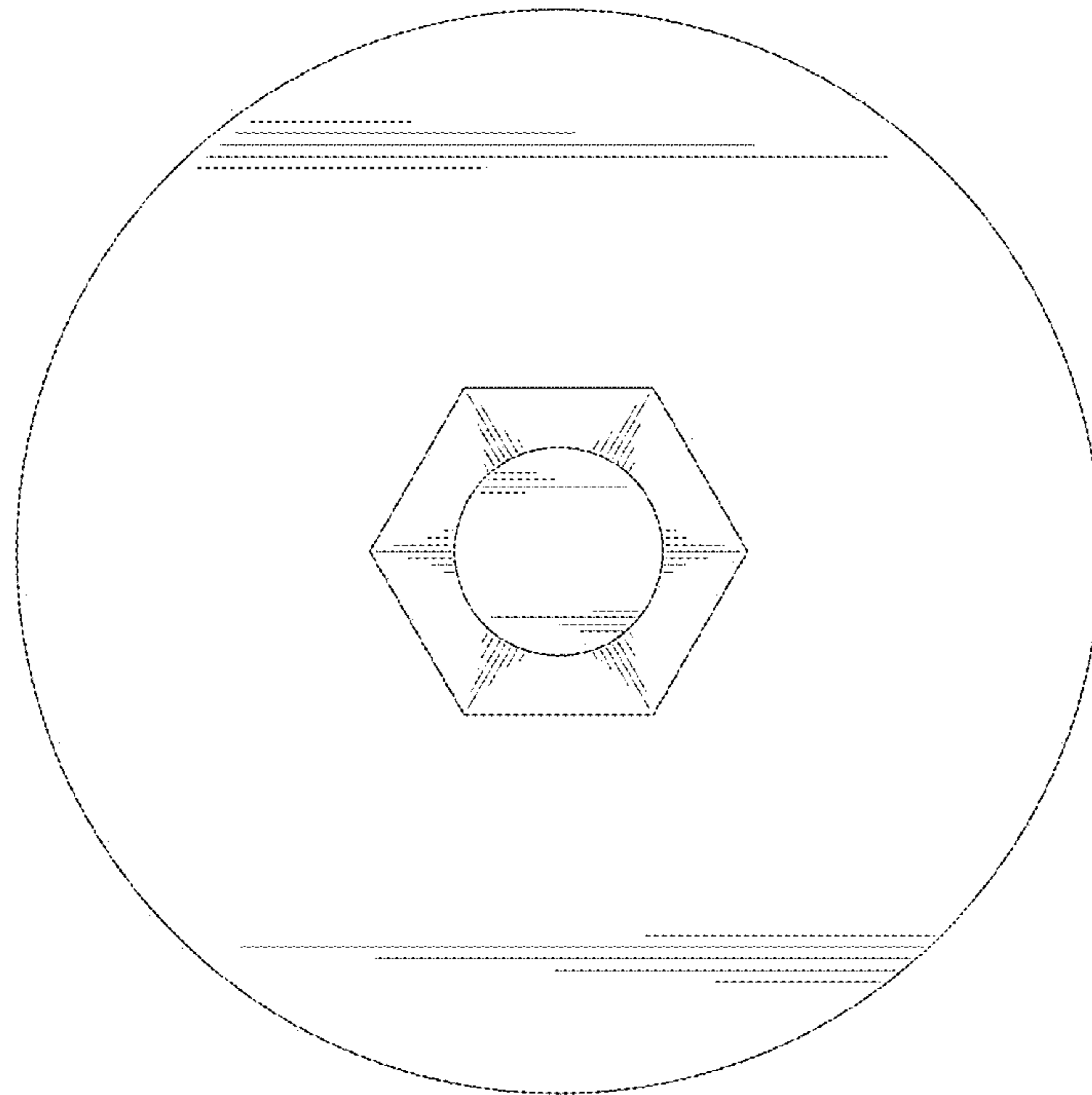


Fig.6



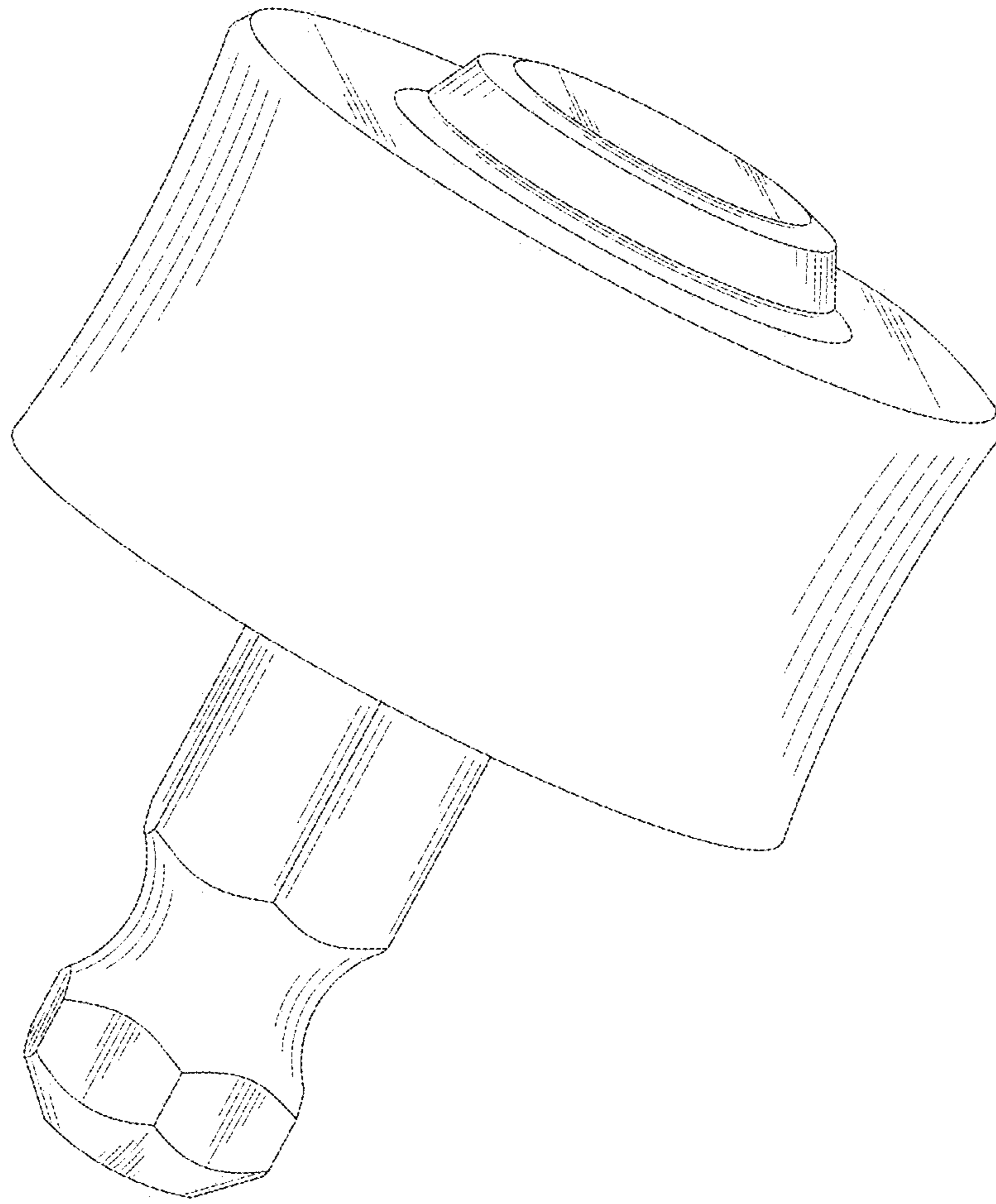


Fig.7

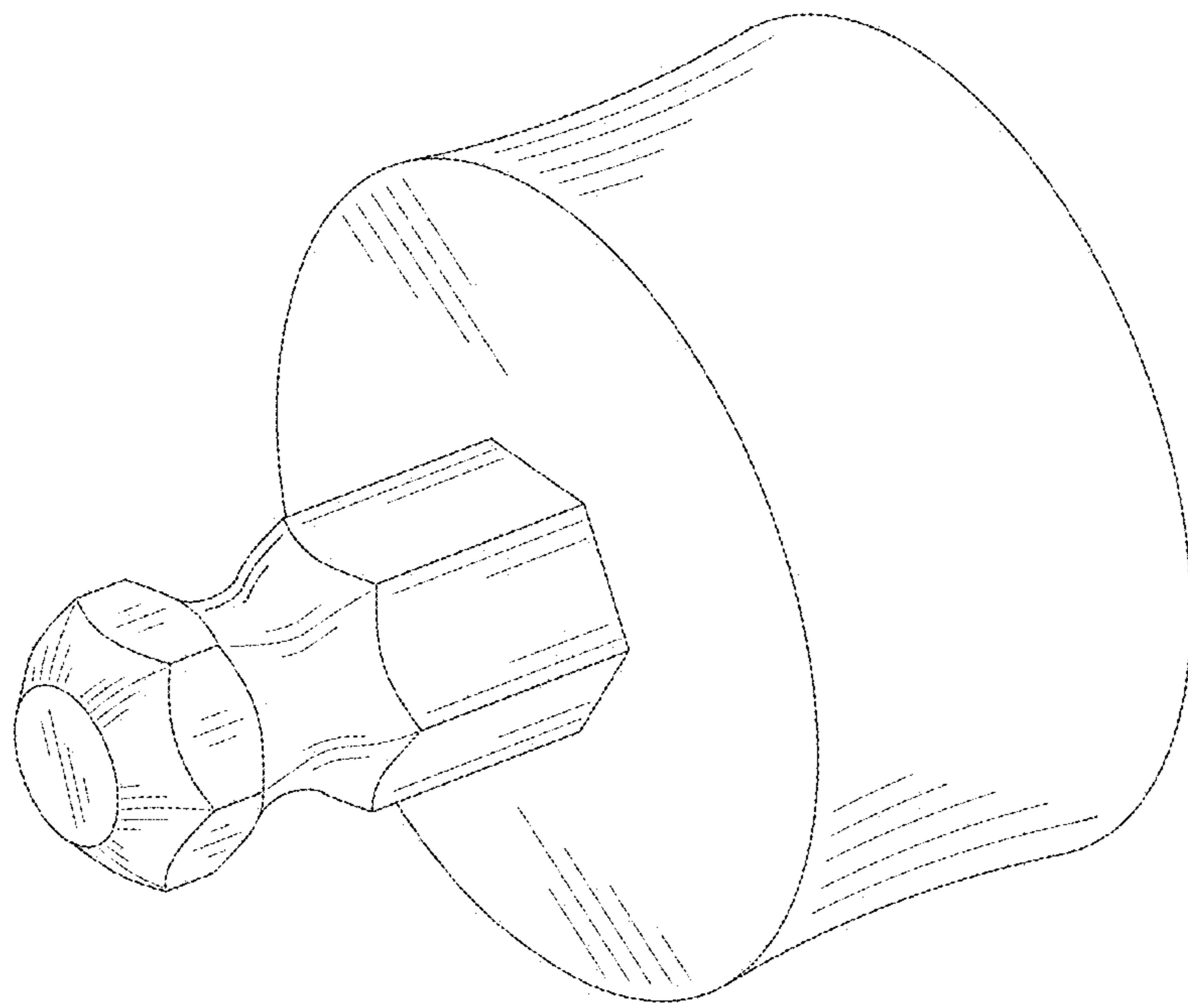


Fig.8