



US00D961856S

(12) **United States Design Patent**
Huang

(10) **Patent No.:** **US D961,856 S**

(45) **Date of Patent:** **** Aug. 23, 2022**

(54) **NAIL POLISHER**

(71) Applicant: **Shenzhen Subject Technology Co., Ltd.**, Shenzhen (CN)

(72) Inventor: **Jing Huang**, Shenzhen (CN)

(**) Term: **15 Years**

(21) Appl. No.: **29/795,728**

(22) Filed: **Jun. 21, 2021**

(51) **LOC (13) Cl.** **28-03**

(52) **U.S. Cl.**
USPC **D28/58; D15/124**

(58) **Field of Classification Search**
USPC D14/496, 137, 155, 159, 225; D15/122, D15/124, 131, 132; D8/61, 62; D28/57-59, 61, 62; D10/49, 56, 57; D24/152, 146, 144, 170
CPC . A61B 17/54; A61B 17/1662; A61B 17/1686; A61M 37/00; A61N 1/303; A45D 29/00; A45D 29/05; A45D 29/06; A45D 29/14
See application file for complete search history.

(56) **References Cited**

U.S. PATENT DOCUMENTS

- 4,478,232 A * 10/1984 Yasuda A45D 29/05
132/75.6
- D442,742 S * 5/2001 Suen A45D 29/20
D28/61
- D687,599 S * 8/2013 Amit D24/186
- D692,617 S * 10/2013 Haile D28/58
- D755,442 S * 5/2016 Jih D28/54.1
- D777,981 S * 1/2017 Oh D28/54.1
- D788,981 S 6/2017 Yiu
- D788,984 S 6/2017 Yiu
- D798,505 S 9/2017 Crosson
- D822,280 S 7/2018 Dadon
- D826,476 S 8/2018 Cozzolino
- D857,993 S * 8/2019 Hsieh D28/58
- D858,883 S * 9/2019 Wu D28/58

- D858,885 S * 9/2019 Wu D28/58
- D864,485 S * 10/2019 Ouyang D28/58
- D879,378 S 3/2020 Liddell
- D880,068 S * 3/2020 Wu D28/58
- D890,431 S 7/2020 Hsieh
- D895,210 S 9/2020 Wu

(Continued)

OTHER PUBLICATIONS

YaFex, Nail Drill, 35000 RPM Professional Nail Drill Machine—Electric Nail File with LCD Speed Display, (site visited Mar. 31, 2022), Amazon.com, URL:<<https://www.amazon.com/YaFex-Drill-35000-Professional-Machine/dp/B09CP7JL2X>> (Year: 2022).*

(Continued)

Primary Examiner — Calvin E Vansant
Assistant Examiner — Mark T. Philipps
(74) *Attorney, Agent, or Firm* — Rumit Ranjit Kanakia

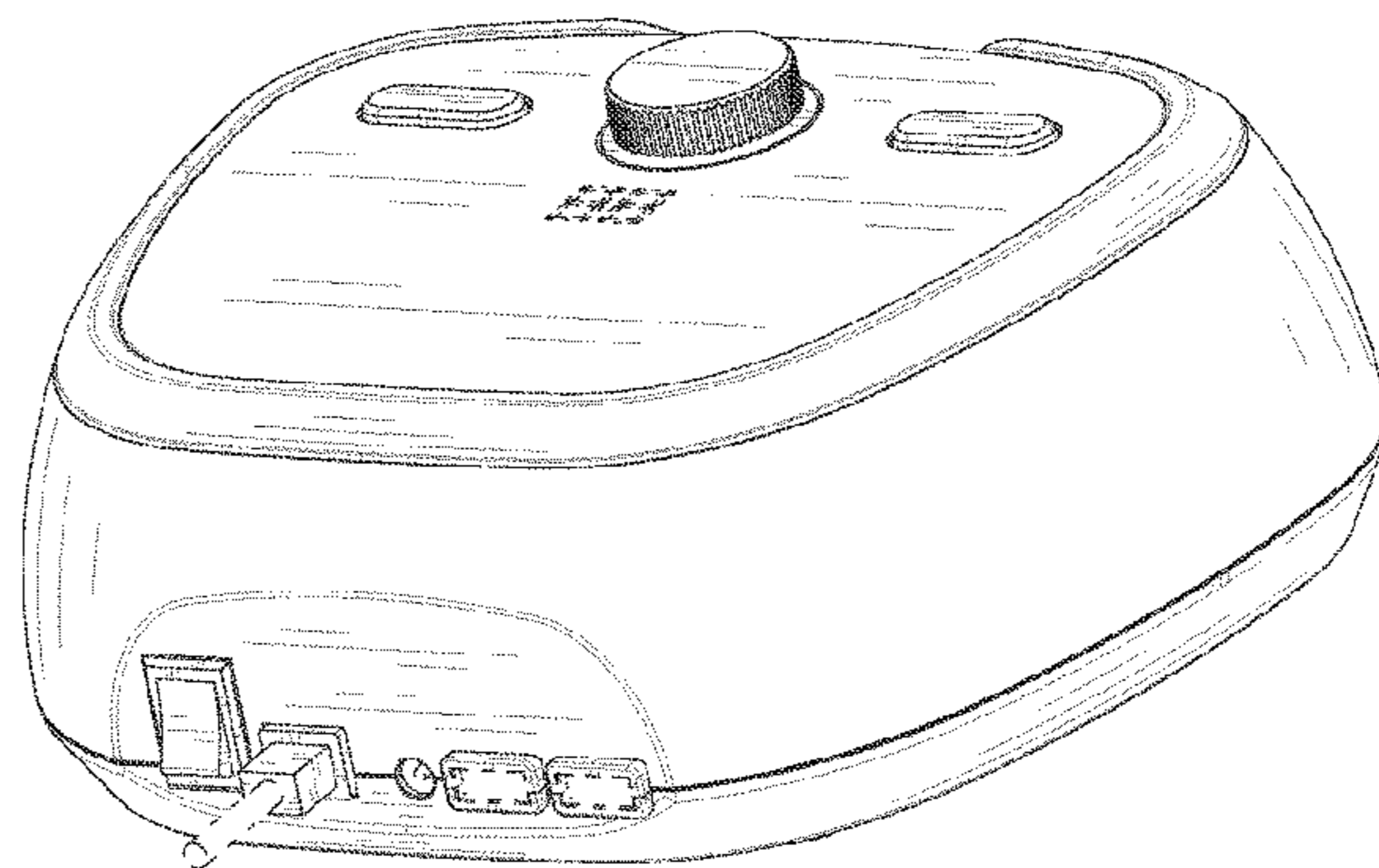
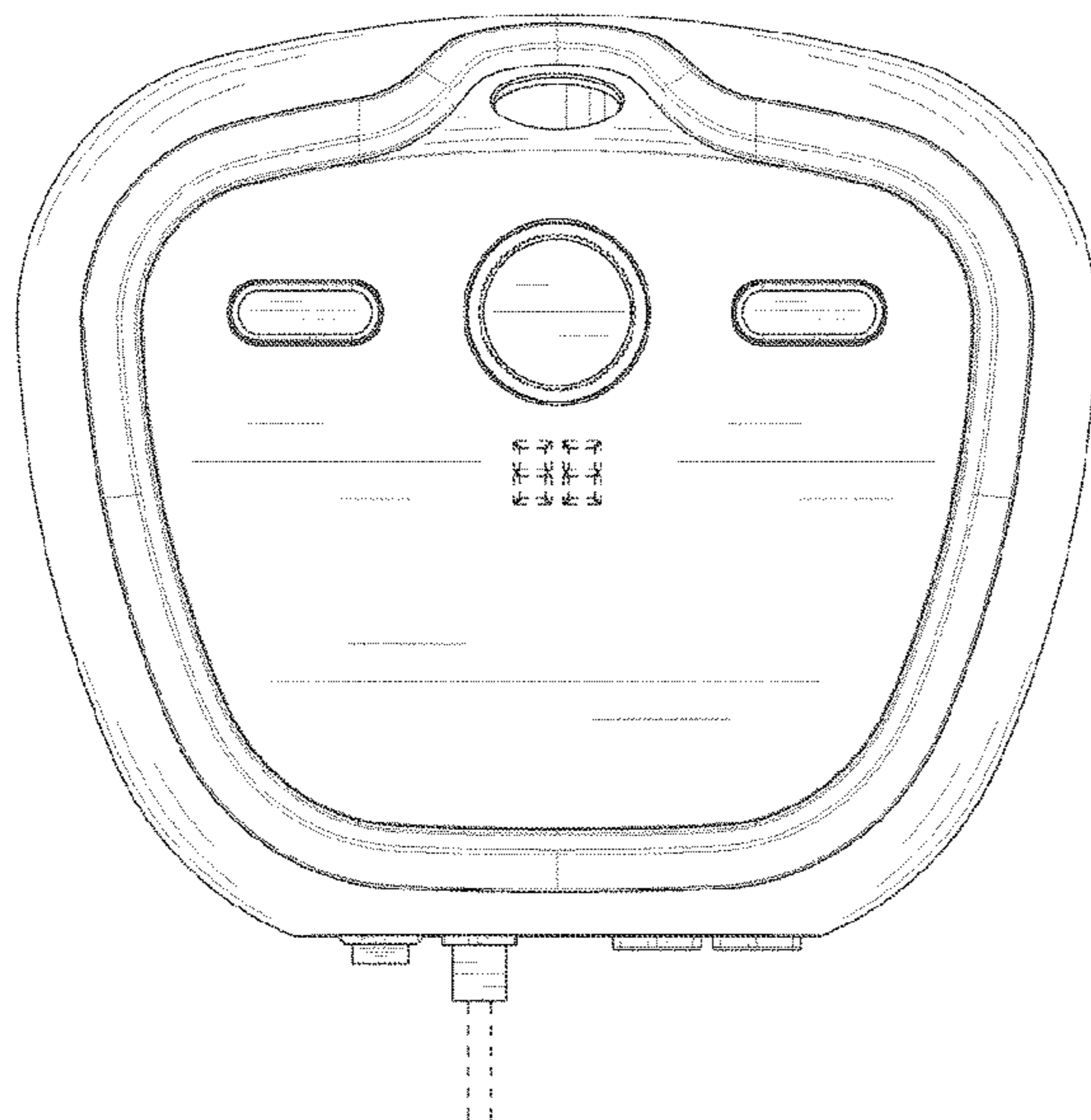
(57) **CLAIM**

The ornamental design for a nail polisher, as shown and described.

DESCRIPTION

FIG. 1 is a front elevational view of a nail polisher showing my new design;
FIG. 2 is a rear elevational view thereof;
FIG. 3 is a left side view thereof;
FIG. 4 is a right side view thereof;
FIG. 5 is a top plan view thereof;
FIG. 6 is a bottom plan view thereof;
FIG. 7 is a perspective view of a nail polisher showing my new design; and,
FIG. 8 is another perspective view thereof.
The broken lines in the figures are for the purposes of illustrating portions of the nail polisher, which form no part of the claimed design.

1 Claim, 8 Drawing Sheets



(56)

References Cited

U.S. PATENT DOCUMENTS

D897,044	S	*	9/2020	Yu	D28/58
D900,396	S	*	10/2020	Zhang	D28/58
D909,681	S		2/2021	Lu		
D909,682	S	*	2/2021	Wu	D28/58
D915,675	S	*	4/2021	Li	D15/132
D919,184	S	*	5/2021	Feng	D28/58
D921,296	S		6/2021	Duong		
D926,379	S	*	7/2021	Wu	D28/58
D937,487	S	*	11/2021	Zhang	D28/58
D947,457	S	*	3/2022	Zhang	D28/58
D947,458	S	*	3/2022	Zhang	D28/58
D947,459	S	*	3/2022	Zhang	D28/58
2008/0249460	A1	*	10/2008	Skinner	A61B 17/54 604/22
2017/0127790	A1	*	5/2017	Huang	B05D 3/067
2021/0022473	A1	*	1/2021	Hurter	A45D 29/00

OTHER PUBLICATIONS

Amanda Haynes, "I'm Impressed" Amazon review of YaFex Nail Drill, 35000 RPM Professional Nail Drill Machine, (upload date Jul. 15, 2021), Amazon.com, URL:<https://www.amazon.com/gp/customer-reviews/R3TARJ105NC1F8?ref=va_cr_lb> (Year: 2021).*

Easy in Beauty, Professional Nail Drill Set, (site visited Mar. 31, 2022), Amazon.com, URL:<<https://www.amazon.com/Professional-Nail-Drill-Machine-Electric/dp/B097PHBSZL>> (Year: 2022).*

Jefferbell, Professional Nail Drill Machine Manicure Pedicure Kit, (site visited Mar. 31, 2022), Amazon.com, URL:<<https://www.amazon.com/dp/B09BMS7SG3>> (Year: 2022).*

* cited by examiner

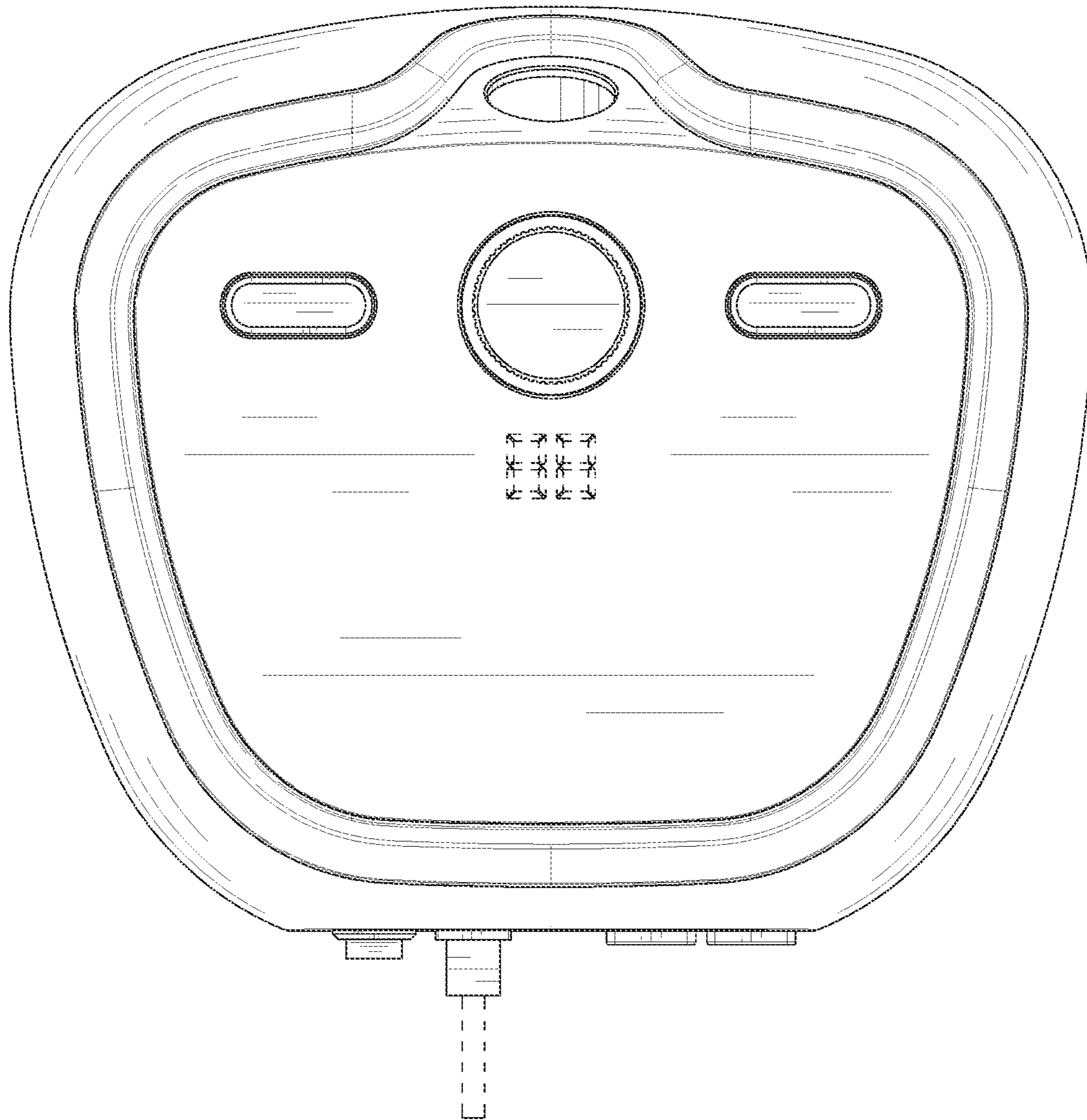


FIG. 1

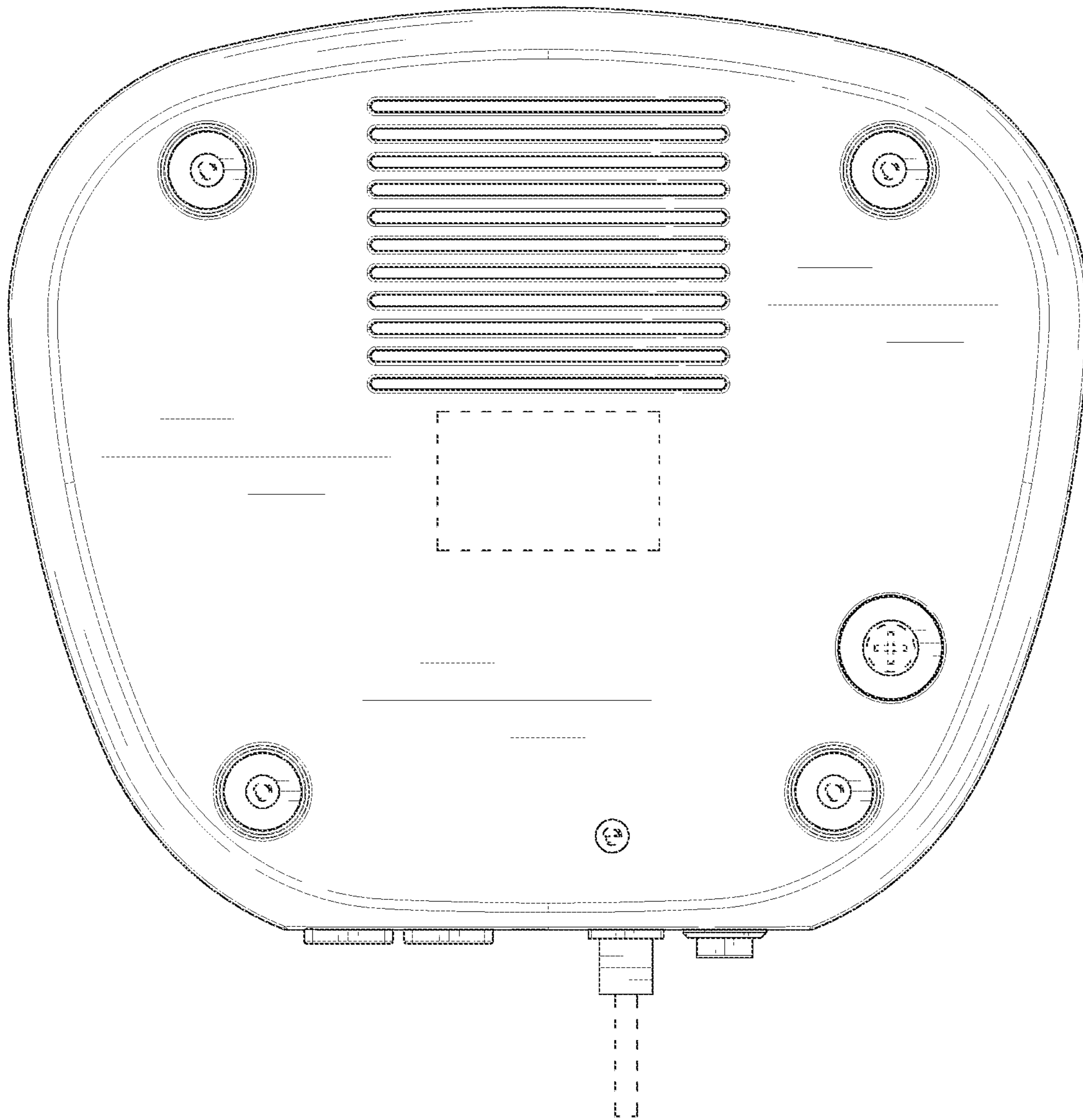


FIG. 2

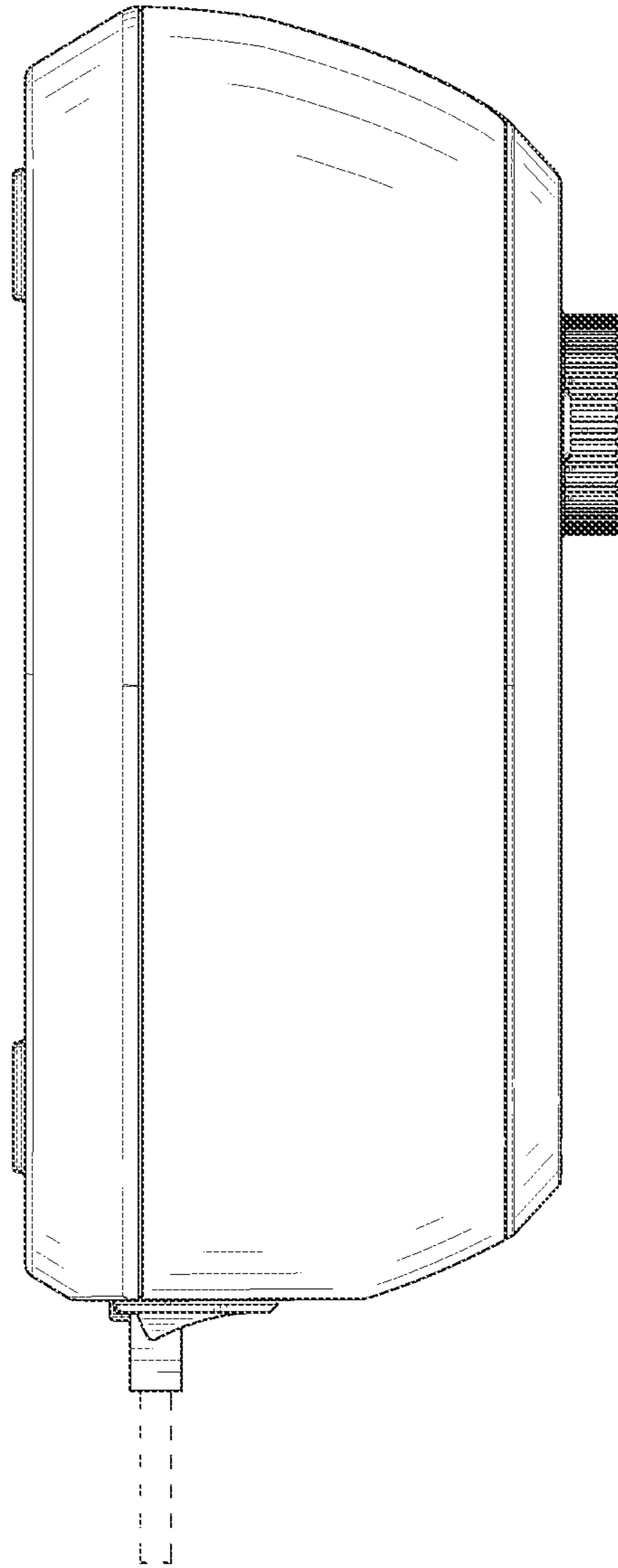


FIG. 3

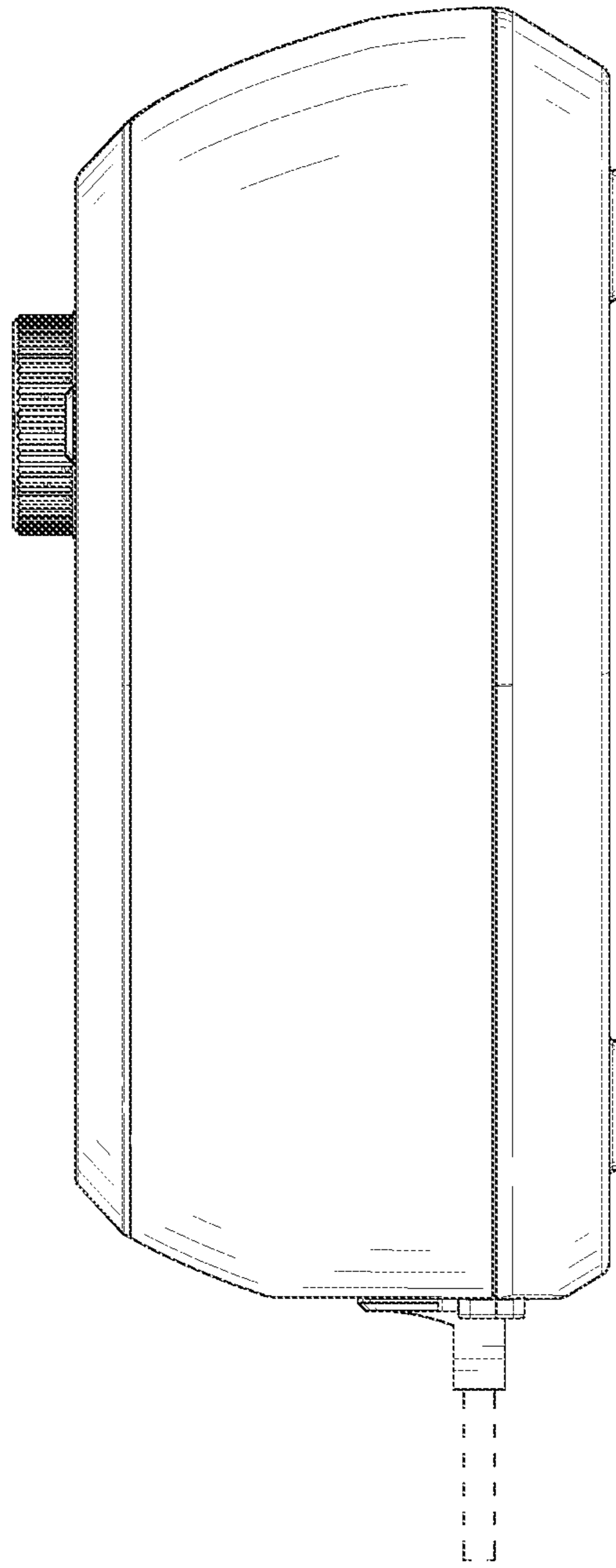


FIG. 4

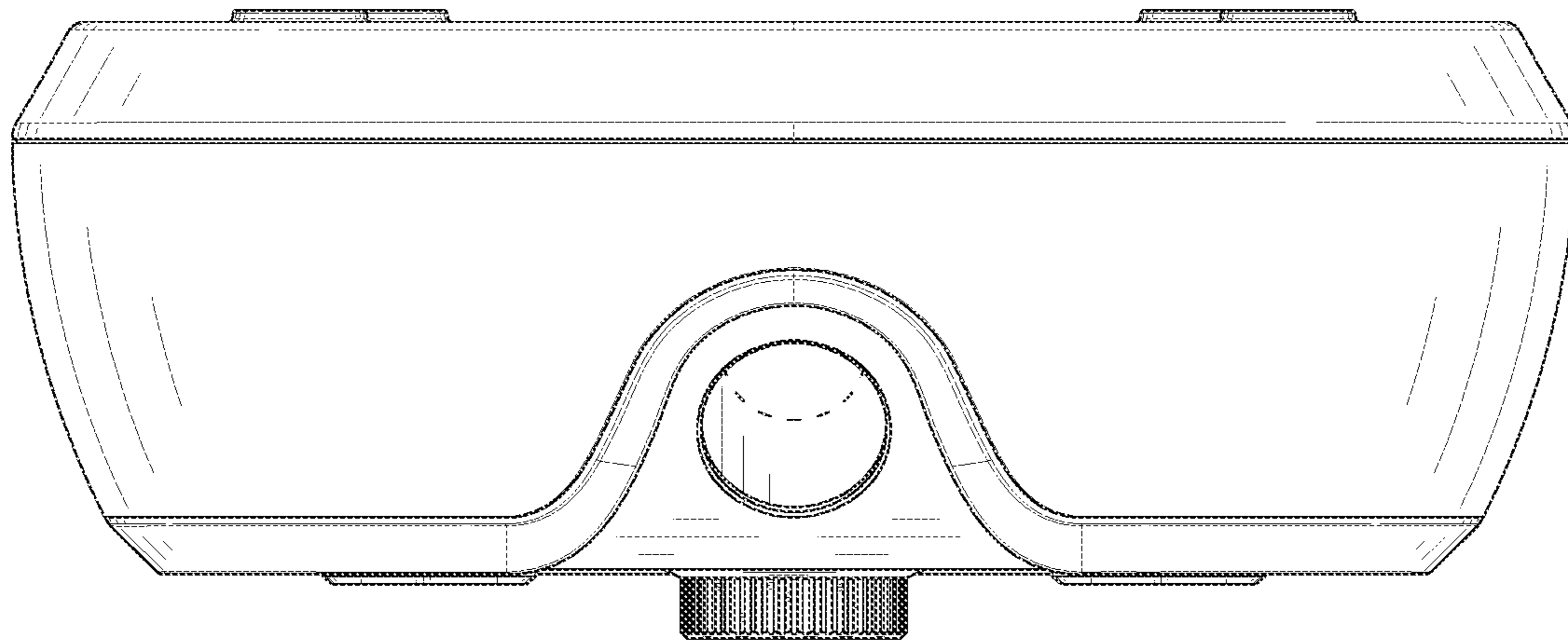


FIG. 5

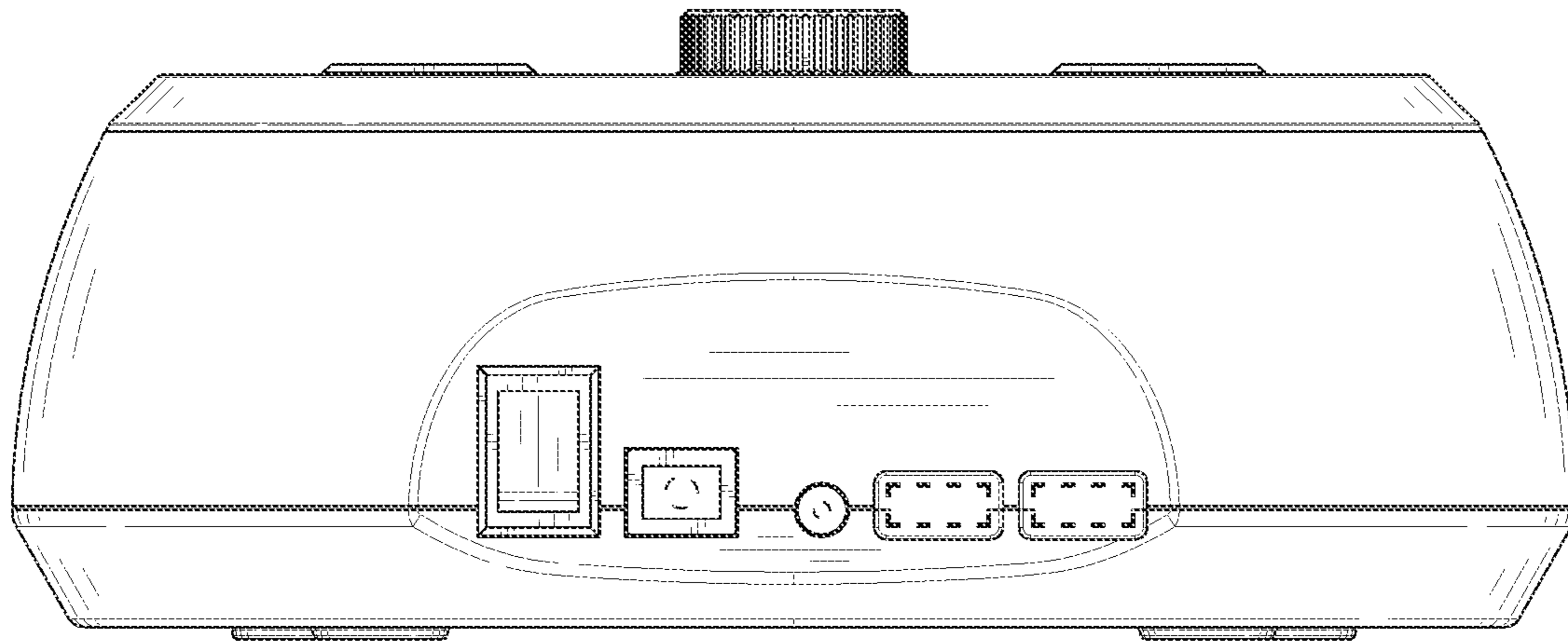


FIG. 6

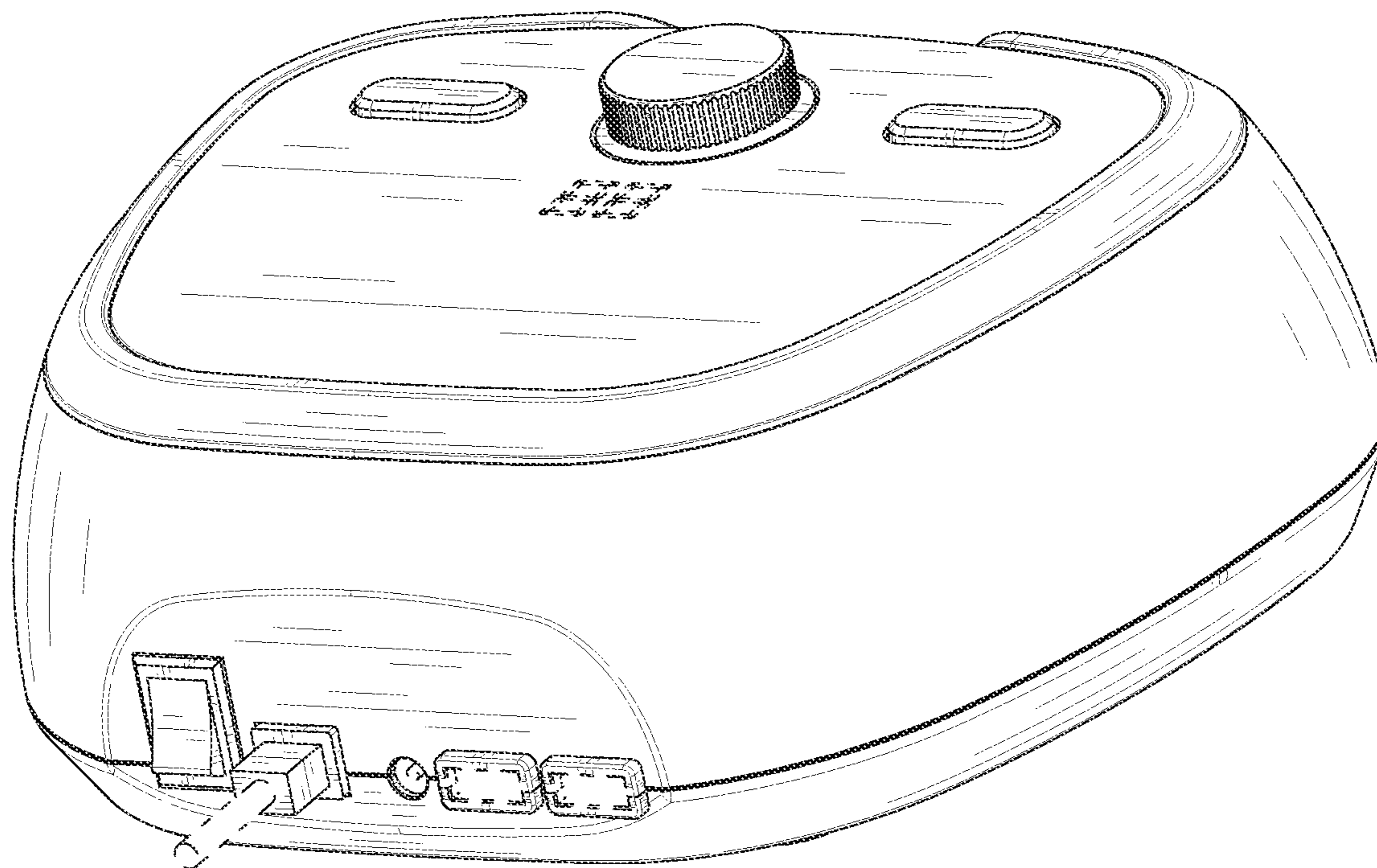


FIG. 7

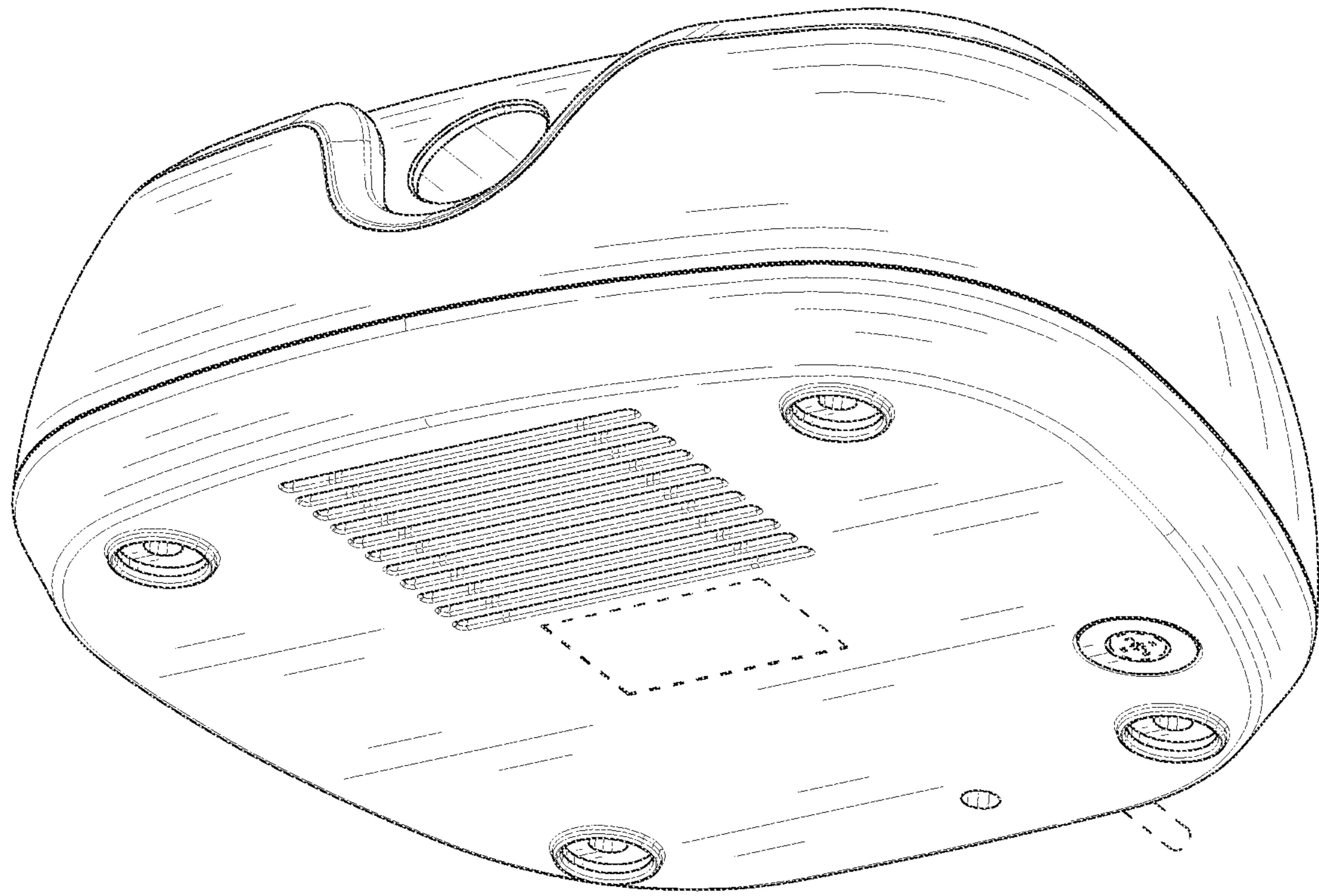


FIG. 8