



US00D961852S

(12) **United States Design Patent**  
**Van Roosmalen et al.**

(10) **Patent No.:** **US D961,852 S**

(45) **Date of Patent:** **\*\* Aug. 23, 2022**

(54) **BEARD STYLER FOR SHAVER**

D675,380 S \* 1/2013 Yoon ..... D28/54  
D767,207 S \* 9/2016 Deklein ..... D28/54  
D828,957 S \* 9/2018 Rosandick ..... D28/53

(71) Applicant: **KONINKLIJKE PHILIPS N.V.**,  
Eindhoven (NL)

\* cited by examiner

(72) Inventors: **Jos Van Roosmalen**, Amsterdam (NL);  
**Frank Verbrugge**, Rosmalen (NL);  
**Jens Andersson**, Amsterdam (NL);  
**Roel Krooshof**, Bilthoven (NL); **Simon Van Anken**, Amsterdam (NL); **Peter Gal**, Amsterdam (NL); **Lieven Adriaenssen**, Vilvoorde (BE); **Roshan Hakkim**, Amsterdam (NL); **Mingshuo Zhang**, Amstelveen (NL)

*Primary Examiner* — Jennifer Rivard

(73) Assignee: **KONINKLIJKE PHILIPS N.V.**,  
Eindhoven (NL)

(57) **CLAIM**

The ornamental design for a beard styler for shaver, as shown and described.

(\*\*) Term: **15 Years**

**DESCRIPTION**

(21) Appl. No.: **29/723,213**

(22) Filed: **Feb. 5, 2020**

(51) **LOC (13) Cl.** ..... **28-03**

(52) **U.S. Cl.**  
USPC ..... **D28/54**

(58) **Field of Classification Search**  
USPC ..... D28/52–54  
CPC ..... B26B 19/06; B26B 19/38; B26B 19/063;  
B26B 19/148; B26B 19/3846; B26B  
19/3806; B26B 19/3813; B26B 19/3826  
See application file for complete search history.

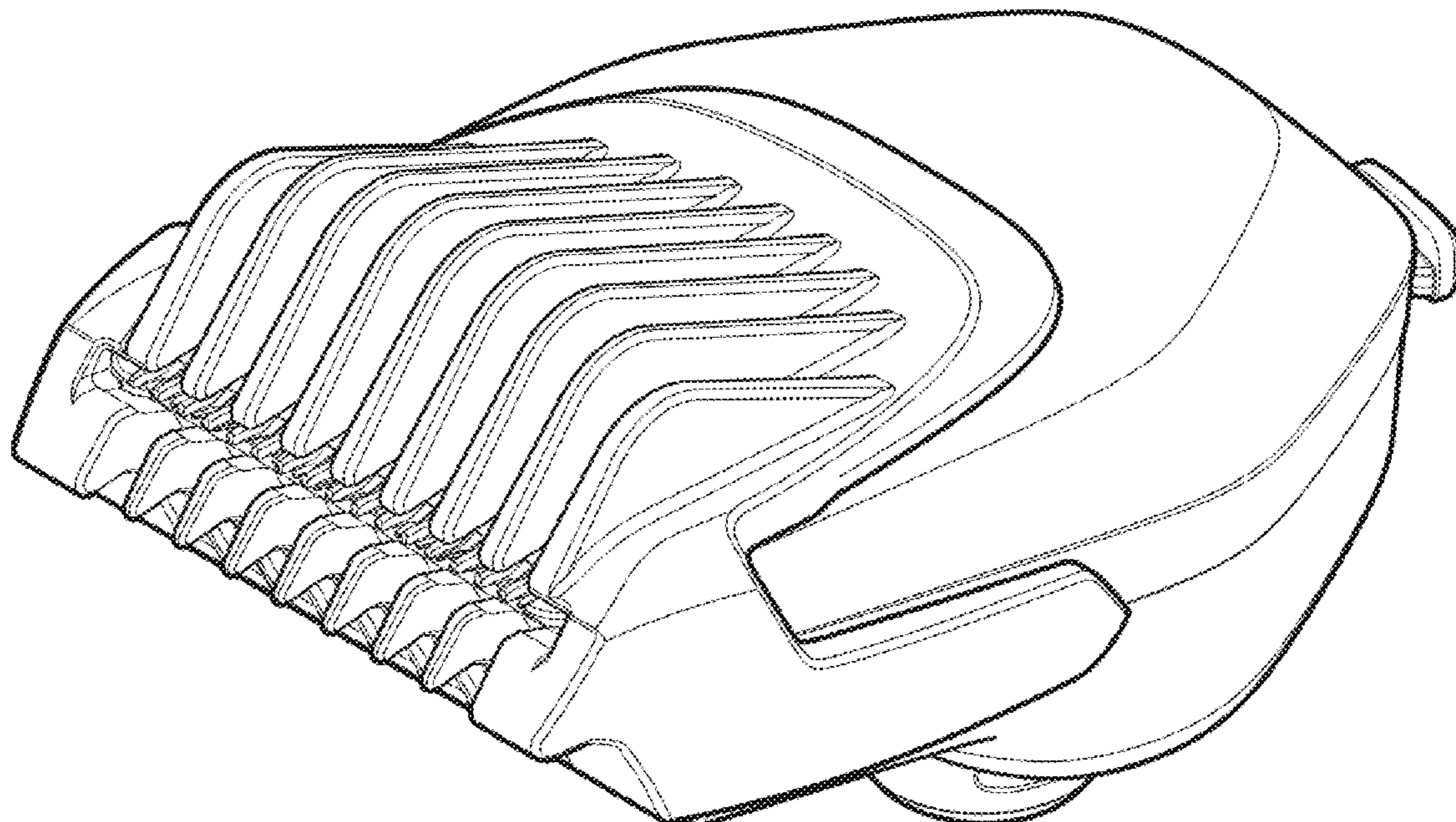
FIG. 1 is a perspective view showing the first embodiment of a beard styler for shaver, according to our design; FIG. 2 is a front elevational view thereof; FIG. 3 is a rear elevational view thereof; FIG. 4 is a right side elevational view thereof; FIG. 5 is a left side elevational view thereof; FIG. 6 is a top plan view thereof; FIG. 7 is a bottom plan view thereof; FIG. 8 is a perspective view showing the second embodiment of a beard styler for shaver; FIG. 9 is a front elevational view thereof; FIG. 10 is a rear elevational view thereof; FIG. 11 is a right side elevational view thereof; FIG. 12 is a left side elevational view thereof; FIG. 13 is a top plan view thereof; and, FIG. 14 is a bottom plan view thereof. The broken lines illustrate portions of the beard styler for shaver that form no part of the claimed design.

(56) **References Cited**

**U.S. PATENT DOCUMENTS**

D658,331 S \* 4/2012 Yoon ..... D28/54  
D675,379 S \* 1/2013 Yoon ..... D28/54

**1 Claim, 10 Drawing Sheets**



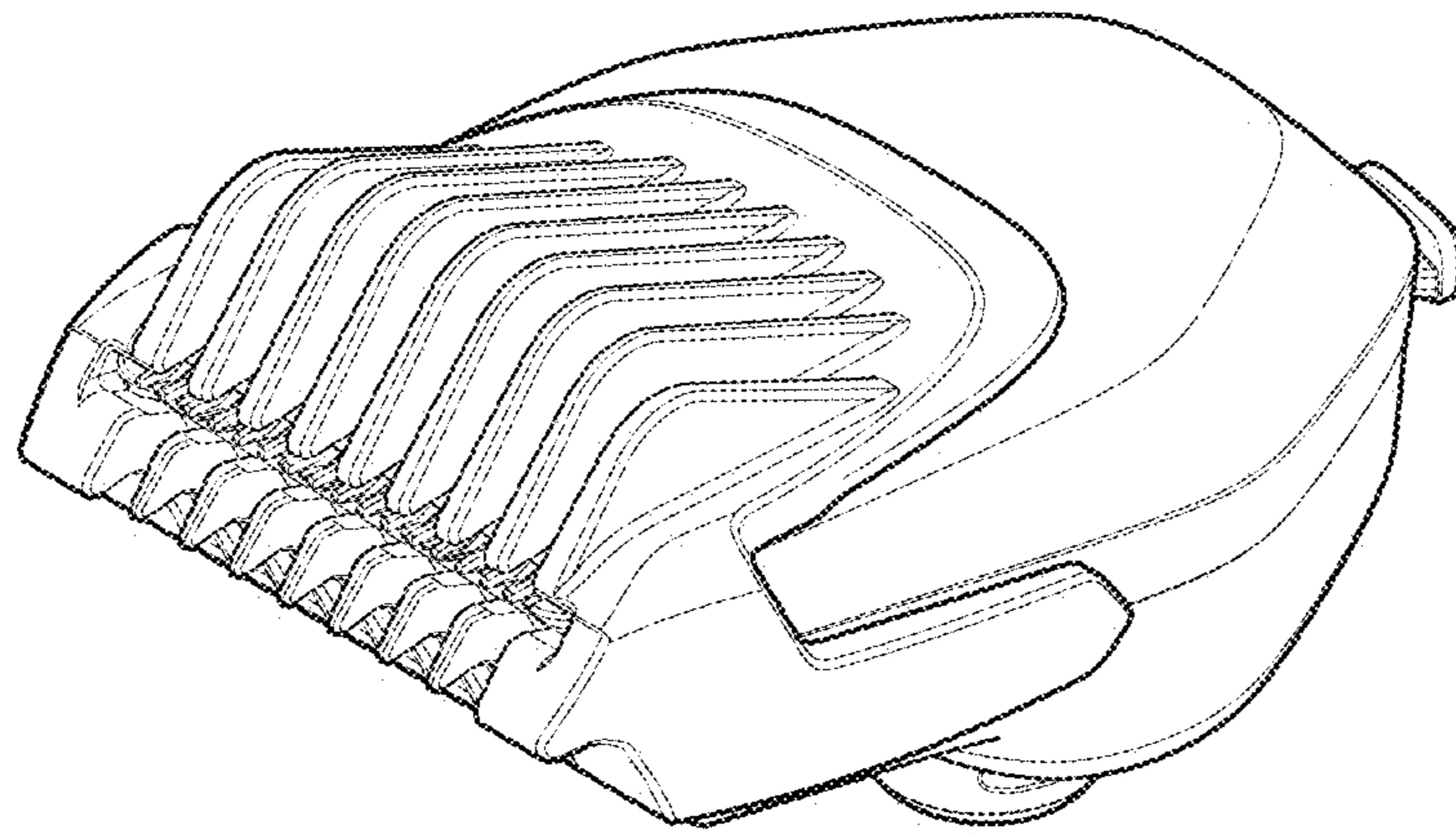


FIG. 1

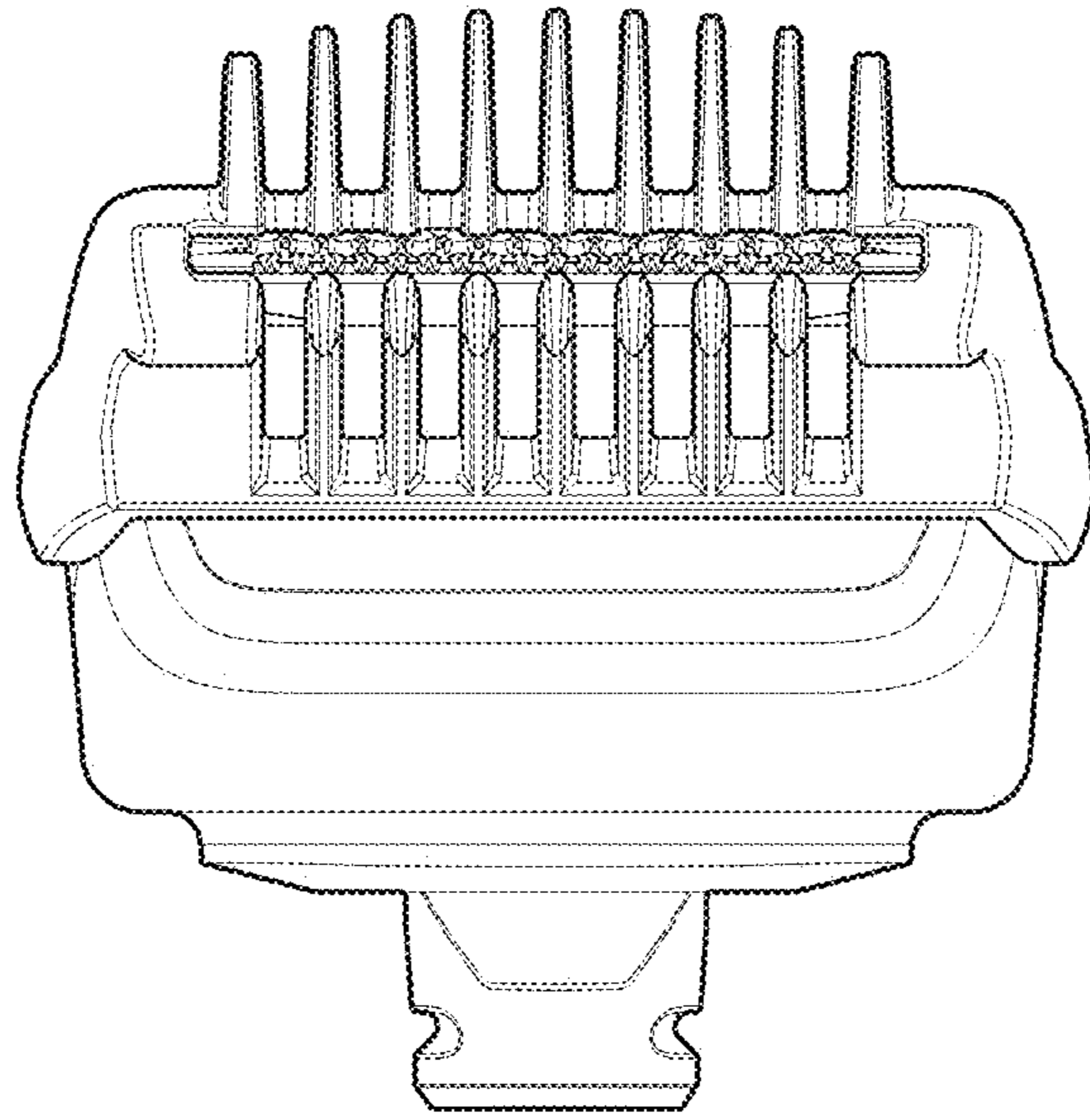


FIG. 2

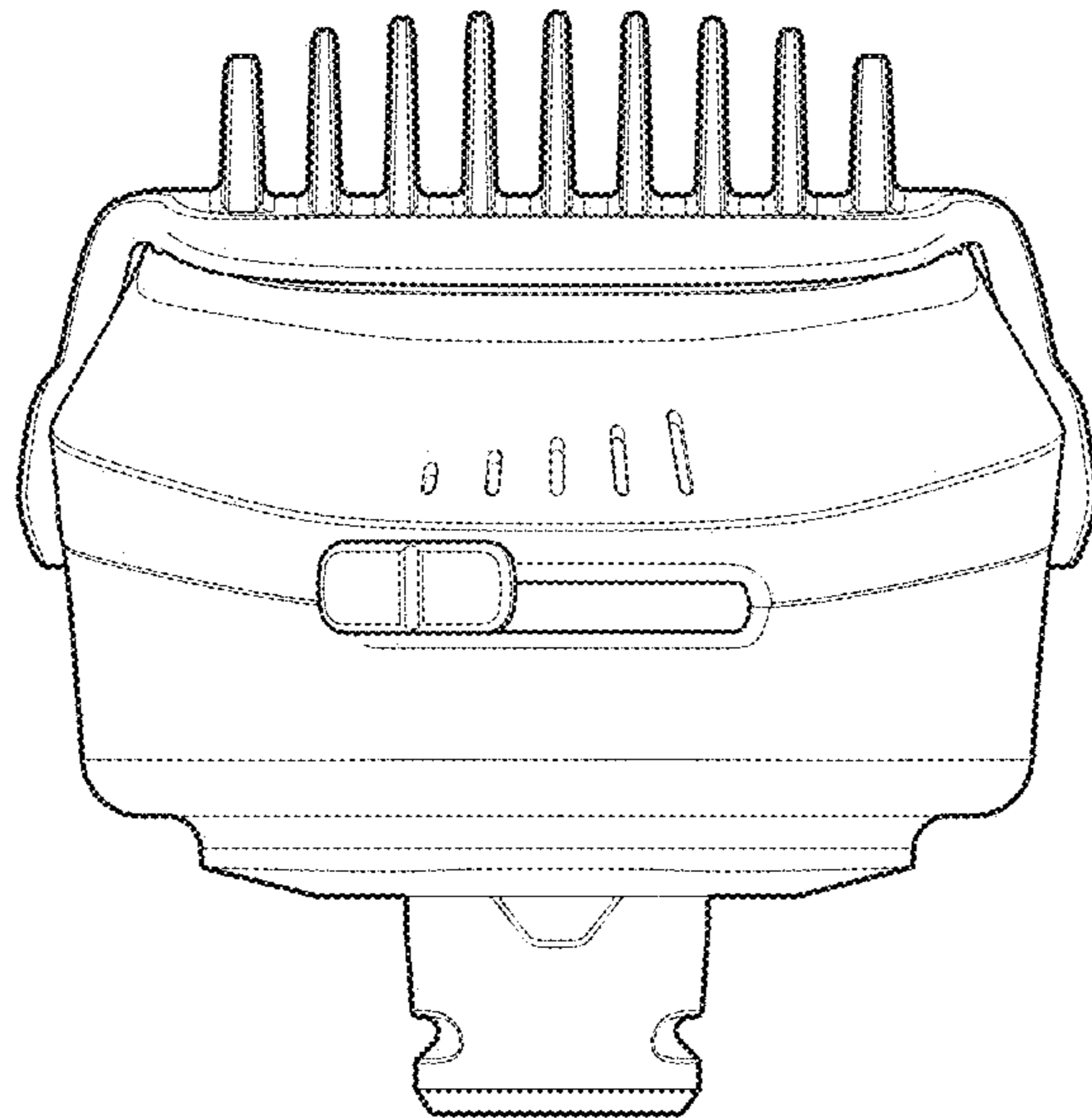


FIG. 3

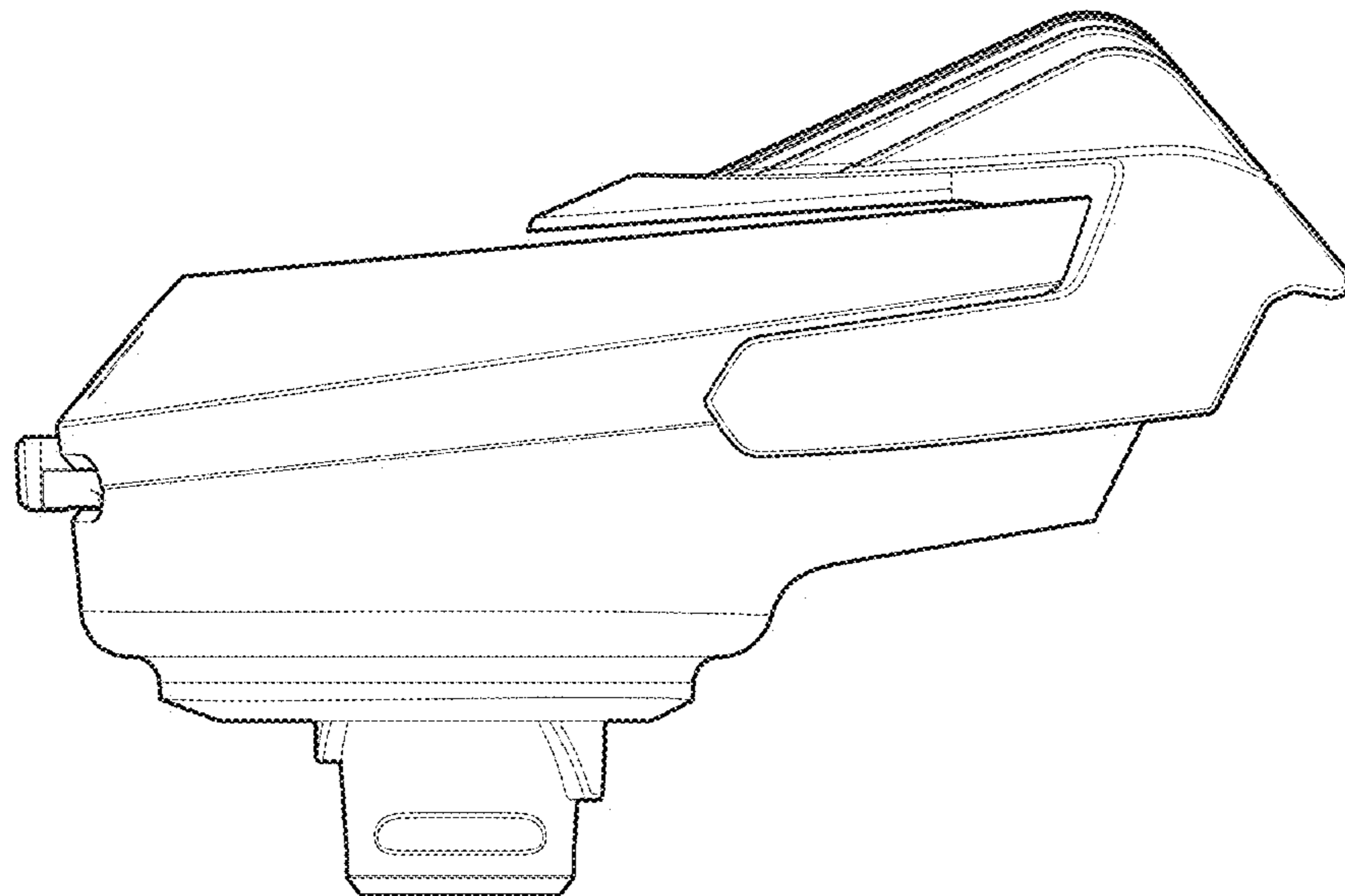


FIG. 4

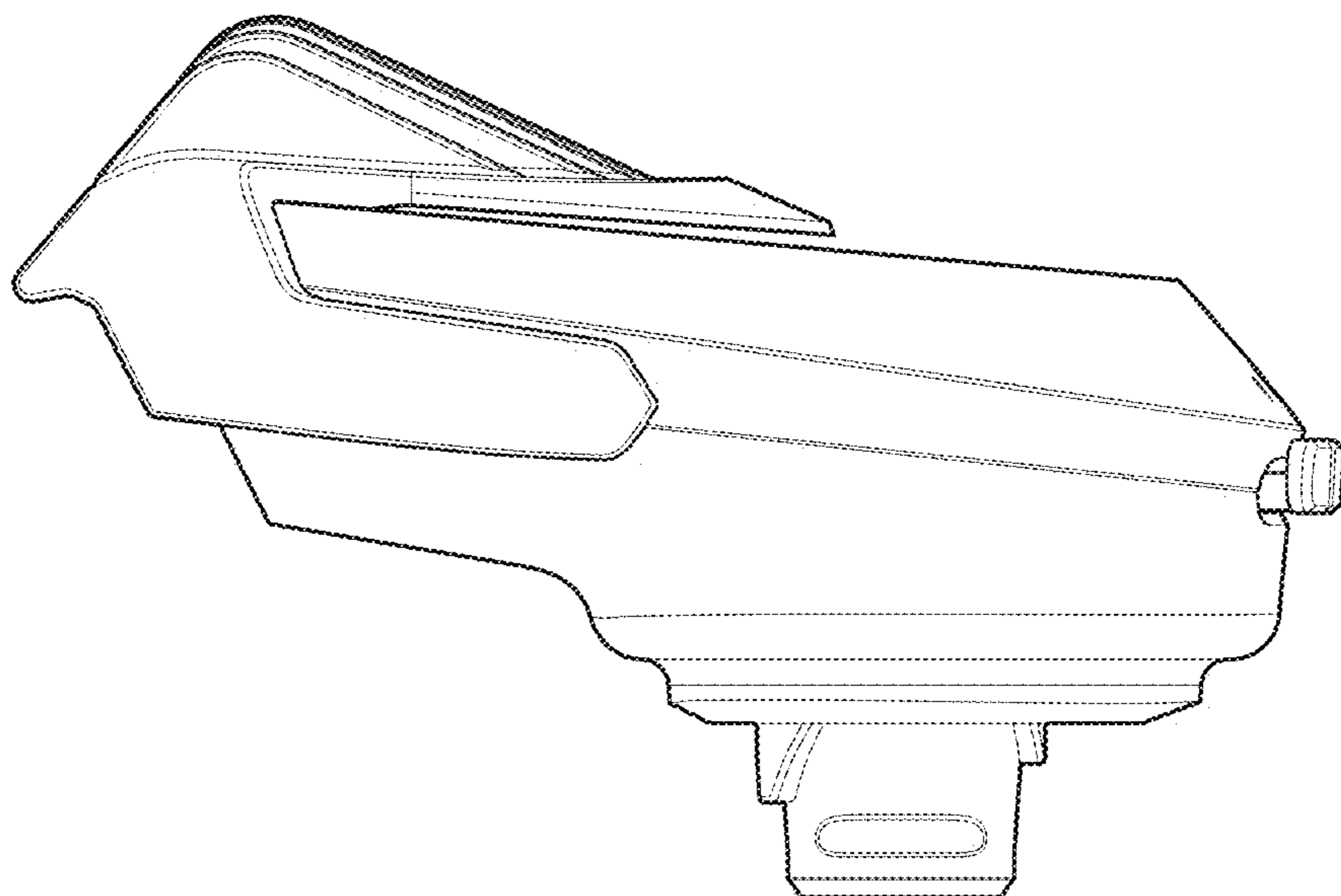


FIG. 5

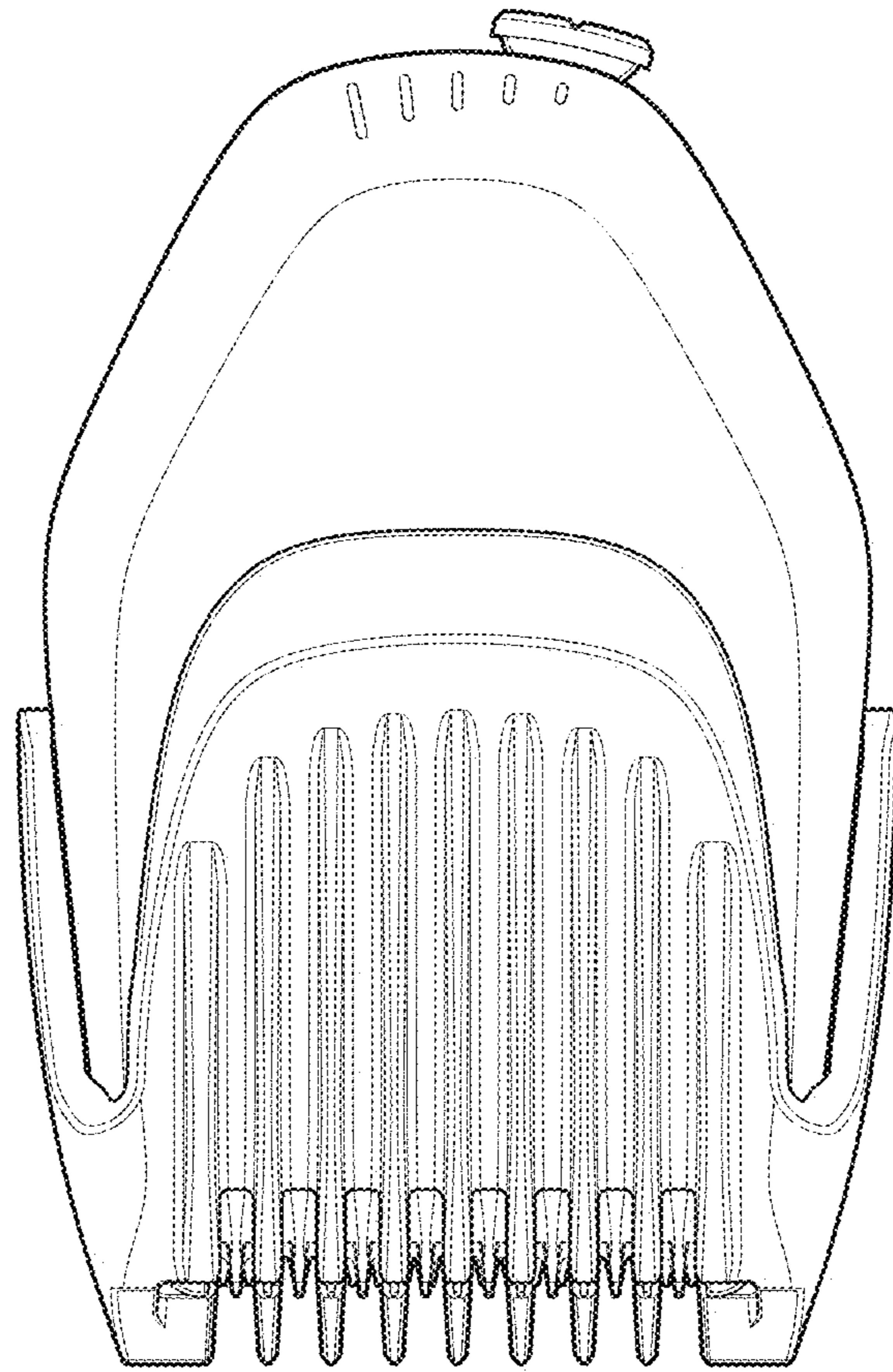


FIG. 6

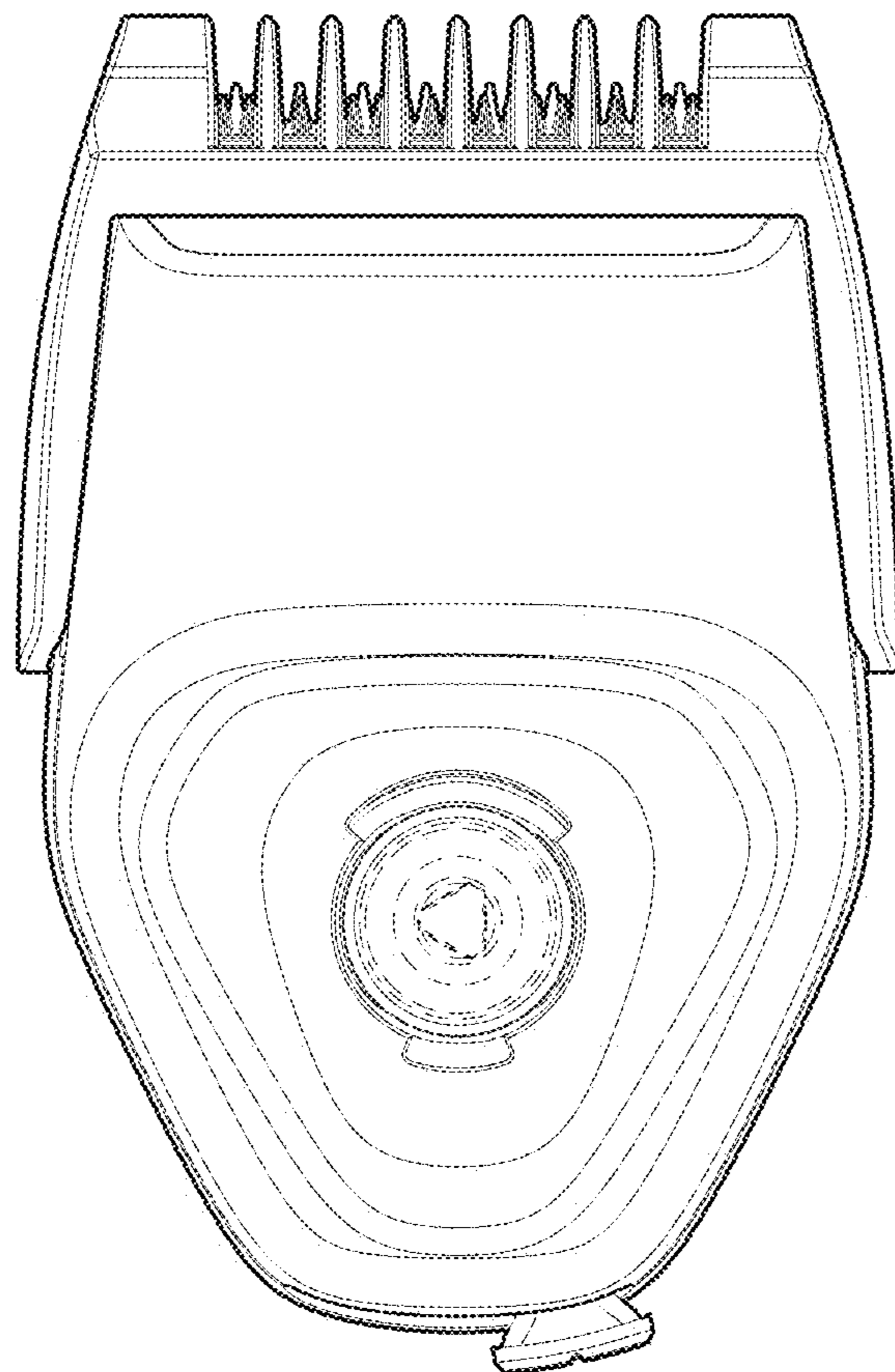


FIG. 7

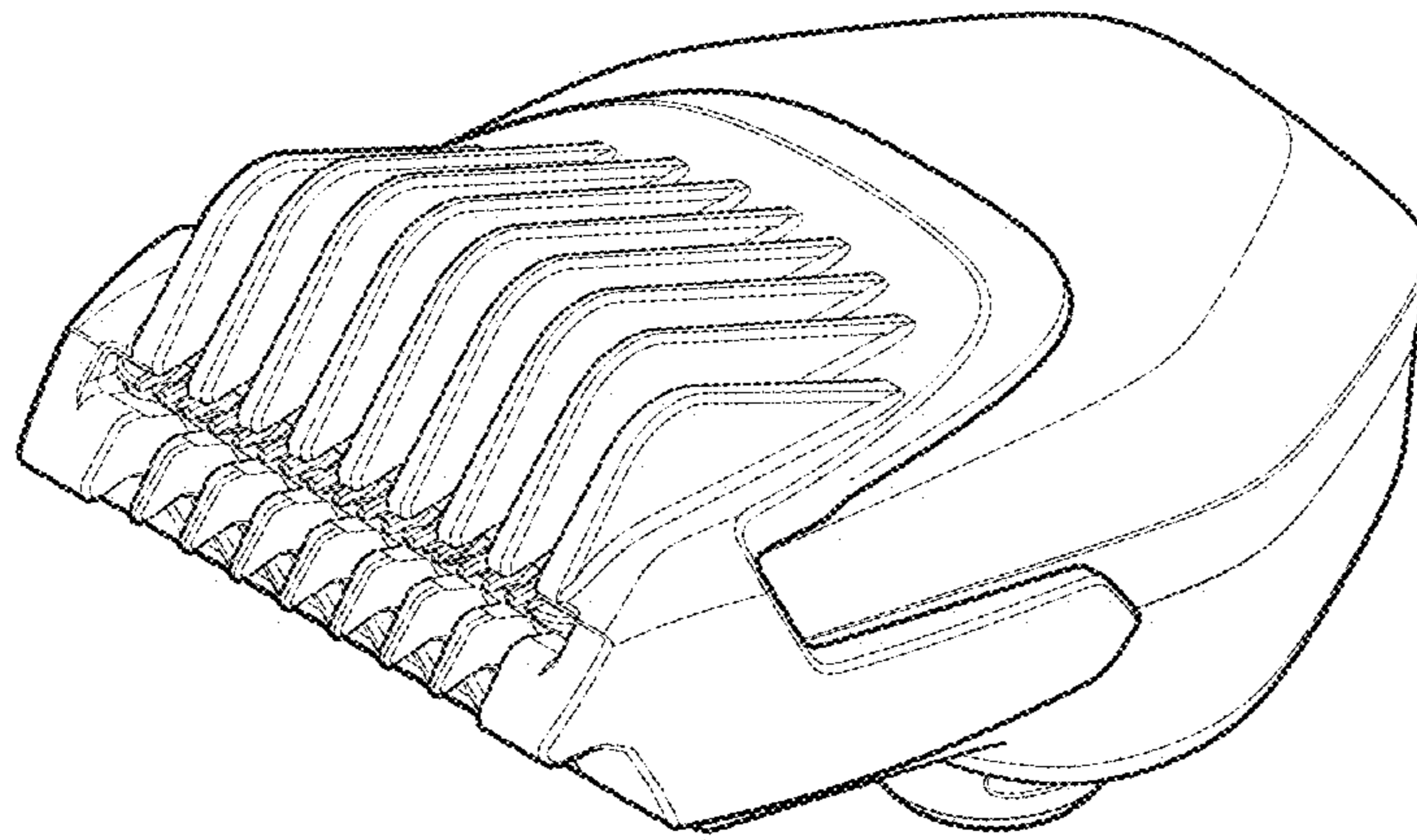


FIG. 8

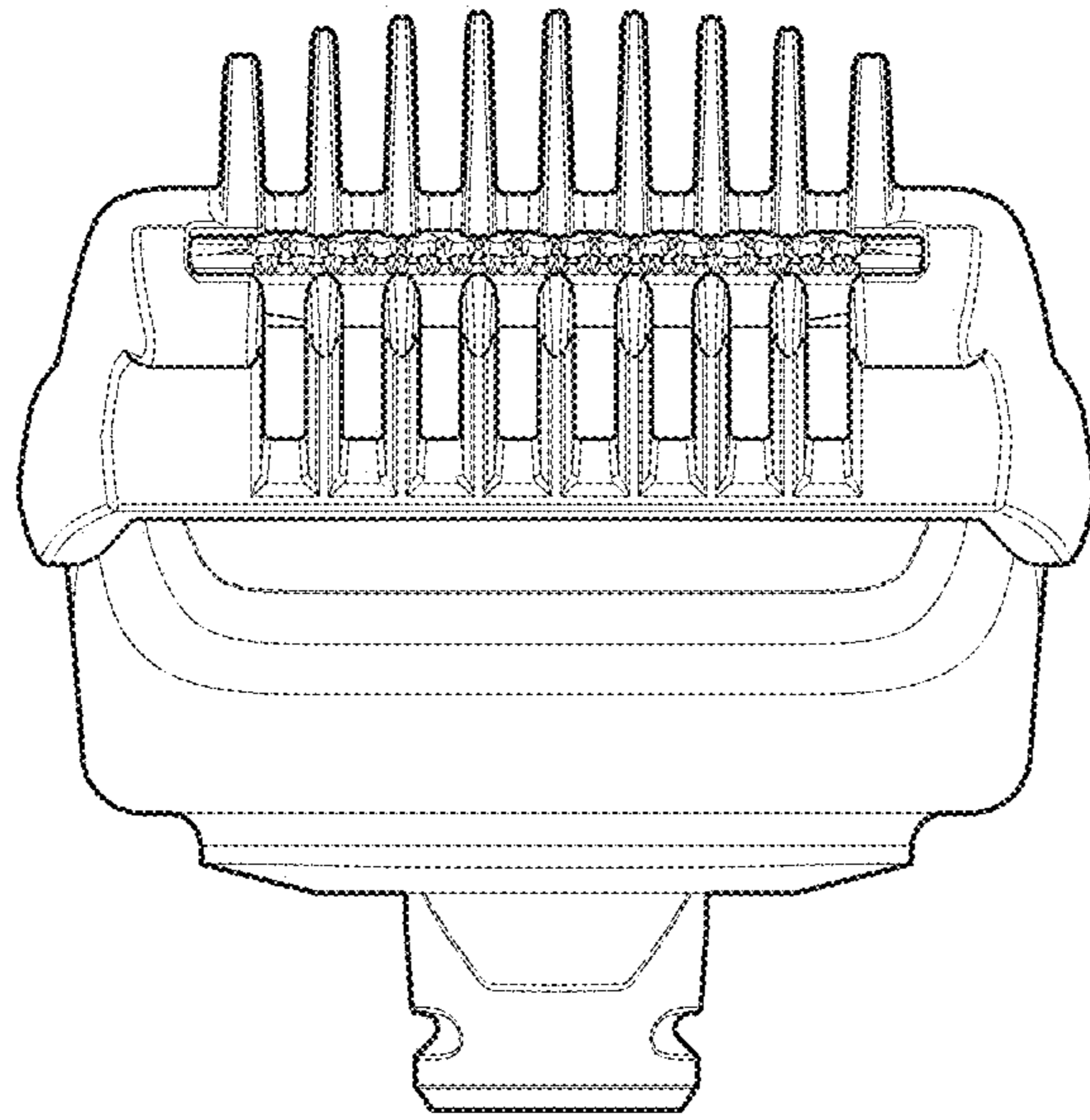


FIG. 9

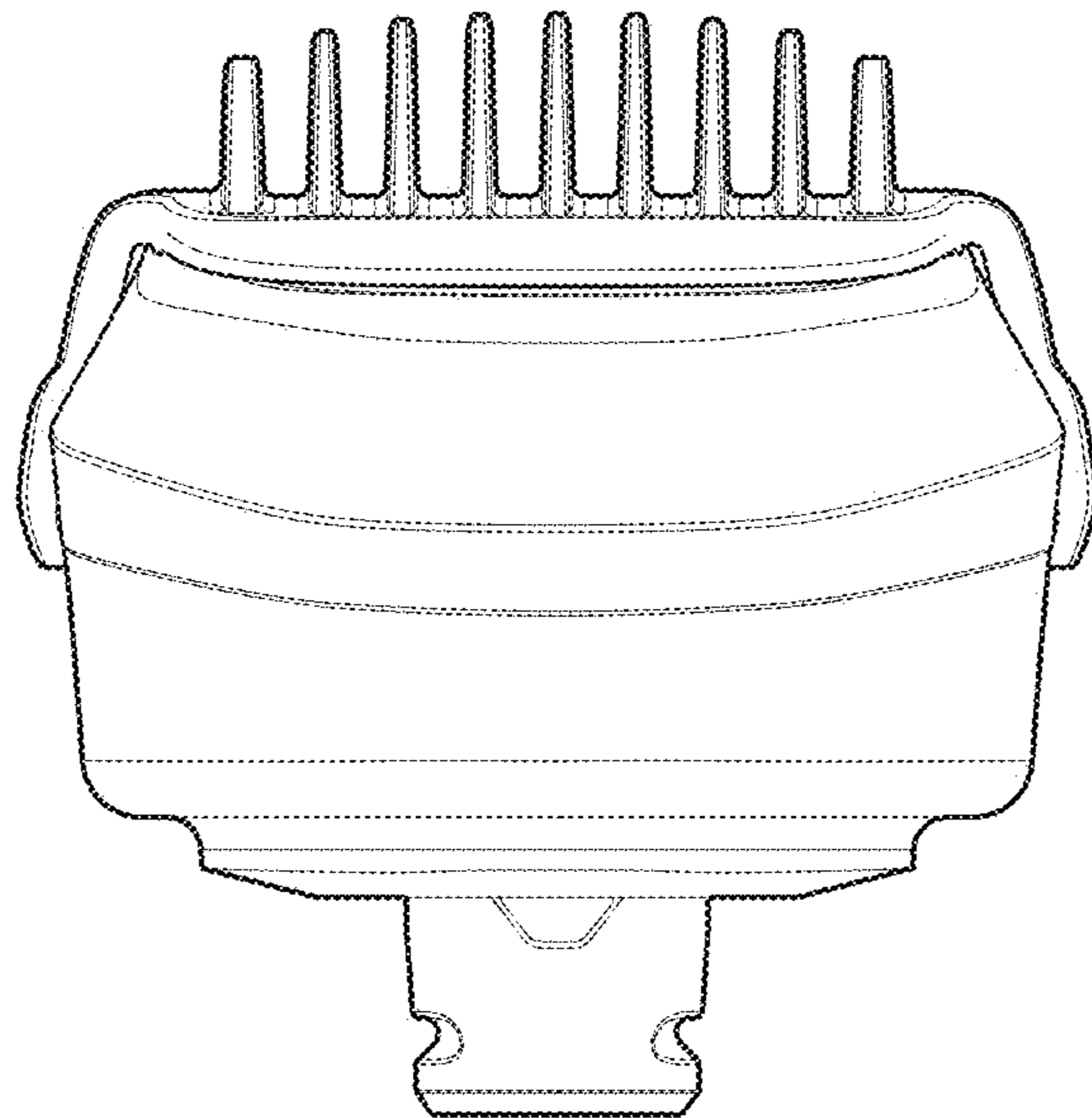


FIG. 10



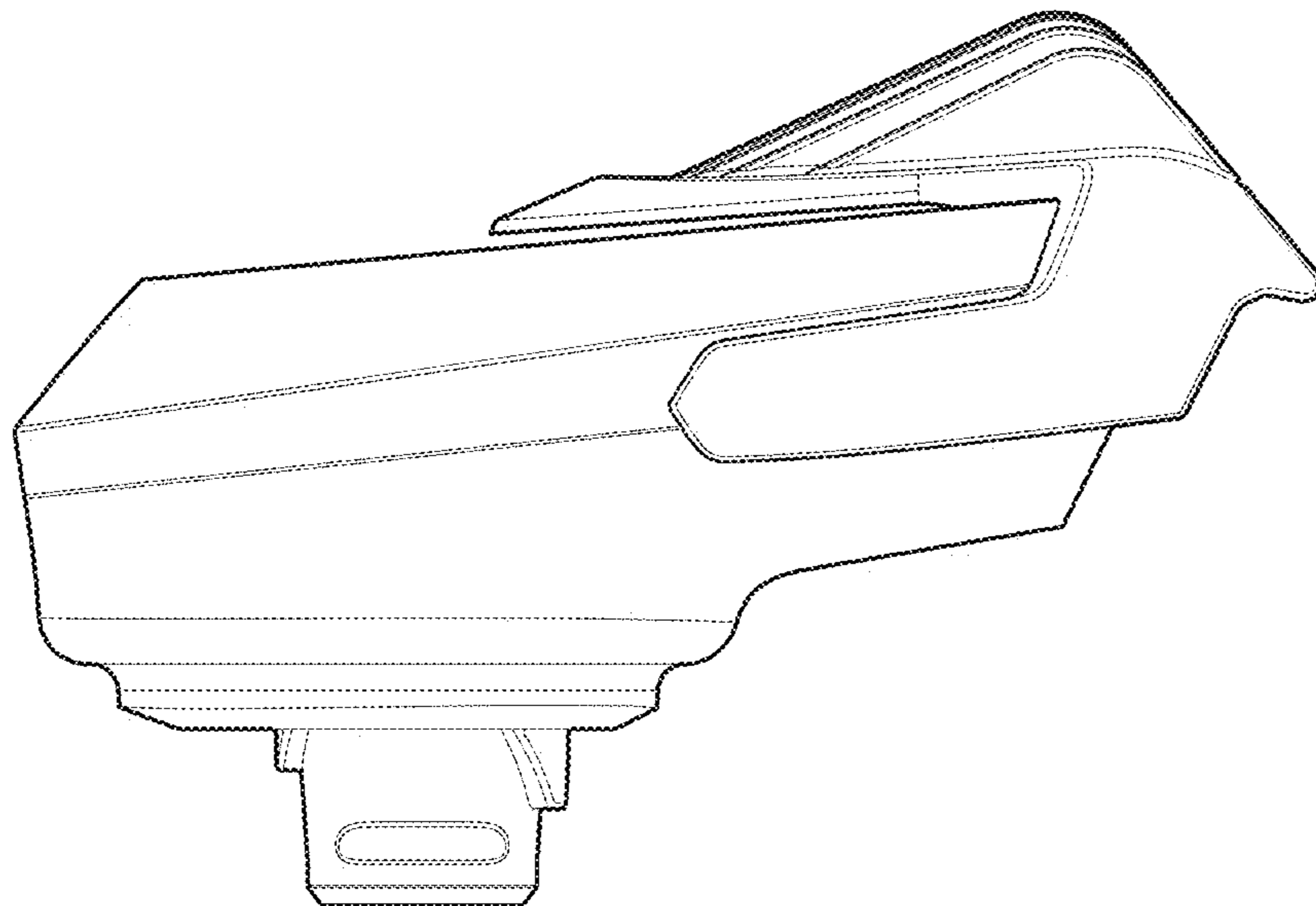


FIG. 11

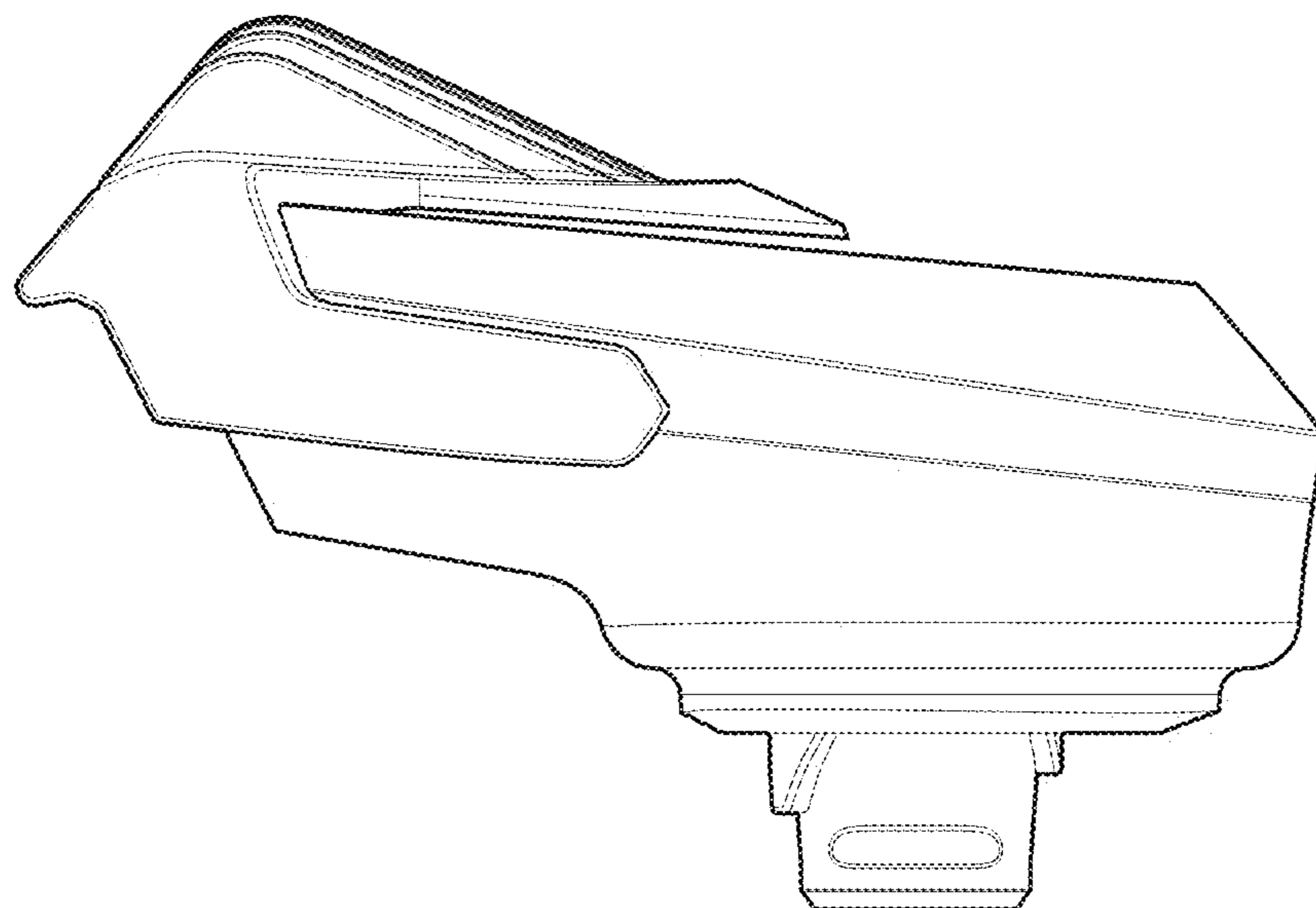


FIG. 12

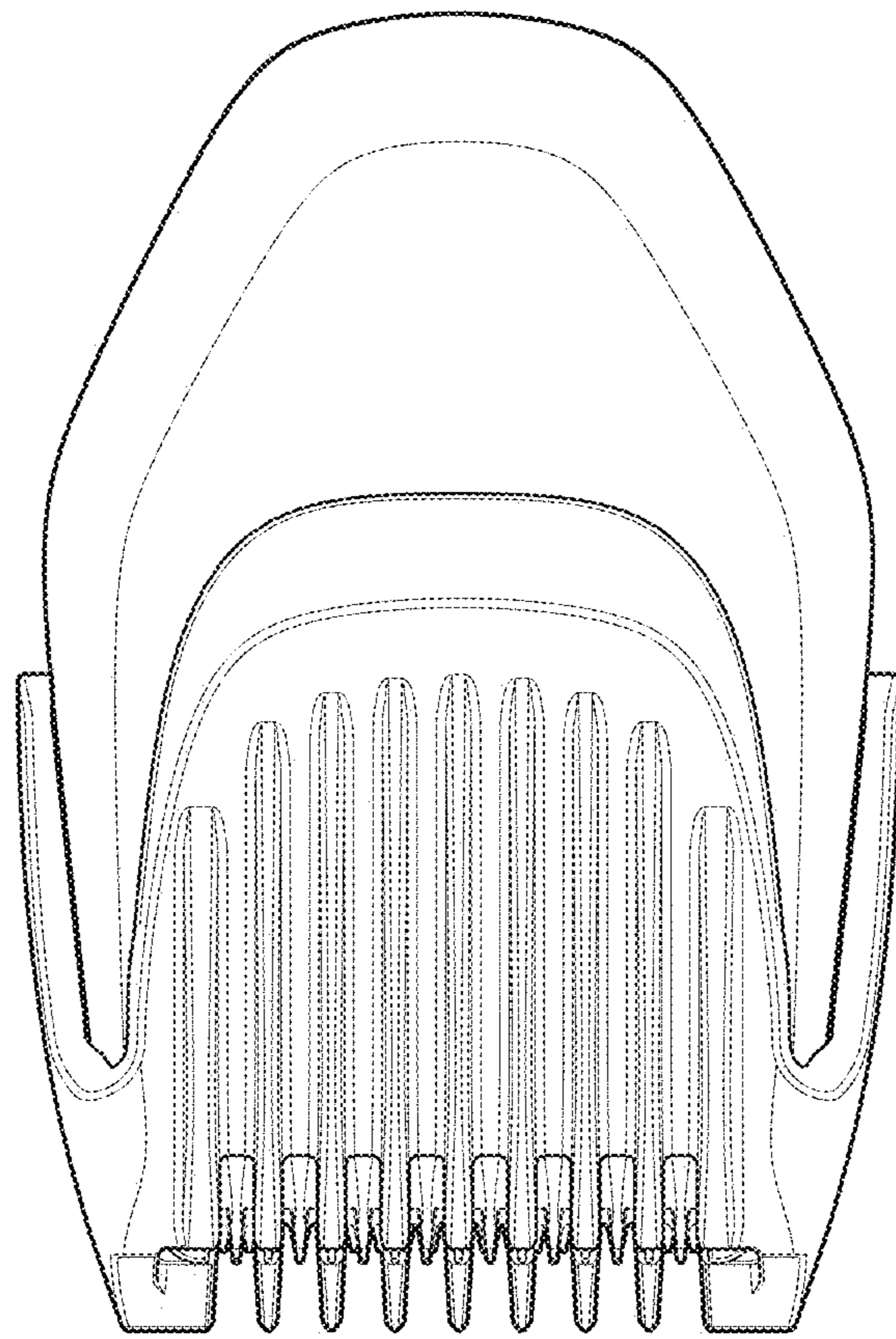


FIG. 13

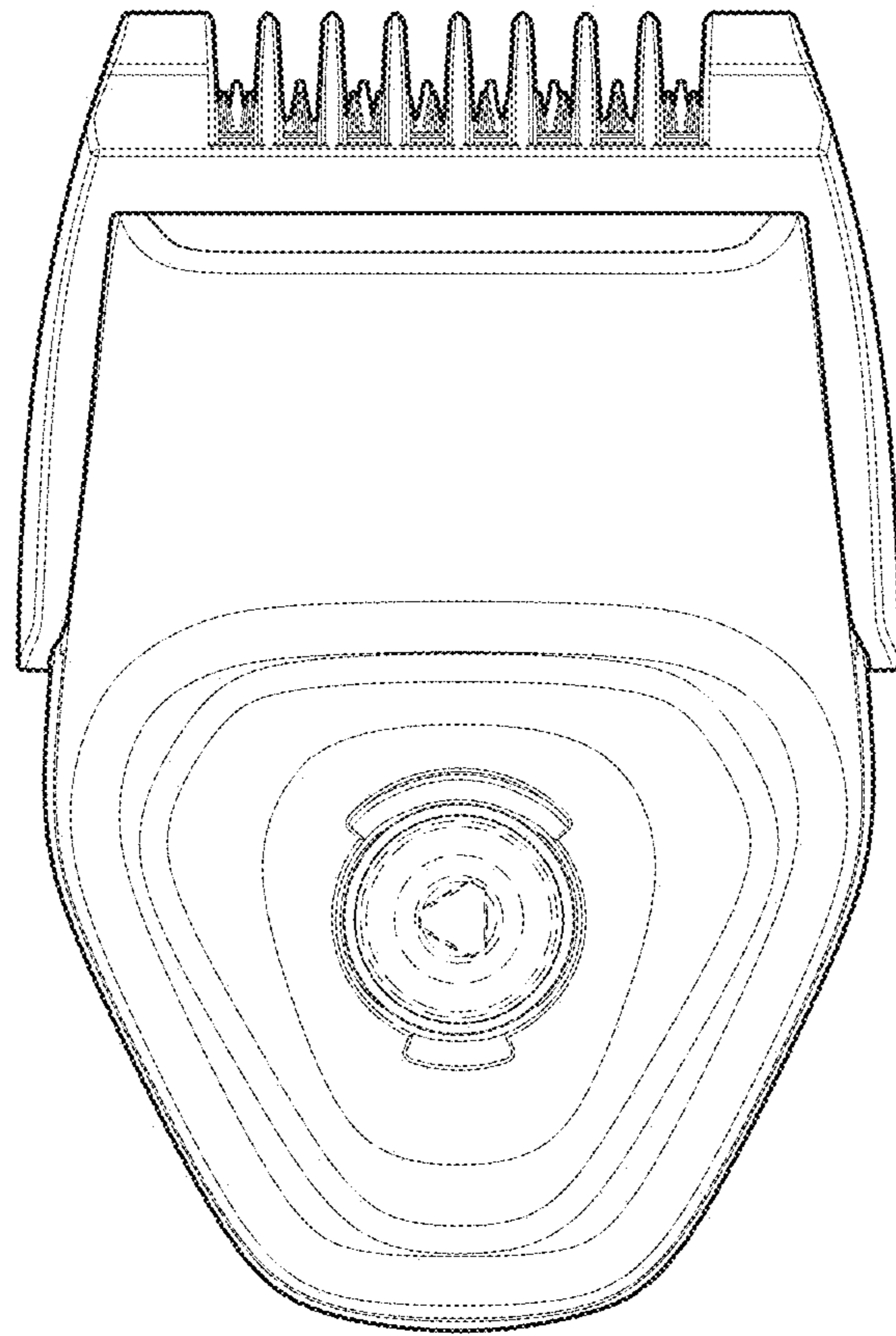


FIG. 14