



US00D961847S

(12) **United States Design Patent** (10) **Patent No.:** **US D961,847 S**
Walker, Jr. et al. (45) **Date of Patent:** **** Aug. 23, 2022**

- (54) **SHAVING RAZOR CARTRIDGE**
- (71) Applicant: **The Gillette Company**, Boston, MA (US)
- (72) Inventors: **Vincent Paul Walker, Jr.**, Bridgewater, MA (US); **Alejandro Carlos Lee**, Cambridge, MA (US)
- (73) Assignee: **The Gillette Company LLC**, Boston, MA (US)
- (**) Term: **15 Years**
- (21) Appl. No.: **29/708,307**
- (22) Filed: **Oct. 4, 2019**

- 4,063,354 A 12/1977 Oldroyd et al.
- 4,084,316 A 4/1978 Frederick
- 4,226,019 A 10/1980 Sugiyama
- 4,257,160 A 3/1981 Murai
- 4,272,885 A 6/1981 Ferraro
- 4,389,773 A 6/1983 Nissen
- 4,403,412 A 9/1983 Trotta

(Continued)

FOREIGN PATENT DOCUMENTS

- CN 202878368 U 4/2013
- EP 2537648 A1 12/2012

(Continued)

OTHER PUBLICATIONS

All Office Actions, U.S. Appl. No. 15/697,591.
(Continued)

Related U.S. Application Data

- (62) Division of application No. 29/577,063, filed on Sep. 9, 2016, now Pat. No. Des. 877,983.
- (51) **LOC (13) Cl.** **28-03**
- (52) **U.S. Cl.**
USPC **D28/47**
- (58) **Field of Classification Search**
USPC D28/46-48
CPC B26B 21/22-227; B26B 21/4012-4031;
B26B 21/4068
See application file for complete search history.

Primary Examiner — Jennifer Rivard
(74) *Attorney, Agent, or Firm* — John M. Lipchitz

(57) **CLAIM**

The ornamental design for a shaving razor cartridge, as shown and described.

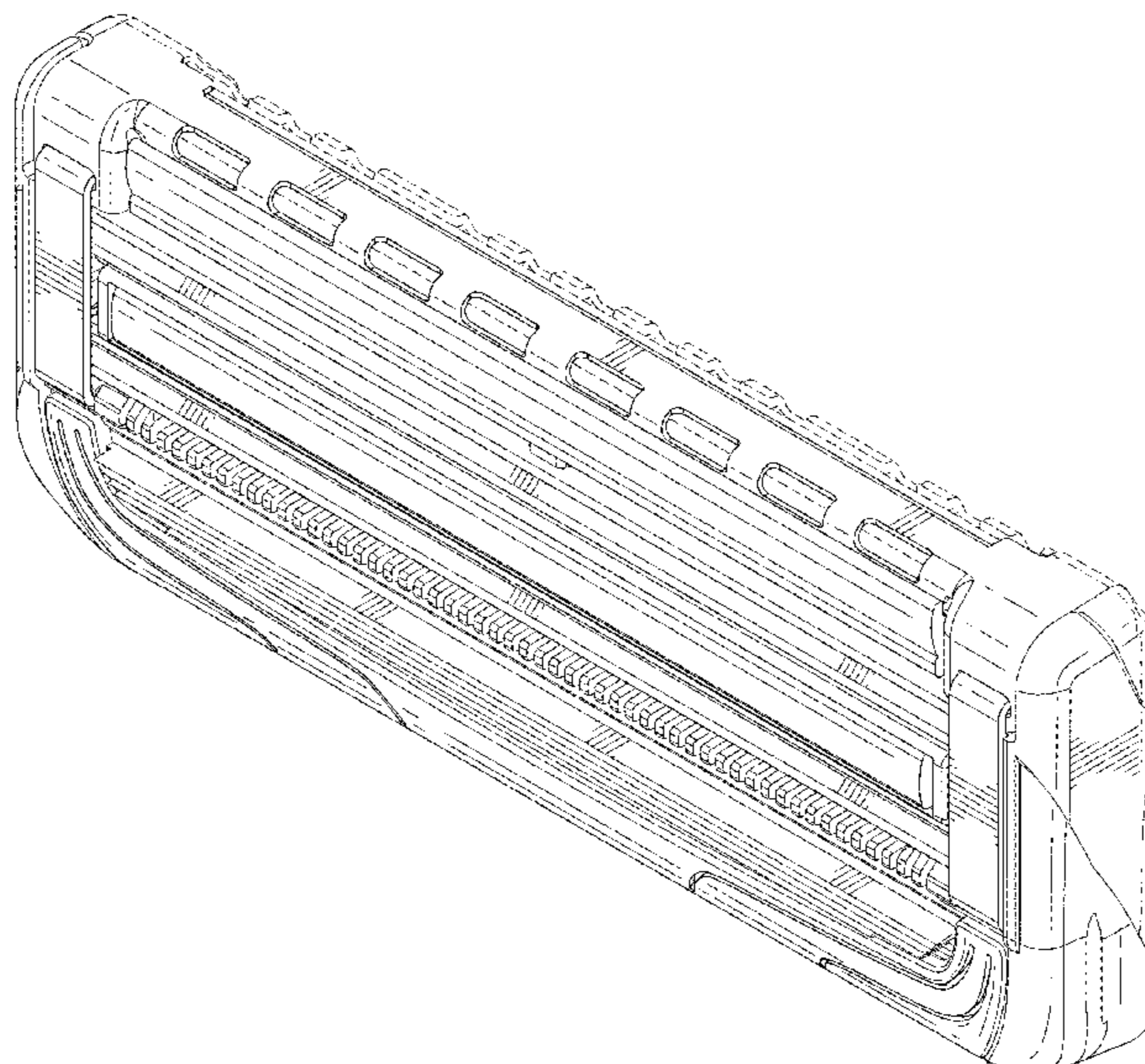
DESCRIPTION

FIG. 1 is a perspective view of a shaving razor cartridge showing our new design;
FIG. 2 is a top view thereof;
FIG. 3 is a bottom view thereof;
FIG. 4 is a right view thereof;
FIG. 5 is a left view thereof;
FIG. 6 is a rear view thereof; and,
FIG. 7 is a front view thereof.
The broken lines shown illustrate portions of the shaving razor cartridge. The broken lines form no part of the claimed design. The dash-dot lines shown are boundary lines and form no part of the claimed design.

1 Claim, 5 Drawing Sheets

(56) **References Cited**
U.S. PATENT DOCUMENTS

- 1,418,191 A 5/1922 McGarvey
- 1,633,139 A 6/1927 Staats-Oels
- 1,890,334 A 12/1932 Muros
- 2,505,493 A 4/1950 Fred
- 3,317,940 A 5/1967 Ludwig
- 3,657,692 A 4/1972 Wormser
- 3,786,563 A 1/1974 Dorion, Jr.
- 3,934,338 A 1/1976 Braginetz
- 3,940,853 A 3/1976 Francis



(56)

References Cited

U.S. PATENT DOCUMENTS

4,403,413 A	9/1983	Trotta	9,149,944 B2	10/2015	Hobson, Sr. et al.
4,485,554 A	12/1984	Bergamaschi	D744,165 S	11/2015	Tucker et al.
4,492,025 A	1/1985	Jacobson	D749,265 S	2/2016	Cataudella
4,562,644 A	1/1986	Hitchens	9,259,846 B1	2/2016	Robertson
4,586,255 A	5/1986	Jacobson	D764,101 S	8/2016	Cataudella
4,831,731 A	5/1989	Elits	9,415,522 B2	8/2016	Oglesby et al.
4,850,106 A	7/1989	Braun et al.	D766,506 S	9/2016	Bruno et al.
4,875,287 A	10/1989	Creasy et al.	9,457,486 B2	10/2016	Coresh
4,875,288 A	10/1989	Trotta et al.	D772,484 S	11/2016	Otsuka
5,113,585 A	5/1992	Rogers et al.	D776,875 S	1/2017	Ren et al.
5,341,571 A	8/1994	Prochaska	9,555,947 B2	1/2017	Su et al.
5,347,714 A	9/1994	Prochaska	D779,121 S	2/2017	Bruno et al.
5,359,774 A	11/1994	Althaus	D779,730 S *	2/2017	Bruno D28/47
5,369,885 A	12/1994	Ferraro	9,718,200 B2	8/2017	Dryfhout
5,402,574 A	4/1995	Milner	9,821,480 B2	11/2017	Coresh
5,456,009 A	10/1995	Wexler	9,890,348 B2	2/2018	Cohen
5,461,781 A	10/1995	Pirc	D829,992 S	10/2018	Hage et al.
5,522,137 A	6/1996	Andrews	10,155,320 B2	12/2018	Ren
5,546,660 A	8/1996	Burout et al.	D850,721 S	6/2019	Liberatore
5,551,155 A	9/1996	Prochaska	D869,767 S *	12/2019	Watson D28/46
5,630,275 A	5/1997	Wexler	10,532,472 B2	1/2020	Maras et al.
5,666,729 A	9/1997	Ferraro	D877,983 S *	3/2020	Walker, Jr. D28/47
5,713,131 A	2/1998	Rogers et al.	D902,485 S *	11/2020	Goeder D28/48
5,761,814 A	6/1998	Anderson et al.	D908,285 S *	1/2021	Cataudella D28/47
5,802,721 A	9/1998	Wain et al.	D921,984 S *	6/2021	Brissett D28/47
6,141,875 A	11/2000	Andrews	2002/0066186 A1	6/2002	White et al.
6,161,288 A	12/2000	Andrews	2002/0095791 A1	7/2002	Pennella et al.
6,173,498 B1	1/2001	Warrick et al.	2003/0159291 A1	8/2003	Clark
6,243,951 B1	6/2001	Oldroyd	2003/0217470 A1	11/2003	Folio et al.
6,298,558 B1	10/2001	Tseng	2004/0128835 A1	7/2004	Coffin et al.
6,305,084 B1	10/2001	Zucker	2004/0181949 A1	9/2004	Coffin et al.
6,378,211 B1	4/2002	McCool et al.	2004/0231161 A1	11/2004	Coffin et al.
6,397,473 B1	6/2002	Clark	2004/0255467 A1	12/2004	Lembke et al.
6,434,828 B1	8/2002	Andrews	2004/0261271 A1	12/2004	Coffin
6,442,840 B2	9/2002	Zucker	2005/0115073 A1	6/2005	Brown et al.
6,550,141 B1	4/2003	Rivers et al.	2005/0198842 A1	9/2005	Walker et al.
6,655,029 B2	12/2003	Saito	2006/0064875 A1	3/2006	Folio et al.
6,655,030 B2	12/2003	Zuidervaart	2008/0256803 A1	10/2008	Tucker et al.
6,769,180 B2	8/2004	Coffin	2010/0170094 A1	7/2010	Hayashi
6,944,952 B1	9/2005	Tseng	2010/0218381 A1	9/2010	Folio
7,086,160 B2	8/2006	Coffin et al.	2010/0281694 A1	11/2010	Royle
7,111,401 B2	9/2006	Richard	2011/0146079 A1	6/2011	Clarke
D563,044 S	2/2008	Ramm	2011/0203113 A1	8/2011	Wang
D575,454 S	8/2008	Keene	2011/0219625 A1	9/2011	Bryan
D604,904 S *	11/2009	Watson D28/47	2011/0283539 A1	11/2011	Bryan
7,681,314 B2	3/2010	Folio	2011/0289779 A1	12/2011	Volodin et al.
D617,947 S	6/2010	Lukan et al.	2012/0110857 A1	5/2012	Peterson et al.
D617,949 S	6/2010	Lukan et al.	2012/0151772 A1	6/2012	Moon
7,730,619 B2	6/2010	Ozenick	2012/0317818 A1	12/2012	Oglesby
D631,198 S	1/2011	Adams	2012/0324737 A1	12/2012	Howell et al.
7,882,610 B2	2/2011	Gratsias et al.	2014/0000082 A1	1/2014	Xu
D638,580 S	5/2011	Adams	2014/0230252 A1	8/2014	Davos
8,209,867 B2	7/2012	Clarke	2014/0259677 A1	9/2014	Coresh
D665,948 S	8/2012	Jessemey et al.	2014/0331500 A1	11/2014	Ren
8,234,789 B2	8/2012	Avens et al.	2015/0090085 A1	4/2015	Griffin et al.
8,307,553 B2	11/2012	Folio et al.	2015/0158190 A1	6/2015	Georgakis et al.
8,327,546 B2	12/2012	Tucker et al.	2015/0158191 A1	6/2015	Jeong et al.
8,336,212 B2	12/2012	Bozikis et al.	2015/0283715 A1	10/2015	Stephens et al.
8,413,334 B2	4/2013	Walker, Jr. et al.	2016/0001454 A1	1/2016	Coresh
8,415,522 B2	4/2013	Gutierrez	2016/0089800 A1	3/2016	Coresh
8,479,398 B2	7/2013	Coresh	2016/0107324 A1	4/2016	Robertson et al.
8,533,961 B2	9/2013	Gester et al.	2016/0143836 A1	5/2016	Hayes et al.
8,544,177 B2	10/2013	Rawle et al.	2016/0297086 A1	10/2016	Efthimiadis et al.
8,603,961 B2	12/2013	Panandiker	2016/0332313 A1 *	11/2016	O'Connor B26B 21/222
8,707,561 B1	4/2014	Kneier	2017/0028577 A1	2/2017	Ntavos et al.
8,726,518 B2	5/2014	Bruno	2017/0151683 A1	6/2017	Bozikis et al.
D707,885 S	6/2014	Cataudella	2017/0151684 A1	6/2017	Bozikis et al.
9,015,951 B2	4/2015	Howell et al.	2017/0217033 A1	8/2017	Tucker et al.
9,032,628 B2	5/2015	Hobson, Sr. et al.	2017/0341247 A1	11/2017	Zafropoulos et al.
9,144,914 B2	9/2015	Coresh	2017/0348866 A1	12/2017	Psimadas et al.
D741,008 S	10/2015	Bruno et al.	2018/0071929 A1	3/2018	Walker, Jr.
D741,009 S	10/2015	Bruno et al.	2018/0071930 A1	3/2018	Walker, Jr. et al.
D741,010 S	10/2015	Wang et al.	2018/0071931 A1	3/2018	Walker, Jr. et al.
D741,011 S	10/2015	Forti et al.	2018/0345511 A1	12/2018	Clarke et al.
D741,546 S	10/2015	Witkus et al.	2018/0345512 A1 *	12/2018	Walker, Jr. B26B 21/4018
			2018/0361604 A1 *	12/2018	Bozikis B26B 21/4025
			2019/0061184 A1	2/2019	Lin et al.
			2019/0202076 A1 *	7/2019	Park B26B 21/4068
			2019/0224874 A1	7/2019	Blatter et al.

(56)

References Cited

U.S. PATENT DOCUMENTS

2019/0299455 A1 10/2019 Patel et al.
2019/0299464 A1 10/2019 Washington et al.
2019/0299472 A1 10/2019 Johnson et al.
2019/0299477 A1* 10/2019 Johnson B21D 53/70
2020/0368927 A1* 11/2020 O'Connor B26B 21/443
2021/0379781 A1 12/2021 Walker, Jr.

FOREIGN PATENT DOCUMENTS

JP S5078493 U 7/1975
JP H0436972 U 3/1992
JP H0631666 U 4/1994
JP H0636577 U 5/1994
WO 9602370 A1 2/1996
WO 9717174 A2 5/1997
WO 2016109136 A1 7/2016

OTHER PUBLICATIONS

All Office Actions, U.S. Appl. No. 15/697,616.
All Office Actions, U.S. Appl. No. 15/697,624.
All Office Actions, U.S. Appl. No. 15/975,819.
All Office Actions, U.S. Appl. No. 29/577,063.
All Office Actions, U.S. Appl. No. 29/684,186.
All Office Actions, U.S. Appl. No. 17/405,678.
All Office Actions; U.S. Appl. No. 29/782,120, filed May 4, 2021.

* cited by examiner

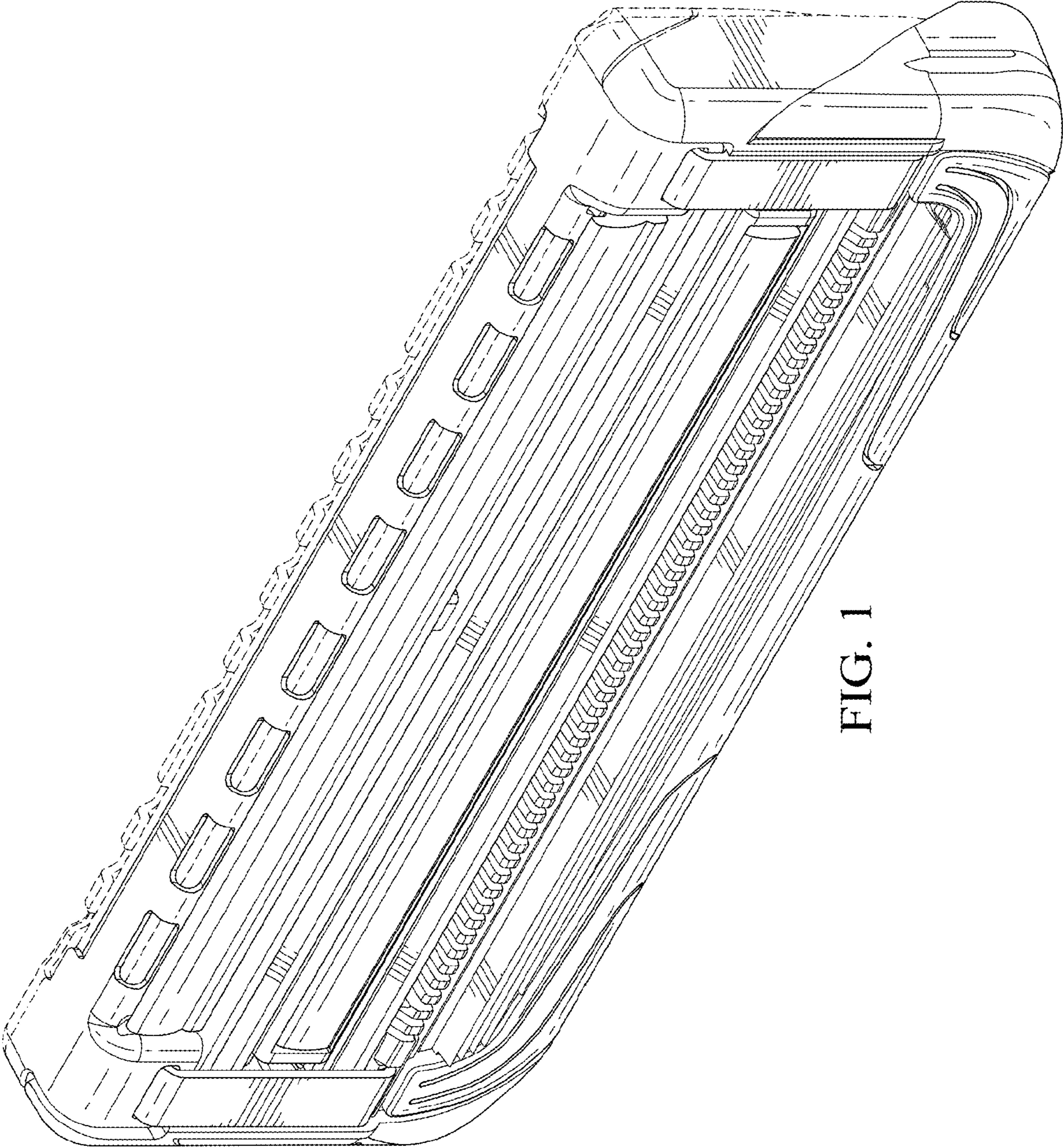


FIG. 1

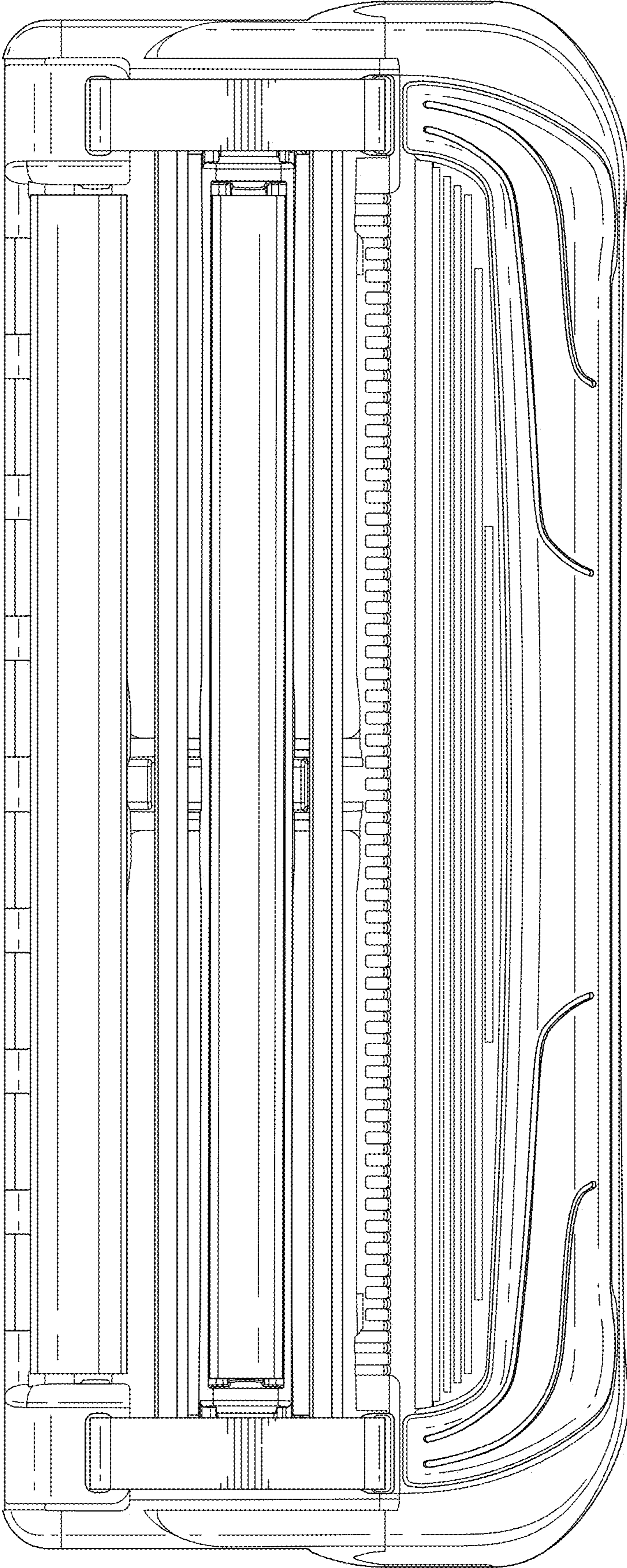


FIG. 2

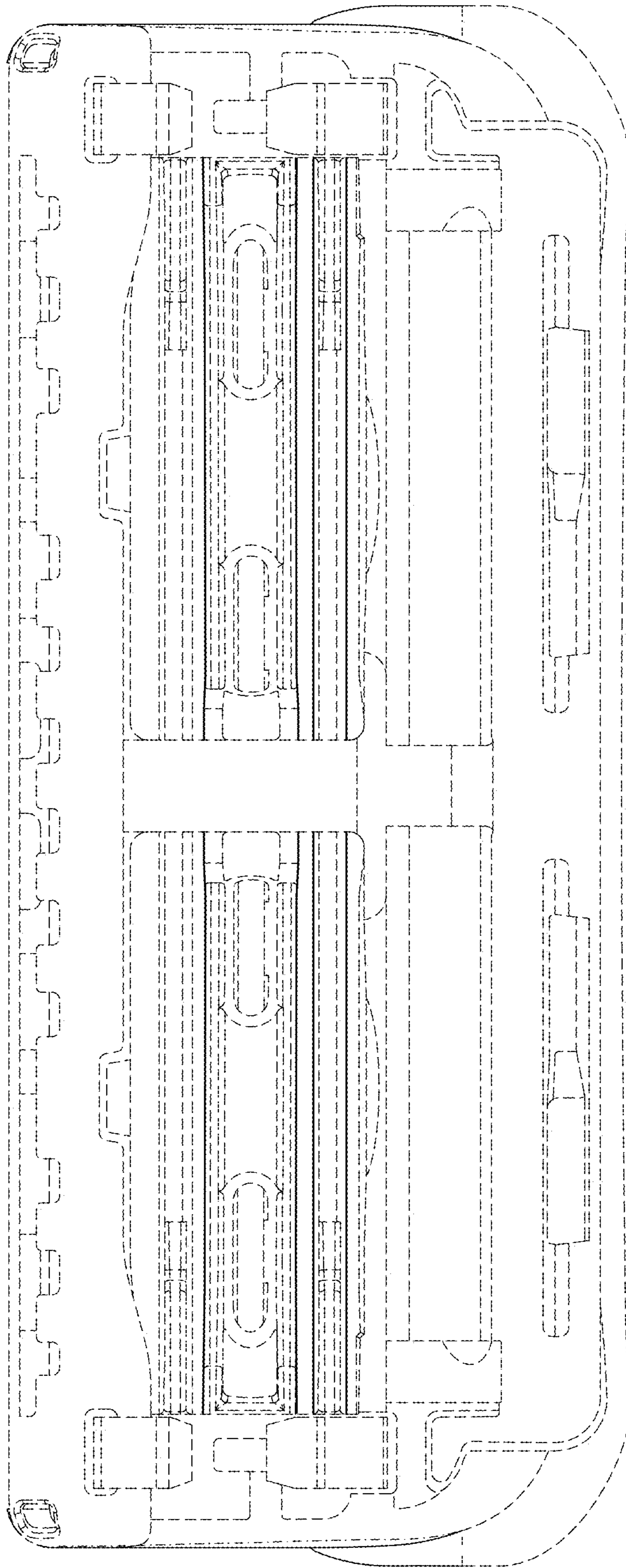


FIG. 3

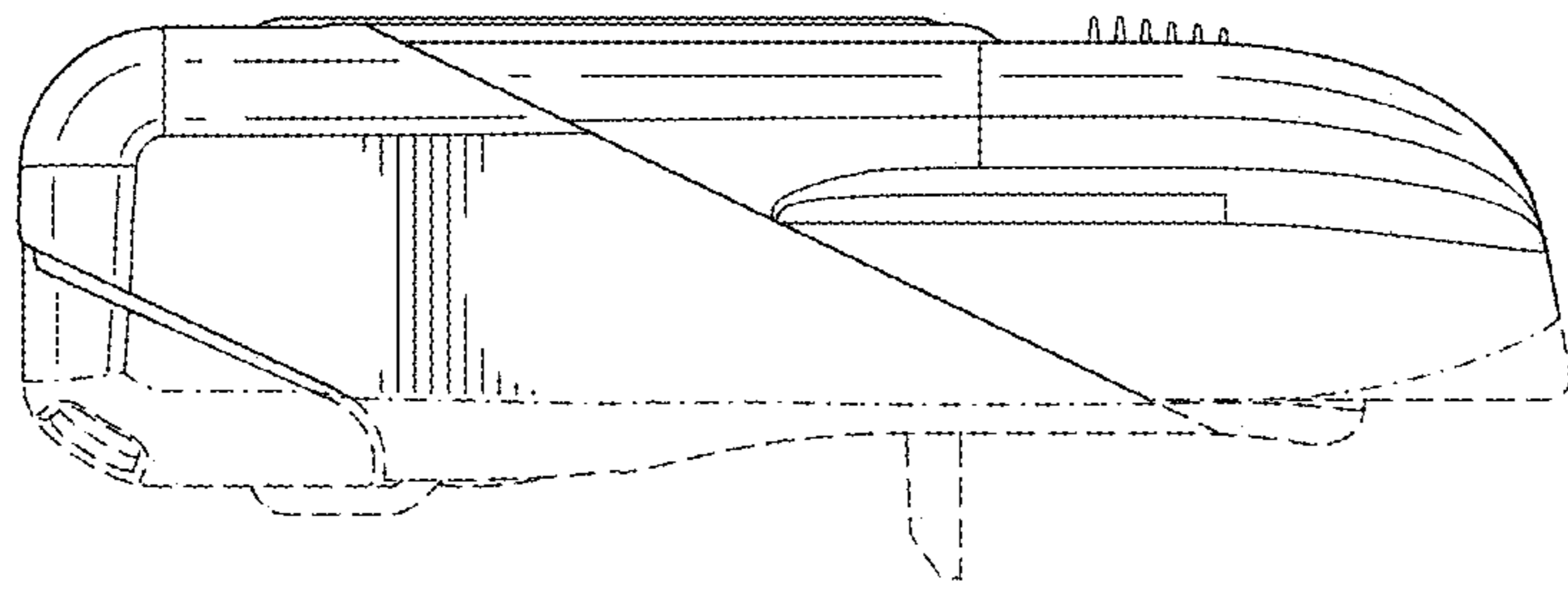


FIG. 5

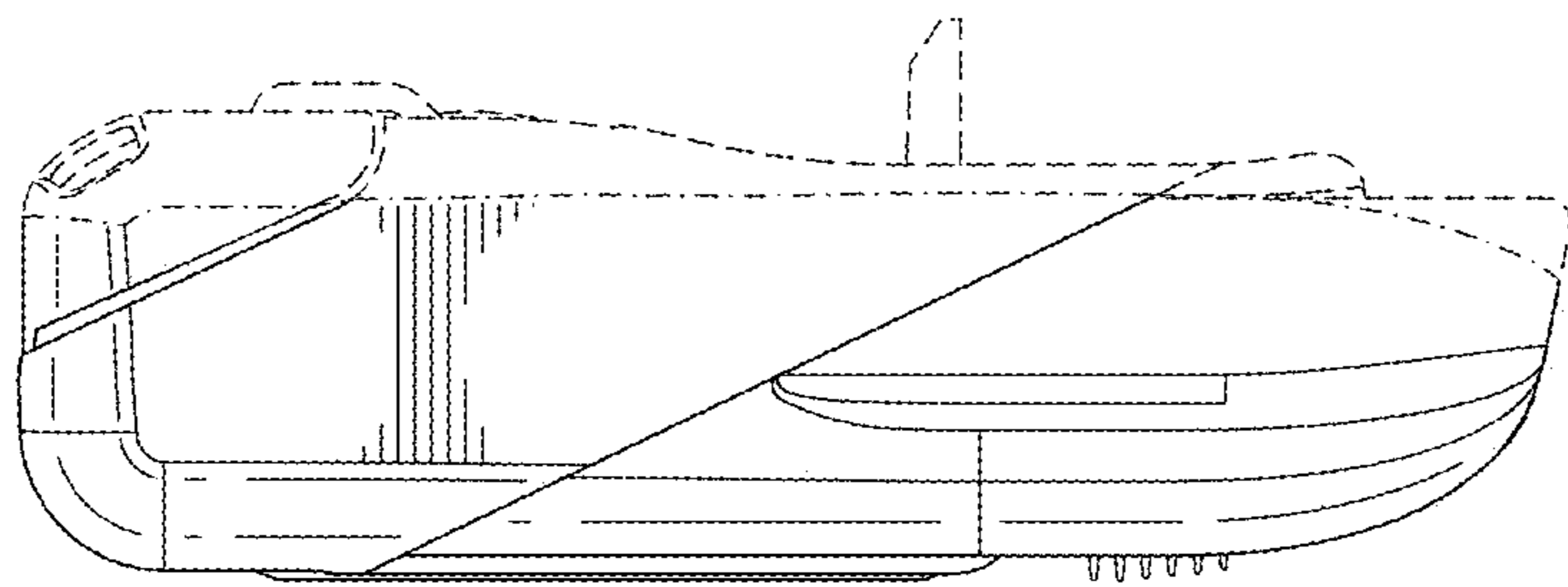


FIG. 4

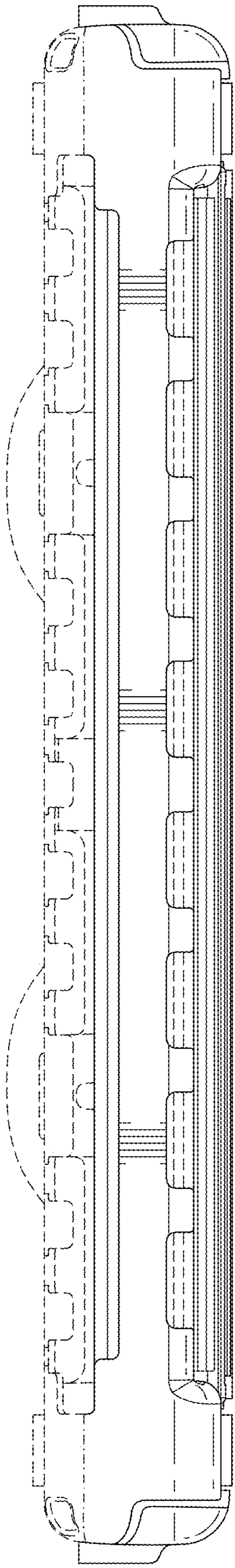


FIG. 6

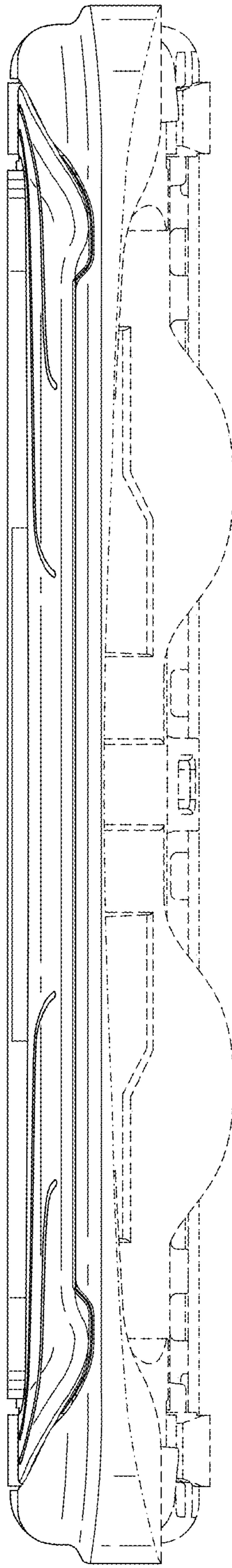


FIG. 7