



US00D961845S

(12) **United States Design Patent**
Wang

(10) **Patent No.:** **US D961,845 S**

(45) **Date of Patent:** **** Aug. 23, 2022**

- (54) **EYELASH APPLICATOR**
- (71) Applicant: **Aoyi International (HK) Limited,**
Sheung Wan (HK)
- (72) Inventor: **Bin Wang,** Jinan (CN)
- (73) Assignee: **Aoyi International (HK) Limited,**
Sheung Wan (CN)
- (**) Term: **15 Years**
- (21) Appl. No.: **29/753,905**
- (22) Filed: **Oct. 2, 2020**
- (51) **LOC (13) Cl.** **28-03**
- (52) **U.S. Cl.**
USPC **D28/36; D28/7**
- (58) **Field of Classification Search**
USPC D28/7, 36, 55
CPC A41G 5/02; A45D 2/48
See application file for complete search history.

D814,107 S *	3/2018	Lotti	D28/7
D850,715 S *	6/2019	Lotti	D28/7
D862,796 S *	10/2019	Jin Kim	D28/7
D863,679 S *	10/2019	Lotti	D28/7
D895,201 S *	9/2020	Lotti	D28/7
D914,965 S *	3/2021	Lotti	D28/7
D937,482 S *	11/2021	Kim	D28/7

* cited by examiner

Primary Examiner — Zenia I Bennett

(57) **CLAIM**

The ornamental design for an eyelash applicator, as shown and described.

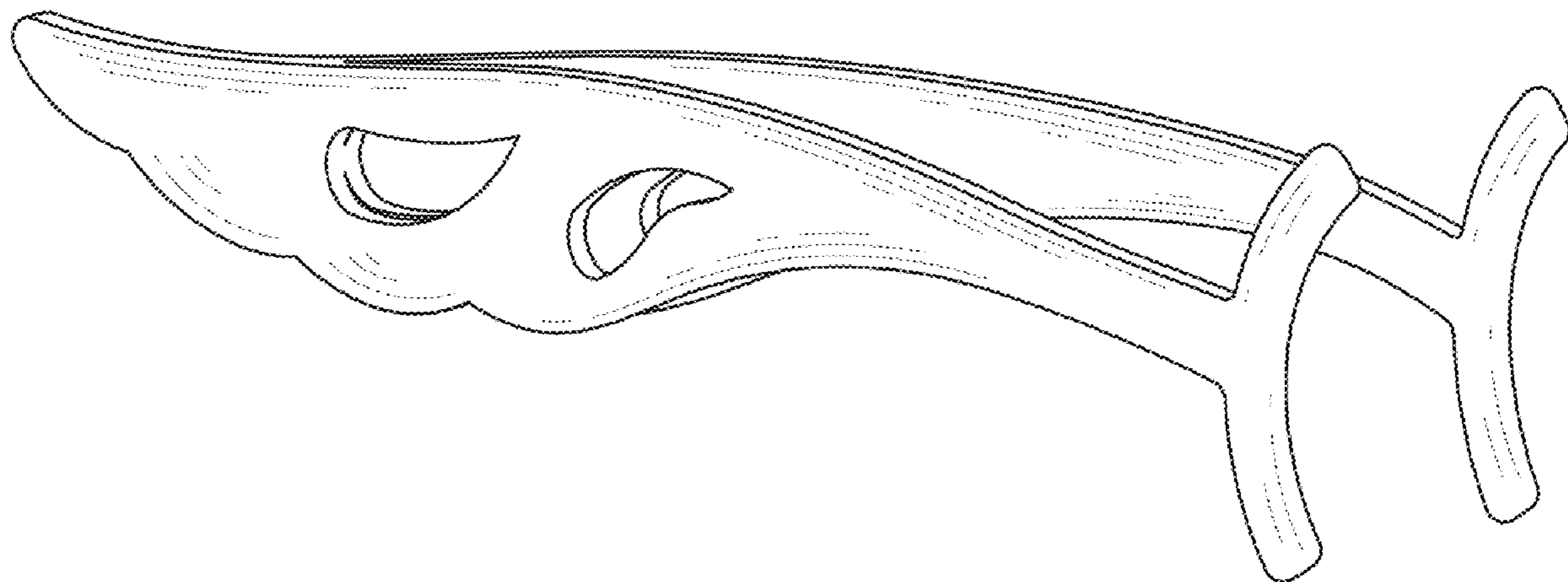
DESCRIPTION

FIG. 1 is a perspective view of an eyelash applicator showing my/our new design;
 FIG. 2 is a front view thereof;
 FIG. 3 is back view thereof;
 FIG. 4 is a right side view thereof;
 FIG. 5 is a left side view thereof;
 FIG. 6 is a top view thereof; and,
 FIG. 7 is a bottom view thereof.

The broken lines in the drawing depict environmental subject matter only and form no part of the claimed design.

1 Claim, 7 Drawing Sheets

- (56) **References Cited**
U.S. PATENT DOCUMENTS
D213,239 S * 1/1969 Flewellin D28/36
D627,103 S * 11/2010 Cho D28/55



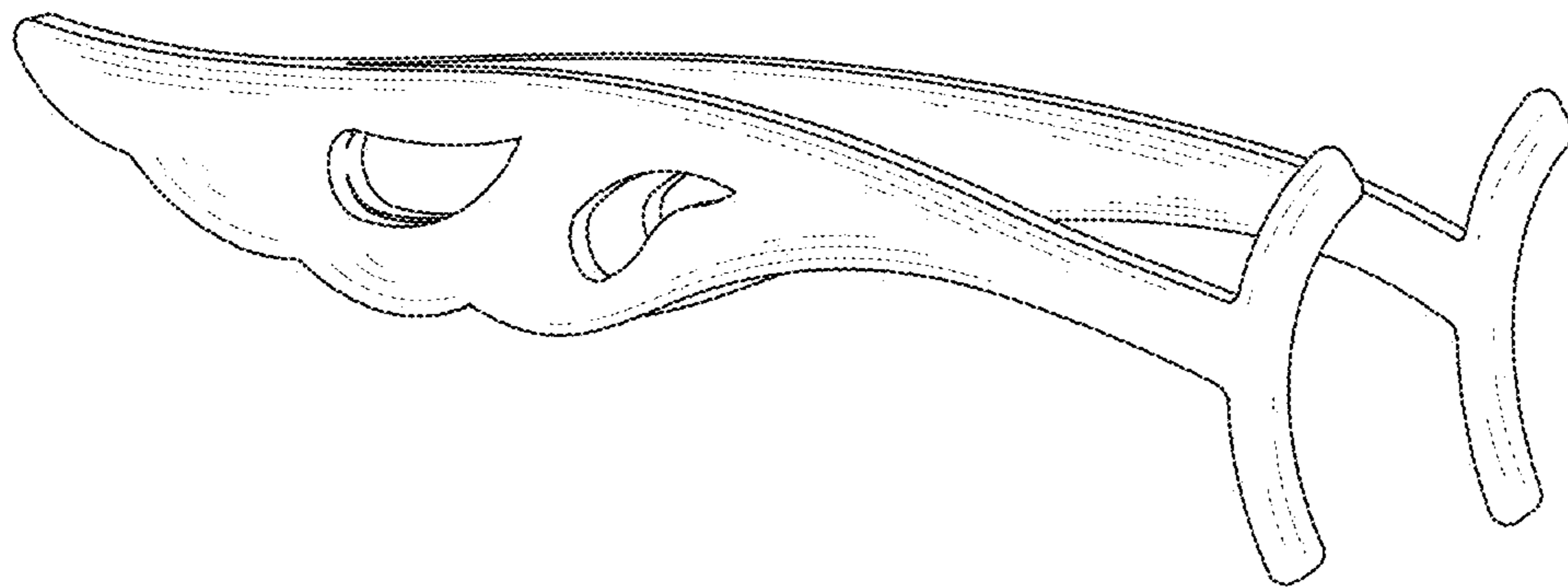


FIG.1

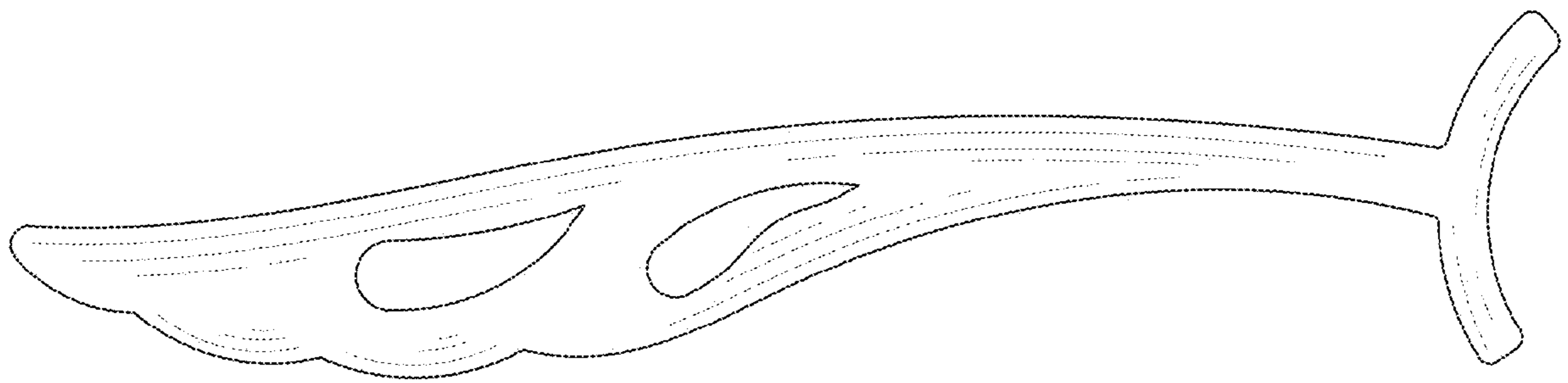


FIG.2

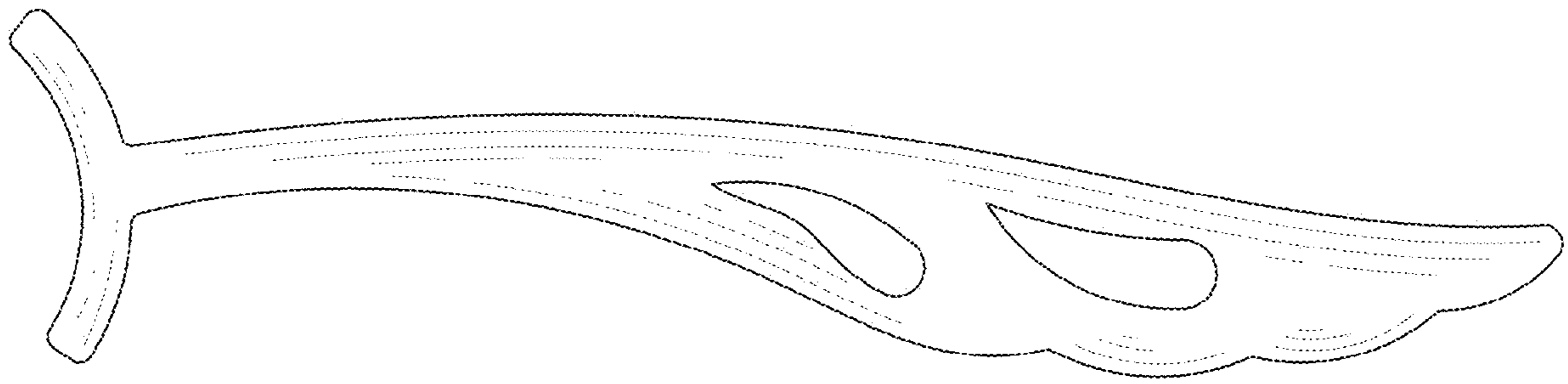


FIG.3

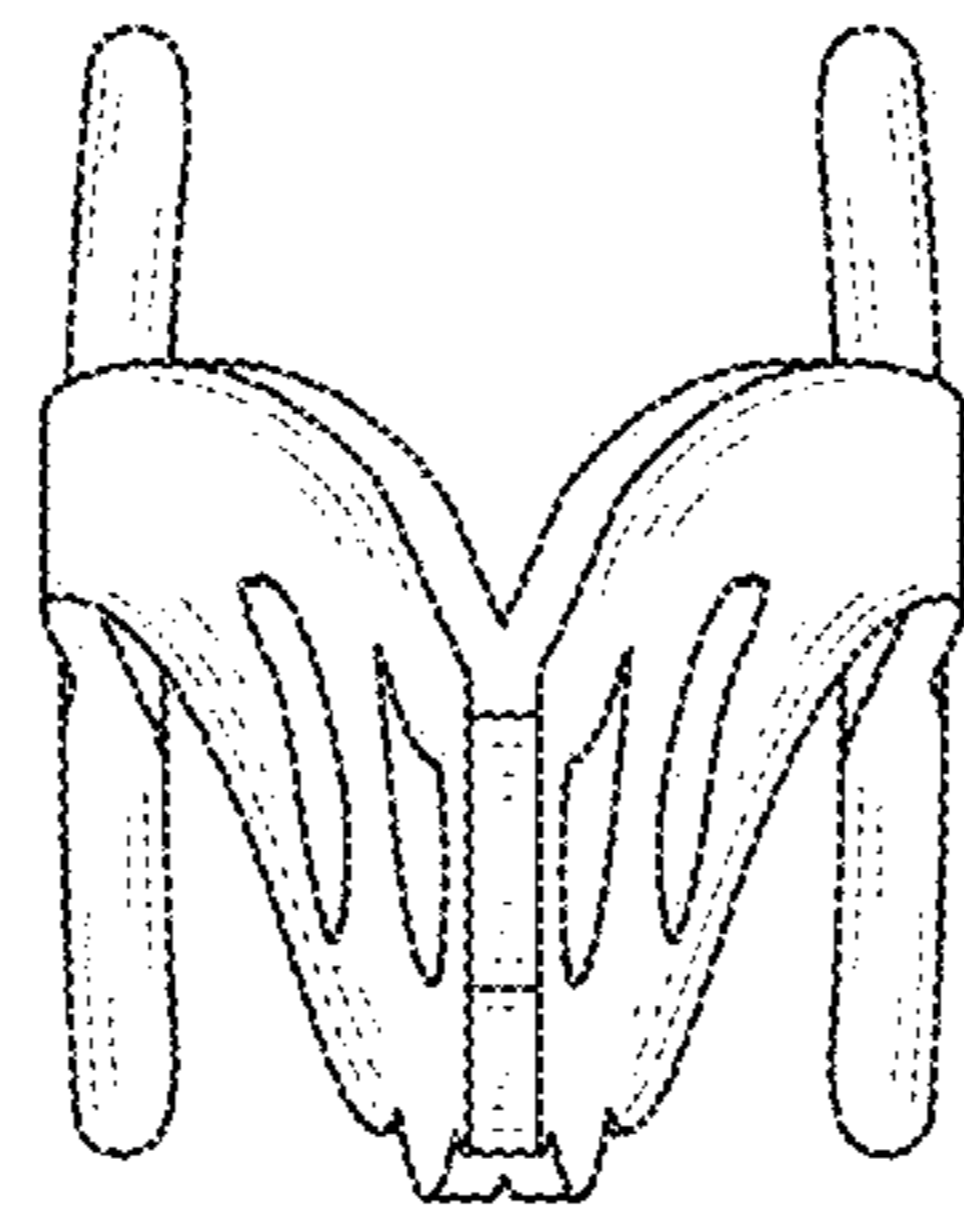


FIG. 4

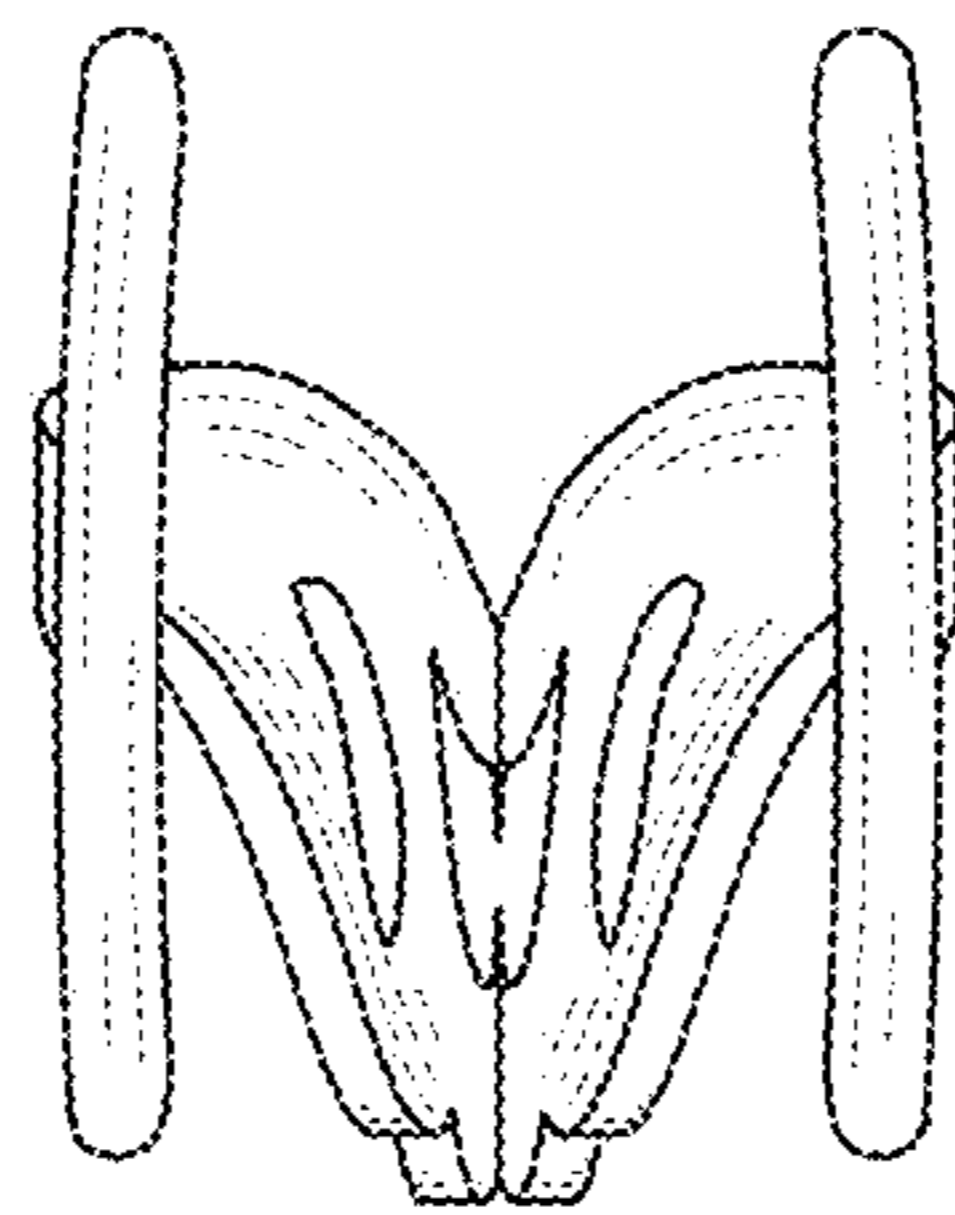


FIG.5

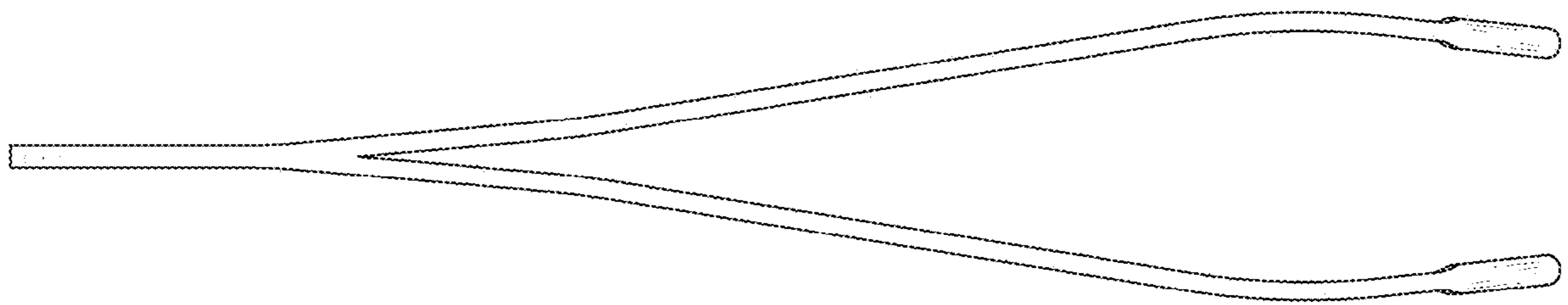


FIG. 6

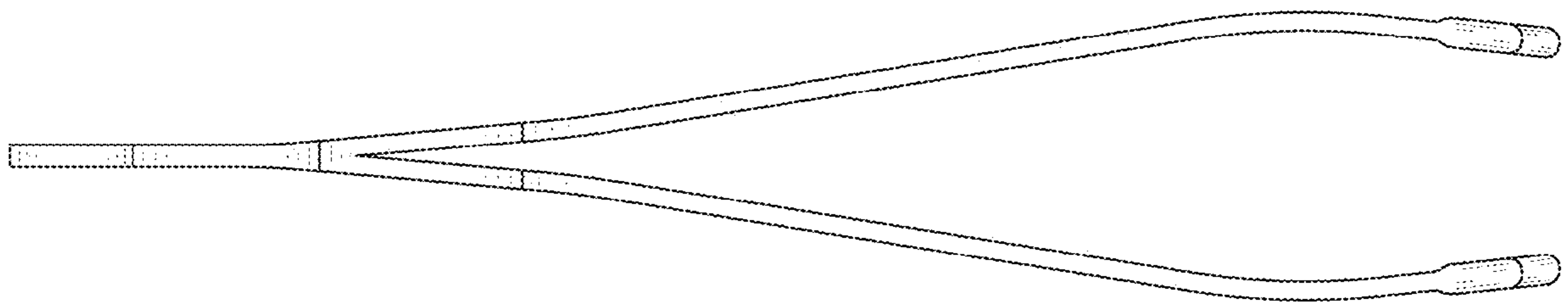


FIG. 7