



US00D961843S

(12) **United States Design Patent**
Sung et al.

(10) **Patent No.:** **US D961,843 S**

(45) **Date of Patent:** **** Aug. 23, 2022**

(54) **HAIR DRYER**

(71) Applicant: **IM Co., Ltd.**, Jeollabuk-do (KR)

(72) Inventors: **Yeol Gyu Sung**, Jeollabuk-do (KR); **Ye
Seul Kim**, Jeollabuk-do (KR)

(73) Assignee: **IM Co., Ltd.**, Jeollabuk-Do (KR)

(**) Term: **15 Years**

(21) Appl. No.: **29/757,202**

(22) Filed: **Nov. 4, 2020**

(51) **LOC (13) Cl.** **28-03**

(52) **U.S. Cl.**
USPC **D28/13**

(58) **Field of Classification Search**
USPC D28/12-19; D8/29.1
CPC A45D 20/00; A45D 20/04; A45D 20/08;
A45D 20/10; A45D 20/12; A45D
2020/128

See application file for complete search history.

(56) **References Cited**

U.S. PATENT DOCUMENTS

D232,128 S *	7/1974	Rizzuto	D28/13
D237,840 S *	11/1975	Rawson	D28/13
D239,885 S *	5/1976	Leung	D28/13
D240,969 S *	8/1976	Fahnstrom	D28/13

D243,418 S *	2/1977	Wolff	D28/13
D248,169 S *	6/1978	Yamamoto	D28/13
D290,528 S *	6/1987	Muller	D28/13
D353,224 S *	12/1994	Rizzuto, Jr.	D28/13
D369,434 S *	4/1996	LeCompte, Sr.	D28/13
D613,569 S *	4/2010	Steinel	D8/29.1
D832,509 S *	10/2018	Kan	D28/18
D893,965 S *	8/2020	De Lay	D8/29.1
D909,676 S *	2/2021	Santos	D28/13
D942,072 S *	1/2022	Kan	D28/13

* cited by examiner

Primary Examiner — Zenia I Bennett

(74) *Attorney, Agent, or Firm* — The PL Law Group,
PLLC

(57) **CLAIM**

The ornamental design for a hair dryer, as shown and described herein.

DESCRIPTION

FIG. 1 is a perspective view of a hair dryer of present invention;

FIG. 2 is a front view thereof;

FIG. 3 is a rear view thereof;

FIG. 4 is a left side view thereof;

FIG. 5 is a right side view thereof;

FIG. 6 is top view thereof;

FIG. 7 is a bottom view thereof; and,

FIG. 8 is a exploded perspective view thereof.

1 Claim, 8 Drawing Sheets

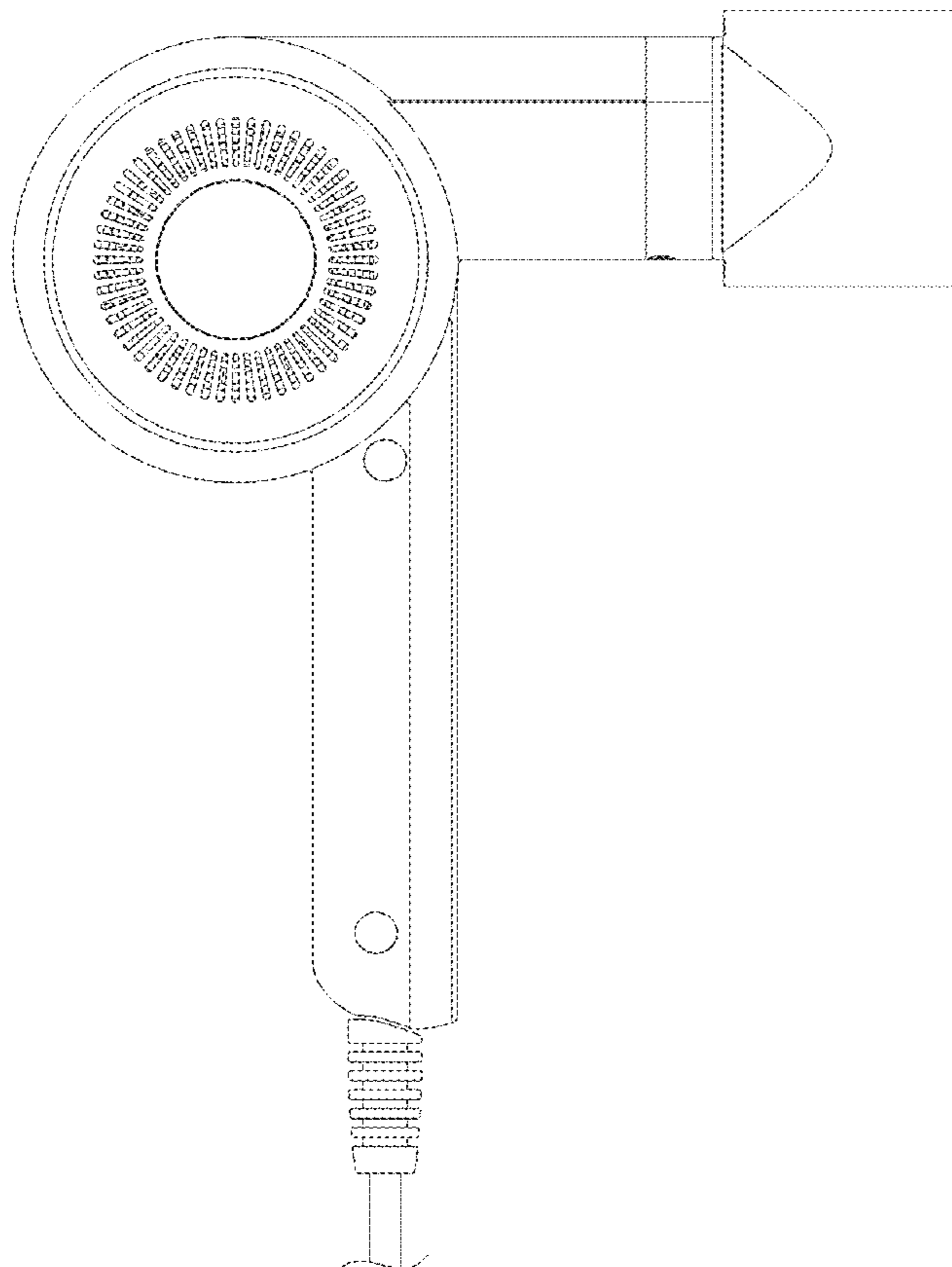


FIG. 1

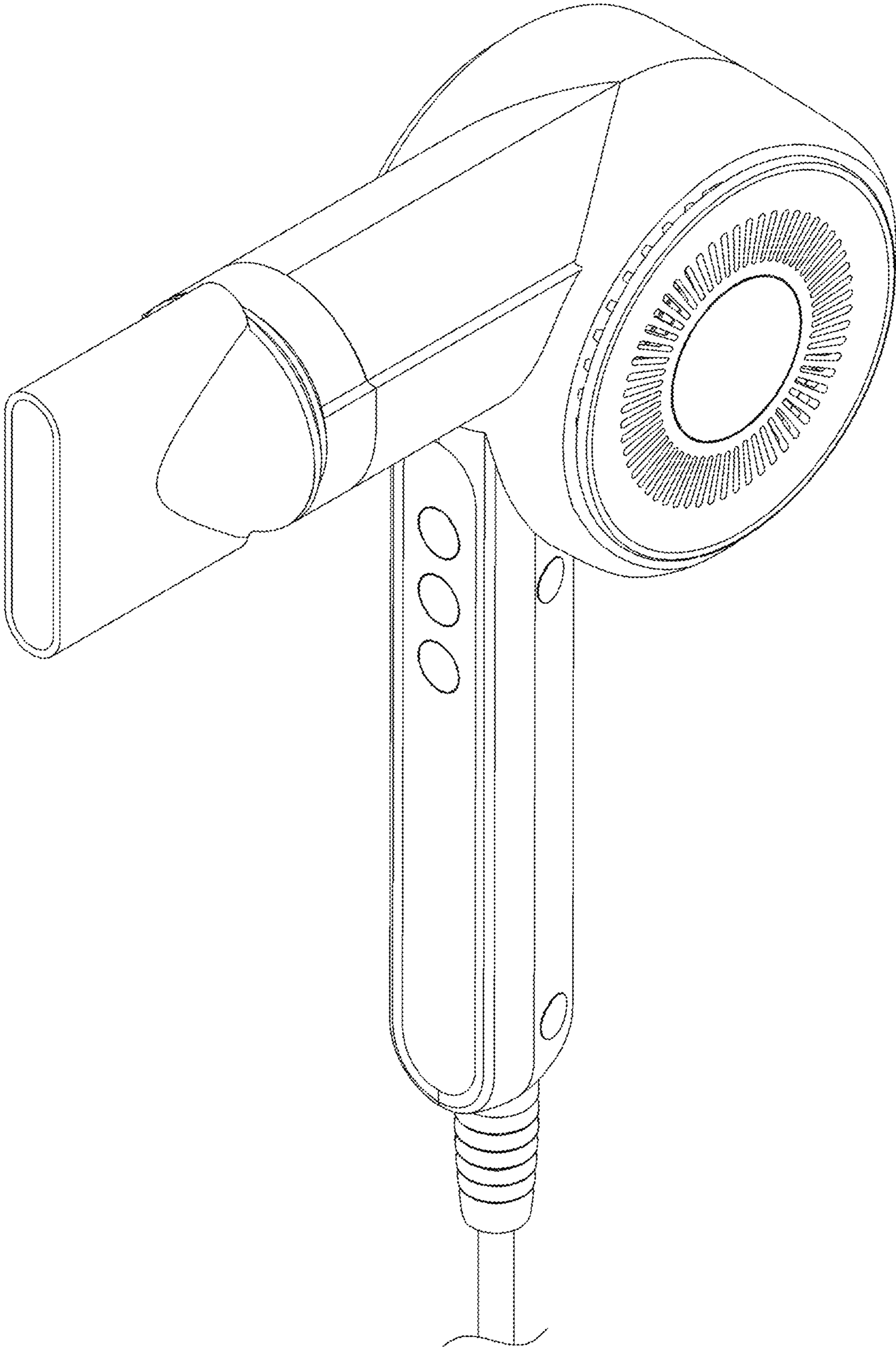


FIG. 2

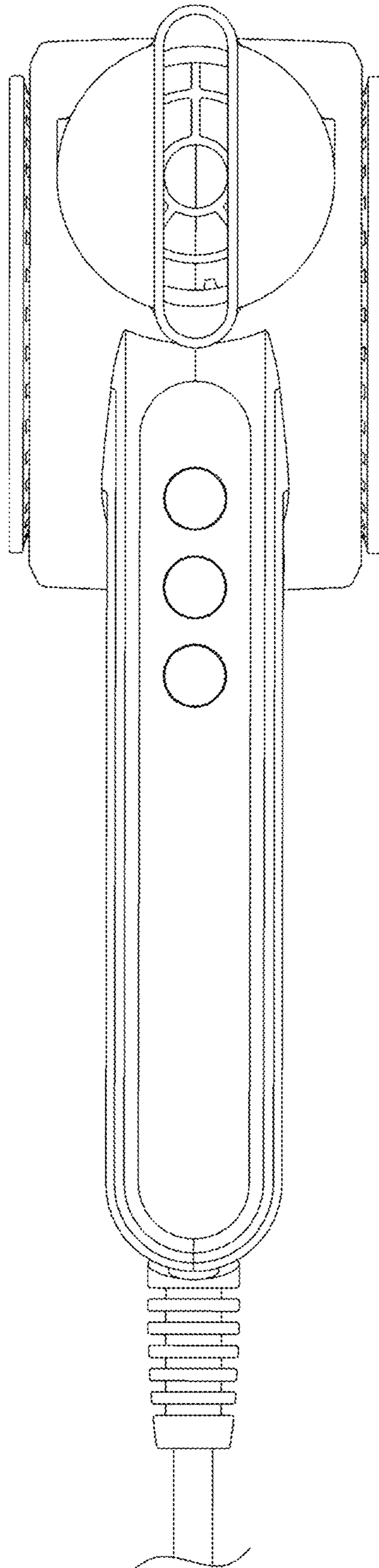


FIG. 3

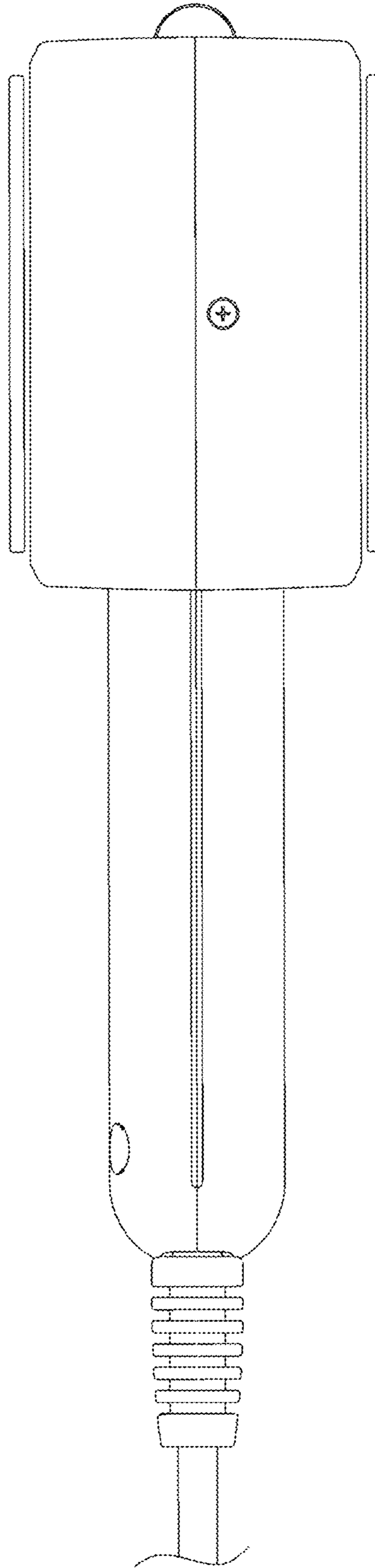


FIG. 4

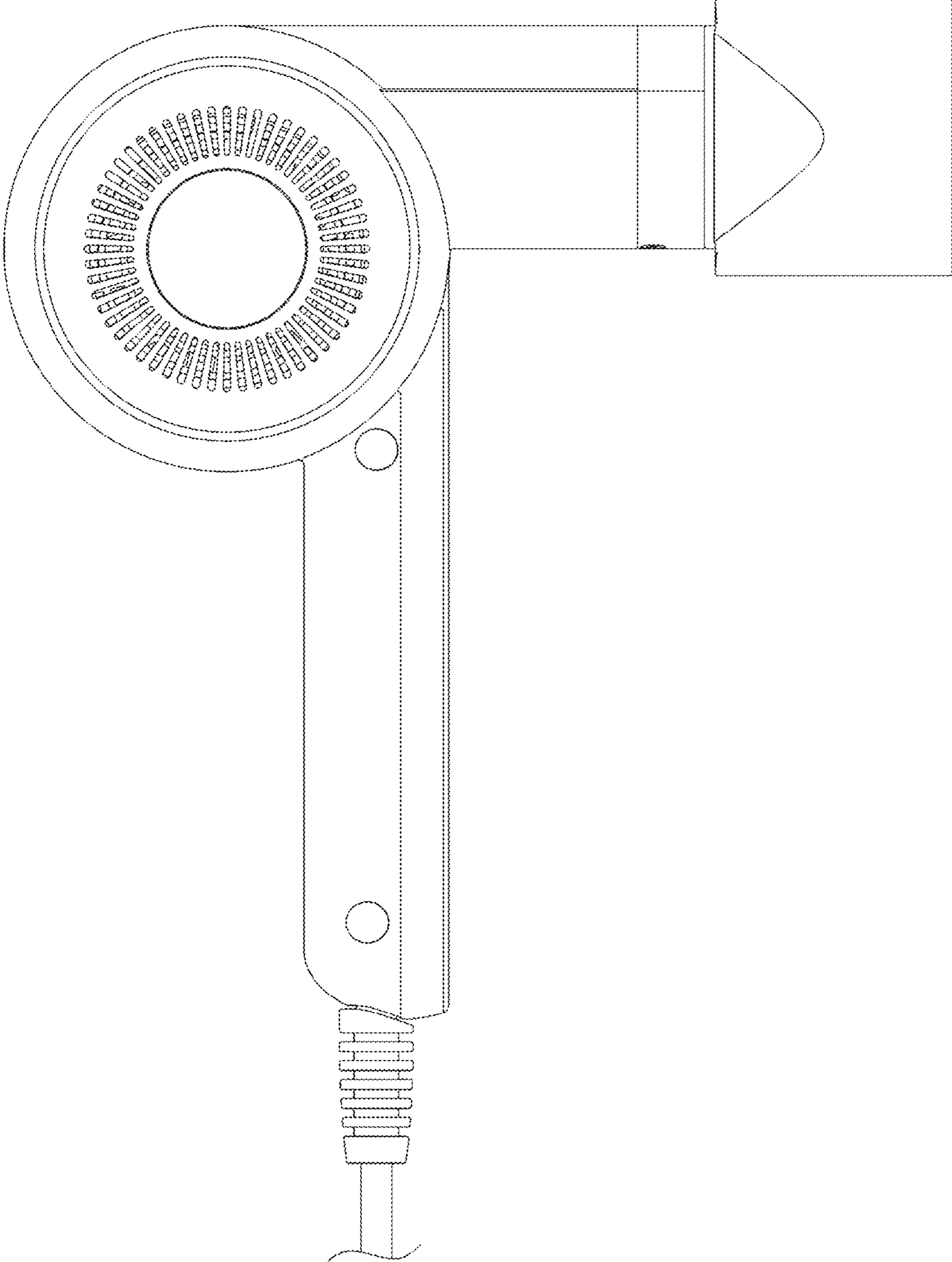


FIG. 5

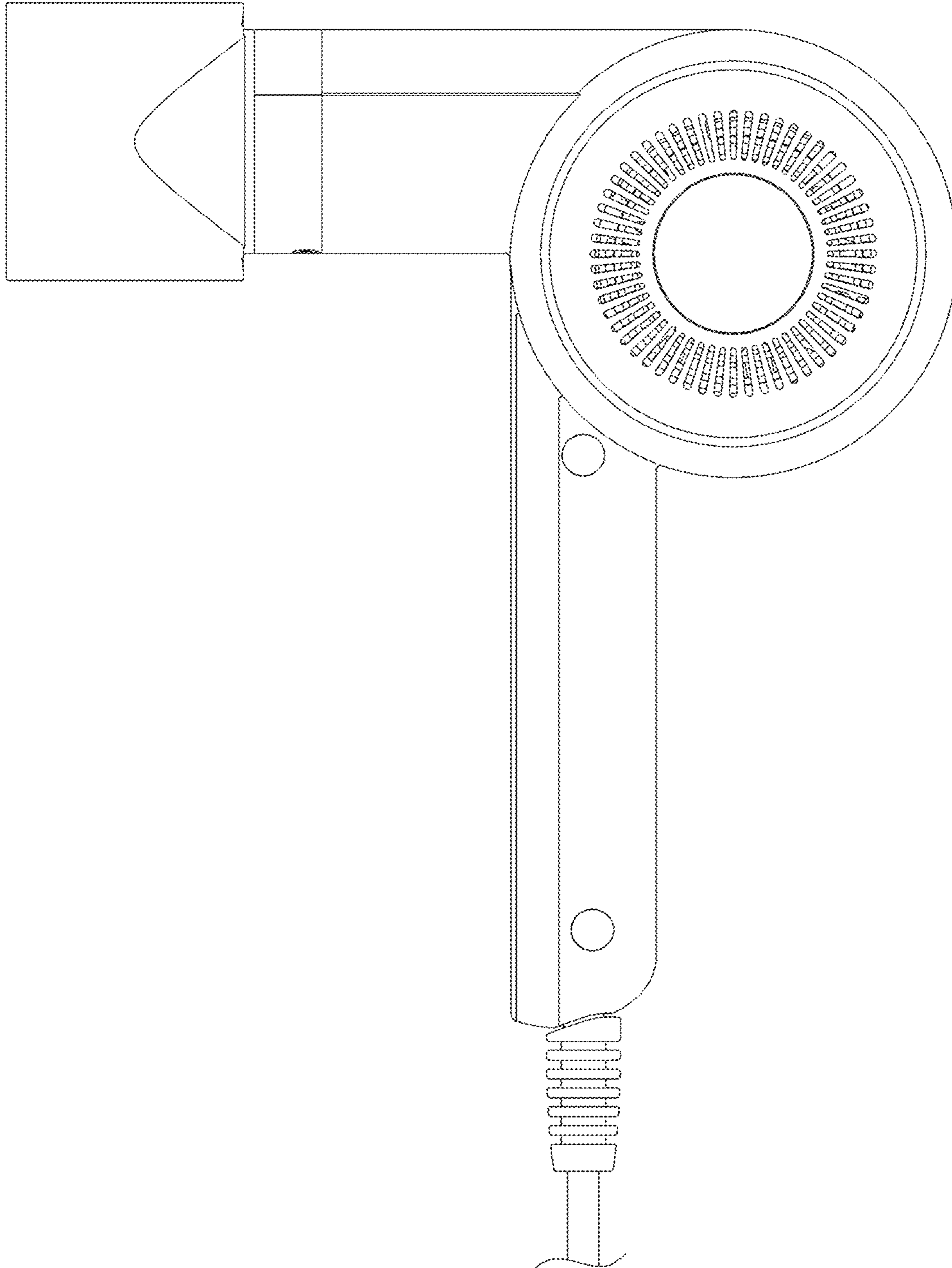


FIG. 6

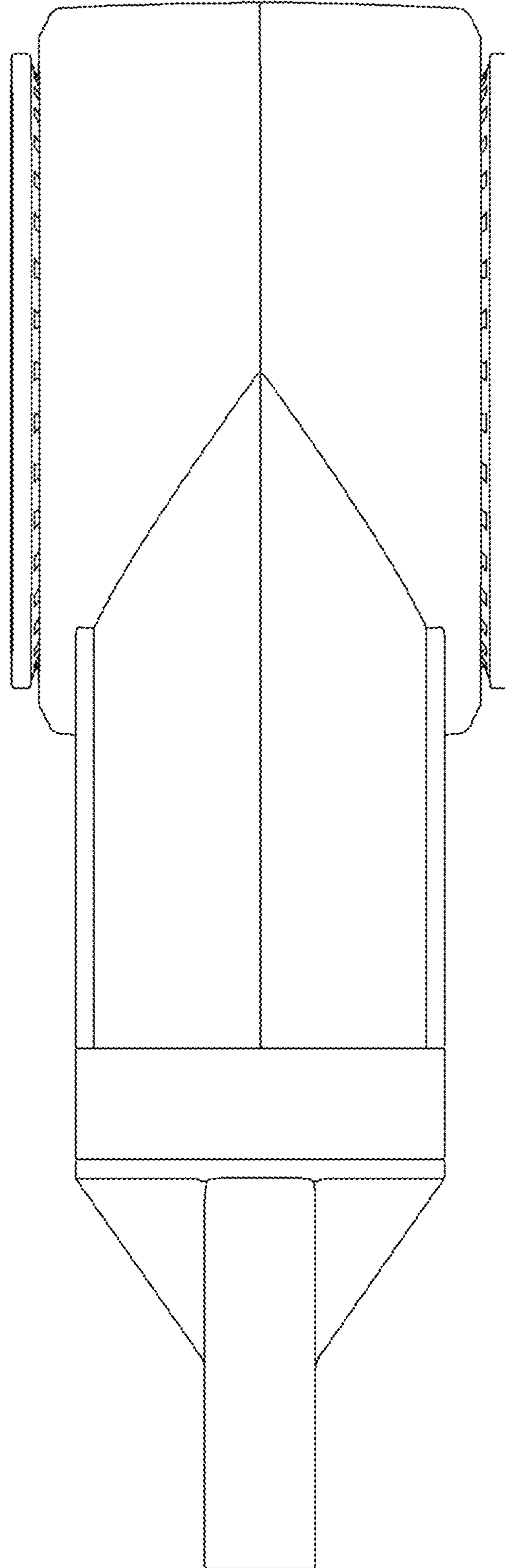


FIG. 7

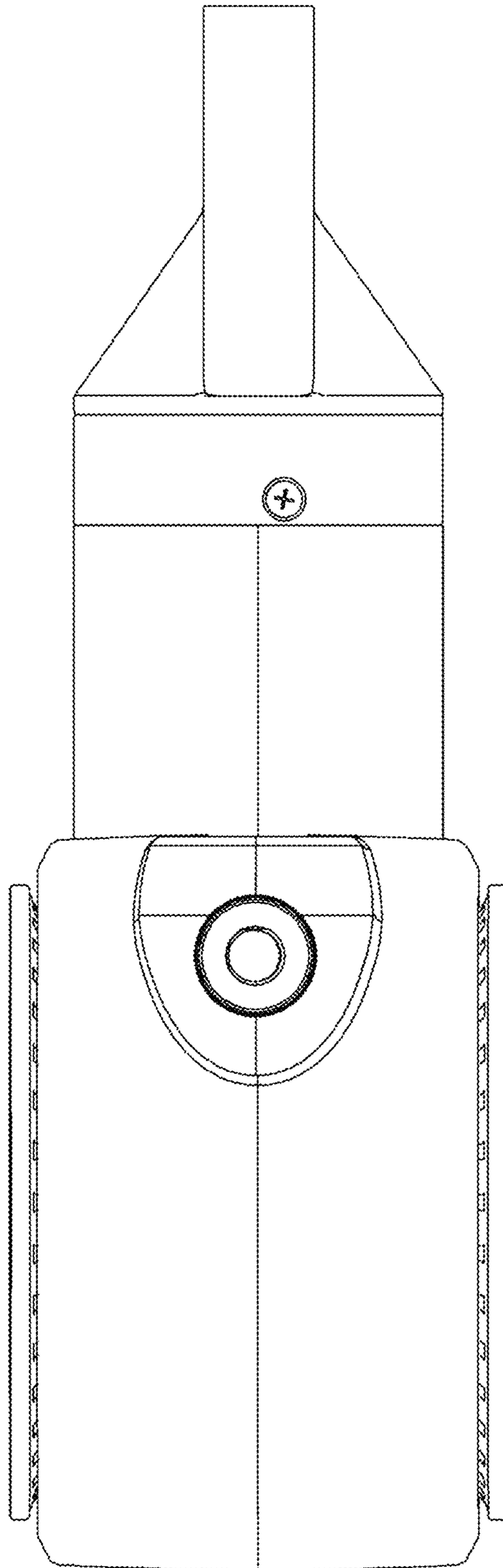


FIG.8

