



US00D961842S

(12) **United States Design Patent** (10) **Patent No.:** **US D961,842 S**
Ishida et al. (45) **Date of Patent:** **** Aug. 23, 2022**

(54) **COSMETIC APPLICATOR**

(71) Applicant: **TOKIWA CORPORATION**, Gifu (JP)

(72) Inventors: **Yukikazu Ishida**, Saitama (JP);
Hironari Kobayashi, Saitama (JP)

(73) Assignee: **TOKIWA CORPORATION**, Gifu (JP)

(**) Term: **15 Years**

(21) Appl. No.: **29/826,789**

(22) Filed: **Feb. 15, 2022**

Related U.S. Application Data

(62) Division of application No. 35/510,866, filed on May 29, 2020 (U.S. filing date under 35 U.S.C. 384), and having an international filing date of May 29, 2020, now Pat. No. Des. 954,343.

(30) **Foreign Application Priority Data**

Dec. 17, 2019 (JP) 2019-027989
Dec. 17, 2019 (JP) 2019-027993
Dec. 17, 2019 (JP) 2019-027994

(51) **LOC (13) Cl.** **28-03**

(52) **U.S. Cl.**
USPC **D28/7**

(58) **Field of Classification Search**
USPC D28/7, 8, 20-22, 30-31, 76, 85, 99;
D19/192, 115-186, 187-191
CPC ... B43K 8/02; B43K 8/03; B43K 8/04; B43K
8/12
See application file for complete search history.

(56) **References Cited**

U.S. PATENT DOCUMENTS

D241,343 S * 9/1976 Harmon D19/59
D370,088 S * 5/1996 Burns D28/7
D379,256 S 5/1997 Tipp

(Continued)

Primary Examiner — Khawaja Anwar

(74) *Attorney, Agent, or Firm* — Leydig Voit & Mayer, Ltd.

(57) **CLAIM**

The ornamental design for a cosmetic applicator, as shown and described.

DESCRIPTION

FIG. 1 is a perspective view of a cosmetic applicator showing the first embodiment our new design;

FIG. 2 is a front elevation view;

FIG. 3 is a back-elevation view;

FIG. 4 is a top plan view;

FIG. 5 is a bottom plan view;

FIG. 6 is a left side elevation view;

FIG. 7 is a right-side elevation view;

FIG. 8 is an enlarged partial section view;

FIG. 9 is a perspective view of a cosmetic applicator showing the second embodiment our new design;

FIG. 10 is a front elevation view;

FIG. 11 is a back-elevation view;

FIG. 12 is a top plan view;

FIG. 13 is a bottom plan view;

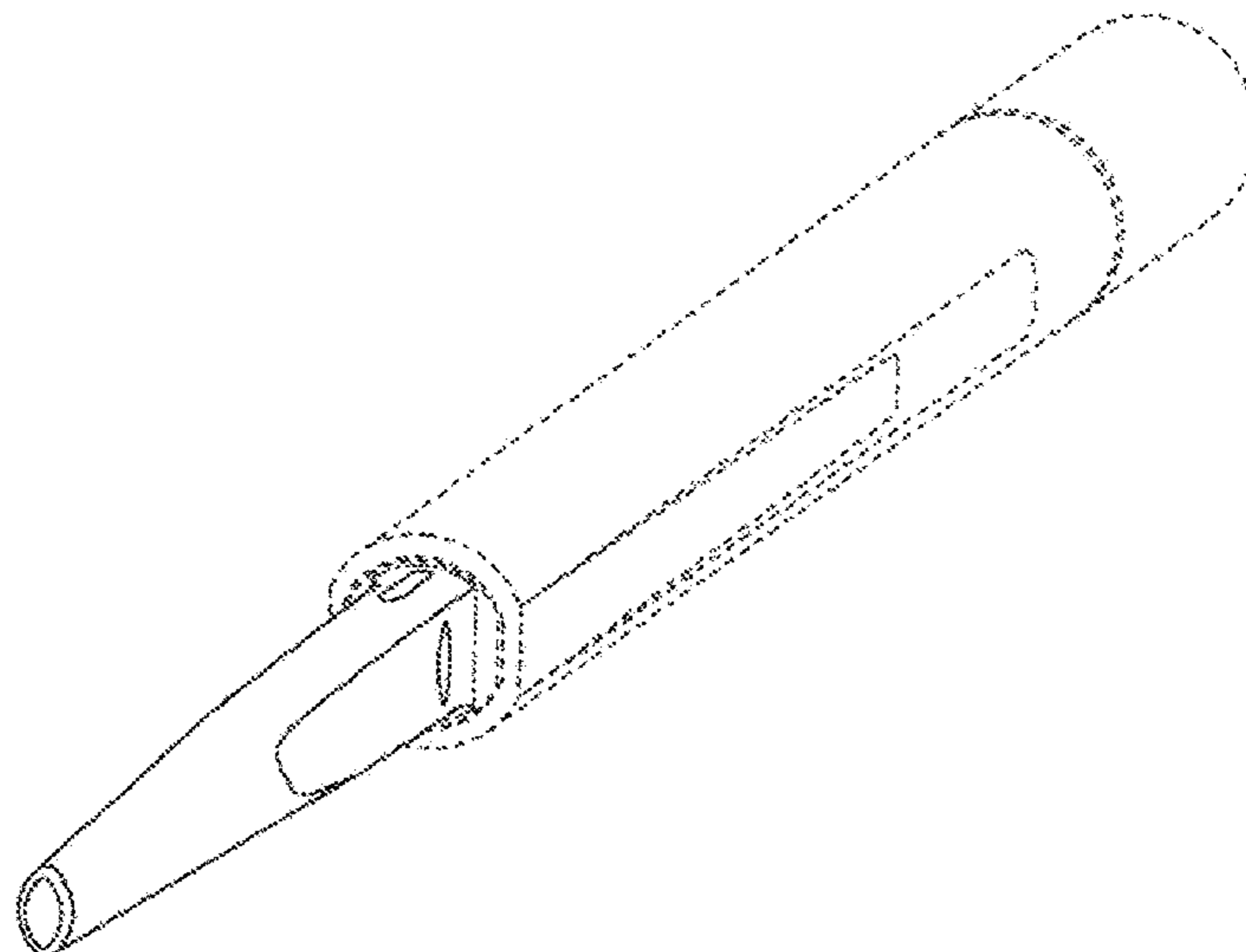
FIG. 14 is a left side elevation view;

FIG. 15 is a right-side elevation view; and,

FIG. 16 is an enlarged partial section view.

The article is a container for a rod-shaped cosmetic; the article holds the cosmetic in a manner such that the cosmetic may be projected and contained; the parts shown in dotted lines do not form part of the claimed design; the broken lines having alternating long and short segments define bounds of the claimed design and form no part thereof; FIG. 8 is a sectional view sectioned horizontally at the center of FIG. 2 and partially enlarged at the left part of FIG. 2; FIG. 16 is a sectional view sectioned horizontally at the center of FIG. 10 and partially enlarged at the left part of FIG. 10.

1 Claim, 16 Drawing Sheets



(56)

References Cited

U.S. PATENT DOCUMENTS

D399,253 S	10/1998	Raymond	
D580,489 S	11/2008	Ma	
D590,877 S	4/2009	Ma	
D742,589 S *	11/2015	Rizzo	D28/7
D773,730 S *	12/2016	Rizzo	D28/7
D812,294 S *	3/2018	Wilson	D28/7
D822,899 S *	7/2018	Corsi	D28/7
D876,542 S	2/2020	Van Den Broecke et al.	
D914,964 S *	3/2021	Min	D28/7
D923,871 S *	6/2021	Ashiwa	D28/7
D954,342 S *	6/2022	Kintaka	D28/7

* cited by examiner

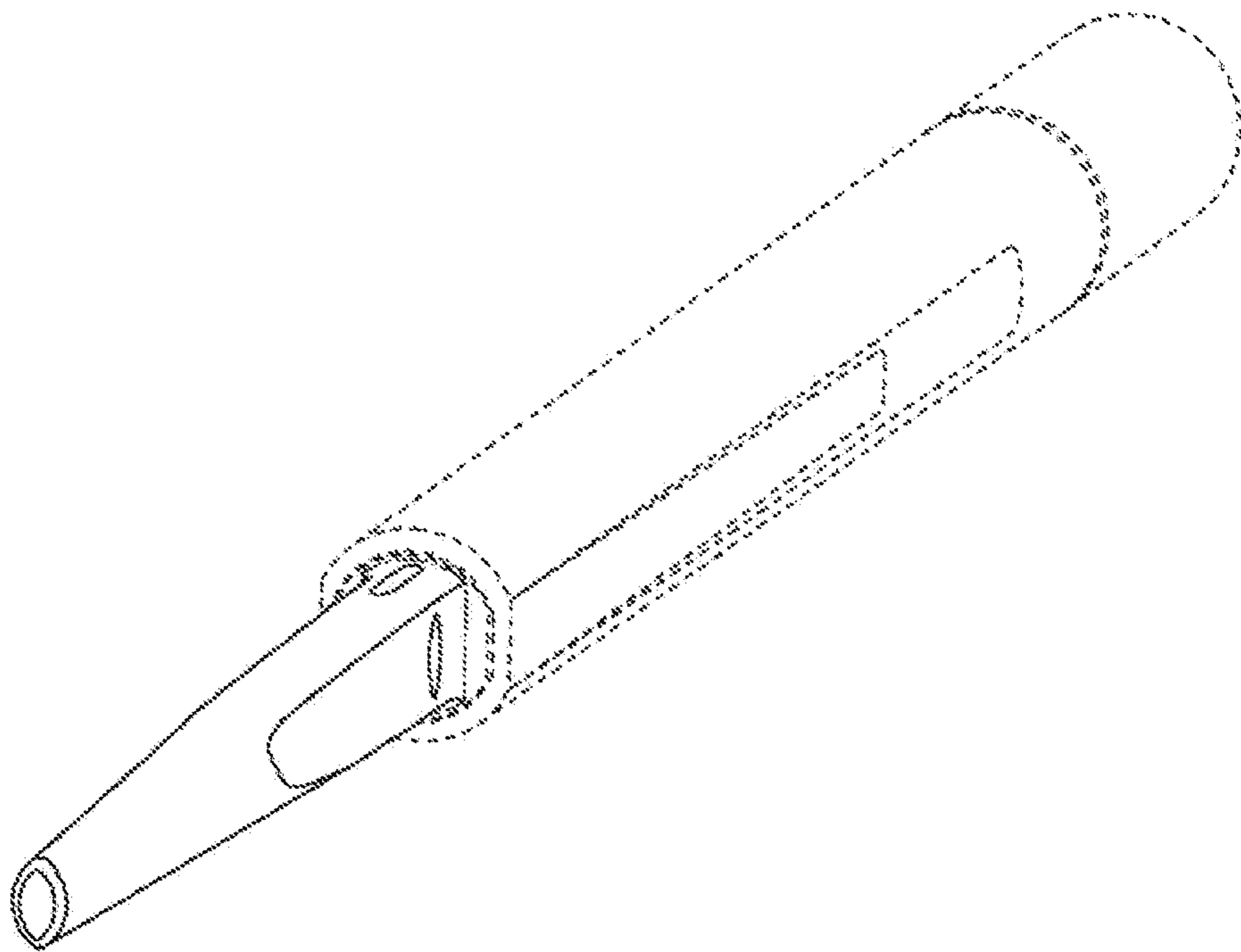


Figure 1



Figure 2



Figure 3



Figure 4



Figure 5



Figure 6



Figure 7

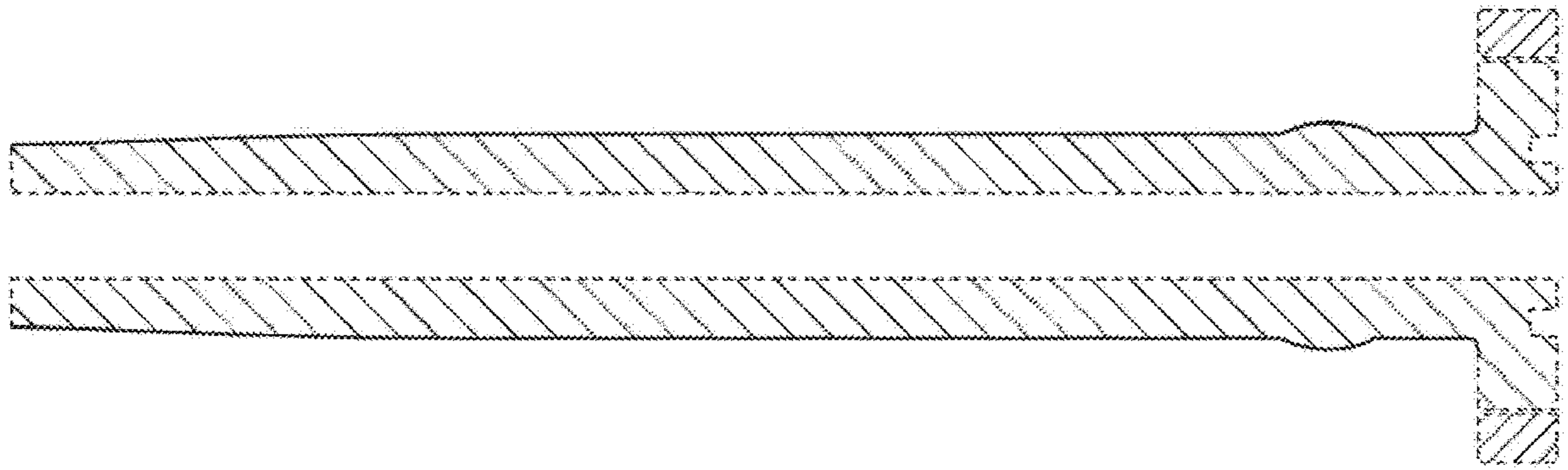


Figure 8

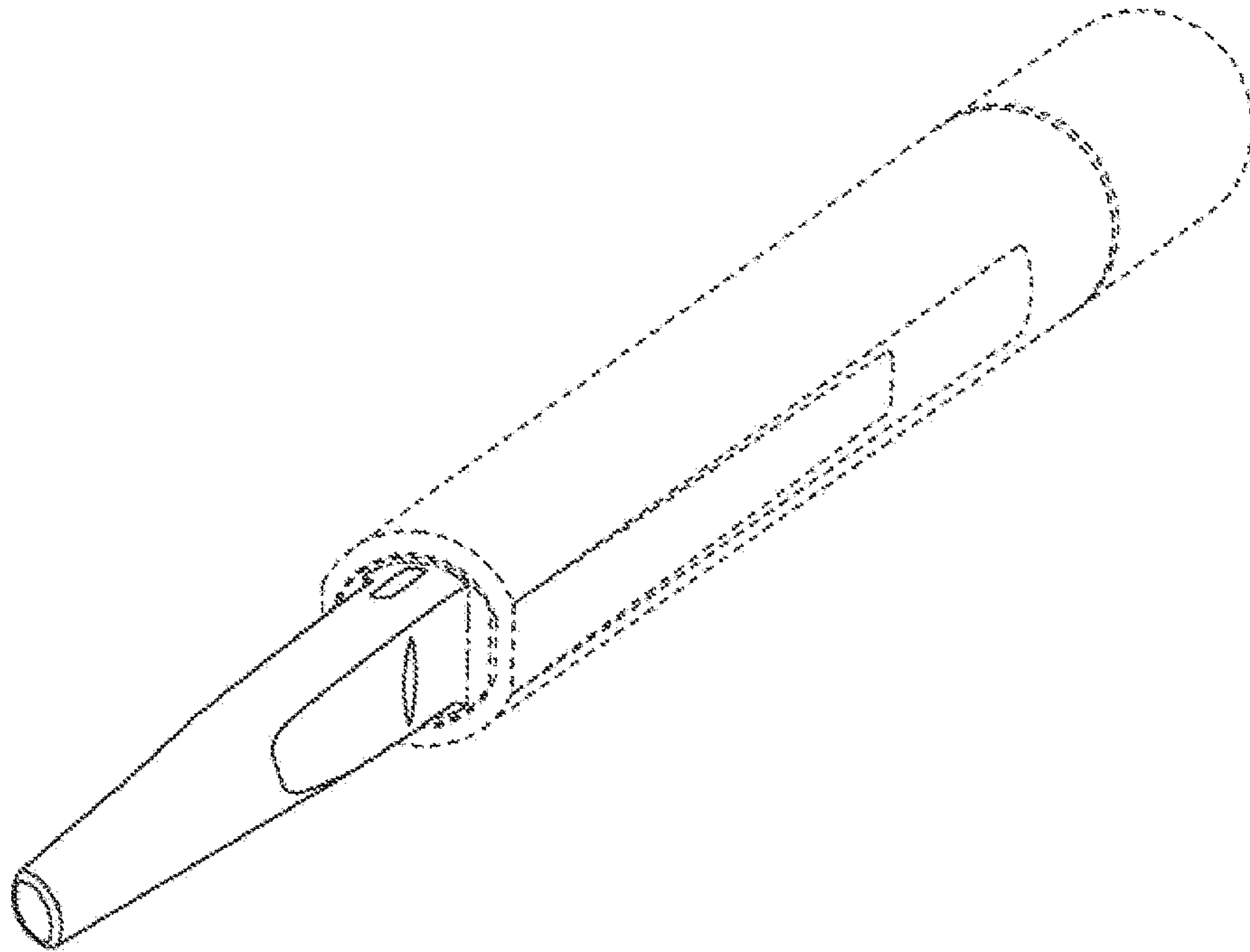


Figure 9



Figure 10

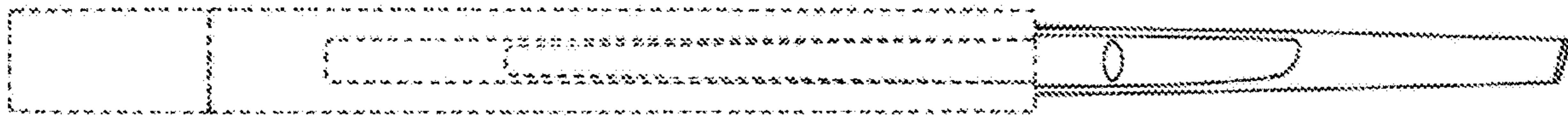


Figure 11

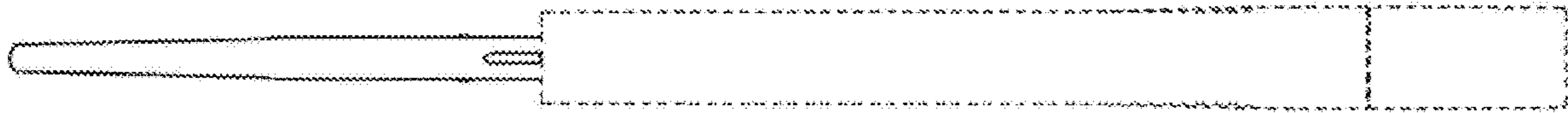


Figure 12

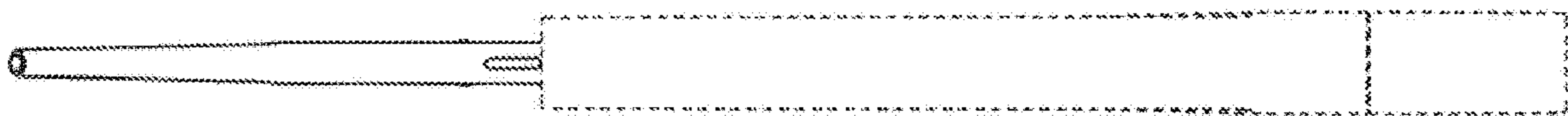


Figure 13



Figure 14



Figure 15

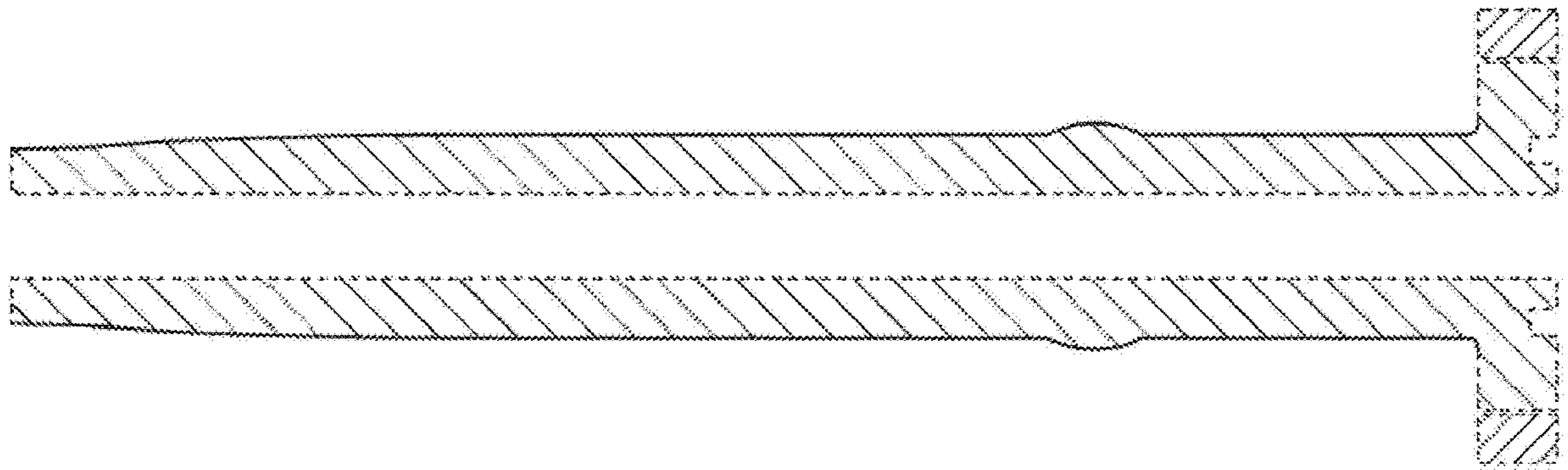


Figure 16